


April 2013
No. OCB508
REVISED EDITION-A

PARTS CATALOG

**[Model name]
<Branch box>**
[Service Ref.]

PAC-AK50BC

PAC-AK50BC

PAC-AK51BC

PAC-AK51BC

PAC-AK52BC

PAC-AK52BC

PAC-AK53BC

PAC-AK53BC

PAC-AK30BC

PAC-AK30BC

PAC-AK31BC

PAC-AK31BC

PAC-AK32BC

PAC-AK32BC

(Indispensable optional parts for MXZ-8A series and MXZ-8B series.)

Revision:

- PAC-AK53BC and PAC-AK32BC have been added in REVISED EDITION-A.
- Some descriptions have been modified.

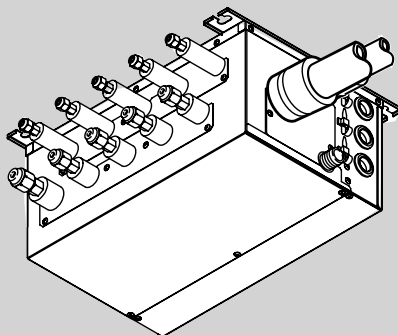
- Please void OCB508.

Note:

- RoHS compliant products have <G> mark on the spec name plate.

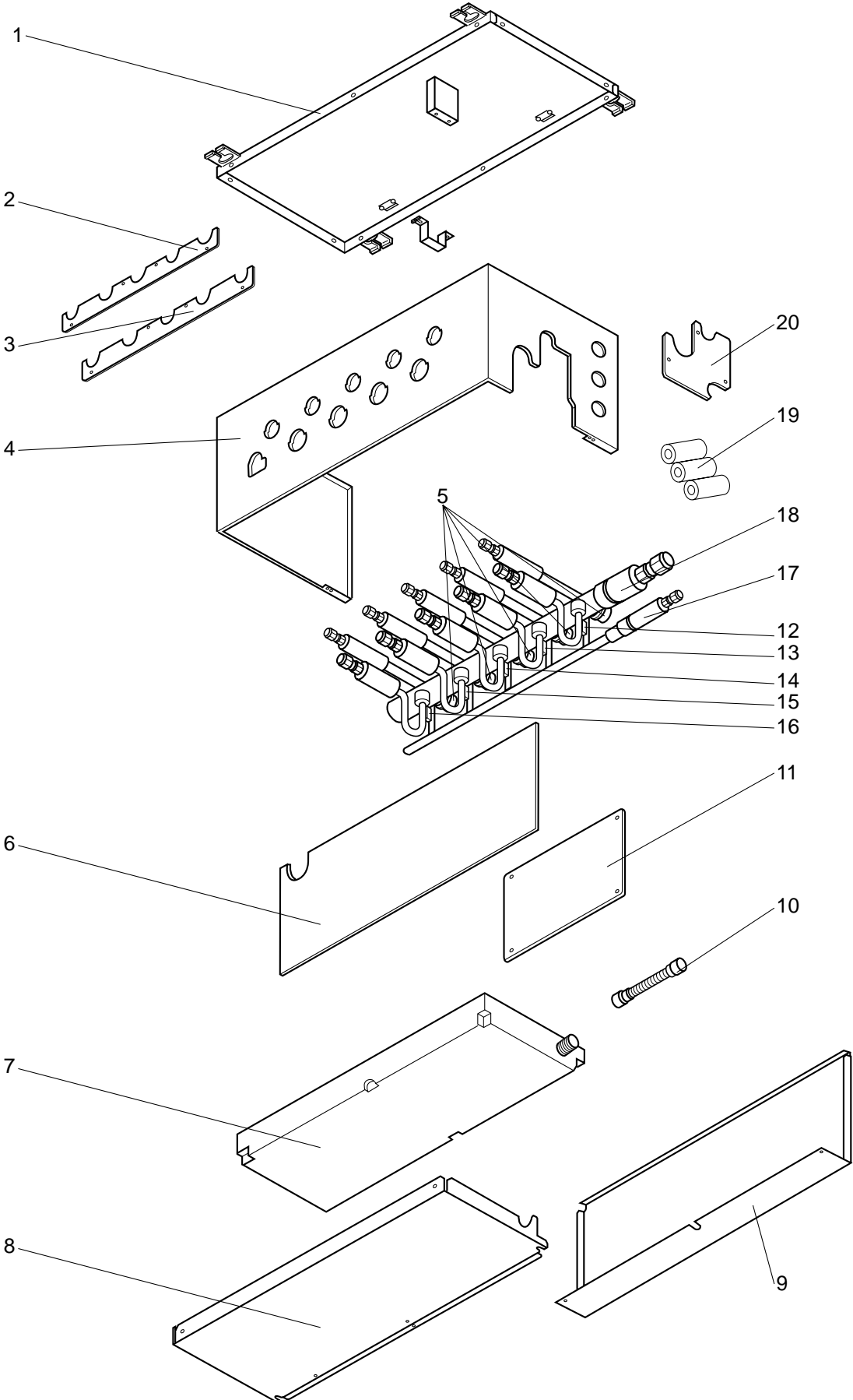
CONTENTS

1. RoHS PARTS LIST 2
2. OPTIONAL PARTS..... Back cover

SERVICE MANUAL (OCH508)

BRANCH BOX

FUNCTIONAL PARTS

PAC-AK50BC
PAC-AK51BC
PAC-AK52BC
PAC-AK53BC



RoHS PARTS LIST

Part numbers that are circled are not shown in the figure.

No.	RoHS	Part No.	Part Name	Specification	Q'ty/unit				Remarks (Drawing No.)	Wiring Diagram Symbol
					PAC-AK					
					50BC	51BC	52BC	53BC		
1	G	R01 E22 641	TOP PANEL		1	1	1	1		
2	G	R01 E11 689	COVER-L		1	1	1	1		
3	G	R01 E13 689	COVER-G		1	1	1	1		
4	G	R01 E35 661	SIDE PANEL		1	1	1	1		
5	G	R01 E36 242	LEV COIL		5	5	5	5		LEV-A~E
6		-	SEPARATOR		1	1	1	1	(RG02N539G08)	
7	G	R01 E33 529	DRAIN PAN		1	1	1	1		
8	G	R01 E02 669	UNDER PANEL		1					
	G	T7W E02 669	UNDER PANEL			1	1	1		
9	G	R01 E16 689	CONTROLLER COVER		1					
	G	T7W E11 689	CONTROLLER COVER			1	1	1		
10	G	R01 E07 527	DRAIN HOSE		1	1	1	1		
11	G	R01 H80 310	CONTROLLER BOARD		1					B.C
	G	T7W F01 310	CONTROLLER BOARD			1	1	1		B.C
12	G	R01 H20 202	THERMISTOR-A		1	1	1	1		TH-A
13	G	R01 H21 202	THERMISTOR-B		1	1	1	1		TH-B
14	G	R01 H22 202	THERMISTOR-C		1	1	1	1		TH-C
15	G	R01 H23 202	THERMISTOR-D		1	1	1	1		TH-D
16	G	R01 H24 202	THERMISTOR-E		1	1	1	1		TH-E
17	G	R01 E98 401	LEV ASSY		1	1	1	1		
18	G	R01 E09 419	HEADER-G ASSY		1	1	1	1		
19	G	R01 E01 660	PIPE COVER (SET)		1	1	1	1		
20	G	R01 E15 689	COVER-U		1	1	1	1		
21	G	R01 E31 246	TERMINAL BLOCK	3P(S1, S2, S3)	1	1	1	1		TB2B
22	G	R01 E20 246	TERMINAL BLOCK	3P(S1, S2, S3)	5	5	5	5		TB3A~E
23	G	R01 E06 239	FUSE	250V 6.3A	1					F1
	G	R01 E14 239	FUSE	250V 6.3A		1	1	1		F1

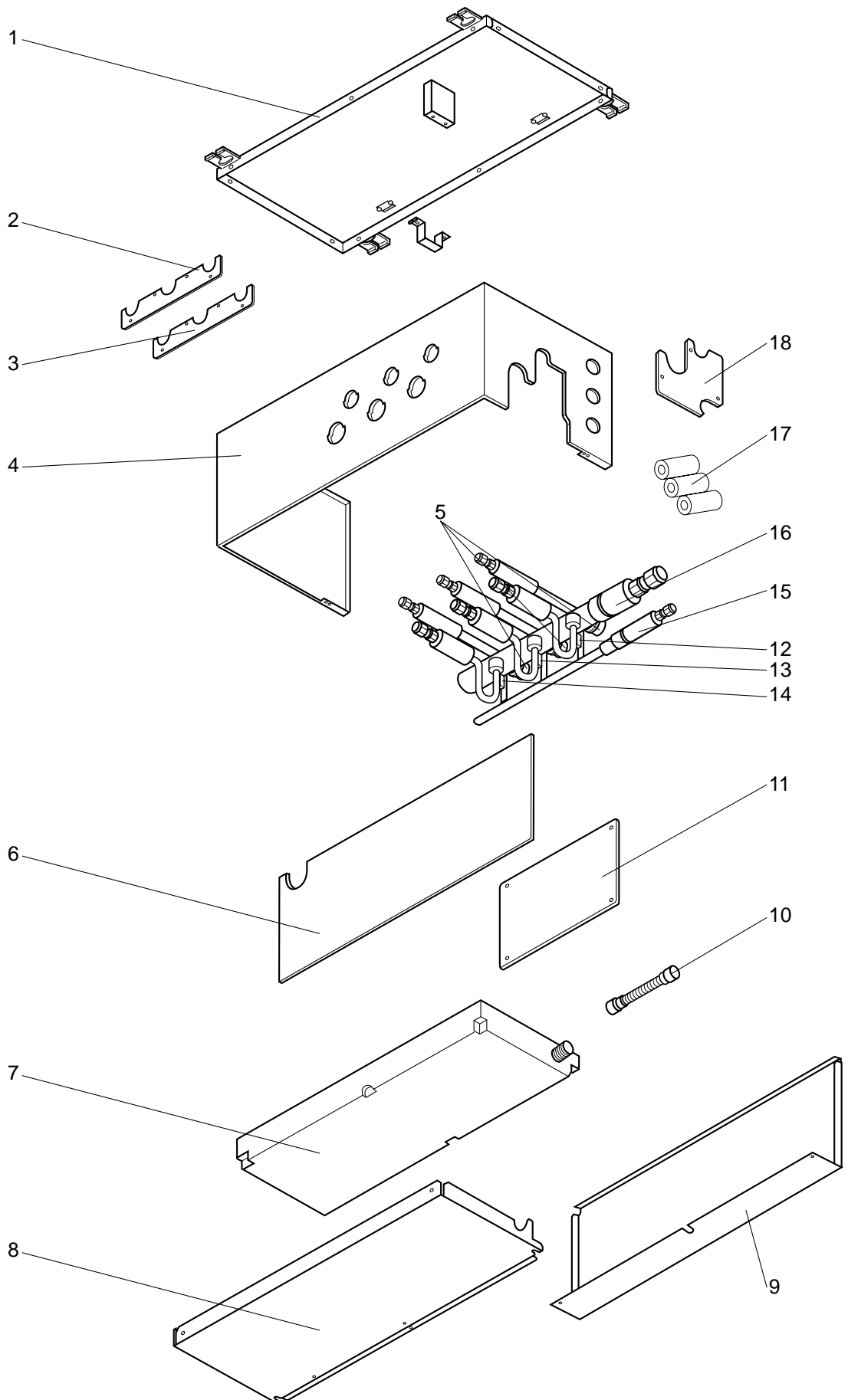
RoHS PARTS LIST

FUNCTIONAL PARTS

PAC-AK30BC

PAC-AK31BC

PAC-AK32BC



RoHS PARTS LIST

Part numbers that are circled are not shown in the figure.

No.	RoHS	Part No.	Part Name	Specification	Q'ty/unit			Remarks (Drawing No.)	Wiring Diagram Symbol
					PAC-AK				
					30BC	31BC	32BC		
1	G	R01 E22 641	TOP PANEL		1	1	1		
2	G	R01 E12 689	COVER-L		1	1	1		
3	G	R01 E14 689	COVER-G		1	1	1		
4	G	R01 E36 661	SIDE PANEL		1	1	1		
5	G	R01 E36 242	LEV COIL		3	3	3		LEV-A-C
6		-	SEPARATOR		1	1	1	(RG02N539G08)	
7	G	R01 E33 529	DRAIN PAN		1	1	1		
8	G	R01 E02 669	UNDER PANEL		1				
	G	T7W E02 669	UNDER PANEL			1	1		
9	G	R01 E16 689	CONTROLLER COVER		1				
	G	T7W E11 689	CONTROLLER COVER			1	1		
10	G	R01 E07 527	DRAIN HOSE		1	1	1		
11	G	R01 H80 310	CONTROLLER BOARD		1				B.C
	G	T7W F01 310	CONTROLLER BOARD			1	1		B.C
12	G	R01 H20 202	THERMISTOR-A		1	1	1		TH-A
13	G	R01 H21 202	THERMISTOR-B		1	1	1		TH-B
14	G	R01 H22 202	THERMISTOR-C		1	1	1		TH-C
15	G	R01 E99 401	LEV ASSY		1	1	1		
16	G	R01 E10 419	HEADER-G ASSY		1	1	1		
17	G	R01 E01 660	PIPE COVER (SET)		1	1	1		
18	G	R01 E15 689	COVER-U		1	1	1		
①9	G	R01 E31 246	TERMINAL BLOCK	3P(S1, S2, S3)	1	1	1		TB2B
②0	G	R01 E20 246	TERMINAL BLOCK	3P(S1, S2, S3)	3	3	3		TB3A~E
②1	G	R01 E06 239	FUSE	250V 6.3A	1				F1
	G	R01 E14 239	FUSE	250V 6.3A		1	1		F1

FOR BRANCH BOX

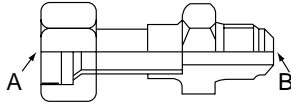
Different-diameter joint (Optional parts)

<Reference>

Conversion formula

Part No.	Connected pipes diameter	Diameter A	Diameter B
	mm	mm	mm
MAC-A454JP	$\phi 9.52 \rightarrow \phi 12.7$	$\phi 9.52$	$\phi 12.7$
MAC-A455JP	$\phi 12.7 \rightarrow \phi 9.52$	$\phi 12.7$	$\phi 9.52$
MAC-A456JP	$\phi 12.7 \rightarrow \phi 15.88$	$\phi 12.7$	$\phi 15.88$
PAC-493PI	$\phi 6.35 \rightarrow \phi 9.52$	$\phi 6.35$	$\phi 9.52$
PAC-SG76RJ-E	$\phi 9.52 \rightarrow \phi 15.88$	$\phi 9.52$	$\phi 15.88$

1/4 inch	$\phi 6.35\text{mm}$
3/8 inch	$\phi 9.52\text{mm}$
1/2 inch	$\phi 12.7\text{mm}$
5/8 inch	$\phi 15.88\text{mm}$
3/4 inch	$\phi 19.05\text{mm}$



Item	Part No.
Special optional cover for outdoor installation of branch box	PAC-AK350CVR-E

MITSUBISHI ELECTRIC CORPORATION

HEAD OFFICE : TOKYO BLDG., 2-7-3, MARUNOUCHI, CHIYODA-KU, TOKYO100-8310, JAPAN