

SERVICE PARTS LIST FOR MITSUBISHI ELECTRIC PACKAGED AIR-CONDITIONERS

Series : PEFY-P·VMS1-ER2.TH
PEFY-P·VMS1L-ER1.TH

REVISED

Jan. 2017

BWE1141D

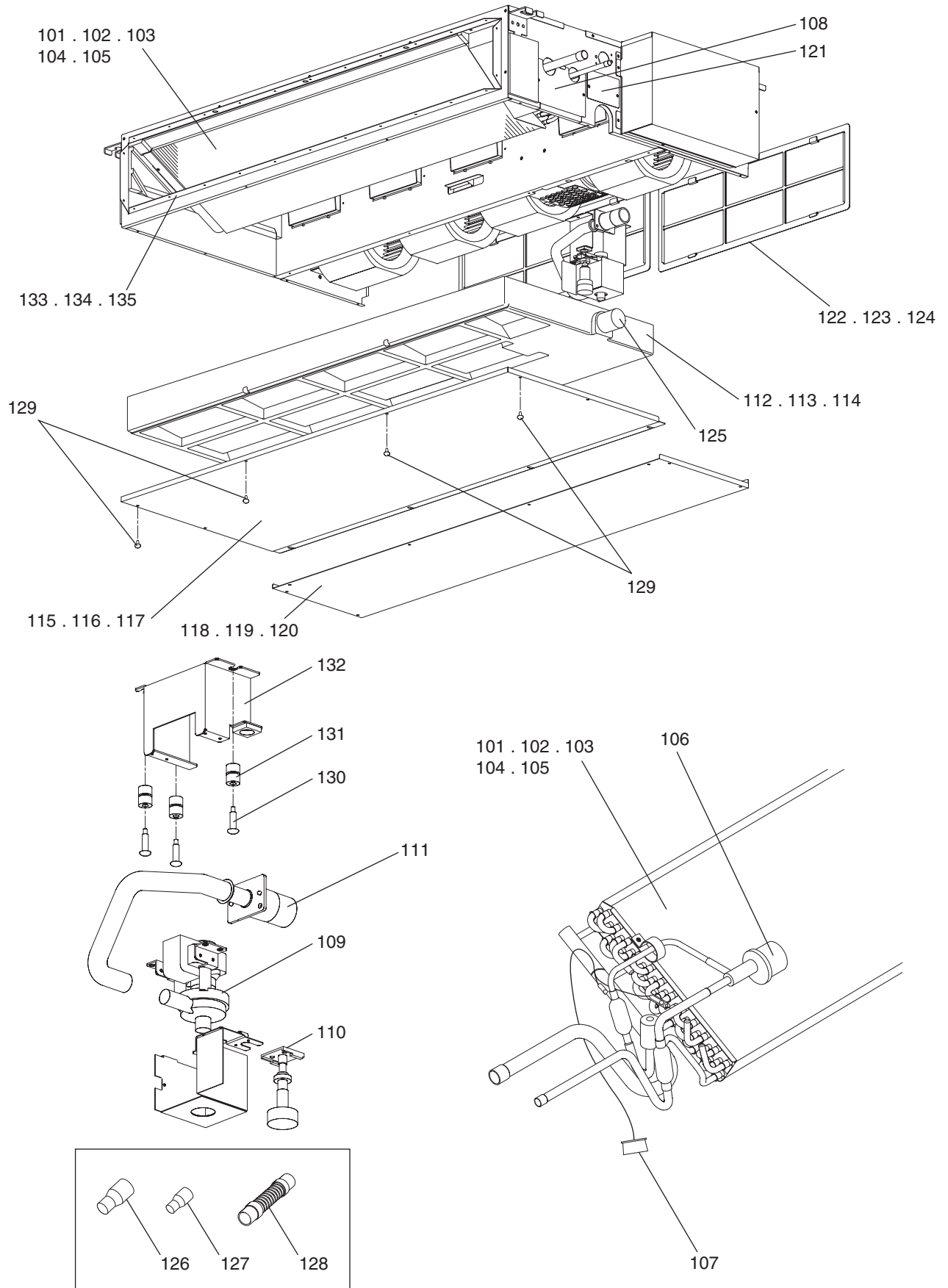
INDEX

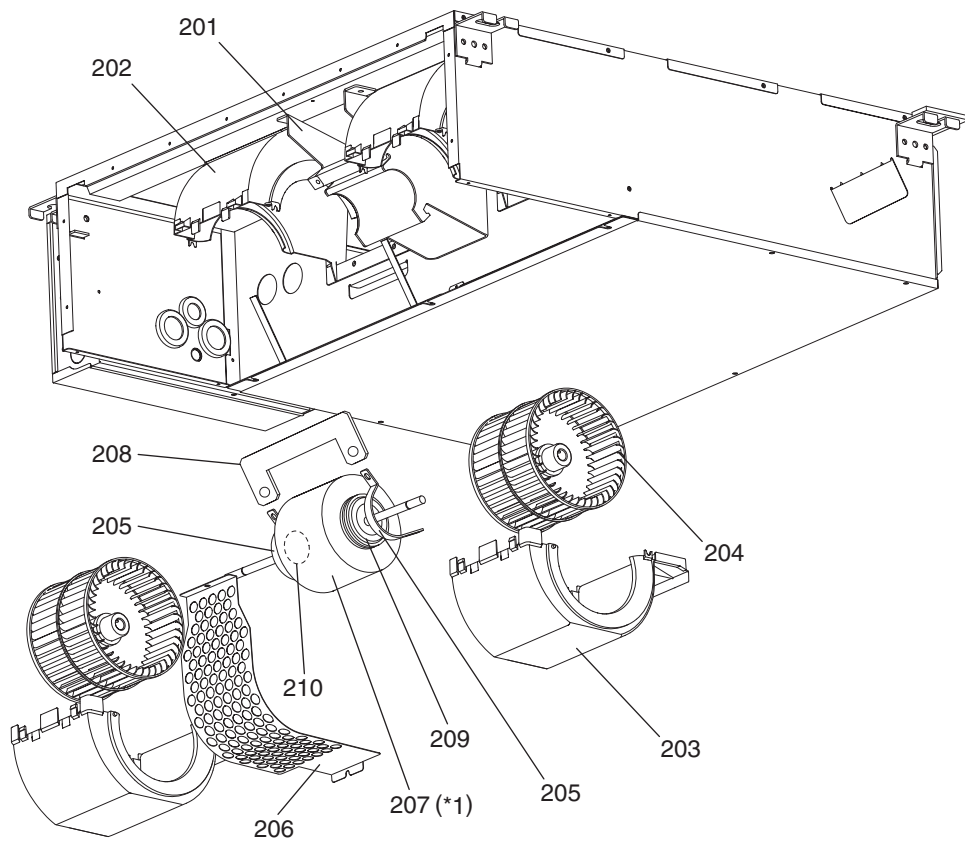
PEFY-P15VMS1-ER2.TH	PEFY-P15VMS1L-ER1.TH
PEFY-P20VMS1-ER2.TH	PEFY-P20VMS1L-ER1.TH
PEFY-P25VMS1-ER2.TH	PEFY-P25VMS1L-ER1.TH
PEFY-P32VMS1-ER2.TH	PEFY-P32VMS1L-ER1.TH
PEFY-P40VMS1-ER2.TH	PEFY-P40VMS1L-ER1.TH
PEFY-P50VMS1-ER2.TH	PEFY-P50VMS1L-ER1.TH
PEFY-P63VMS1-ER2.TH	PEFY-P63VMS1L-ER1.TH

Part information update day : 2017/01/17

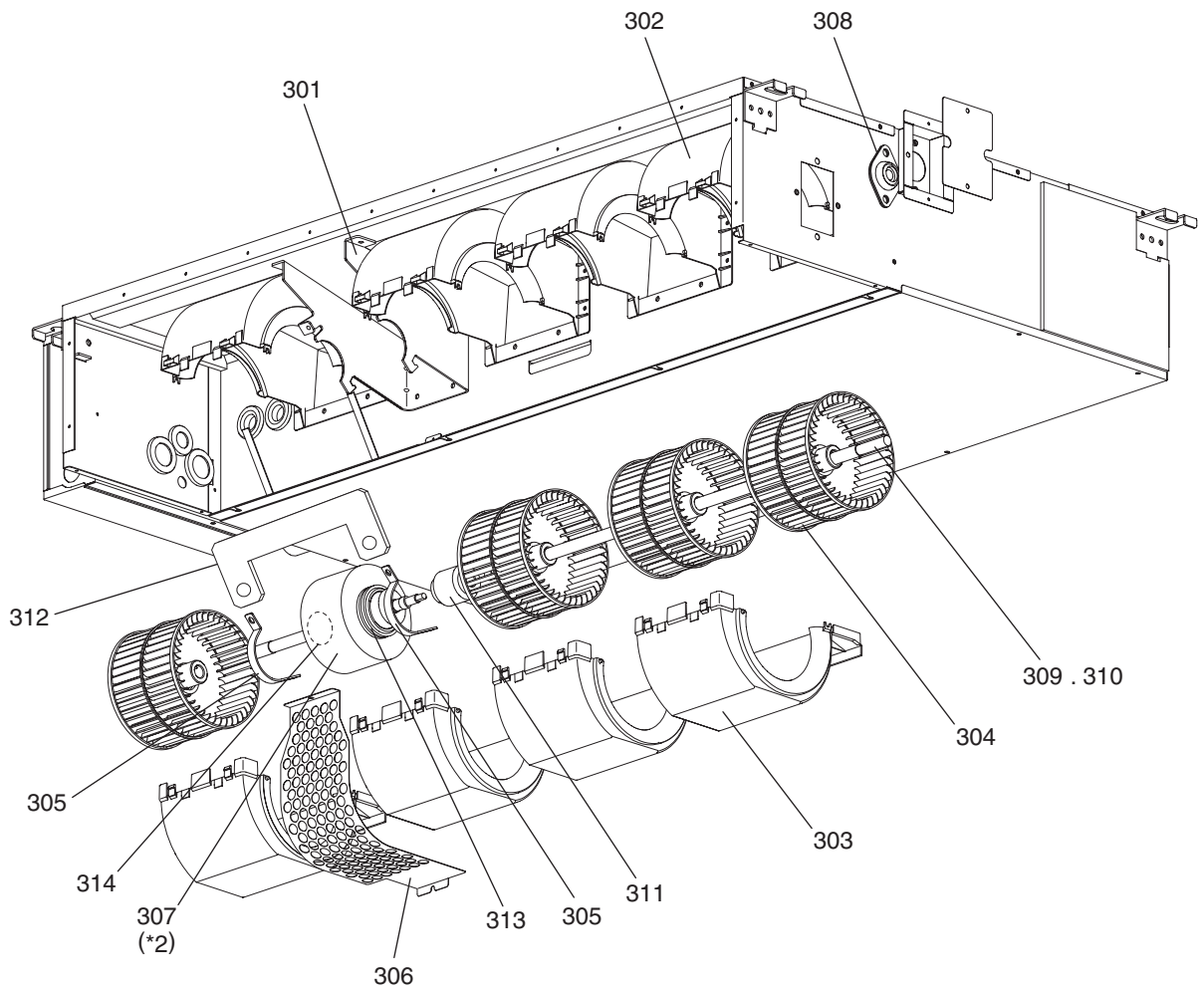
Please change the old catalog (issued July 2016, No.BWE1141C) to this new catalog.
Content of revision : Some of parts are changed.



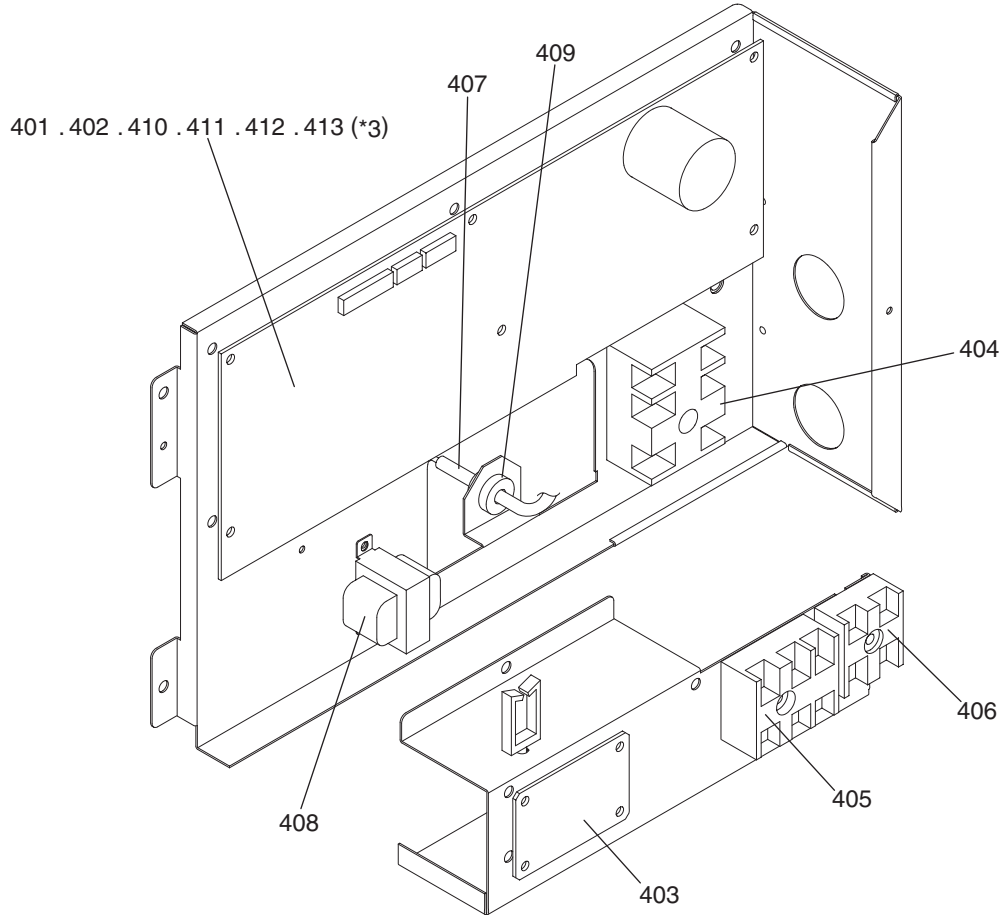




*1 Motor (Parts No.207) comes with rubber mounts.



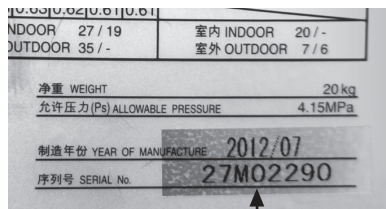
*2 Motor (Parts No.307) comes with rubber mounts.



*3 For the products whose serial number is 71M***** or later, be sure to use No.412/413.
 For the products whose serial number is from 2ZM***** to 6ZM*****, be sure to use No.410/411 or No.412/413.
 For the products whose serial number is 2YM***** or earlier, No.401/402, No.410/411 or No.412/413 can be used.
 If the production number of the indoor unit is not available, procure parts No.412/413.
 No.401/402 or No.410/411 will be supplied as long as the stock is available,
 and only No.412/413 will be supplied after the existing stock of No.401/402 or No.410/411 is depleted.

	~2YM*****	2ZM*****~6ZM*****	71M*****~
No.401/402	USE	NOT USE	NOT USE
No.410/411	USE	USE	NOT USE
No.412/413	USE	USE	USE

Serial No.



Serial No.

2 7 M 0 2 2 9 0
 ↑ ↑ ↑
 Production year
 In this case, July / 2012

Running number

Production month

Production month / year

- 2 4 April / 2012
- 2 5 May / 2012
- 2 6 June / 2012
- 2 7 July / 2012
- 2 8 August / 2012
- 2 9 September / 2012
- 2 X October / 2012
- 2 Y November / 2012
- 2 Z December / 2012
- 3 1 January / 2013
- 3 2 February / 2013
- 3 3 March / 2013
- 3 4 April / 2013
- 3 5 May / 2013

