



The MAC-333IF provides M-NET connection to M Series and Mr Slim indoor units.

Key Features

- Adapter to connect M Series and Mr Slim to M-NET



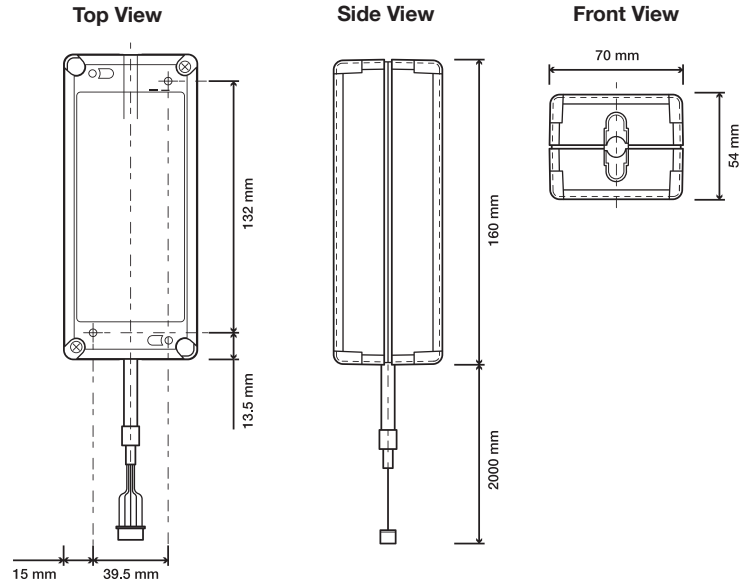
Air Conditioning | Heating
Ventilation | Controls



ADVANCED INTERFACE	MAC-333IF
Description	Adapter and M-NET Converter for M Series
Connect to	Indoor
Max Number of Units	1
Compatibility	M Series and Mr Slim
Power Supply	-
Dimensions (mm) (WxDxH)	160 x 55 x 70
Control	
On/Off	✓
Mode	x
Setpoint	x
Fan Speed	x
Air Direction	x
Permit/Prohibit	x
Filter Sign	x
Monitor	
On/Off	✓
Mode	x
Setpoint	x
Fan Speed	x
Air Direction	x
Permit/Prohibit	x
Filter Sign	x
Fault Codes	✓
Room Temperature	x
On/Off but Centrally Controlled	x
On/Off but NOT Centrally Controlled	✓
Run Output	x
Fault Output	x
Energy Saving	x
Heat / Cool / Thermo Output	x
Pulse Weight	x

Notes: VFC: Volt free contact. ✓ = Yes, x = No, - = Not applicable.

DIMENSIONS



SYSTEM DIAGRAM



Note: M-NET connection available to AE-200E and EW-50A centralised controllers, BAC-HD150 and LMAP. A power supply is NOT required to operate the MAC-333IF.



Telephone: 01707 282880

email: air.conditioning@meuk.mee.com web: www.airconditioning.mitsubishielectric.co.uk

UNITED KINGDOM Mitsubishi Electric Europe Living Environmental Systems Division
Travellers Lane, Hatfield, Hertfordshire, AL10 8XB, England General Enquiries Telephone: 01707 282880 Fax: 01707 278881
IRELAND Mitsubishi Electric Europe Westgate Business Park, Ballymount, Dublin 24, Ireland
Telephone: Dublin (01) 419 8800 Fax: Dublin (01) 419 8890 International code: (003531)

Country of origin: United Kingdom - Japan - Thailand - Malaysia. ©Mitsubishi Electric Europe 2015. Mitsubishi and Mitsubishi Electric are trademarks of Mitsubishi Electric Europe B.V. The company reserves the right to make any variation in technical specification to the equipment described, or to withdraw or replace products without prior notification or public announcement. Mitsubishi Electric is constantly developing and improving its products. All descriptions, illustrations, drawings and specifications in this publication present only general particulars and shall not form part of any contract. All goods are supplied subject to the Company's General Conditions of Sale, a copy of which is available on request. Third-party product and brand names may be trademarks or registered trademarks of their respective owners.



Effective as of April 2015



www.greengateway.mitsubishielectric.co.uk

Mitsubishi Electric UK's commitment to the environment

Follow us @meuk_Jes
Follow us @green_gateway

Mitsubishi Electric
Living Environmental Systems UK

YouTube [mitsubishielectric2](https://www.youtube.com/mitsubishielectric2)