



The TCB1 provides remote on/off control over Mr Slim or City Multi indoor units from a third party signal.

#### Key Features

- Remote on/off



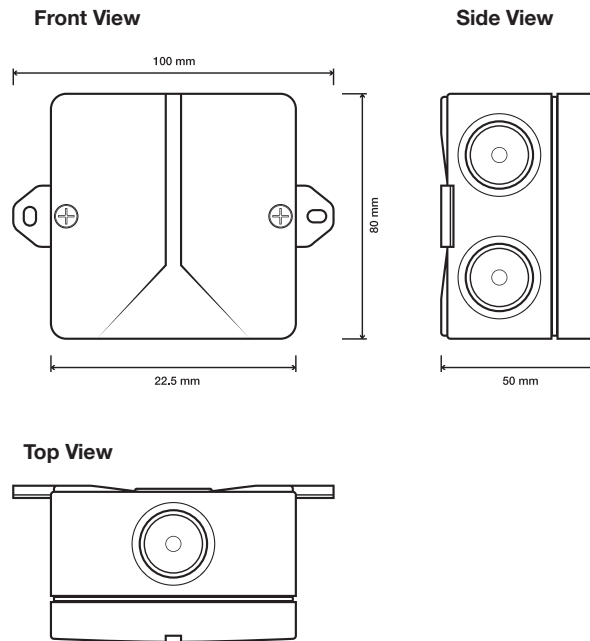
Air Conditioning | Heating  
Ventilation | Controls



ADVANCED INTERFACE	TCB1
Description	On/Off Adapter
Connect to	Indoor
Max Number of Units	1
Compatibility	Mr Slim and City Multi
Power Supply	12VDC
Dimensions (mm) (WxDxH)	80 x 45 x 80
Control	On/Off ✓ Mode - Setpoint - Fan Speed - Air Direction - Permit/Prohibit - Filter Sign -
Monitor	On/Off - Mode - Setpoint - Fan Speed - Air Direction - Permit/Prohibit - Filter Sign - Fault Codes - Room Temperature -
On/Off but Centrally Controlled	x
On/Off but NOT Centrally Controlled	12VDC
Run Output	x
Fault Output	x
Energy Saving	x
Heat / Cool / Thermo Output	x
Pulse Weight	x

Notes: ✓ = Yes, x = No, - = Not applicable.

### DIMENSIONS



### SYSTEM DIAGRAM



Notes: The remote controller button is not locked and remains available at all times. A 12v DC power supply is required to operate the TCB1.



Telephone: 01707 282880

email: [air.conditioning@meuk.mee.com](mailto:air.conditioning@meuk.mee.com) web: [www.airconditioning.mitsubishielectric.co.uk](http://www.airconditioning.mitsubishielectric.co.uk)

UNITED KINGDOM Mitsubishi Electric Europe Living Environmental Systems Division  
Travellers Lane, Hatfield, Hertfordshire, AL10 8XB, England General Enquiries Telephone: 01707 282880 Fax: 01707 278881  
IRELAND Mitsubishi Electric Europe Westgate Business Park, Ballymount, Dublin 24, Ireland  
Telephone: Dublin (01) 419 8800 Fax: Dublin (01) 419 8890 International code: (003531)

Country of origin: United Kingdom – Japan – Thailand – Malaysia. ©Mitsubishi Electric Europe 2015. Mitsubishi and Mitsubishi Electric are trademarks of Mitsubishi Electric Europe B.V. The company reserves the right to make any variation in technical specification to the equipment described, or to withdraw or replace products without prior notification or public announcement. Mitsubishi Electric is constantly developing and improving its products. All descriptions, illustrations, drawings and specifications in this publication present only general particulars and shall not form part of any contract. All goods are supplied subject to the Company's General Conditions of Sale, a copy of which is available on request. Third-party product and brand names may be trademarks or registered trademarks of their respective owners.



Effective as of April 2015



[www.greengateway.mitsubishielectric.co.uk](http://www.greengateway.mitsubishielectric.co.uk)

Mitsubishi Electric UK's commitment to the environment

Follow us @meuk\_Jes  
Follow us @green\_gateway

Mitsubishi Electric  
Living Environmental Systems UK

YouTube [mitsubishielectric2](https://www.youtube.com/mitsubishielectric2)