



The PAC-SA88HA is a simple 5 wire adapter for connection to Mr Slim or City Multi indoor units and City Multi outdoor units with two operation possibilities:

1. 12v DC outputs run and fault, compatible with Mr Slim, City Multi indoor units and City Multi outdoor units.
2. 12v DC outputs of operation mode, fan / heat / cool, compatible with City Multi indoor units.

Key Features

- Heating and cooling signal
- Run and fault signal



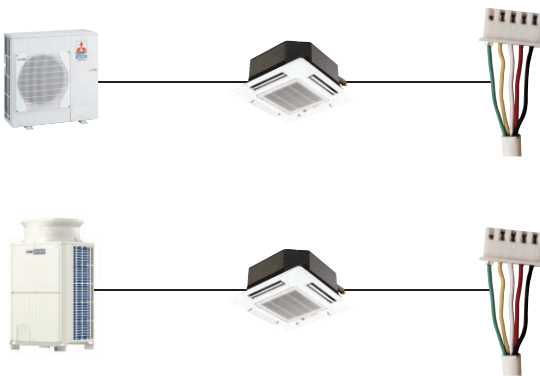
Air Conditioning | Heating
Ventilation | Controls



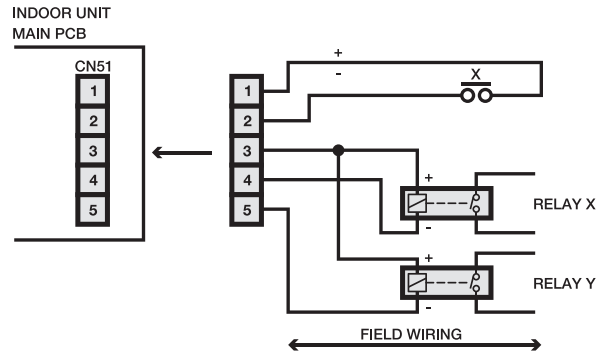
SOLUTION INTERFACE	PAC-SA88HA		
Description	Run and Fault Adapter (5 wire adapter)	Heat and Cool Adapter (5 wire adapter)	Run and Fault Adapter (5 wire adapter)
Connect to	Indoor	Indoor	Outdoor
Max Number of Units	1	1	1
Compatibility	Mr Slim and City Multi	City Multi	City Multi
Dimensions (mm) (WxDxH)	-	-	-
Control			
On/Off	x	x	x
Mode	x	x	x
Setpoint	x	x	x
Fan Speed	x	x	x
Air Direction	x	x	x
Permit/Prohibit	x	x	x
Filter Sign	x	x	x
Monitor			
On/Off	✓	x	✓
Mode	x	✓	x
Setpoint	x	x	x
Fan Speed	x	x	x
Air Direction	x	x	x
Permit/Prohibit	x	x	x
Filter Sign	x	x	x
Fault Codes	✓	✓	✓
Room Temperature	x	x	x
Fire Alarm	x	x	x
On/Off but Centrally Controlled	x	x	x
On/Off but NOT Centrally Controlled	x	x	x
Run and Fault Output	12VDC	x	12VDC
Heat and Cool Output	x	12VDC	x
Night Mode and Demand Control	x	x	x
Connect Mr Slim to M-NET	-	-	-
Connect Mr Slim to A32M	-	-	-
BAC-A/50	-	-	-

Note: ✓ = Yes, x = No, - = Not applicable.

SYSTEM DIAGRAM



WIRING DIAGRAM 12V DC RUN AND FAULT OUTPUT CONNECTIONS



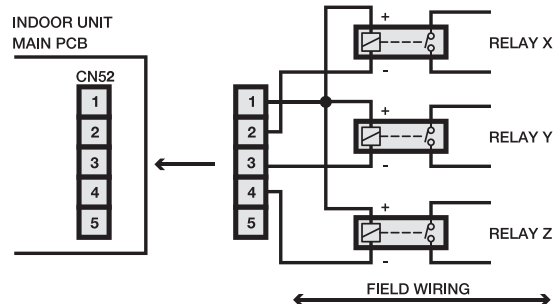
NOTE

- RELAYS NOT SUPPLIED
- X REQUIRES A PULSE SIGNAL TO START / STOP UNIT

OPERATION

- RELAY X SUPPLIED WITH 12V DC WHEN UNIT IS ON
- RELAY Y SUPPLIED WITH 12V DC WHEN UNIT IN FAULT

WIRING DIAGRAM 12V DC OPERATION MODE OUTPUT CONNECTIONS



NOTE

- RELAYS NOT SUPPLIED

OPERATION

- RELAY X SUPPLIED WITH 12V DC WHEN FAN IS RUNNING
- RELAY Y SUPPLIED WITH 12V DC WHEN UNIT IS IN COOLING MODE AND THE REMOTE CONTROLLER IS ON OR OFF
- RELAY Z SUPPLIED WITH 12V DC WHEN UNIT IS IN HEATING MODE AND THE REMOTE CONTROLLER IS ON OR OFF



Telephone: 01707 282880

email: air.conditioning@meuk.mee.com web: www.airconditioning.mitsubishielectric.co.uk

UNITED KINGDOM Mitsubishi Electric Europe Living Environmental Systems Division
Travellers Lane, Hatfield, Hertfordshire, AL10 8XB, England General Enquiries Telephone: 01707 282880 Fax: 01707 278881

IRELAND Mitsubishi Electric Europe Westgate Business Park, Ballymount, Dublin 24, Ireland
Telephone: Dublin (01) 419 8800 Fax: Dublin (01) 419 8890 International code: (003531)

Country of origin: United Kingdom - Japan - Thailand - Malaysia. ©Mitsubishi Electric Europe 2015. Mitsubishi and Mitsubishi Electric are trademarks of Mitsubishi Electric Europe B.V. The company reserves the right to make any variation in technical specification to the equipment described, or to withdraw or replace products without prior notification or public announcement. Mitsubishi Electric is constantly developing and improving its products. All descriptions, illustrations, drawings and specifications in this publication present only general particulars and shall not form part of any contract. All goods are supplied subject to the Company's General Conditions of Sale, a copy of which is available on request. Third-party product and brand names may be trademarks or registered trademarks of their respective owners.



Effective as of April 2015



www.greengateway.mitsubishielectric.co.uk

Mitsubishi Electric UK's commitment to the environment

Follow us @meuk_Jes
Follow us @green_gateway

Mitsubishi Electric
Living Environmental Systems UK

YouTube
mitsubishielectric2