



The PAC-SA89TA is a simple 3 wire adapter for connection to Mr Slim or City Multi indoor units with two operation possibilities:

1. Remote on/off & fire alarm interface from external VFC signals.
2. Night mode & demand control interface from external VFC signals.

#### Key Features

- Also known as 3 wire adapter
- Remote on/off
- Fire alarm input
- Night mode
- Demand control



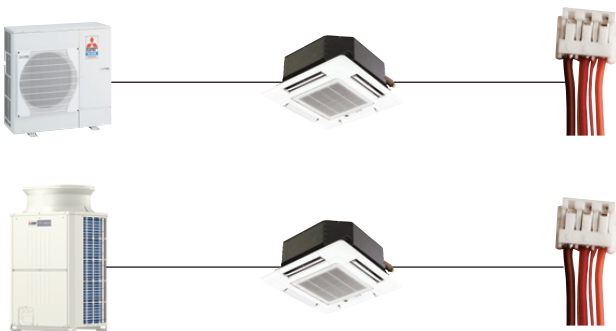
Air Conditioning | Heating  
Ventilation | Controls



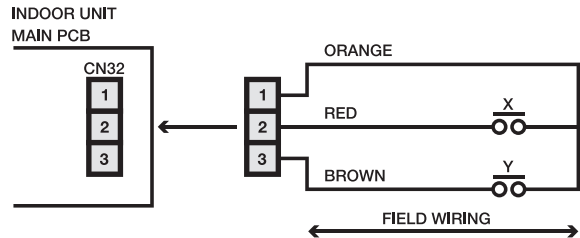
SIMPLE INTERFACE	PAC-SA89TA	
Description	On/Off Adapter (3 wire adapter)	Night Mode and Demand Control (3 wire adapter)
Connect to	Indoor	Outdoor
Max Number of Units	1	1
Compatibility	Mr Slim and City Multi	Mr Slim and City Multi
Dimensions (mm) (WxDxH)	-	-
Control	On/Off ✓ Mode x Setpoint x Fan Speed x Air Direction x Permit/Prohibit x Filter Sign x	On/Off ✓ Mode x Setpoint x Fan Speed x Air Direction x Permit/Prohibit x Filter Sign x
Monitor	On/Off x Mode x Setpoint x Fan Speed x Air Direction x Permit/Prohibit x Filter Sign x Fault Codes x Room Temperature x Fire Alarm ✓	On/Off x Mode x Setpoint x Fan Speed x Air Direction x Permit/Prohibit x Filter Sign x Fault Codes x Room Temperature x Fire Alarm ✓
On/Off but Centrally Controlled	VFC	x
On/Off but NOT Centrally Controlled	x	x
Run and Fault Output	x	x
Heat and Cool Output	x	x
Night Mode and Demand Control	x	VFC
Connect Mr Slim to M-NET	-	-
Connect Mr Slim to A32M	-	-
Connect Mr Slim to BAC-A/50	-	-

Note: VFC: Volt free contact. ✓=Yes, x=No, - = Not applicable.

### SYSTEM DIAGRAM



### WIRING DIAGRAM On/Off and Fire Alarm



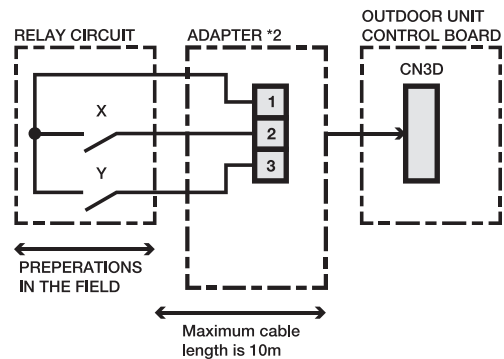
#### NOTE

- ON / OFF BUTTON ON THE REMOTE CONTROLLER NOT AVAILABLE
- ADAPTER WIRE COLOURS MAY VARY
- RELAYS NOT SUPPLIED

#### OPERATION

- X AND Y CLOSED TO START UNIT

### WIRING DIAGRAM Low Noise and Demand Connections



#### NOTE

- X : Low noise mode or demand
- Y : Demand
- X, Y : Relay Contact rating voltage  $\geq 15\text{VDC}$   
Contact rating current  $\geq 0.1\text{A}$   
Minimum applicable load  $\leq 1\text{mA}$  at DC