

SERVICE PARTS LIST FOR MITSUBISHI ELECTRIC PACKAGED AIR-CONDITIONERS

Series : PURY-(E)P·Y(S)JM-A(-BS)

For use with the R410A

Sept. 2010

BWE10110

INDEX

PURY-P200YJM-A(-BS)
PURY-P250YJM-A(-BS)
PURY-P300YJM-A(-BS)
PURY-P350YJM-A(-BS)
PURY-P400YJM-A(-BS)
PURY-P450YJM-A(-BS)
PURY-EP200YJM-A(-BS)
PURY-EP250YJM-A(-BS)
PURY-EP300YJM-A(-BS)
PURY-EP350YJM-A(-BS)

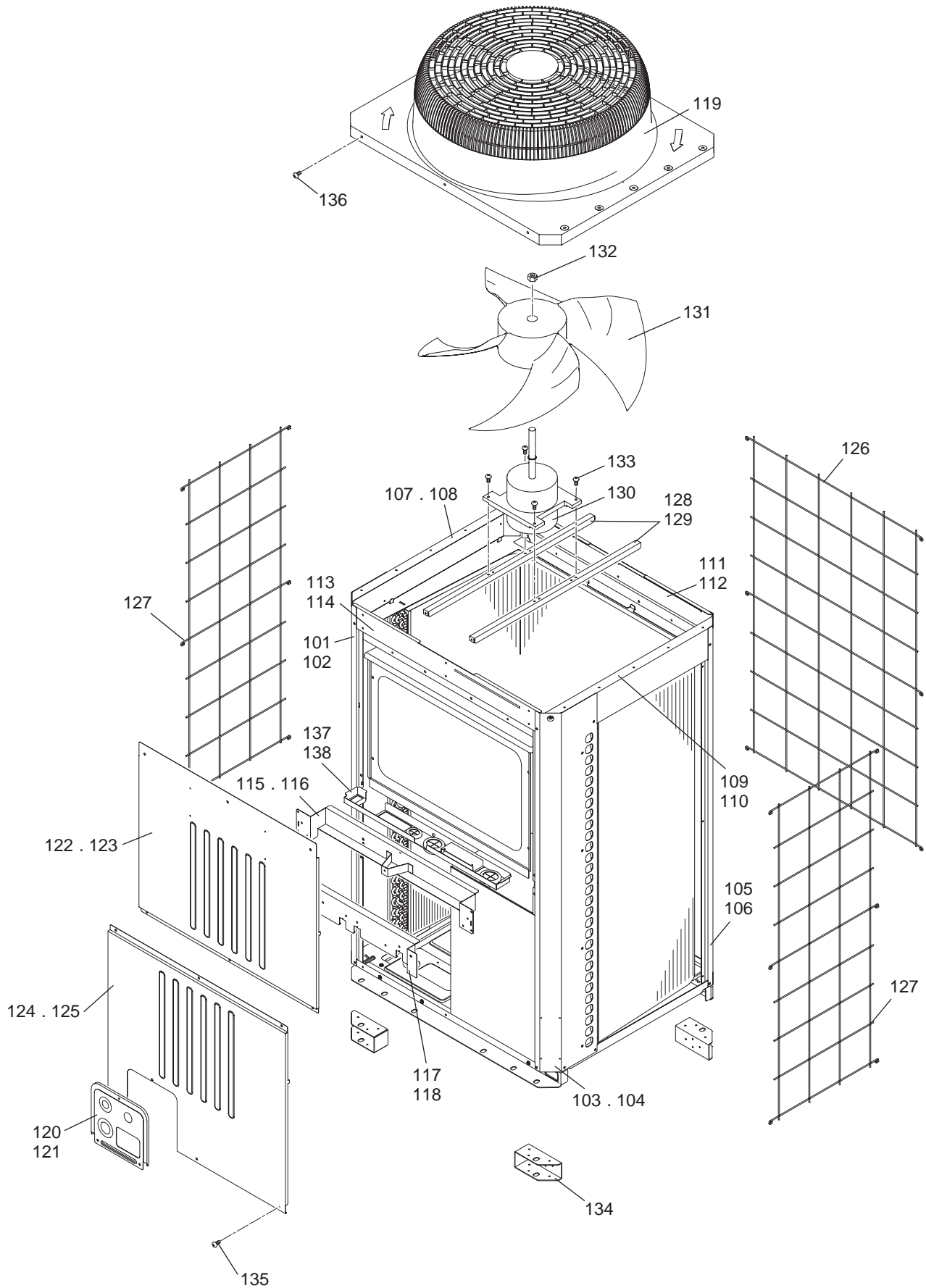
Refer to the next page for the package names.

The Package name list

PURY-P400YSJM-A1(-BS)	[PURY-P200YJM-A(-BS)+PURY-P200YJM-A(-BS)]
PURY-P450YSJM-A1(-BS)	[PURY-P250YJM-A(-BS)+PURY-P200YJM-A(-BS)]
PURY-P500YSJM-A(-BS)	[PURY-P250YJM-A(-BS)+PURY-P250YJM-A(-BS)]
PURY-P500YSJM-A1(-BS)	[PURY-P300YJM-A(-BS)+PURY-P200YJM-A(-BS)]
PURY-P550YSJM-A(-BS)	[PURY-P300YJM-A(-BS)+PURY-P250YJM-A(-BS)]
PURY-P600YSJM-A(-BS)	[PURY-P300YJM-A(-BS)+PURY-P300YJM-A(-BS)]
PURY-P600YSJM-A1(-BS)	[PURY-P350YJM-A(-BS)+PURY-P250YJM-A(-BS)]
PURY-P650YSJM-A(-BS)	[PURY-P350YJM-A(-BS)+PURY-P300YJM-A(-BS)]
PURY-P700YSJM-A(-BS)	[PURY-P400YJM-A(-BS)+PURY-P300YJM-A(-BS)]
PURY-P700YSJM-A1(-BS)	[PURY-P350YJM-A(-BS)+PURY-P350YJM-A(-BS)]
PURY-P750YSJM-A(-BS)	[PURY-P400YJM-A(-BS)+PURY-P350YJM-A(-BS)]
PURY-P800YSJM-A(-BS)	[PURY-P400YJM-A(-BS)+PURY-P400YJM-A(-BS)]
PURY-P800YSJM-A1(-BS)	[PURY-P450YJM-A(-BS)+PURY-P350YJM-A(-BS)]
PURY-P850YSJM-A(-BS)	[PURY-P450YJM-A(-BS)+PURY-P400YJM-A(-BS)]
PURY-P900YSJM-A(-BS)	[PURY-P450YJM-A(-BS)+PURY-P450YJM-A(-BS)]
PURY-EP400YSJM-A(-BS)	[PURY-EP200YJM-A(-BS)+PURY-EP200YJM-A(-BS)]
PURY-EP450YSJM-A(-BS)	[PURY-EP250YJM-A(-BS)+PURY-EP200YJM-A(-BS)]
PURY-EP500YSJM-A(-BS)	[PURY-EP300YJM-A(-BS)+PURY-EP200YJM-A(-BS)]
PURY-EP500YSJM-A1(-BS)	[PURY-EP250YJM-A(-BS)+PURY-EP250YJM-A(-BS)]
PURY-EP550YSJM-A(-BS)	[PURY-EP300YJM-A(-BS)+PURY-EP250YJM-A(-BS)]
PURY-EP600YSJM-A(-BS)	[PURY-EP300YJM-A(-BS)+PURY-EP300YJM-A(-BS)]
PURY-EP600YSJM-A1(-BS)	[PURY-EP350YJM-A(-BS)+PURY-EP250YJM-A(-BS)]
PURY-EP650YSJM-A(-BS)	[PURY-EP350YJM-A(-BS)+PURY-EP300YJM-A(-BS)]
PURY-EP700YSJM-A(-BS)	[PURY-EP350YJM-A(-BS)+PURY-EP350YJM-A(-BS)]

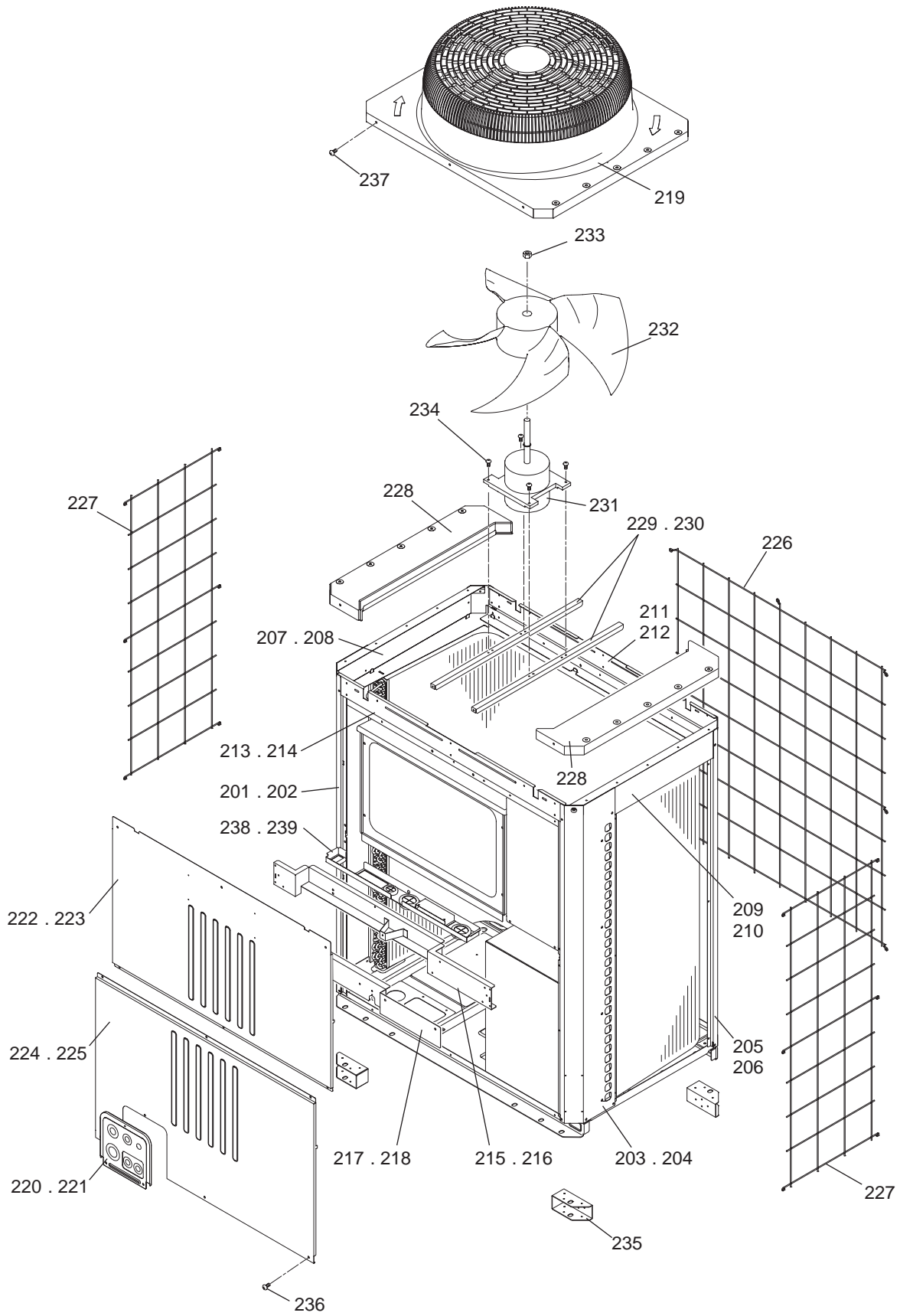
PURY-P200,P250,P300YJM-A(-BS)
PURY-EP200YJM-A(-BS)

EXTERNAL PARTS & BLOWER PARTS (1)



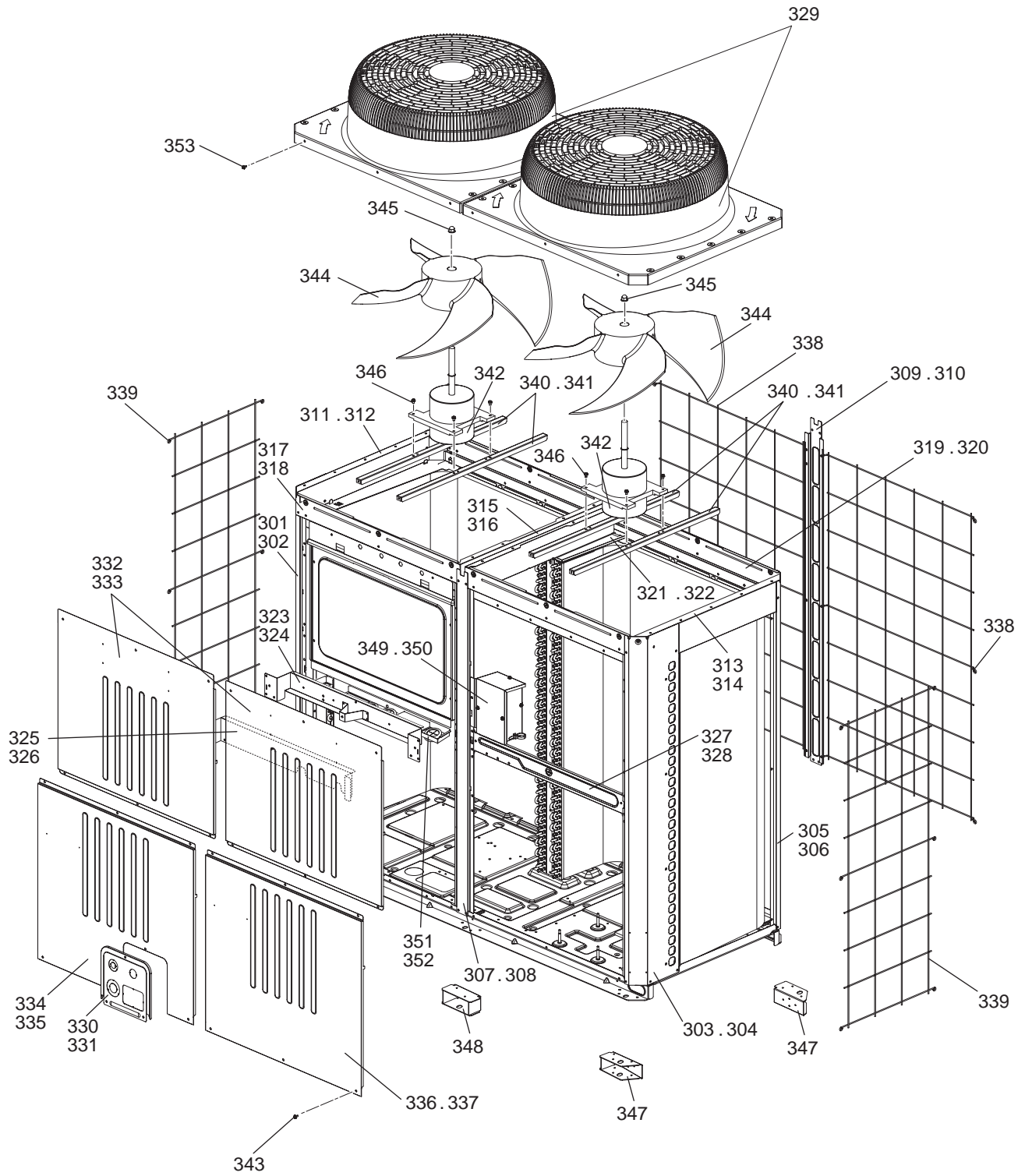
PURY-P350,P400YJM-A(-BS)
PURY-EP250,EP300YJM-A(-BS)

EXTERNAL PARTS & BLOWER PARTS (2)



PURY-P450YJM-A(-BS)
PURY-EP350YJM-A(-BS)

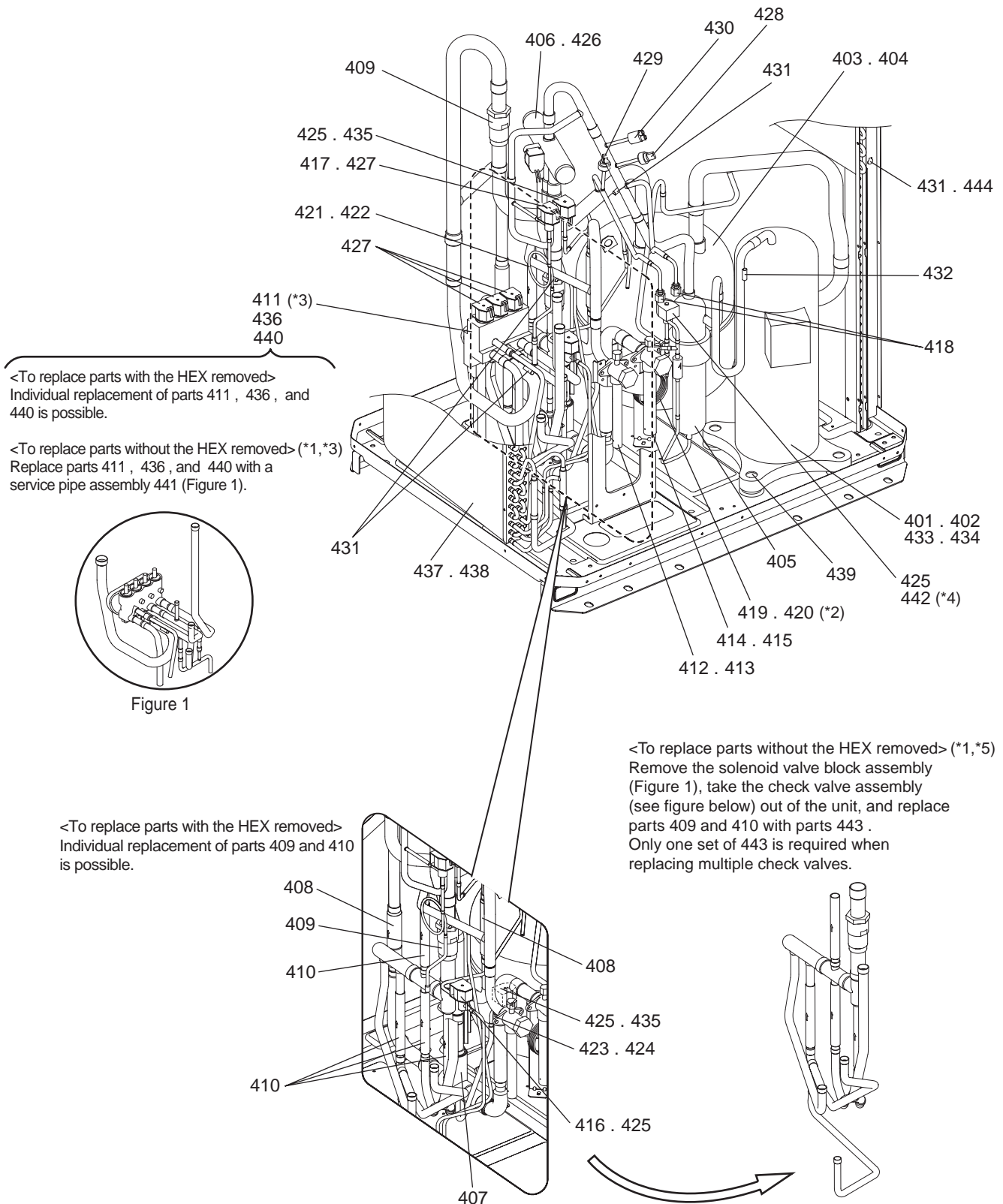
EXTERNAL PARTS & BLOWER PARTS (3)



PURY-P450YJM-A(-BS)
PURY-EP350YJM-A(-BS)

EXTERNAL PARTS & BLOWER PARTS (3)

No.	Part No.	G : RoHS Apply Only W : RoHS Apply by Running Change		Spec.	PURY-P450YJM-A	PURY-P450YJM-A-BS	PURY-EP350YJM-A	PURY-EP350YJM-A-BS	Dwg. No.	Notes for the models	Revision info.
			Part Name								
301	R61 009 626	G	Pillar LF	XL	1	1			KB02A011G09		
302	R61 010 626	G	Pillar LF	XL BS		1	1		KB02A011G10		
303	R11 014 626	G	Pillar RF		1	1			KB02A012G07		
304	R11 015 626	G	Pillar RF	BS		1	1		KB02A012G08		
305	R63 002 627	G	Pillar B		2	2			KB02A013G07		
306	R63 003 627	G	Pillar B	BS		2	2		KB02A013G08		
307	R61 015 626	G	Pillar assy MF		1	1			KD00C356G03		
308	R61 016 626	G	Pillar assy MF	BS		1	1		KD00C356G04		
309	R61 011 626	G	Pillar MB		1	1			KB02A263G01		
310	R61 012 626	G	Pillar MB	BS		1	1		KB02A263G02		
311	R63 038 162	G	Frame assy L		1	1			KB00C163G09		
312	R63 040 162	G	Frame assy L	BS		1	1		KB00C163G10		
313	R63 039 162	G	Frame assy R		1	1			KB00C164G09		
314	R63 041 162	G	Frame assy R	BS		1	1		KB00C164G10		
315	R61 054 162	G	Frame M		1	1			KD00G287G01		
316	R61 055 162	G	Frame M	BS		1	1		KD00G287G02		
317	R61 048 162	G	Frame F	XL	1	1			KB02A264H01		
318	R61 049 162	G	Frame FB	XL BS		1	1		KB02A264G02		
319	R61 042 162	G	Frame assy B	XL	1	1			KD00C265G01		
320	R61 043 162	G	Frame assy B	XL BS		1	1		KD00C265G02		
321	R61 003 499	G	Plate HEX assy	XL	1	1			KB00T714G01		
322	R61 004 499	G	Plate HEX assy	XL BS		1	1		KB00T714G02		
323	R63 013 111	G	Frame assy MU		1	1			KB00C887G01		
324	R63 014 162	G	Frame assy MU	BS		1	1		KB00C887G07		
325	R63 016 111	G	Frame assy MB		1	1			KB00L774G01		
326	R63 015 162	G	Frame assy MB	BS		1	1		KB00L774G07		
327	R61 050 162	G	Frame MR	XL	1	1			KB02J307H01		
328	R61 051 162	G	Frame MR	XL BS		1	1		KB02J307G01		
329	R61 004 118	G	Fan guard		2	2	2	2	KB25A241G01		
330	R61 088 690	G	Piping cover	R2	1	1			KB02L001G05		
331	R61 089 690	G	Piping cover	R2 BS		1	1		KB02L001G06		
332	R61 050 651	G	Panel FU		2	2			KB02B379H01		
333	R63 4H8 651	G	Panel FU	BS		2	2		KB02B379G02		
334	R61 157 651	G	Panel FBL	XL	1	1			KB02J308H01		
335	R61 158 651	G	Panel FBL	XL BS		1	1		KB02J308G02		
336	R63 159 651	G	Panel FBR	XL	1	1			KB02J309H02		
337	R61 160 651	G	Panel FBR	XL BS		1	1		KB02J309G03		
338	R63 004 611	G	Fin guard B		2	2	2	2	KB07T208G01		
339	R61 007 611	G	Fin guard LR		2	2	2	2	KB07C043G03		
340	R63 4H6 140	G	Base fan		4	4			KB02D050H01		
341	R63 4H7 140	G	Base fan	BS		4	4		KB02D050G01		
342	R61 128 220	G	Motor	EEOK-IOTV 920W	2	2	2	2	P780194X01		
343	R63 007 087	G	H Screw	5x10 KNURLED (30pcs)	6	6	6	6	KB00H418G14		
344	R63 4H6 300	G	Fan		2	2	2	2	KB25A009H02		
345	R63 4H6 122	G	Box nut	M12 CH	2	2	2	2	P552000X01		



<To replace parts with the HEX removed>
 Individual replacement of parts 411 , 436 , and 440 is possible.

<To replace parts without the HEX removed> (*1,*3)
 Replace parts 411 , 436 , and 440 with a service pipe assembly 441 (Figure 1).

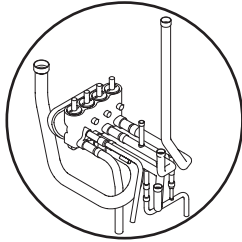
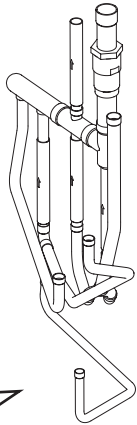


Figure 1

<To replace parts with the HEX removed>
 Individual replacement of parts 409 and 410 is possible.

<To replace parts without the HEX removed> (*1,*5)
 Remove the solenoid valve block assembly (Figure 1), take the check valve assembly (see figure below) out of the unit, and replace parts 409 and 410 with parts 443 . Only one set of 443 is required when replacing multiple check valves.



*1: Refer to the replacement instructions provided with parts 441 and 443 for details.
 *2: A capillary tube assy CP1 and a sheet of replacement instructions are included with Capillary tube assy service parts kits (No. 419, 420).
 *3: A solenoid valve block assy, a connecting pipe, and a sheet of replacement instructions are included with Solenoid valve block service parts kit (No. 441).
 *4: A solenoid valve (SV1a) and a sheet of replacement instructions are included with Solenoid valve service parts kit (No. 442).
 *5: A connecting pipe and a sheet of replacement instructions are included with Service parts with instructions (No. 443).

PURY-P200,P250,P300YJM-A(-BS)
PURY-EP200YJM-A(-BS)

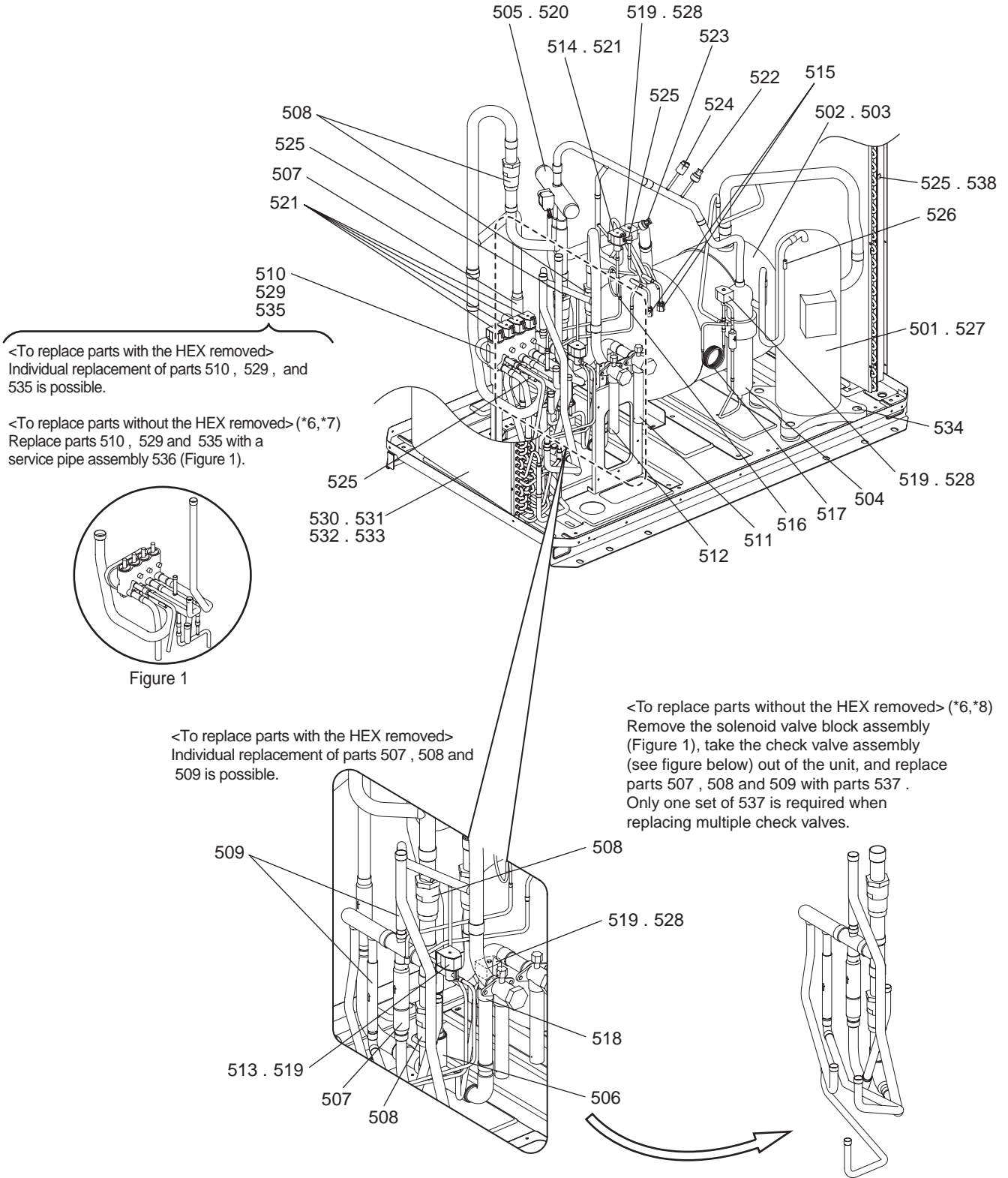
FUNCTIONAL PARTS (1)

No.	Part No.	G : RoHS Apply Only W : RoHS Apply by Running Change		Spec.	PURY-P200YJM-A	PURY-P200YJM-A-BS	PURY-P250YJM-A	PURY-P250YJM-A-BS	PURY-P300YJM-A	PURY-P300YJM-A-BS	Dwg. No.	Notes for the models	Revision info.
			Part Name										
401	R69 068 478	G	Scroll compressor	ENB52FC-YE	1	1	1	1			EP10107B08		
402	R69 070 478	G	Scroll compressor	HNB78FC-YE					1	1	EP10109B08		
403	R61 079 484	G	Accumulator assy		1		1		1		KB54B375G13		
404	R61 080 484	G	Accumulator assy	BS		1		1		1	KB54B375G14		
405	R61 007 487	G	Oil separator assy		1	1	1	1	1	1	KB00L071G01		
406	R63 Y05 154	G	Four way valve	STF-07	1	1	1	1	1	1	P633119X01	<21S4a>	
407	R63 S84 418	G	Check valve block assy		1	1	1	1	1	1	W902879G02	<CV2a>	
408	R61 003 418	G	Check valve	LCVP15-7M	2	2	2	2	2	2	P639180X01	<CV3a, CV5a>	
409	R61 002 418	G	Check valve	YDV-22Y9	2	2	2	2	2	2	P639175X01	<CV4a, CV7a>	
410	R63 R43 418	G	Check valve	BCV-1005	4	4	4	4	4	4	P639165X01	<CV6a, CV8a, CV9a, CV10a>	
411	R61 026 232	G	Valve block assy	3SV	1	1	1	1	1	1	KB00L055G01	<SV4a, SV4b, SV4d>	
412	R61 005 540	G	Valve	VSAMH5SSCM-LA1	1	1					P636344X01	<(HP)BV2>	
413	R61 006 538	G	Valve	VSAMH6SSCM-LA1			1	1	1	1	P636352X01	<(HP)BV2>	
414	R61 001 540	G	Valve	VSAMH7SSCM-A	1	1					P636342X01	<(LP)BV1>	
415	R61 002 540	G	Valve	VSAMH8SSCM-A			1	1	1	1	P636343X01	<(LP)BV1>	
416	R63 027 232	G	Solenoid valve	VPV-L	1	1	1	1	1	1	P631296X01	<SV5b>	
417	R63 Y07 232	G	Solenoid valve	ATS-A	1	1	1	1	1	1	P631291X01	<SV9>	
418	R63 R34 413	G	Check joint L	R410A	2	2	2	2	2	2	P666004X02	<(HP)CJ1, (LP)CJ2>	
419	R61 009 425	G	Capillary tube assy	(service parts kit)	1	1	1	1			KB00H902G20	<CP1>*2	
420	R61 010 425	G	Capillary tube assy	(service parts kit)					1	1	KB00H902G18	<CP1>*2	
421	R61 006 425	G	Capillary tube assy		1	1	1	1			KB49H698G01	<CP2>	
422	R61 008 425	G	Capillary tube assy						1	1	KB49H700G01	<CP2>	
423	R63 4H6 454	G	Strainer	19.05D	1	1					P641133X01	<ST1>	
424	R61 008 454	G	Strainer	25.4D			1	1	1	1	KB48K250G01	<ST1>	
425	R61 006 243	G	Solenoid coil	VPV Y	4	4	4	4	4	4	P472046X01	<SV1a, SV2, SV5b, SV5c>	
426	R63 Y16 243	G	Solenoid coil	STF DV	1	1	1	1	1	1	P472024X01	<21S4a>	
427	R63 Y18 243	G	Solenoid coil		4	4	4	4	4	4	P472012X01	<SV4a, SV4b, SV4d, SV9>	
428	R61 006 288	G	Pressure sensor	HP D173	1	1	1	1	1	1	KB00H904G09	<(HP)63HS1>	
429	R61 007 288	G	Pressure sensor	LP D173	1	1	1	1	1	1	KB00H904G10	<(LP)63LS>	
430	R63 Y11 208	G	Pressure switch	ACB1UB28W	1	1	1	1	1	1	P426320X01	<63H1>	
431	R61 060 200	G	Thermistor		4	4	4	4	4	4	P418065X01	<TH3, TH5, TH6, TH7>	
432	R63 911 202	G	Thermistor		1	1	1	1	1	1	P425416X02	<TH4>	
433	R61 003 237	G	Belt heater	240V 35W	1	1	1	1			P497067X01	<CH11>	
434	R63 Y07 237	G	Belt heater	240V 45W					1	1	P493781X02	<CH11>	
435	R63 P90 232	G	Solenoid valve	VPV-152D	2	2	2	2	2	2	P631277X01	<SV2, SV5c>	
436	R63 6A7 235	G	Solenoid valve	ACS METAL D32	3	3	3	3	3	3	P631310X01	<SV4a, SV4b, SV4d>	
437	R61 458 480	G	Heat exchanger assy	2.5L	1		1		1		KD01G258G01		
438	R61 461 480	G	Heat exchanger assy	2.5L BS		1		1		1	KD01G258G02		
439	R63 852 860	G	Rubber mount	For compressor	4	4	4	4	4	4	W897574H01		
440	R63 6A7 245	G	SV tightening element		1	1	1	1	1	1	W909209G01		
441	R61 032 232	G	SV block service parts kit		1	1	1	1	1	1	KB00H902G12	<SV4a, SV4b, SV4d>*3	
442	R61 033 232	G	SV service parts kit		1	1	1	1	1	1	KB00H902G19	<SV1a>*4	
443	R61 004 151	G	Service parts	(with instructions)	1	1	1	1	1	1	KB00H902G14	<CV4a, CV6a, CV8a, CV9a, CV10a>*5	
444	R61 001 310	G	Sensor holder		1	1	1	1	1	1	KB25B471G02		

PURY-P200,P250,P300YJM-A(-BS)
PURY-EP200YJM-A(-BS)

FUNCTIONAL PARTS (1)

No.	Part No.	G : RoHS Apply Only W : RoHS Apply by Running Change		Spec.	PURY-EP200YJM-A	PURY-EP200YJM-A-BS				Dwg. No.	Notes for the models	Revision info.
			Part Name									
401	R69 068 478	G	Scroll compressor	ENB52FC-YE	1	1				EP10107B08		
402	R69 070 478	G	Scroll compressor	HNB78FC-YE						EP10109B08		
403	R61 079 484	G	Accumulator assy		1					KB54B375G13		
404	R61 080 484	G	Accumulator assy	BS		1				KB54B375G14		
405	R61 007 487	G	Oil separator assy		1	1				KB00L071G01		
406	R63 Y05 154	G	Four way valve	STF-07	1	1				P633119X01	<21S4a>	
407	R63 S84 418	G	Check valve block assy		1	1				W902879G02	<CV2a>	
408	R61 003 418	G	Check valve	LCVP15-7M	2	2				P639180X01	<CV3a, CV5a>	
409	R61 002 418	G	Check valve	YDV-22Y9	2	2				P639175X01	<CV4a, CV7a>	
410	R63 R43 418	G	Check valve	BCV-1005	4	4				P639165X01	<CV6a, CV8a, CV9a, CV10a>	
411	R61 026 232	G	Valve block assy	3SV	1	1				KB00L055G01	<SV4a, SV4b, SV4d>	
412	R61 005 540	G	Valve	VSAMH5SSCM-LA1	1	1				P636344X01	<(HP)BV2>	
413	R61 006 538	G	Valve	VSAMH6SSCM-LA1						P636352X01	<(HP)BV2>	
414	R61 001 540	G	Valve	VSAMH7SSCM-A	1	1				P636342X01	<(LP)BV1>	
415	R61 002 540	G	Valve	VSAMH8SSCM-A						P636343X01	<(LP)BV1>	
416	R63 027 232	G	Solenoid valve	VPV-L	1	1				P631296X01	<SV5b>	
417	R63 Y07 232	G	Solenoid valve	ATS-A	1	1				P631291X01	<SV9>	
418	R63 R34 413	G	Check joint L	R410A	2	2				P666004X02	<(HP)CJ1, (LP)CJ2>	
419	R61 009 425	G	Capillary tube assy	(service parts kit)	1	1				KB00H902G20	<CP1>*2	
420	R61 010 425	G	Capillary tube assy	(service parts kit)						KB00H902G18	<CP1>*2	
421	R61 006 425	G	Capillary tube assy		1	1				KB49H698G01	<CP2>	
422	R61 008 425	G	Capillary tube assy							KB49H700G01	<CP2>	
423	R63 4H6 454	G	Strainer	19.05D	1	1				P641133X01	<ST1>	
424	R61 008 454	G	Strainer	25.4D						KB48K250G01	<ST1>	
425	R61 006 243	G	Solenoid coil	VPV Y	4	4				P472046X01	<SV1a, SV2, SV5b, SV5c>	
426	R63 Y16 243	G	Solenoid coil	STF DV	1	1				P472024X01	<21S4a>	
427	R63 Y18 243	G	Solenoid coil		4	4				P472012X01	<SV4a, SV4b, SV4d, SV9>	
428	R61 006 288	G	Pressure sensor	HP D173	1	1				KB00H904G09	<(HP)63HS1>	
429	R61 007 288	G	Pressure sensor	LP D173	1	1				KB00H904G10	<(LP)63LS>	
430	R63 Y11 208	G	Pressure switch	ACB1UB28W	1	1				P426320X01	<63H1>	
431	R61 060 200	G	Thermistor		4	4				P418065X01	<TH3, TH5, TH6, TH7>	
432	R63 911 202	G	Thermistor		1	1				P425416X02	<TH4>	
433	R61 003 237	G	Belt heater	240V 35W	1	1				P497067X01	<CH11>	
434	R63 Y07 237	G	Belt heater	240V 45W						P493781X02	<CH11>	
435	R63 P90 232	G	Solenoid valve	VPV-152D	2	2				P631277X01	<SV2, SV5c>	
436	R63 6A7 235	G	Solenoid valve	ACS METAL D32	3	3				P631310X01	<SV4a, SV4b, SV4d>	
437	R61 458 480	G	Heat exchanger assy	2.5L	1					KD01G258G01		
438	R61 461 480	G	Heat exchanger assy	2.5L BS		1				KD01G258G02		
439	R63 852 860	G	Rubber mount	For compressor	4	4				W897574H01		
440	R63 6A7 245	G	SV tightening element		1	1				W909209G01		
441	R61 032 232	G	SV block service parts kit		1	1				KB00H902G12	<SV4a, SV4b, SV4d>*3	
442	R61 033 232	G	SV service parts kit		1	1				KB00H902G19	<SV1a>*4	
443	R61 004 151	G	Service parts	(with instructions)	1	1				KB00H902G14	<CV4a, CV6a, CV8a, CV9a, CV10a>*5	
444	R61 001 310	G	Sensor holder		1	1				KB25B471G02		



*6: Refer to the replacement instructions provided with parts 536 and 537 for details.

*7: A solenoid valve block assy, a connecting pipe, and a sheet of replacement instructions are included with Solenoid valve block service parts kit (No. 536).

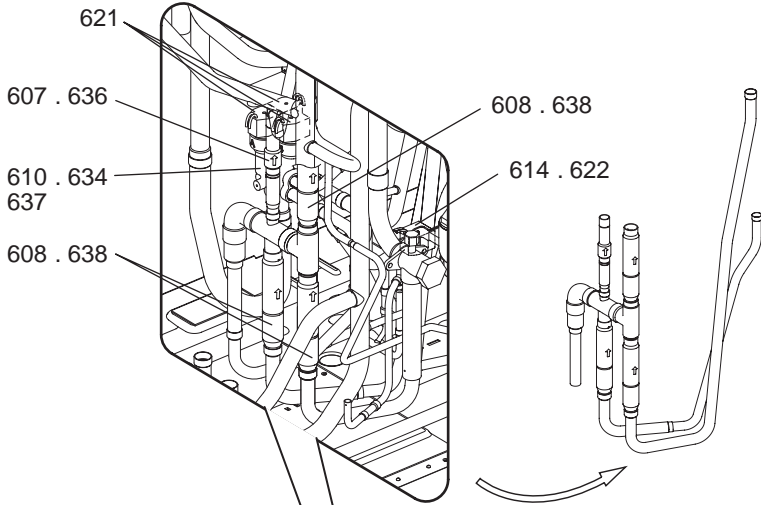
*8: A connecting pipe and a sheet of replacement instructions are included with Service parts with instructions (No. 537).

PURY-P450YJM-A(-BS)
 PURY-EP350YJM-A(-BS)

FUNCTIONAL PARTS (3)

<To replace parts with the HEX removed>
 Individual replacement of parts 607 and 608
 is possible.

<To replace parts without the HEX removed> (*9,*11)
 Remove the solenoid valve block assembly
 (Figure 1), take the check valve assembly (see
 figure below) out of the unit, and replace parts
 636 , 638.



<To replace parts with the HEX removed>
 Individual replacement of parts 610 , 634 , and
 637 is possible.

<To replace parts without the HEX removed> (*9,*10)
 Replace parts 610 , 634 , and 637 with a service
 pipe assembly 635 (Figure 1).

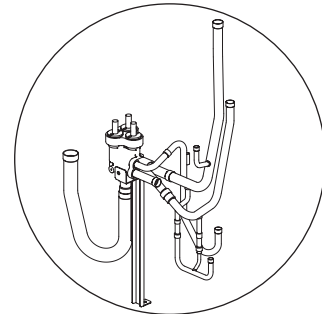
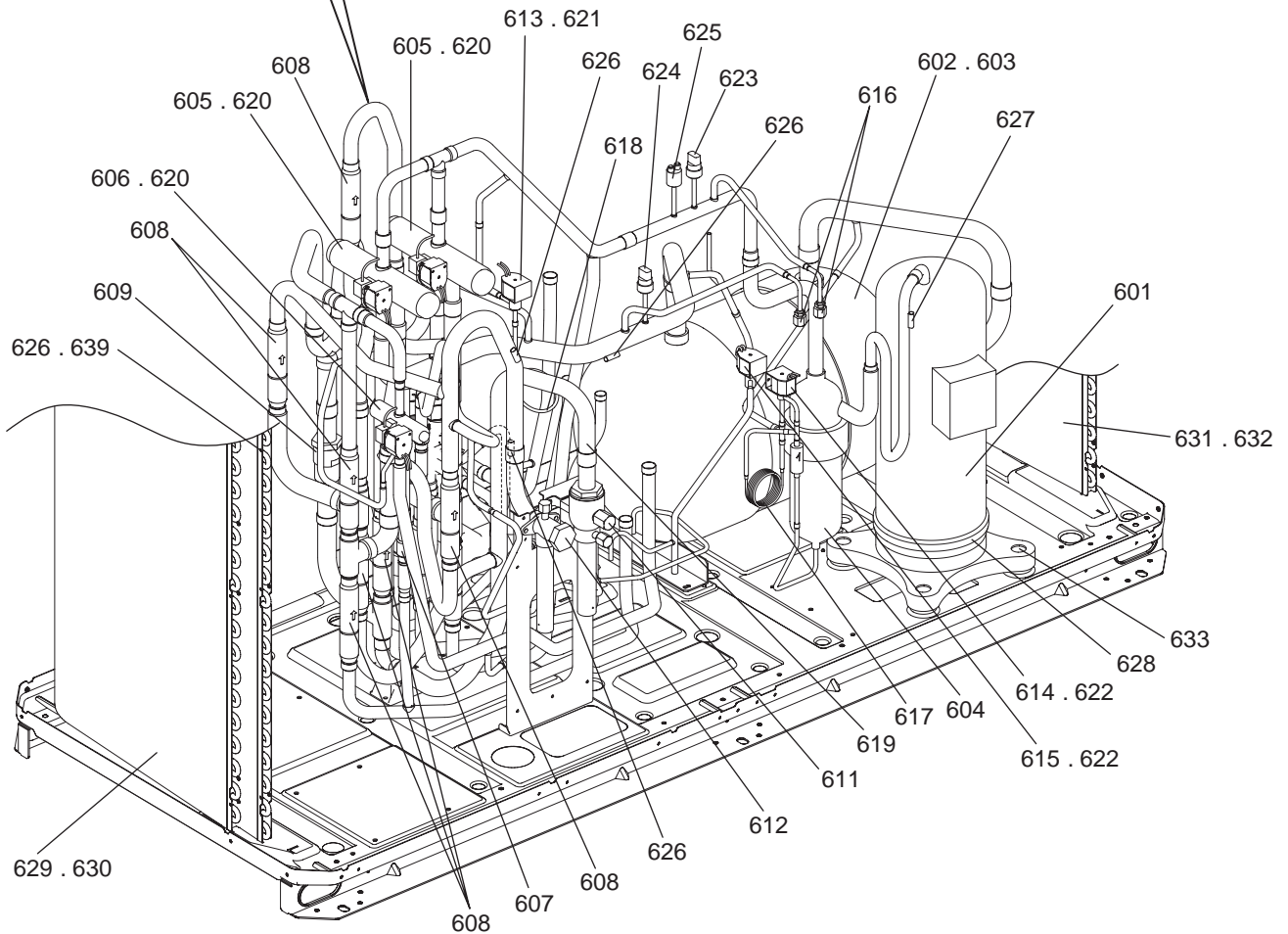


Figure 1



* 9: Refer to the replacement instructions provided with parts 635 , 636 and 638 for details.

*10: A solenoid valve block assy and a sheet of replacement instructions are included with Solenoid valve block service parts kit (No. 635).

*11: A check valve and a sheet of replacement instructions are included with Service parts with instructions (No. 636 , 638).

PURY-P200,P250,P300YJM-A(-BS)
PURY-P350,P400,P450YJM-A(-BS)
PURY-EP200,EP250,EP300,EP350YJM-A(-BS)

CONTROL BOX PARTS

