

SERVICE PARTS LIST FOR MITSUBISHI ELECTRIC PACKAGED AIR-CONDITIONERS

[Back to Index](#)

Series : PURY-RP·YJM-B(-BS)

For use with the R410A

Feb. 2011

BWE10240

INDEX

PURY-RP200YJM-B

PURY-RP200YJM-B-BS

PURY-RP250YJM-B

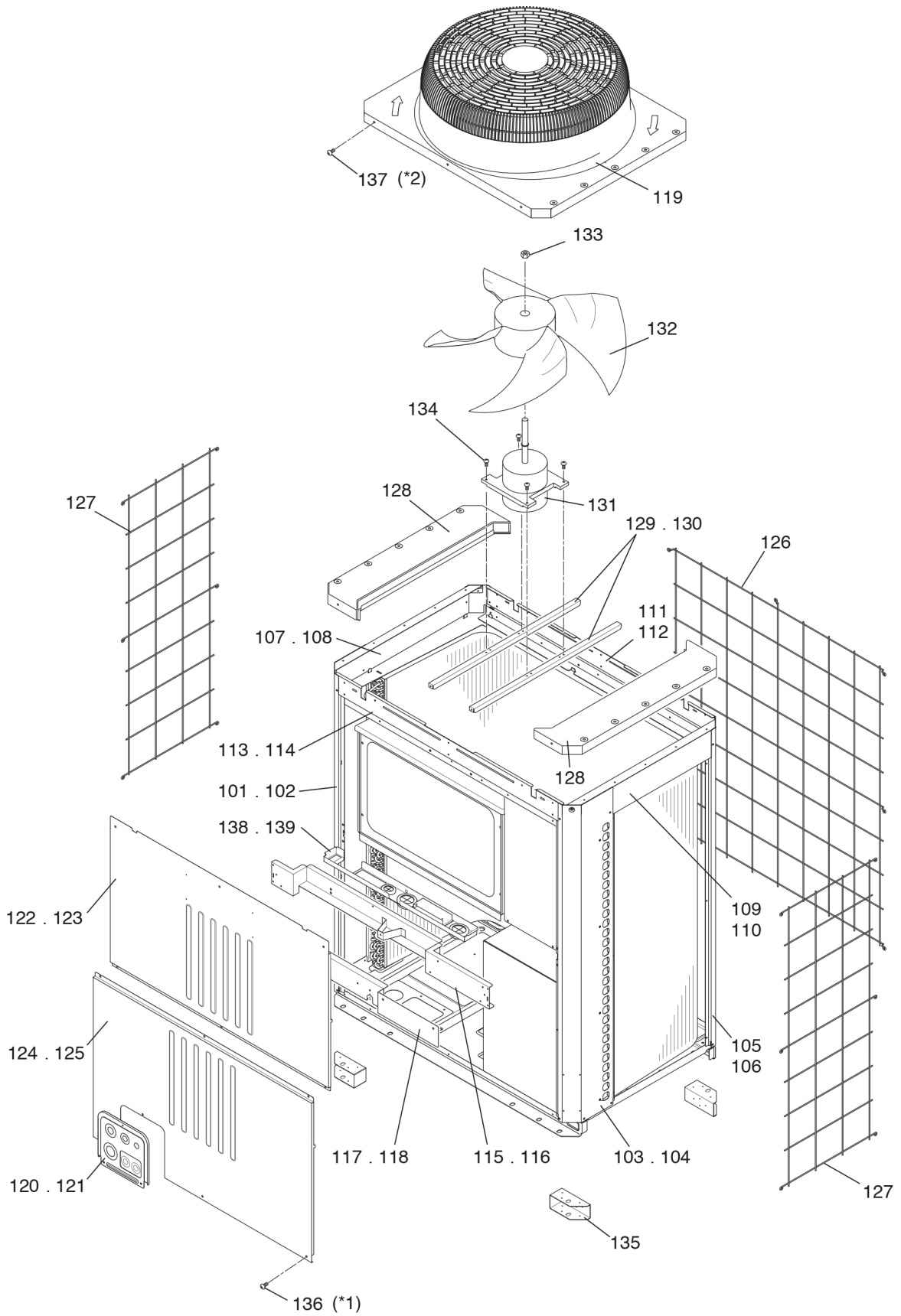
PURY-RP250YJM-B-BS

PURY-RP300YJM-B

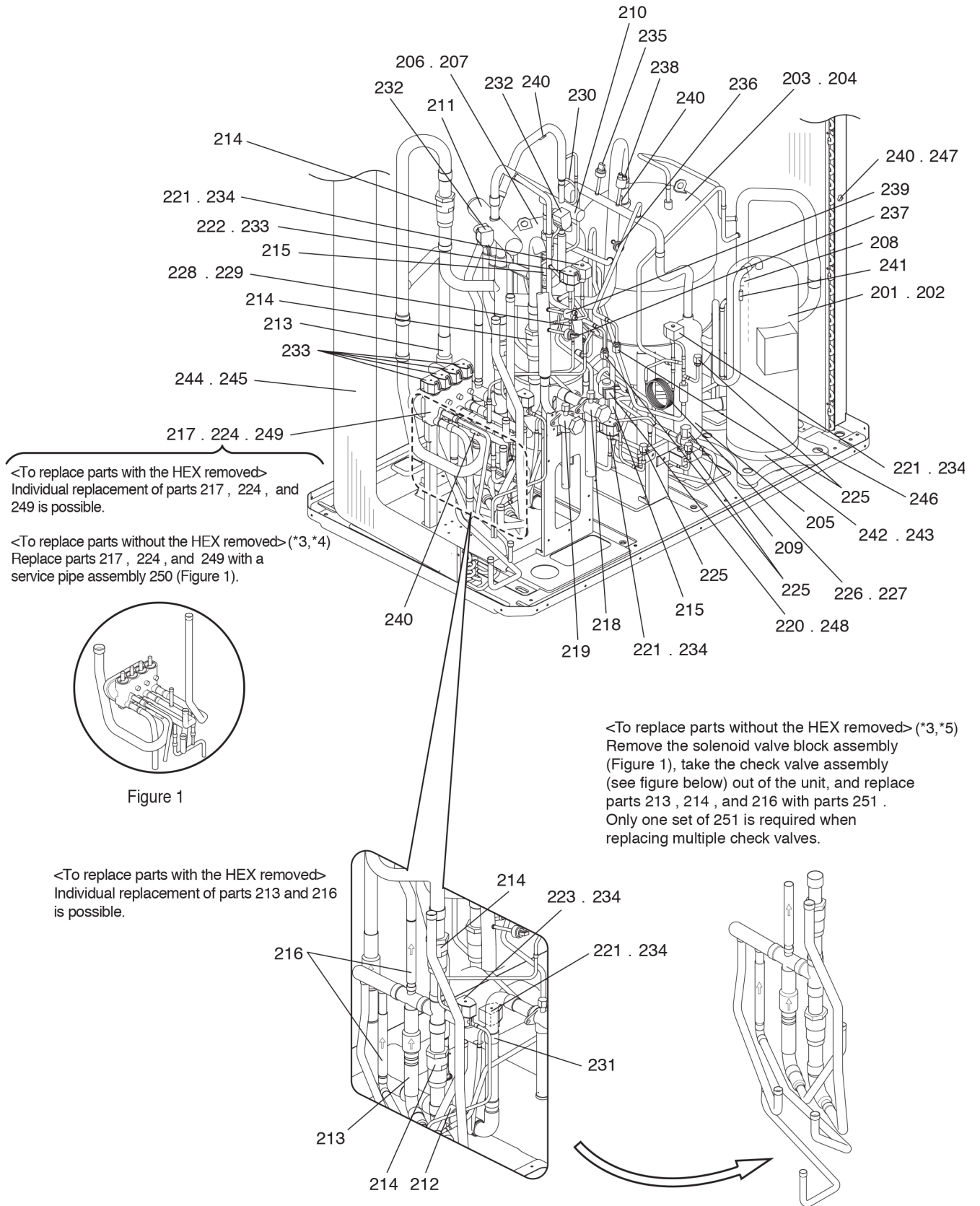
PURY-RP300YJM-B-BS

PURY-RP200YJM-B(-BS)
 PURY-RP250YJM-B(-BS)
 PURY-RP300YJM-B(-BS)

EXTERNAL PARTS & BLOWER PARTS



*1: Each unit requires 100 H screws (Part No. 136).
 *2: Each unit requires 54 WFT screws (Part No. 137).



*3: Refer to the replacement instructions provided with parts 250 and 251 for details.

*4: A solenoid valve block assy, a connecting pipe, and a sheet of replacement instructions are included with Solenoid valve block service parts kit (No. 250).

*5: A connecting pipe and a sheet of replacement instructions are included with Service parts with instructions (No. 251).

PURY-RP200YJM-B(-BS)
PURY-RP250YJM-B(-BS)
PURY-RP300YJM-B(-BS)

FUNCTIONAL PARTS

No.	Part No.	G : RoHS Apply Only W : RoHS Apply by Running Change	Part Name	Spec.	PURY-RP200YJM-B	PURY-RP200YJM-B-BS	PURY-RP250YJM-B	PURY-RP250YJM-B-BS	PURY-RP300YJM-B	PURY-RP300YJM-B-BS	Dwg. No.	Notes for the models	Revision info.
201	R69 068 478	G	Scroll compressor	ENB52FC-YE	1	1					EP10107B08		
202	R69 070 478	G	Scroll compressor	HNB78FC-YE			1	1	1	1	EP10109B08		
203	R61 065 484	G	Accumulator assy		1		1		1		KB54J613G01		
204	R61 066 484	G	Accumulator assy	BS		1		1		1	KB54J613G02		
205	R61 018 487	G	Oil separator assy		1	1	1	1	1	1	KB00T550G01		
206	R61 011 530	G	Oil tank		1		1		1		KB54J664G01	(RECOVERY)	
207	R61 012 530	G	Oil tank	BS		1		1		1	KB54J664G02	(RECOVERY)	
208	R63 4H6 534	G	Pipe assy		1	1	1	1	1	1	KB00C787G01	(SUCTION)	
209	R61 001 420	G	Three way valve	SBV-A3YGME-2	1	1	1	1	1	1	P633125X01	<BV3>	
210	R61 004 235	G	Two way valve	MHV-1104	1	1	1	1	1	1	P637048X01	<SV6>	
211	R63 Y05 154	G	Four way valve	STF-07	1	1	1	1	1	1	P633119X01	<21S4a>	
212	R61 004 418	G	Check valve	ZGVT1210	1	1	1	1	1	1	P639182X01	<CV2a>	
213	R61 001 418	G	Check valve	LCVP15-8M	2	2	2	2	2	2	P639179X02	<CV3a,CV9a>	
214	R61 002 418	G	Check valve		4	4	4	4	4	4	P639175X01	<CV4a,CV5a,CV7a,CV8a>	
215	R63 984 904	G	Check valve	BCV-804DY	2	2	2	2	2	2	P639163X01	<CV11a,CV12a>	
216	R63 R43 418	G	Check valve	BCV-1005DYQ82	2	2	2	2	2	2	P639165X01	<CV6a,CV10a>	
217	R61 030 232	G	Valve block assy		1	1	1	1	1	1	KB00L126G03	<4SV>	
218	R61 002 540	G	Valve	VSAMH8SSCM-A	1	1	1	1	1	1	P636343X01	<BV1>	
219	R61 006 538	G	Valve	VSAMH6SSCM-LA1	1	1	1	1	1	1	P636352X01	<BV2>	
220	R63 4H6 401	G	Linear expansion valve	CAM35-S	1	1	1	1	1	1	P632444X01	<SLEV>	
221	R63 P90 232	G	Solenoid valve	VPV-152D	4	4	4	4	4	4	P631277X01	<SV1a,SV5c,SV2,SV8>	
222	R63 Y07 232	G	Solenoid valve	ATS-A	1	1	1	1	1	1	P631291X01	<SV9>	
223	R63 027 232	G	Solenoid valve	VPV-L	1	1	1	1	1	1	P631296X01	<SV5b>	
224	R63 6A7 235	G	Solenoid valve	ACS METAL	4	4	4	4	4	4	P631310X01	<SV4a,SV4b,SV4c,SV4d>	
225	R61 003 413	G	Check joint L	R410A	5	5	5	5	5	5	P666001X01	<(HP)CJ1,(LP)CJ2,CJ3,CJ4,CJ5>	
226	R61 015 425	G	Capillary tube assy		1	1					KB49P478G01	<CP1>	
227	R61 016 425	G	Capillary tube assy				1	1	1	1	KB49P479G01	<CP1>	
228	R61 006 425	G	Capillary tube assy		1	1					KB49H698G01	<CP2>	
229	R61 008 425	G	Capillary tube assy				1	1	1	1	KB49H700G01	<CP2>	
230	R61 013 425	G	Capillary tube assy		1	1	1	1	1	1	KB49K872G01	<CP3>	
231	R61 008 454	G	Strainer	25.4D	1	1	1	1	1	1	KB48K250G01	<ST1>	
232	R63 Y16 243	G	Solenoid coil	STF DV	2	2	2	2	2	2	P472024X01	<21S4a,SV6>	
233	R63 Y18 243	G	Solenoid coil		5	5	5	5	5	5	P472012X01	<SV4a,SV4b,SV4c,SV4d,SV9>	
234	R61 006 243	G	Solenoid coil	VPV Y	5	5	5	5	5	5	P472046X01	<SV1a,SV2,SV5c,SV5b,SV8>	
235	R61 006 288	G	Pressure sensor	HP D173	1	1	1	1	1	1	KB00H904G09	<63HS1>	
236	R61 007 288	G	Pressure sensor	LP D173	1	1	1	1	1	1	KB00H904G10	<63LS>	
237	R63 008 288	G	Pressure sensor	HP D184	1	1	1	1	1	1	KB00F899G06	<63HS2>	
238	R63 Y11 208	G	Pressure switch	ACB1UB28W	1	1	1	1	1	1	P426320X01	<63H1>	
239	R61 003 208	G	Pressure switch	3.6OFF	1	1	1	1	1	1	P426330X01	<63H2>	
240	R61 060 200	G	Thermistor		4	4	4	4	4	4	P418065X01	<TH3,TH5,TH6,TH7>	
241	R63 911 202	G	Thermistor		1	1	1	1	1	1	P425416X02	<TH4>	
242	R61 003 237	G	Belt heater	240V 35W	1	1					P497067X01	<CH11>	
243	R63 Y07 237	G	Belt heater	240V 45W			1	1	1	1	P493781X02	<CH11>	
244	R61 465 480	G	Heat exchanger	3L	1		1				KB01T300G05		
245	R61 466 480	G	Heat exchanger	3L BS		1		1			KB01T300G06		

PURY-RP200YJM-B(-BS)
PURY-RP250YJM-B(-BS)
PURY-RP300YJM-B(-BS)

CONTROL BOX PARTS

