



Mitsubishi Electric Lossnay Component for residential, commercial or light-industrial use Lossnay Remote Controller Installation Manual PZ-60DR-E

This instruction manual describes how to install the Lossnay unit. Please read this manual thoroughly and install the remote controller accordingly. For information on how to wire and install the Lossnay units, refer to the Lossnay unit installation manual. After the installation, hand over this manual to users.

1 Safety Precautions

- Read these Safety Precautions and perform installation work accordingly.
The following two symbols are used to dangers that may be caused by incorrect use and their degree:
WARNING This symbol denotes what could lead to a serious injury or death if you misuse the PZ-60DR-E.
CAUTION This symbol denotes what could lead to a personal injury or damage to your property if you misuse the PZ-60DR-E.

- After reading this installation manual, give it and the indoor unit installation manual to the end user.
The end user should keep this manual and the indoor unit installation manual in a place where he or she can see it at anytime.
When someone moves or repairs the PZ-60DR-E, make sure that this manual is forwarded to the end user.

WARNING

Ask your dealer or technical representative to install the unit. Any deficiency caused by your own installation may result in an electric shock or fire.

Install in a place which is strong enough to withstand the weight of the PZ-60DR-E. Any lack of strength may cause the PZ-60DR-E to fall down, resulting in personal injury.

Firmly connect the wiring using the specified cables. Carefully check that the cables do not exert any force on the terminals. Improper wiring connections may produce heat and possibly a fire.

Never modify or repair the PZ-60DR-E by yourself. Any deficiency caused by your modification or repair may result in an electric shock or fire. Consult with your dealer about repairs.

CAUTION

Do not install in any place exposed to flammable gas leakage. Flammable gases accumulated around the body of PZ-60DR-E may cause an explosion.

Do not use in any special environment. Using in any place exposed to oil (including machine oil), steam and sulfuric gas may deteriorate the performance significantly or give damage to the component parts.

When installing the remote controller in a hospital or communication facility, take ample countermeasures against noise. Inverters, emergency power supply generators, high-frequency medical equipment, and wireless communication equipment can cause the remote controller to malfunction or to fail.

Wires so that it does not receive any tension. Tension may cause wire breakage, heating or fire.

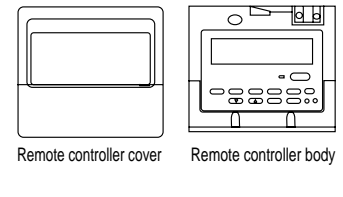
Completely seal the wire lead-in port with putty etc. Any dew, moisture, insects entering the unit may cause an electric shock or a malfunction.

Do not install in any place at a temperature of more than 40°C or less than 0°C or exposed to direct sunlight. Doing so may cause deformation or malfunction.

2 Confirming the Supplied Parts

Confirm that the box includes the following parts, in addition to this installation manual:

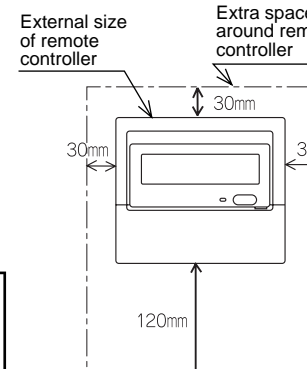
- Remote controller (cover, body)
Cross recessed pan head screw (M4 x 30)
Wood screw (M4.1 x 16, used for directly hooking to the wall)



3 How To Install

1. Choose a place in which to install the remote controller (switch box).

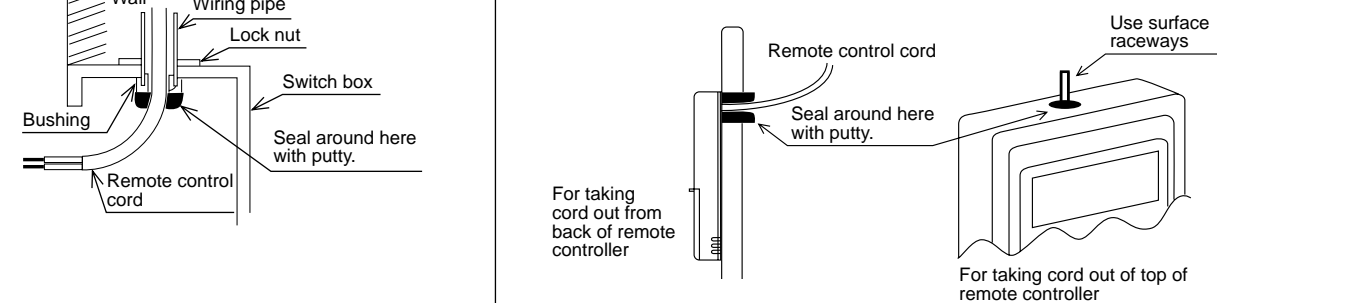
- Be sure to observe the following steps:
(1) When installing on either the switch box or the wall, allow extra space around the remote controller as shown in the figure at the right.
(2) Parts which must be supplied on site:
Switch box for two units
Thin-copper wiring pipe
Lock nut and bushing
Surface raceways



- Construction precautions:
Do not connect a wire exceeding the specified thickness to the terminal block. (This can lead to damage.)
Do not run together with other wiring in a wiring conduit. (This can cause communication errors.)
Do not connect multiple communication lines using a single multi-core cable. (This can cause communication errors.)
The total length of the communication line must be 500 m or less. (This can cause communication errors.)

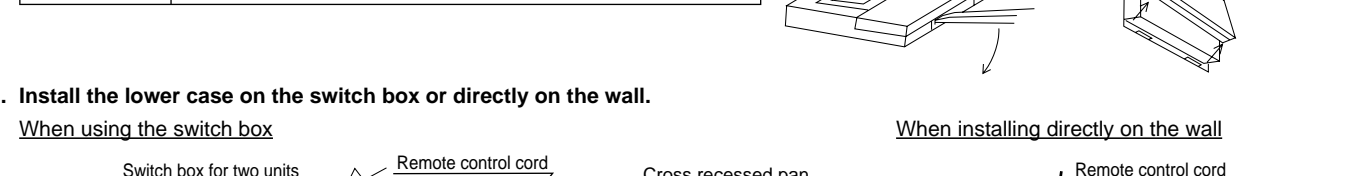
2. Seal the remote controller cord with putty in order to prevent the possible entry of dew, water droplets, cockroaches, other insects, etc.

- When installing on the switch box:
When installing on the switch box, seal the connections between the switch box and wiring pipe with putty.
When routing the cord via the portion cut off from the upper cover, similarly seal that portion with putty.
When taking the remote controller cord from back of the controller, use surface raceways.



3. Remove the remote controller cover.

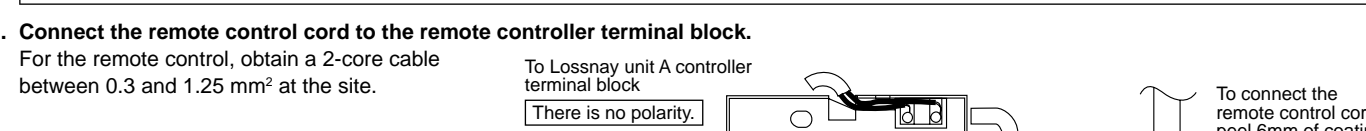
- Insert a flathead screwdriver into one of the open slots and move the screwdriver in the arrow direction.
Remove the cover carefully so as to avoid any damage.
Do not turn the screwdriver in the slot. Doing so may damage the slot.



4. Install the lower case on the switch box or directly on the wall.

- When using the switch box:
Seal the remote control cord lead-in hole with putty.
When installing directly on the wall:
Seal the remote control cord lead-in hole with putty.
Do not tighten the screws too tight. Doing so may deform or crack the lower cover.

NOTE: Choose a flat plane for installation. Fasten the switch box at more than two places when installing directly on the wall. When reinstalling on the wall, fasten securely using anchors.

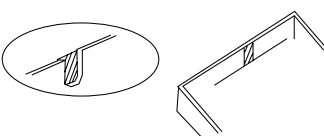


CAUTION Do not use crimp terminals to connect to remote controller terminal blocks. The terminals may contact the board and cause trouble or contact the cover and damage the cover.

CAUTION Prevent remote cord chips from getting into the remote controller. Electric shock or malfunction may result.

6. Wiring hole for installing directly on the wall (or open wiring)

- Cut off the shaded area from the upper cover using a knife, plippers, etc.
Take out the remote control cord connected to the terminal block via this portion.



7. Install the cover to the remote controller.

- First, hook the cover to the two upper claws and then fit it to the remote controller.

CAUTION Press the cover until it snaps shut. If not, it may fall off. NOTE: A protection sheet is stuck to the operation section. Peel off this protection sheet before use.

4 Test Run

Table with 5 columns: Operation, Relevant button, Relevant display items, and Sequence. It details the steps for starting the unit, setting ventilation mode, selecting fan speed, and stopping the unit.

If you press a button for a feature that is not installed at the Lossnay unit, the remote controller will display the "NOT AVAILABLE" message. If set to "24-hour Ventilation", pressing the ON/OFF button will cause this to be displayed in the dot display "24HR VENTILATION", and the operation will switch to Extra low fan speed mode.

If error code is displayed, refer to the following table.

Error code table with columns: Error code, Cause, and Action. It lists various error codes like 0900, 6608, 4116, 3126, 5101, 5102, 3602, 6600, 6603, 6606, 6607 and their corresponding troubleshooting actions.

5 Function Selection

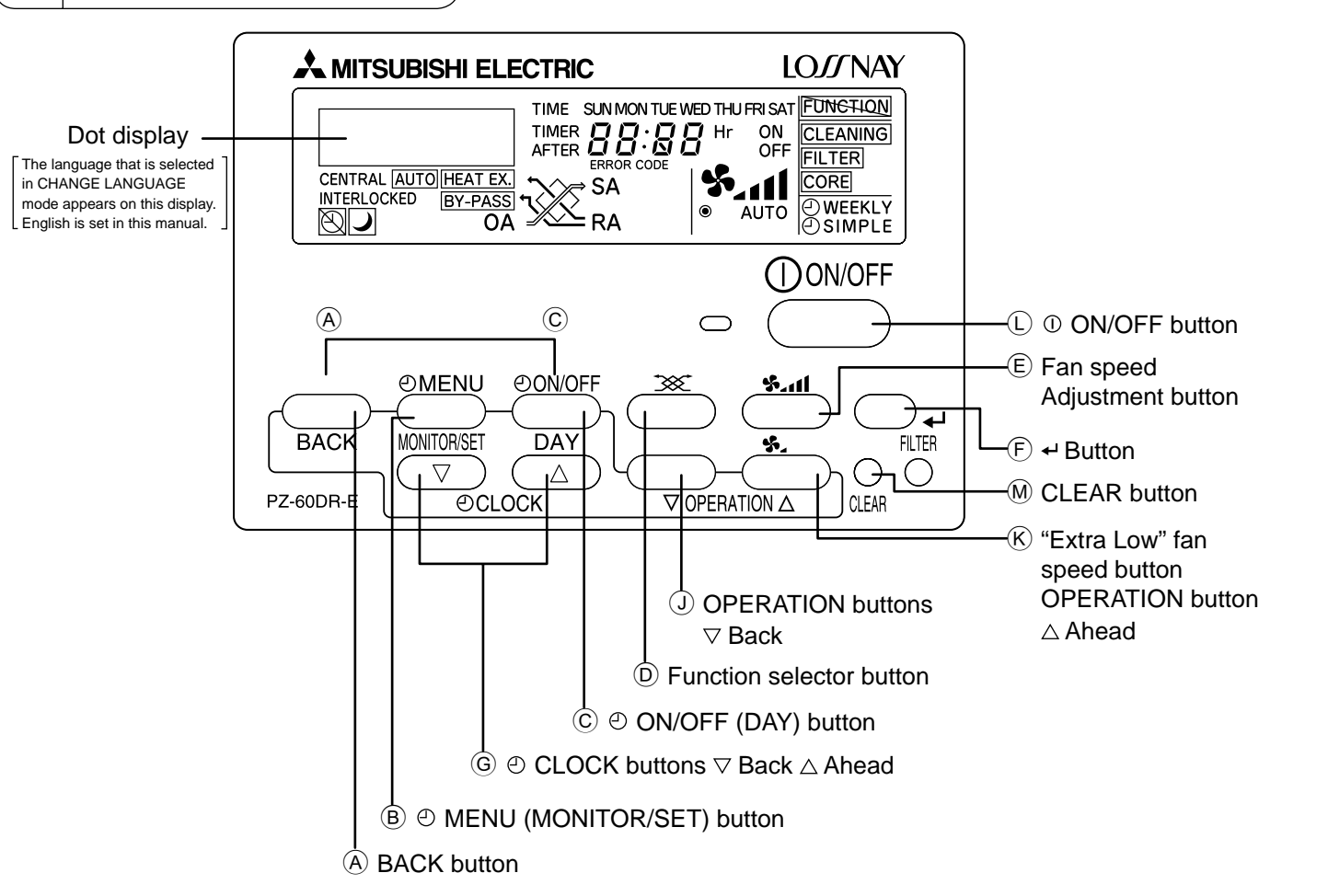
Function selection of remote controller The setting of the following remote controller functions can be changed using the remote controller function selection mode. Change the setting when needed.

Table with 3 columns: Item 1, Item 2, and Item 3 (Setting content). It details settings for Change Language, Function limit, Mode selection, Display change, Installation settings, Interlocking settings, and Interlocking settings.

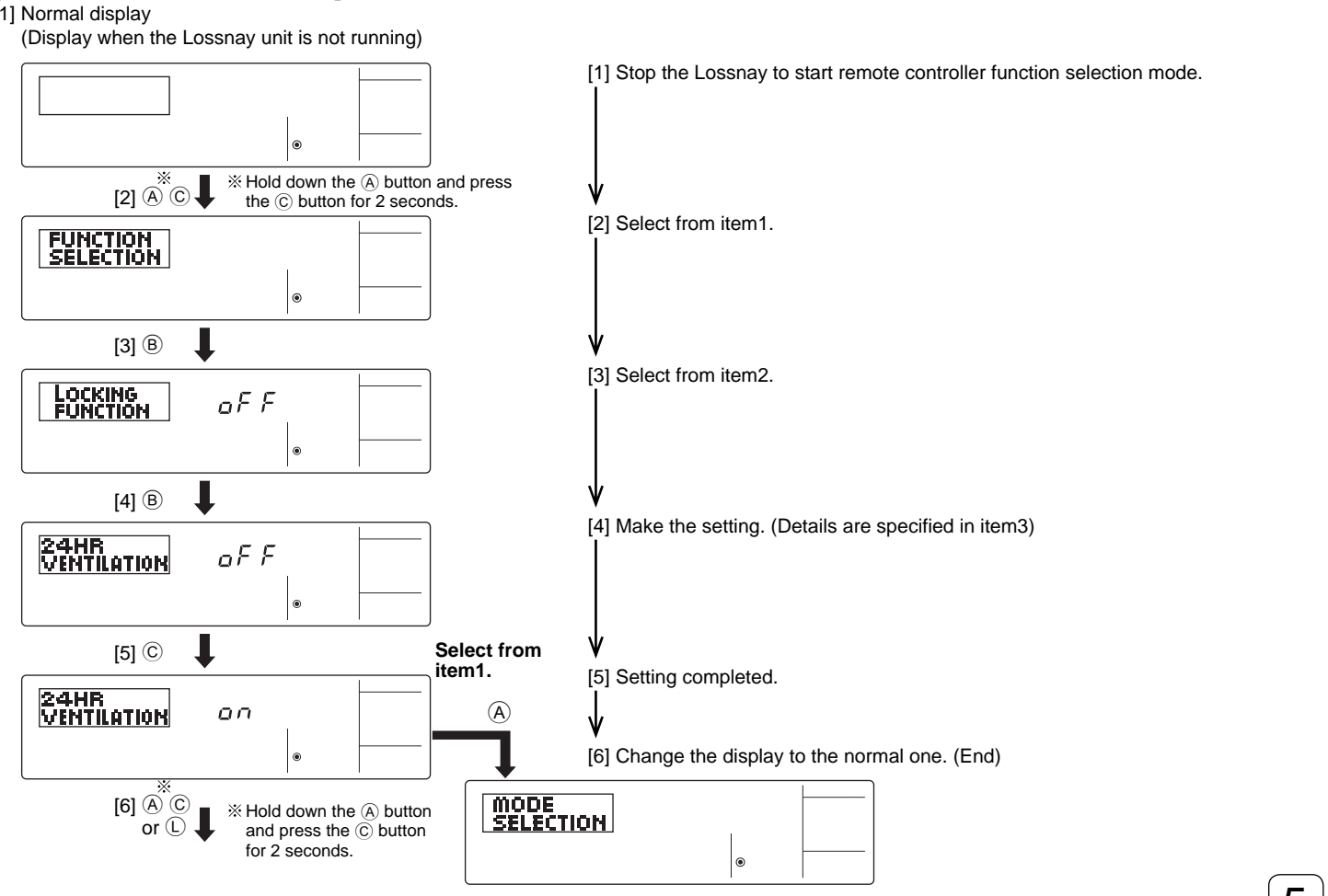
[5] Installation settings and [6] Interlocking settings are selection modes that allow overriding of Lossnay unit Dip switches settings via remote controllers. When a remote controller is set to factory setting, the system operates according to the main unit Dip switch settings.

NOTE When the functions of the Lossnay unit were changed by function selection after installation, always indicate the set contents by entering 0 or other mark in the appropriate check field of the tables shown in page 7 and 8. (Settings may be lost if the remote controller malfunctions.)

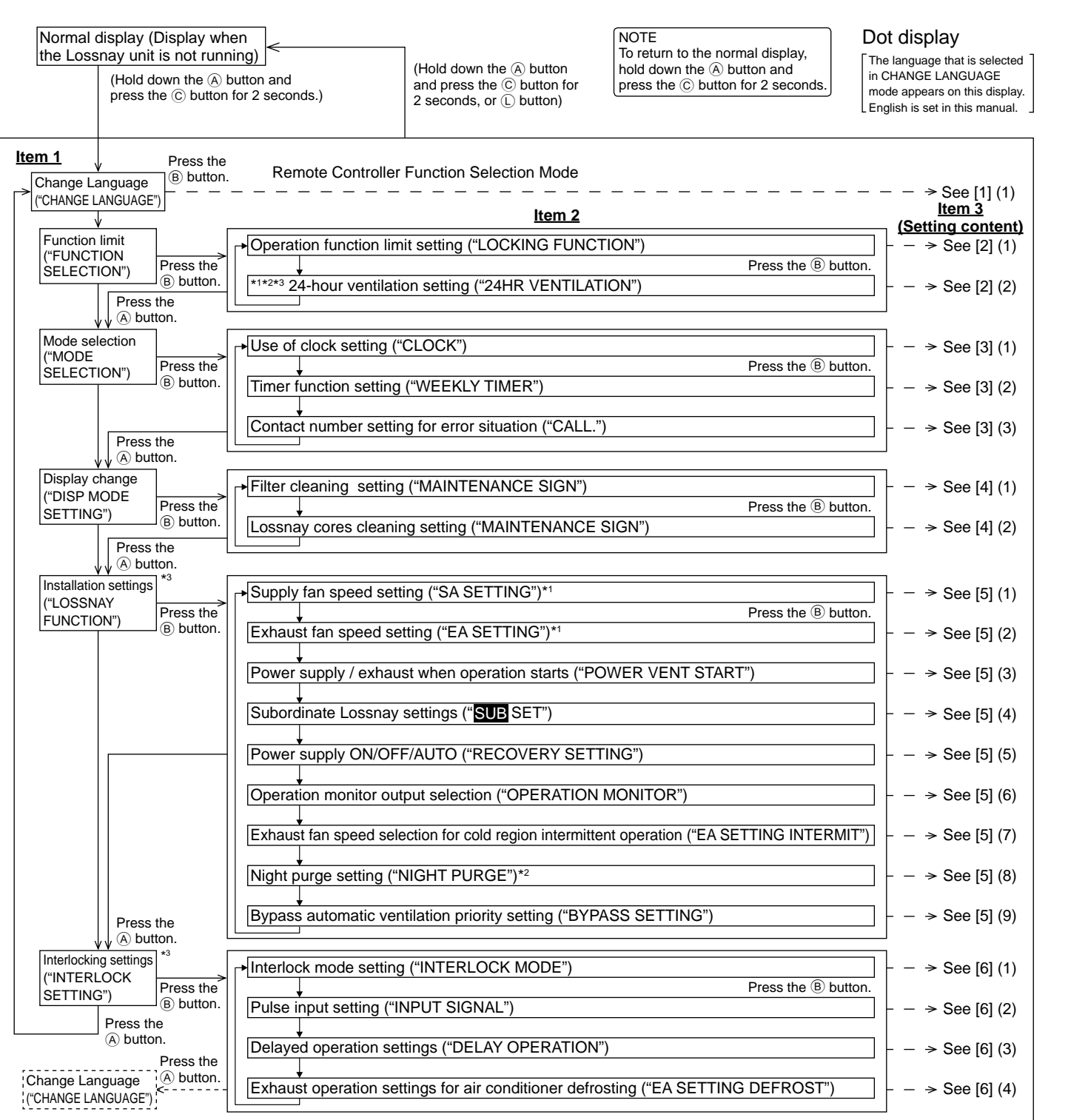
5 Function Selection



[Function selection flowchart]



- If the remote controller Function Selection mode is entered during timer operation, the timer operation will be cancelled.
When using two remote controllers, if one remote controller is set to remote controller Function Selection mode, "FUNCTION" will be displayed in the other remote controller and its operation will be disabled.



*1 For the Lossnay models without those functions, those setting items will be nondisplay. *2 Those settings can be disabled depending on the other setting conditions. *3 When two remote controllers are used, the settings will be displayed only in the main remote controller.

[1] Change Language

The language that appears on the dot display can be selected. Press the MENU button to change the language. Japanese (日本語) (ja), English (en), German (de), Spanish (es), Russian (ru), Italian (it), Chinese (zh), French (fr)

[2] Function limit

Table for Function limit settings showing Dot display, Display, Function, and Check columns. It details settings for Locking Function and 24HR VENTILATION.

* To make the operation lock setting valid on the normal screen, it is necessary to press buttons (Press and hold down the FILTER and ON/OFF buttons at the same time for 2 seconds) on the normal display after the above setting is made. * The same operation is used to cancel the lock.

[3] Mode selection

Table for Mode selection settings showing Dot display, Display, Function, and Check columns. It details settings for Weekly Timer, Simple Timer, and Timer Mode Off.

[4] Installation settings

Table for Installation settings showing Dot display, Display, Function, and Check columns. It details settings for SA Setting, EA Setting, and Power Vent Start.

[5] Interlocking settings

Table for Interlocking settings showing Dot display, Display, Function, and Check columns. It details settings for Interlock Mode, Input Signal, and Sub Set.

[6] Recovery setting

Table for Recovery setting showing Dot display, Display, Function, and Check columns. It details settings for Recovery Setting and Operation Monitor.

[7] Installation settings (continued)

Table for Installation settings showing Dot display, Display, Function, and Check columns. It details settings for Exhaust fan speed and Night Purge.

[8] Bypass automatic ventilation priority setting

Table for Bypass automatic ventilation priority setting showing Dot display, Display, Function, and Check columns. It details settings for Bypass Setting and Power Vent Start.

[9] Interlocking settings (continued)

Table for Interlocking settings showing Dot display, Display, Function, and Check columns. It details settings for Interlock Mode, Input Signal, and Sub Set.

[10] Delayed operation settings

Table for Delayed operation settings showing Dot display, Display, Function, and Check columns. It details settings for Input Signal and Delayed Operation.

[11] Exhaust operation settings

Table for Exhaust operation settings showing Dot display, Display, Function, and Check columns. It details settings for Delayed Operation and Exhaust Operation.

[12] Operation monitor

Table for Operation monitor showing Dot display, Display, Function, and Check columns. It details settings for Input Signal and Delayed Operation.