

The Renewable Solutions Provider

Making a World of Difference

The New Mr Slim SLZ / City Multi PLFY
Cassette Range



Air Conditioning | Heating
Ventilation | Controls

Combining great looks with the latest energy-saving technologies

The new 600 X 600 4-way blow cassette by Mitsubishi Electric is designed to offer a product that fits snugly to ceilings with a height of only 245mm. Its slimline design provides clear lines for excellent aesthetics which is ideal in office and retail environments.

It is available for the popular Mr Slim split-system and City Multi VRF air conditioning ranges.



3D i-see Sensor Technology (optional)

The new Mitsubishi Electric ceiling cassette

The **smart solution** for today's buildings



Designed for People

The new square, slimline grille design is easy on the eye and on the ear. Occupants simply enjoy great indoor air quality and steady temperatures.

The cassette is white in colour to blend seamlessly into any interior design. While a new 3D turbo fan reduces the sound level compared to the previous model.

Best of all, the cassette offers a unique horizontal airflow feature. Rather than pushing air down into an occupied space, this new cassette can direct air horizontally across the ceiling. This means no draughts or discomfort for those working or shopping in the space below - **just reliable heating and cooling.**



The Line Up

Mr.SLIM™

CITY MULTI

The new ceiling cassette is also versatile in its application, and its compatibility with our industry leading **Mr Slim** and **City Multi VRF** ranges makes it the ideal solution for any load requirement.

- **Mr Slim SLZ-KF 25/35/50/60 VA2** models are a good fit for small to medium sized commercial premises
- **City Multi PLFY-P 15/20/25/32/40/50 VFM-E** models are more suited to larger scale applications

Both models benefit from noise reduction and horizontal airflow features, while maintaining a stylish design that other ceiling cassette ranges lack.



The Smart Solution for Installers

The new slimline 600 x 600 4-way blow ceiling cassette has been designed with installers in mind. The slim cassette is only **245mm in height**, allowing for installation in narrow spaces.

Temporary hanging hooks (1) mean that installers find it much easier to hold the cassette in place while they are working.

A **drop-prevention cord** (2) ensures the panels do not fall, and hexagonal screws can be removed even if the screw hole becomes worn.

What's more, installers can work on the new cassette **without removing the screws** (3) from the control box - reducing risk and annoyance.



Drain Pump Improvement

Another new design feature ideal for installers is an improved drain pump.

The new drain pump lifts up to 850mm (compared to the previous 500mm) due to a newly designed drain-pan expanded capacity. This gives additional flexibility to installers; while the new drain pump motor provides further energy savings and keeps noise levels low.

Noise and Airflow

New 3D Turbo Fan

Along with the addition of a unique horizontal airflow feature, a new 3D turbo fan has been included.

This fan dramatically reduces air noise, and combined with features such as Draught Reduction Mode, it allows for an improved room environment.

New Vane Settings

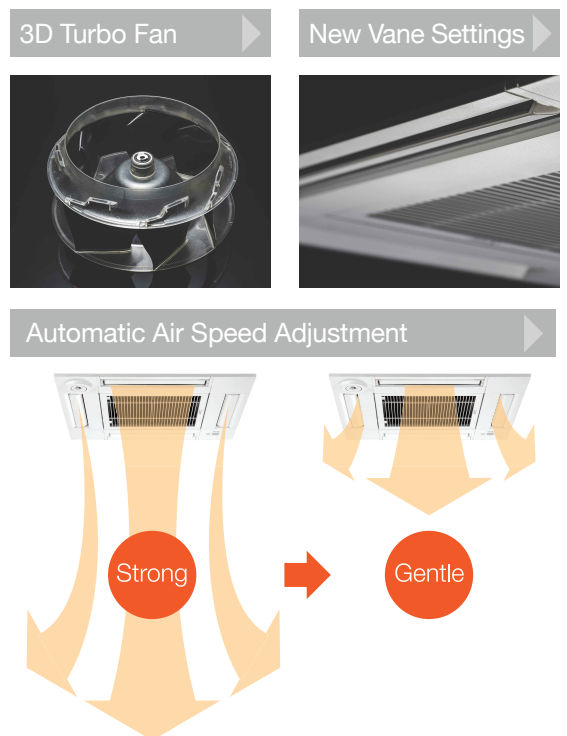
The airflow is also enhanced due to 5 new vane settings that can be adjusted to suit a users preference.

Essentially air flow can be directed towards certain areas of a room depending on the occupants requirements. Each vane can also be set independently.

Automatic Air Speed Adjustment

This new air speed adjustment feature enables the indoor cassette unit to automatically adjust its air speed once a room has met a desired temperature.

The air speed will decrease in order to maintain a comfortable heating or cooling operation.



3D i-see Sensor Technology (optional)

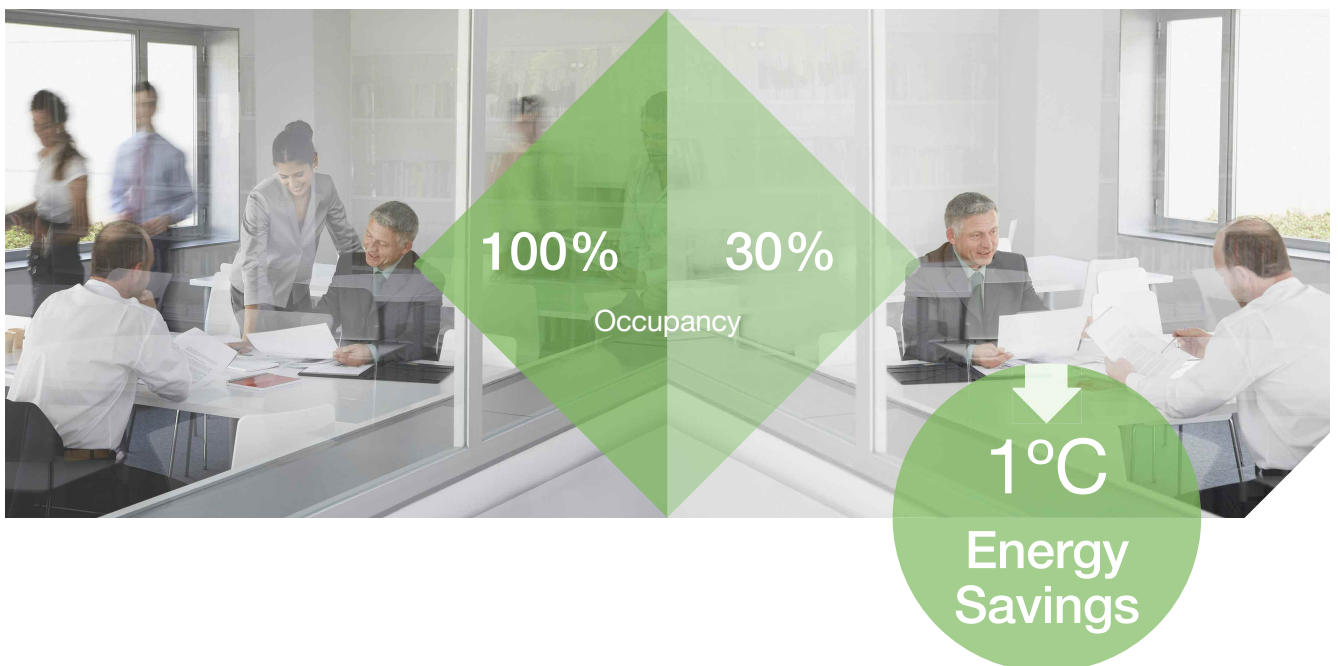
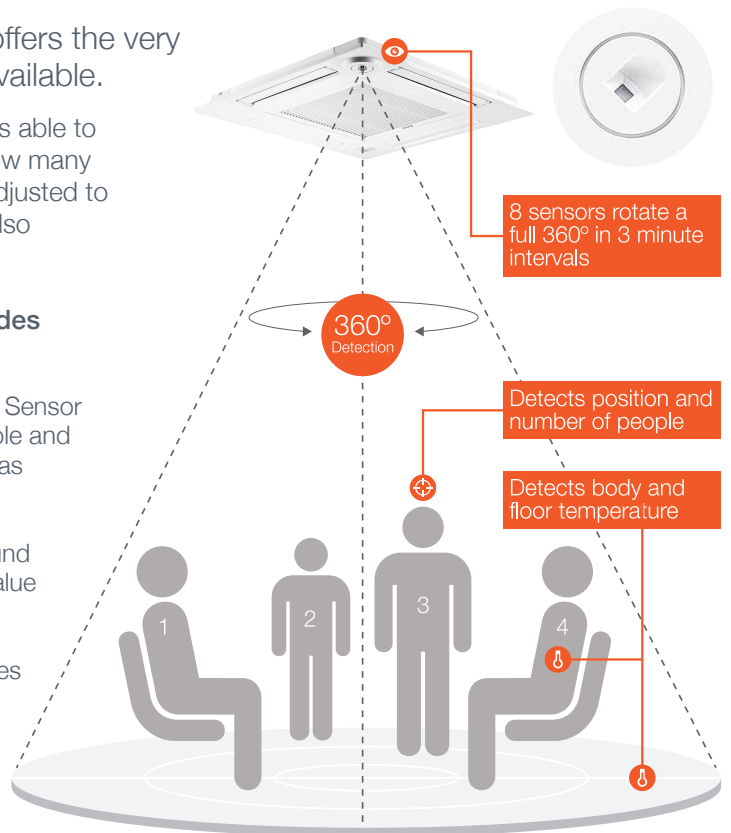
The Mitsubishi Electric 3D i-see Sensor is one of the most advanced sensor technologies available on the market.

It is embedded in the cassette grille and offers the very best demand control of air conditioning available.

The sensor scans a room every 2-3 minutes and is able to detect not only if a space is occupied, but also how many people are present. Heating and cooling is then adjusted to the exact requirements of the occupants - while also ensuring energy efficiency.

This is further improved by **3 energy savings modes** all set via the PAR-32MAA controller.

- 1 When there is occupancy in a room the 3D i-see Sensor will regularly scan to monitor the number of people and adjust the vanes automatically, relative to the areas where people are detected.
- 2 When occupancy levels in the room drop to around 30% the temperatures can be adjusted by the value of 1°C up or down.
- 3 When the room is empty for longer than 60 minutes the sensor will adjust the temperature by a value of 2°C up or down. The unit will automatically stop once a room is empty for 60-180 minutes (time can also be set in 10 minute increments).



A video which further explains how the 3D i-see Sensor works is available on our dedicated YouTube page: [youtube.com/mitsubishielectric2](https://www.youtube.com/mitsubishielectric2)

Technical specifications

SLZ-KF (Single Phase)

600 x 600 4-Way Blow Ceiling Cassette System

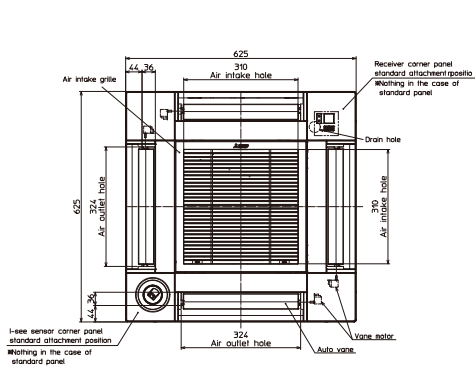


INDOOR UNIT		SLZ-KF25VA2	SLZ-KF35VA2	SLZ-KF50VA2	SLZ-KF60VA2
CAPACITY (kW)	Heating (nominal)	3.2 (1.3-4.2)	4.0 (1.7-5.0)	5.0 (1.7-6.0)	6.4 (2.5-7.4)
	Cooling (nominal)	2.6 (1.5-3.2)	3.5 (1.4-3.9)	4.6 (2.3-5.2)	5.6 (2.3-6.5)
	Heating (UK)	2.72 (1.11-3.80)	3.40 (1.45-4.25)	4.25 (1.45-5.10)	5.12 (2.0-5.92)
	Cooling (UK)	2.39 (1.38-2.94)	3.22 (1.29-3.59)	4.23 (2.12-4.78)	5.54 (2.27-6.43)
SHF (Nominal & UK)		0.81	0.75	0.71	0.71
COP / EER (Nominal)		3.61 / 3.00	3.61 / 3.60	3.21 / 3.30	2.81 / 3.17
SCOP / SEER (BS EN14825)		4.3 / 6.3	4.3 / 6.5	4.3 / 6.3	4.1 / 6.2
ERP ENERGY EFFICIENCY CLASS Heating/Cooling		A+ / A++	A+ / A++	A+ / A++	A+ / A++
AIRFLOW (l/s) Lo-Mi-Hi		108-125-142	108-133-158	117-150-192	125-192-217
PIPE SIZE MM (in)	Gas	9.52 (3/8")	9.52 (3/8")	12.7 (1/2")	15.88 (5/8")
	Liquid	6.35 (1/4")	6.35 (1/4")	6.35 (1/4")	6.35 (1/4")
SOUND PRESSURE LEVEL (dBA) Lo-Mi-Hi		25-28-31	25-30-34	27-34-39	32-40-43
SOUND POWER LEVEL (dBA)		48	51	56	60
DIMENSIONS (mm) Width x Depth x Height		570 (625) x 570 (625) x 245 (10)	570 (625) x 570 (625) x 245 (10)	570 (625) x 570 (625) x 245 (10)	570 (625) x 570 (625) x 245 (10)
WEIGHT (kg) Unit / Grille		15 / 3	15 / 3	15 / 3	15 / 3
ELECTRICAL SUPPLY		Fed by Outdoor Unit	Fed by Outdoor Unit	Fed by Outdoor Unit	Fed by Outdoor Unit
FUSE RATING (BS88) - HRC (A)		6	6	6	6
INTERCONNECTING CABLE NO. CORES		4	4	4	4
GRILLE REFERENCE		SLP-2FA (STD)	SLP-2FA (STD)	SLP-2FA (STD)	SLP-2FA (STD)
WIRED REMOTE CONTROLLER REFERENCE		PAR-32MAA	PAR-32MAA	PAR-32MAA	PAR-32MAA

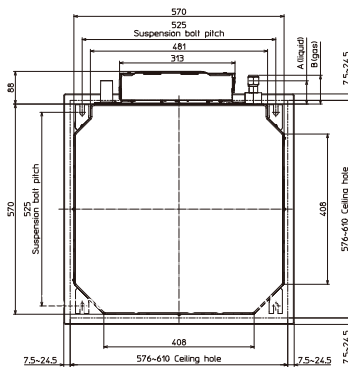
OUTDOOR UNITS		SUZ-KA25VA5	SUZ-KA35VA5	SUZ-KA50VA5	SUZ-KA60VA5
SOUND PRESSURE LEVEL (dBA) Heating/Cooling		48 / 47	50 / 49	52 / 52	55 / 55
SOUND POWER LEVEL (dBA) Cooling		58	62	65	65
WEIGHT (kg)		30	35	54	50
DIMENSIONS (mm) Width x Depth x Height		800 x 285 x 550	800 x 285 x 550	840 x 330 x 880	840 x 330 x 880
ELECTRICAL SUPPLY		220-240v, 50Hz	220-240v, 50Hz	220-240v, 50Hz	220-240v, 50Hz
PHASE		Single	Single	Single	Single
SYSTEM POWER Heating/Cooling (nominal)		0.89 / 0.680	1.11 / 0.97	1.56 / 1.39	2.28 / 1.77
INPUT (kW) Heating/Cooling (UK)		0.71 / 0.58	0.89 / 0.84	1.25 / 1.19	1.82 / 1.51
STARTING CURRENT (A)		4.2	5.1	7.0	10.1
SYSTEM RUNNING CURRENT (A) Heating/Cooling [MAX]		3.2 / 4.2 [7.2]	4.5 / 5.1 [8.4]	6.3 / 7.10 [12.30]	7.8 / 10.1 [14]
FUSE RATING (BS88) - HRC (A)		10	10	20	20
MAINS CABLE No. Cores		3	3	3	3
MAX PIPE LENGTH (m)		20	20	30	30
MAX HEIGHT DIFFERENCE (m)		12	12	30	30
CHARGE R410A (kg) - 7m		0.8	1.15	1.60	1.60

DIMENSIONS

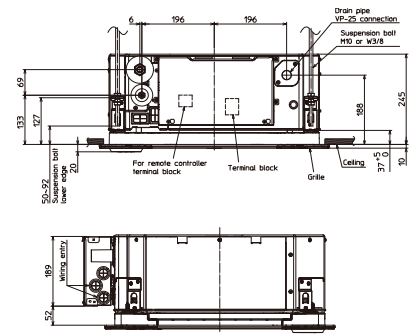
Lower View



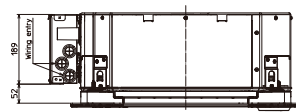
Upper View



Front View



Side View



PLFY-P

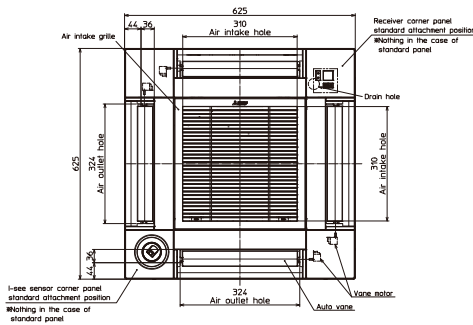
600 x 600 4-Way Blow Ceiling Cassette



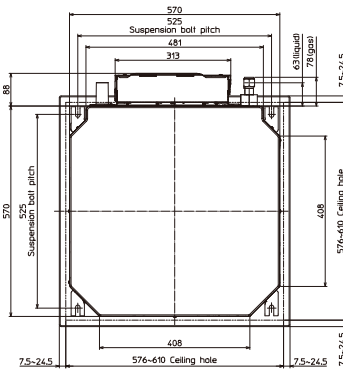
INDOOR UNIT		PLFY-P15VFM-E	PLFY-P20VFM-E	PLFY-P25VFM-E	PLFY-P32VFM-E	PLFY-P40VFM-E	PLFY-P50VFM-E
CAPACITY (kW)	Heating (nominal)	1.9	2.5	3.2	4.0	5.0	6.3
	Cooling (nominal)	1.7	2.2	2.8	3.6	4.5	5.6
	UK Heating	1.9	2.5	3.2	4.0	5.0	6.3
	UK Total Cooling - Hi (Sensible)	1.50 (1.30)	2.00 (1.60)	2.50 (2.00)	3.20 (2.40)	4.00 (2.90)	5.00 (3.60)
	UK Total Cooling - Mi1	1.48	1.94	2.38	3.06	3.78	4.78
	UK Total Cooling - Lo	1.41	1.84	2.24	2.91	3.51	4.41
	UK Total Cooling - Hi (Sensible) (Raised Evaporation Temperature*)	- (-)	- (-)	- (-)	- (-)	- (-)	- (-)
POWER INPUT (kW)	Heating (nominal)	0.02	0.02	0.02	0.02	0.03	0.03
	Cooling (nominal)	0.02	0.02	0.02	0.02	0.03	0.03
AIRFLOW (l/s)	Lo-Mi1-Hi	108-125-133	108-125-142	108-133-150	117-133-158	125-150-183	150-183-217
SOUND PRESSURE LEVEL (dBA)	Lo-Mi1-Hi	26-28-30	26-29-31	26-30-33	26-30-34	28-33-39	33-39-43
WEIGHT (kg)	(Grille)	14 (3)	14 (3)	14 (3)	15 (3)	15 (3)	15 (3)
DIMENSIONS (mm)	Width x Depth x Height	570 (625) x 570 (625) x 245 (10)	570 (625) x 570 (625) x 245 (10)	570 (625) x 570 (625) x 245 (10)	570 (625) x 570 (625) x 245 (10)	570 (625) x 570 (625) x 245 (10)	570 (625) x 570 (625) x 245 (10)
ELECTRICAL SUPPLY		220-240v, 50Hz	220-240v, 50Hz	220-240v, 50Hz	220-240v, 50Hz	220-240v, 50Hz	220-240v, 50Hz
PHASE		Single	Single	Single	Single	Single	Single
RUNNING CURRENT (A)	Heating	0.14	0.16	0.17	0.18	0.23	0.35
	Cooling	0.19	0.21	0.22	0.23	0.28	0.4
FUSE RATING (BS88) - HRC (A)		6	6	6	6	6	6
MAINS CABLE NO. CORES		3	3	3	3	3	3
GRILLE MODEL REFERENCE		SLP-2FA	SLP-2FA	SLP-2FA	SLP-2FA	SLP-2FA	SLP-2FA

DIMENSIONS

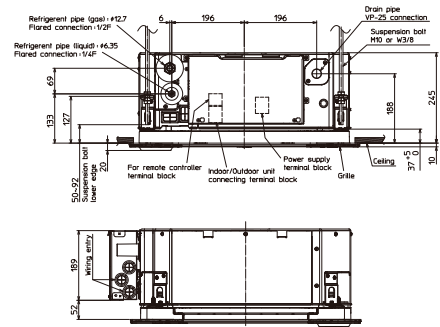
Lower View



Upper View



Front View



Side View

Note: * Figures available separately. Please consult with your sales office for application of this feature.



Telephone: 01707 282880

MELSmart Technical Services: 0161 866 6089

Technical Help - option 1

Warranty - option 3

Training - option 6 followed by option 1

email: air.conditioning@meuk.mee.com

website: airconditioning.mitsubishielectric.co.uk

website: recycling.mitsubishielectric.co.uk

UNITED KINGDOM Mitsubishi Electric Europe Living Environmental Systems Division
Travellers Lane, Hatfield, Hertfordshire, AL10 8XB, England
General Enquiries Telephone: 01707 282880 Fax: 01707 278881

IRELAND Mitsubishi Electric Europe Westgate Business Park, Ballymount, Dublin 24, Ireland
Telephone: Dublin (01) 419 8800 Fax: Dublin (01) 419 8890 International code: (003531)

Country of origin: United Kingdom – Japan – Thailand – Malaysia. ©Mitsubishi Electric Europe 2016. Mitsubishi and Mitsubishi Electric are trademarks of Mitsubishi Electric Europe B.V. The company reserves the right to make any variation in technical specification to the equipment described, or to withdraw or replace products without prior notification or public announcement. Mitsubishi Electric is constantly developing and improving its products. All descriptions, illustrations, drawings and specifications in this publication present only general particulars and shall not form part of any contract. All goods are supplied subject to the Company's General Conditions of Sale, a copy of which is available on request. Third-party product and brand names may be trademarks or registered trademarks of their respective owners.

Printed in July 2016 SAP No. 299265



www.greengateway.mitsubishielectric.co.uk

Mitsubishi Electric UK's commitment
to the environment



Follow us @meuk_les
Follow us @green_gateway



Mitsubishi Electric
Living Environmental Systems UK



youtube.com/mitsubishielectric2