

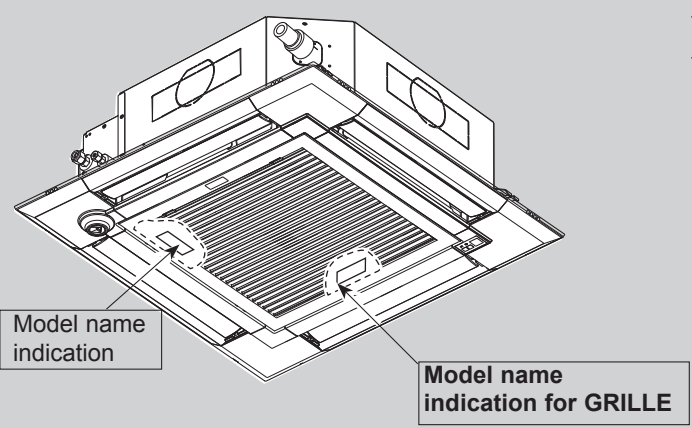
# PARTS CATALOG

## Series PLA Ceiling Cassettes

## R410A

| Indoor unit<br>[Model Name] | [Service Ref.]        |
|-----------------------------|-----------------------|
| PLA-ZP35EA                  | <b>PLA-ZP35EA.UK</b>  |
| PLA-ZP50EA                  | <b>PLA-ZP50EA.UK</b>  |
| PLA-ZP60EA                  | <b>PLA-ZP60EA.UK</b>  |
| PLA-ZP71EA                  | <b>PLA-ZP71EA.UK</b>  |
| PLA-ZP100EA                 | <b>PLA-ZP100EA.UK</b> |
| PLA-ZP125EA                 | <b>PLA-ZP125EA.UK</b> |
| PLA-ZP140EA                 | <b>PLA-ZP140EA.UK</b> |

Note:  
• RoHS compliant products have <G> mark on the spec name plate.



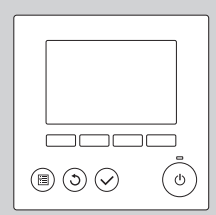
**CONTENTS**

1. RoHS PARTS LIST .....2

**SERVICE MANUAL (OCH625)**



**WIRELESS REMOTE  
CONTROLLER**  
(Option)



**WIRED REMOTE  
CONTROLLER**  
(Option)



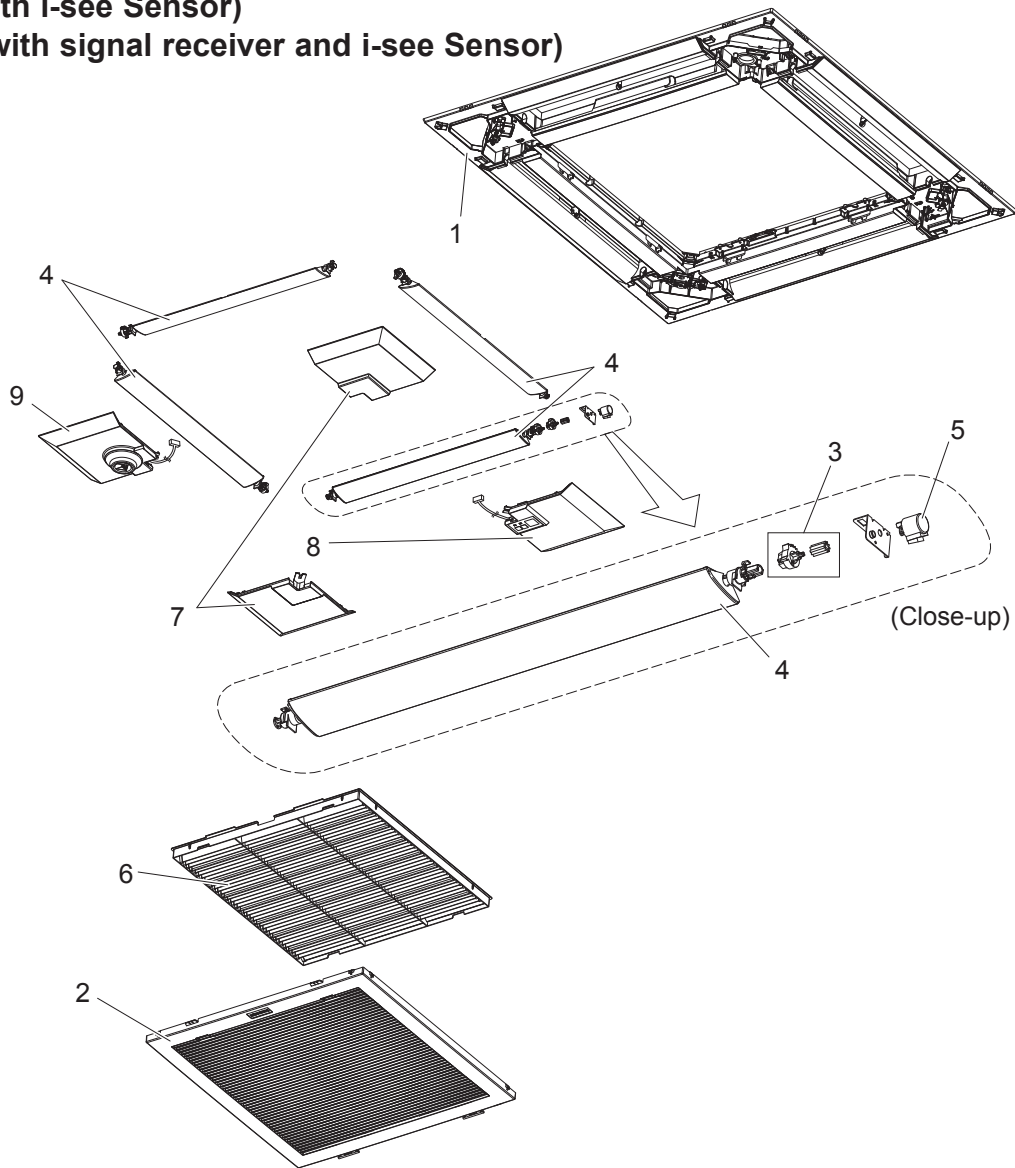
## PANEL PARTS

PLP-6EA (Standard)

PLP-6EAL (with signal receiver)

PLP-6EAE (with i-see Sensor)

PLP-6EALE (with signal receiver and i-see Sensor)

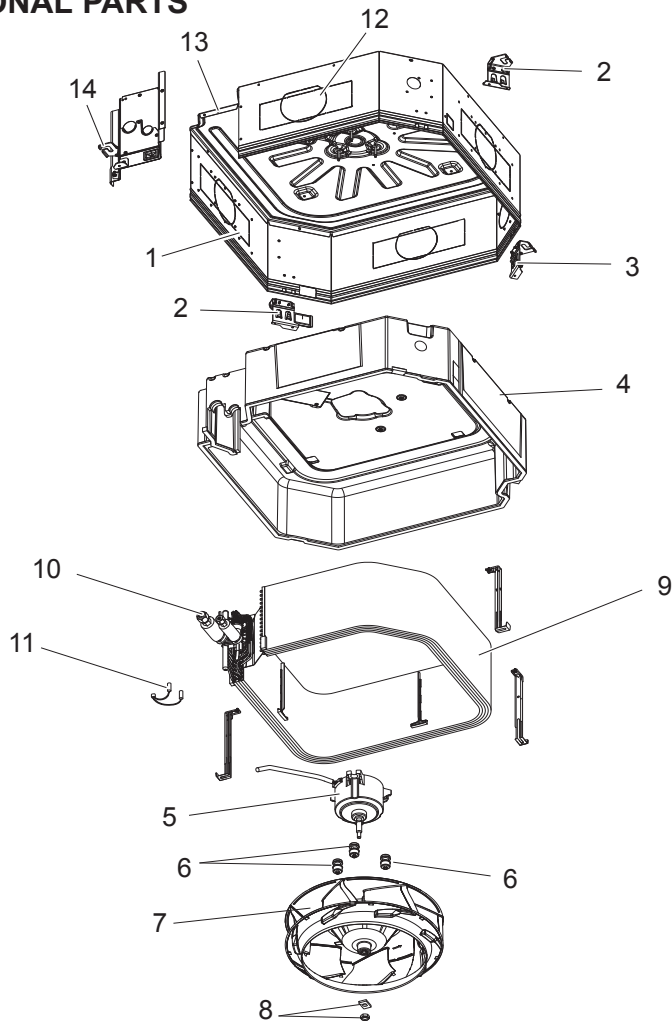


| No. | RoHS | Part No.    | Part Name                      | Specification | Q'ty/unit |     |     |      | Remarks<br>(Drawing No.) | Wiring<br>Diagram<br>Symbol |
|-----|------|-------------|--------------------------------|---------------|-----------|-----|-----|------|--------------------------|-----------------------------|
|     |      |             |                                |               | PLP-6     |     |     |      |                          |                             |
|     |      |             |                                |               | EA        | EAL | EAE | EALE |                          |                             |
| 1   | G    | E17 D72 003 | AIR OUTLET GRILLE              |               | 1         | 1   | 1   | 1    |                          |                             |
| 2   | G    | E17 D72 010 | INTAKE GRILLE                  |               | 1         | 1   | 1   | 1    |                          |                             |
| 3   | G    | E17 D72 031 | GEAR (VANE&S/M)                |               | 4         | 4   | 4   | 4    |                          |                             |
| 4   | G    | E17 D72 037 | AUTO VANE&VANE BUSH            | 1PC/SET       | 4         | 4   | 4   | 4    |                          |                             |
| 5   | G    | E17 103 303 | VANE MOTOR                     | 1PC/SET       | 4         | 4   | 4   | 4    |                          | MV                          |
| 6   | G    | E17 D72 100 | AIR FILTER                     |               | 1         | 1   | 1   | 1    |                          |                             |
| 7   | G    | E17 D72 975 | CORNER PANEL                   |               | 4         | 3   | 3   | 2    |                          |                             |
| 8   | G    | E17 D73 975 | CORNER PANEL (Signal receiver) |               |           | 1   |     | 1    |                          |                             |
| 9   | G    | E17 D74 975 | CORNER PANEL (i-see Sensor)    |               |           |     | 1   | 1    |                          |                             |

# RoHS PARTS LIST

## STRUCTURAL AND FUNCTIONAL PARTS

PLA-ZP35EA.UK  
 PLA-ZP50EA.UK  
 PLA-ZP60EA.UK  
 PLA-ZP71EA.UK  
 PLA-ZP100EA.UK  
 PLA-ZP125EA.UK  
 PLA-ZP140EA.UK

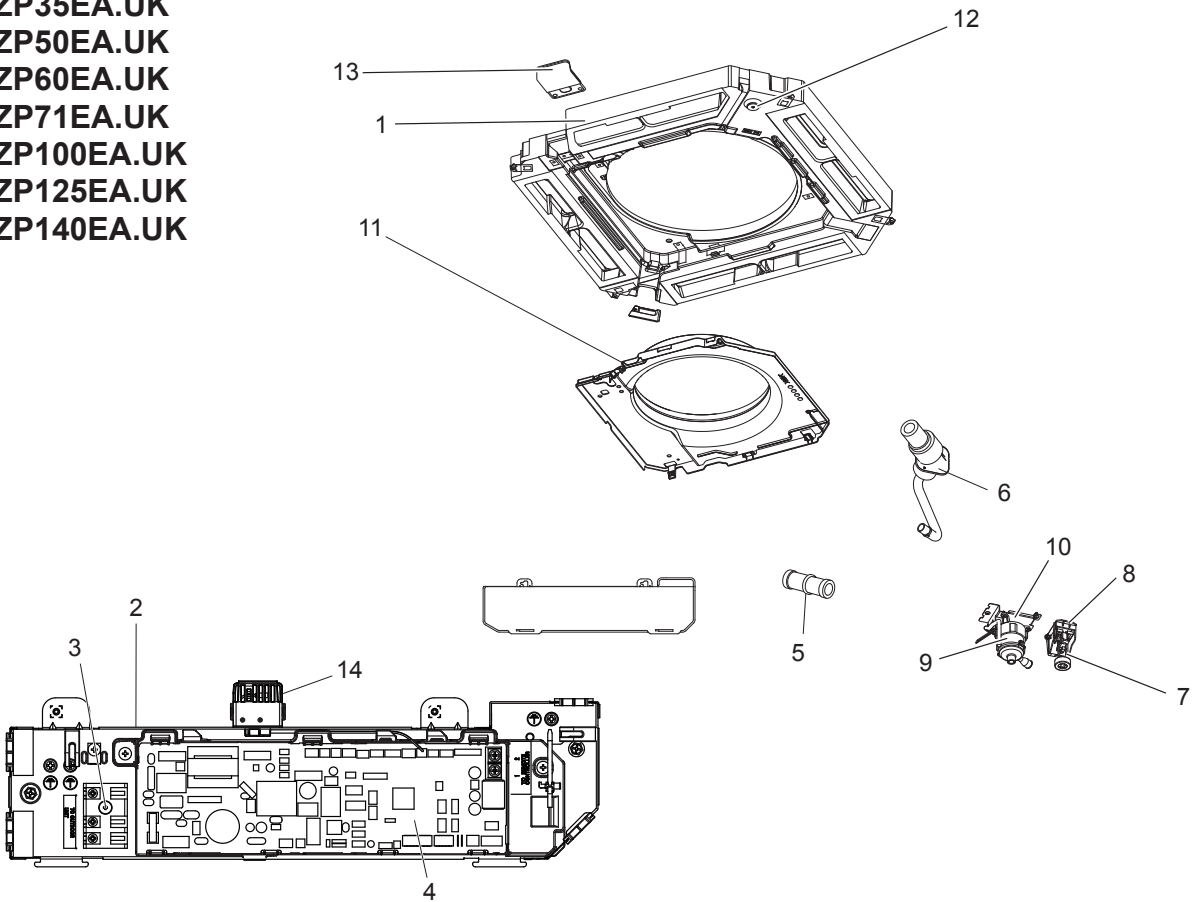


| No. | RoHS | Part No.    | Part Name          | Specification | Q'ty/unit    |    |    |    |     |     |     | Wiring Diagram Symbol |         |
|-----|------|-------------|--------------------|---------------|--------------|----|----|----|-----|-----|-----|-----------------------|---------|
|     |      |             |                    |               | PLA-ZP-EA.UK |    |    |    |     |     |     |                       |         |
|     |      |             |                    |               | 35           | 50 | 60 | 71 | 100 | 125 | 140 |                       |         |
| 1   | G    | S70 0B7 688 | DRUM 2 ASSY        |               | 1            | 1  | 1  |    |     |     |     |                       |         |
|     | G    | S70 0B8 688 | DRUM 2 ASSY        |               |              |    |    | 1  | 1   | 1   | 1   |                       |         |
| 2   | G    | S70 EA2 130 | LEG PUMP           |               | 2            | 2  | 2  | 2  | 2   | 2   | 2   |                       |         |
| 3   | G    | S70 EA1 130 | LEG FA             |               | 1            | 1  | 1  | 1  | 1   | 1   | 1   |                       |         |
| 4   | G    | S70 0B4 659 | INNER COVER ASSY-S |               | 1            | 1  | 1  |    |     |     |     |                       |         |
|     | G    | S70 0B5 659 | INNER COVER ASSY-L |               |              |    |    | 1  | 1   | 1   | 1   |                       |         |
| 5   | G    | S70 0B4 762 | FAN MOTOR          | (DC)-S        | 1            | 1  | 1  |    |     |     |     |                       | MF      |
|     | G    | S70 0B5 762 | FAN MOTOR          | (DC)-M        |              |    |    | 1  | 1   | 1   | 1   |                       | MF      |
| 6   | G    | S70 0B1 105 | MOTOR MOUNT        |               | 3            | 3  | 3  | 3  | 3   | 3   | 3   |                       |         |
| 7   | G    | S70 0B4 114 | TURBO FAN          |               | 1            | 1  | 1  | 1  | 1   | 1   | 1   |                       |         |
| 8   | G    | S70 08K 097 | SPL WASHER / NUT   |               | 1            | 1  | 1  | 1  | 1   | 1   | 1   |                       |         |
| 9   | G    | S70 B11 480 | HEAT EXCHANGER     |               | 1            | 1  |    |    |     |     |     |                       |         |
|     | G    | S70 B12 480 | HEAT EXCHANGER     |               |              |    | 1  |    |     |     |     |                       |         |
|     | G    | S70 B13 480 | HEAT EXCHANGER     |               |              |    |    | 1  |     |     |     |                       |         |
|     | G    | S70 B14 480 | HEAT EXCHANGER     |               |              |    |    |    | 1   | 1   | 1   |                       |         |
| 10  | G    | S70 0B1 097 | FLARE NUT          | 1/2"          | 1            | 1  |    |    |     |     |     |                       |         |
|     | G    | S70 E10 097 | FLARE NUT          | 1/4"          | 1            | 1  |    |    |     |     |     |                       |         |
|     | G    | S70 E15 097 | FLARE NUT          | 5/8"          |              |    | 1  | 1  | 1   | 1   | 1   |                       |         |
|     | G    | S70 E17 097 | FLARE NUT          | 3/8"          |              |    | 1  | 1  | 1   | 1   | 1   |                       |         |
| 11  | G    | S70 0B4 202 | THERMISTOR         |               | 1            | 1  | 1  | 1  | 1   | 1   | 1   |                       | TH2/TH5 |
| 12  | G    | S70 0B5 688 | DRUM 1 ASSY        |               | 1            | 1  | 1  |    |     |     |     |                       |         |
|     | G    | S70 0B6 688 | DRUM 1 ASSY        |               |              |    |    | 1  | 1   | 1   | 1   |                       |         |
| 13  | G    | S70 0B2 687 | BASE               |               | 1            | 1  | 1  | 1  | 1   | 1   | 1   |                       |         |
| 14  | G    | S70 EA3 130 | LEG PIPE           |               | 1            | 1  | 1  | 1  | 1   | 1   | 1   |                       |         |

# RoHS PARTS LIST

## FUNCTIONAL AND ELECTRICAL PARTS

PLA-ZP35EA.UK  
 PLA-ZP50EA.UK  
 PLA-ZP60EA.UK  
 PLA-ZP71EA.UK  
 PLA-ZP100EA.UK  
 PLA-ZP125EA.UK  
 PLA-ZP140EA.UK



| No. | RoHS | Part No.    | Part Name               | Specification | Q'ty/unit    |    |    |    |     |     | Remarks<br>(Drawing No.) | Wiring<br>Diagram<br>Symbol |     |
|-----|------|-------------|-------------------------|---------------|--------------|----|----|----|-----|-----|--------------------------|-----------------------------|-----|
|     |      |             |                         |               | PLA-ZP-EA.UK |    |    |    |     |     |                          |                             |     |
|     |      |             |                         |               | 35           | 50 | 60 | 71 | 100 | 125 |                          |                             | 140 |
| 1   | G    | S70 0B4 529 | DRAIN PAN               |               | 1            | 1  | 1  | 1  | 1   | 1   | 1                        |                             |     |
| 2   | G    | S70 0B7 501 | ELECTRICAL CONTROL BOX  |               | 1            | 1  | 1  | 1  | 1   | 1   | 1                        |                             |     |
| 3   | G    | S70 K03 716 | TERMINAL BLOCK          | 3P(S1,S2,S3)  | 1            | 1  | 1  | 1  | 1   | 1   | 1                        |                             | TB4 |
| 4   | G    | S70 B14 310 | INDOOR CONTROLLER BOARD |               | 1            | 1  | 1  | 1  | 1   | 1   | 1                        |                             | I.B |
| 5   | G    | S70 29H 523 | DRAIN SOCKET            |               | 1            | 1  | 1  | 1  | 1   | 1   | 1                        | Accessory                   |     |
| 6   | G    | S70 0B2 527 | DRAIN HOSE ASSY         |               | 1            | 1  | 1  | 1  | 1   | 1   | 1                        |                             |     |
| 7   | G    | S70 0B2 266 | FLOAT SWITCH            |               | 1            | 1  | 1  | 1  | 1   | 1   | 1                        |                             | FS  |
| 8   | G    | S70 0B2 533 | FLOAT SWITCH BASE       |               | 1            | 1  | 1  | 1  | 1   | 1   | 1                        |                             |     |
| 9   | G    | S70 0B2 355 | DRAIN PUMP              | 220-240 V     | 1            | 1  | 1  | 1  | 1   | 1   | 1                        |                             | DP  |
| 10  | G    | S70 0B3 533 | DRAIN PUMP BASE         |               | 1            | 1  | 1  | 1  | 1   | 1   | 1                        |                             |     |
| 11  | G    | S70 0B3 502 | BELLMOUTH-S             |               | 1            | 1  | 1  |    |     |     |                          |                             |     |
|     | G    | S70 0B4 502 | BELLMOUTH-L             |               |              |    | 1  | 1  | 1   | 1   |                          |                             |     |
| 12  | G    | S70 A41 524 | DRAIN PLUG              |               | 1            | 1  | 1  | 1  | 1   | 1   | 1                        |                             |     |
| 13  | G    | S70 EA1 663 | WIRE COVER              |               | 1            | 1  | 1  | 1  | 1   | 1   | 1                        |                             |     |
| 14  | G    | S70 0B3 202 | ROOM TEMP. THERMISTOR   | 220XAP        | 1            | 1  | 1  | 1  | 1   | 1   | 1                        |                             | TH1 |

**MITSUBISHI ELECTRIC CORPORATION**

HEAD OFFICE : TOKYO BUILDING, 2-7-3, MARUNOUCHI, CHIYODA-KU, TOKYO 100-8310, JAPAN