

PARTS CATALOG

R410A

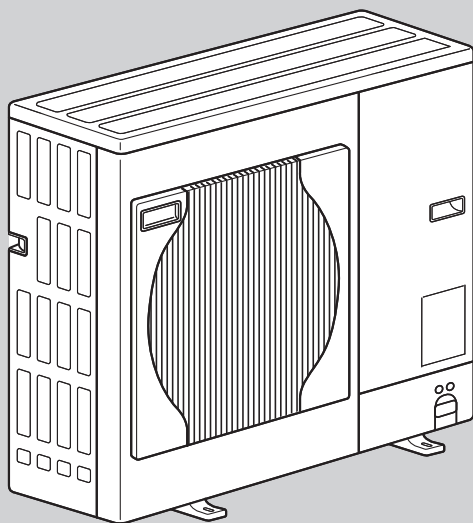
Outdoor unit
[Model Name]

[Service Ref.]

PUHZ-P100VHA5	PUHZ-P100VHA5.UK
PUHZ-P125VHA4	PUHZ-P125VHA4.UK
PUHZ-P140VHA4	PUHZ-P140VHA4.UK
PUHZ-P100YHA3	PUHZ-P100YHA3.UK
PUHZ-P125YHA2	PUHZ-P125YHA2.UK
PUHZ-P140YHA2	PUHZ-P140YHA2.UK

Note:

- RoHS compliant products have <G> mark on the spec name plate.



PUHZ-P100VHA5.UK
PUHZ-P100YHA3.UK

CONTENTS

1. RoHS PARTS LIST.....	2
-------------------------	---

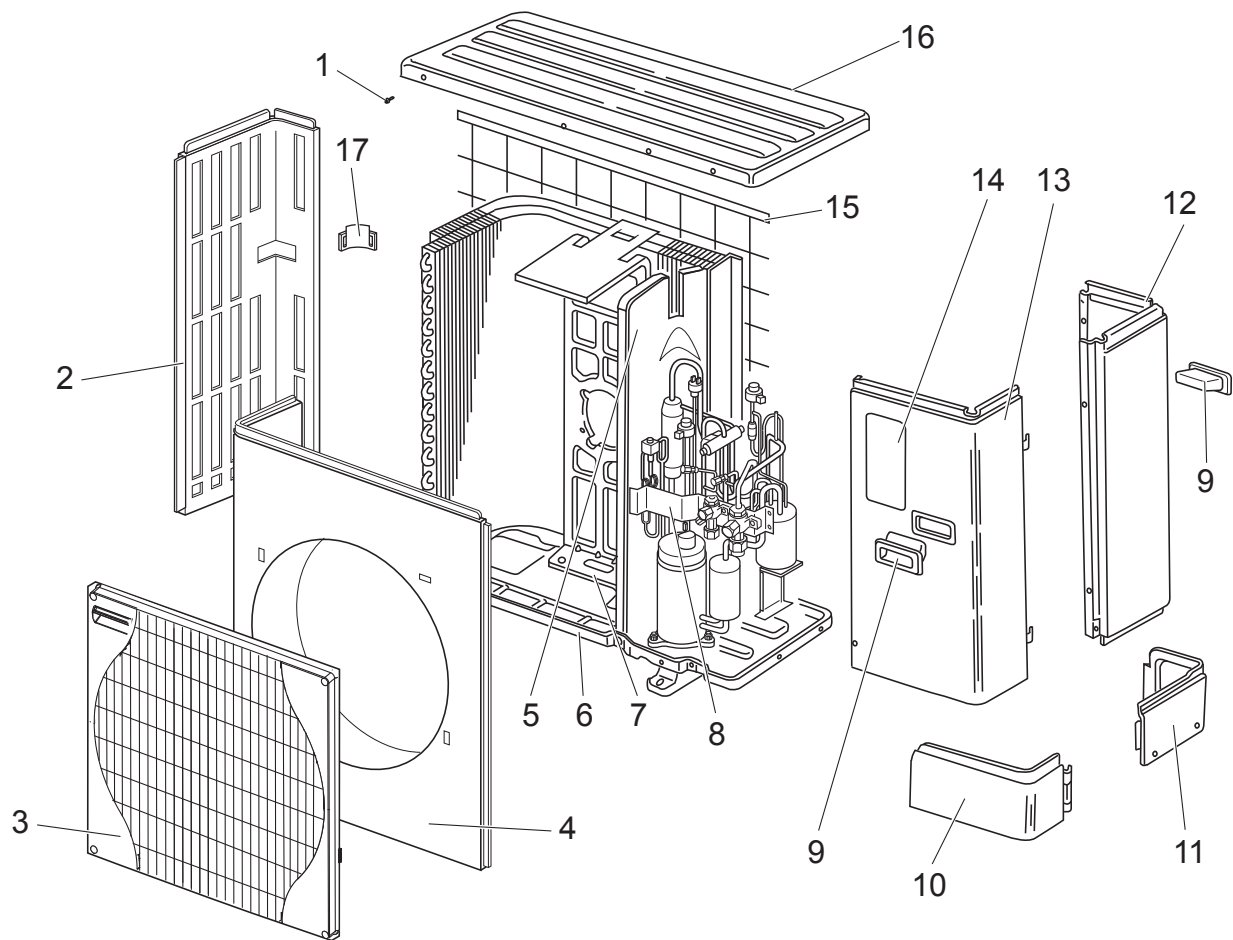
SERVICE MANUAL (OCH646)

Mr. SLIM

STRUCTURAL PARTS

PUHZ-P100VHA5.UK

PUHZ-P100YHA3.UK



RoHS PARTS LIST

No.	RoHS	Part No.	Part Name	Specification	Q'ty/unit		Remarks (Drawing No.)	Wiring Diagram Symbol
					PUHZ-P100			
					VHA5.UK	YHA3.UK		
1	G	—	F.ST SCREW	(5×12)	31	31	(DG12F536H12)	
2	G	S 7 0 E 1 1 6 6 2	SIDE PANEL (L)		1	1		
3	G	S 7 0 E 3 0 6 7 5	FAN GRILLE		1	1		
4	G	S 7 0 E 3 0 6 6 8	FRONT PANEL		1	1		
5	G	—	SEPARATOR		1		(BK00C456G44)	
	G	—	SEPARATOR			1	(BK00C456G45)	
6	G	S 7 0 E 1 1 6 8 6	BASE ASSY		1	1		
7	G	S 7 0 E 1 0 1 3 0	MOTOR SUPPORT		1	1		
8	G	S 7 1 0 V B 0 0 1	VALVE BED ASSY		1	1		
9	G	S 7 0 3 0 L 6 5 5	HANDLE		2	2		
10	G	S 7 0 E 3 0 6 5 8	COVER PANEL (FRONT)		1	1		
11	G	S 7 0 E 4 0 6 5 8	COVER PANEL (REAR)		1	1		
12	G	S 7 0 E 6 0 6 6 2	SIDE PANEL (R)		1	1		
13	G	S 7 0 E 8 0 6 6 1	SERVICE PANEL		1	1		
14	G	S 7 0 E 7 0 6 9 9	LABEL		1	1		
15	G	S 7 0 E 1 0 6 9 8	REAR GUARD		1	1		
16	G	S 7 0 E 2 0 6 4 1	TOP PANEL		1	1		
17	G	S 7 0 E 1 0 6 5 5	HANDLE		1	1		

RoHS PARTS LIST

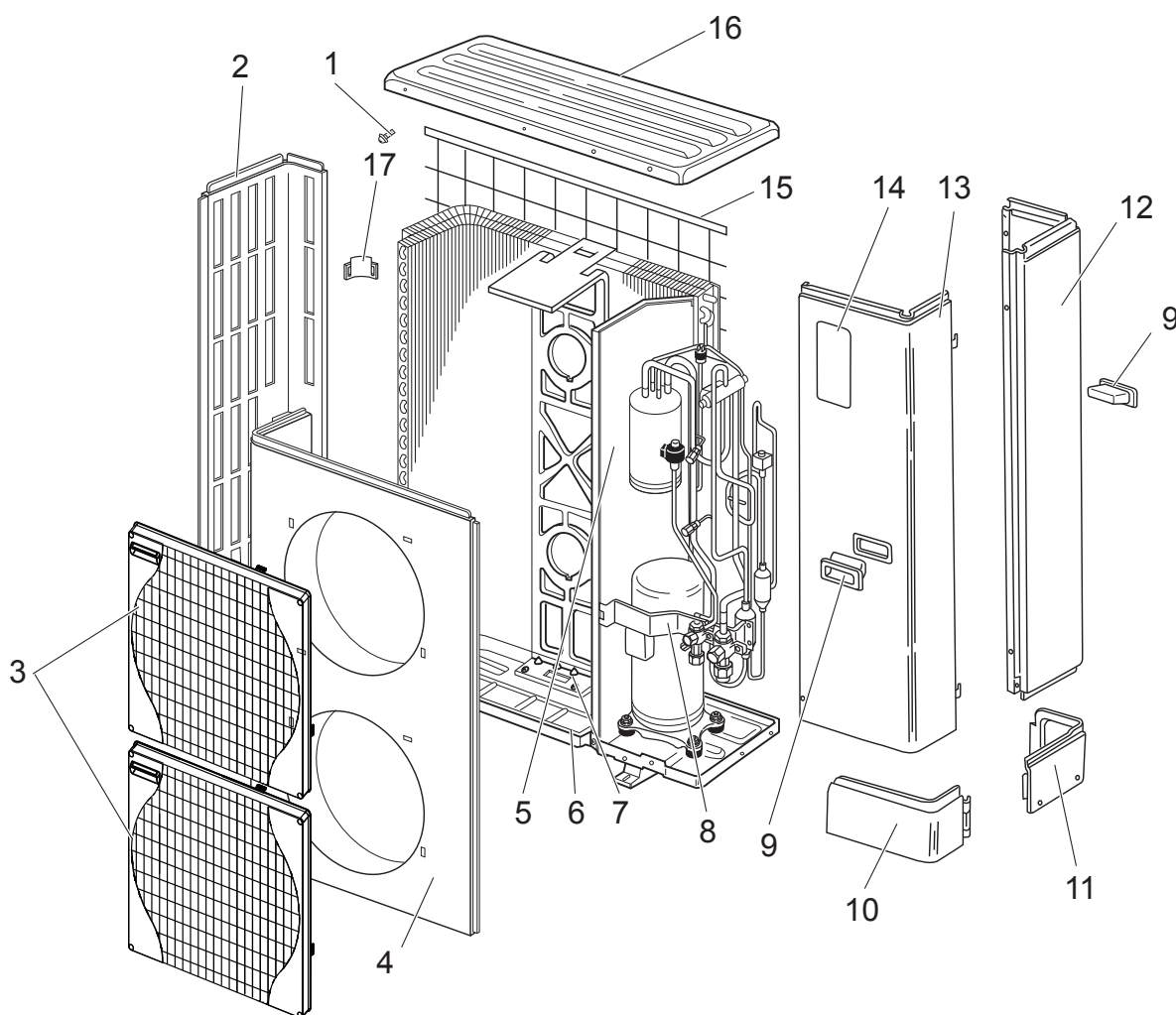
STRUCTURAL PARTS

PUHZ-P125VHA4.UK

PUHZ-P140VHA4.UK

PUHZ-P125YHA2.UK

PUHZ-P140YHA2.UK

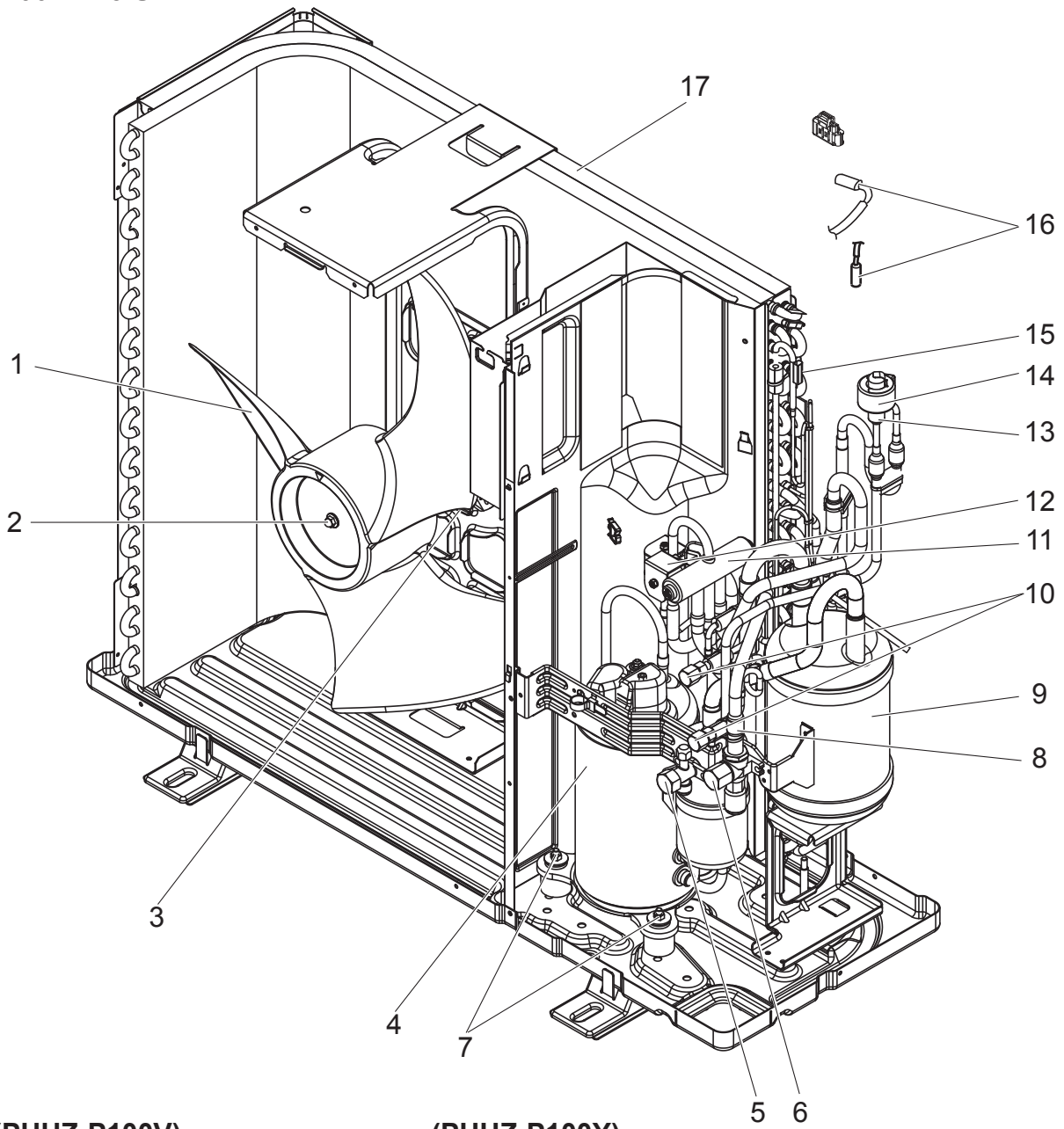


RoHS PARTS LIST

No.	RoHS	Part No.	Part Name	Specification	Q'ty/unit		Remarks (Drawing No.)	Wiring Diagram Symbol
					PUHZ-P125,140			
					VHA4.UK	YHA2.UK		
1	G	—	F.ST SCREW	(5×12)	46	46	(DG12F536H12)	
2	G	S 70 E 21 662	SIDE PANEL (L)		1	1		
3	G	S 70 E 30 675	FAN GRILLE		2	2		
4	G	S 70 E 40 668	FRONT PANEL		1	1		
5	G	—	SEAPARATOR		1	1	(BK00C456G64)	
6	G	S 70 E 11 686	BASE ASSY		1	1		
7	G	S 70 E 80 130	MOTOR SUPPORT		1	1		
8	G	S 71 0VB 001	VALVE BED ASSY		1	1		
9	G	S 70 30L 655	HANDLE		2	2		
10	G	S 70 E 30 658	COVER PANEL (FRONT)		1	1		
11	G	S 70 E 40 658	COVER PANEL (REAR)		1	1		
12	G	S 70 E 61 662	SIDE PANEL (R)		1	1		
13	G	S 70 E 60 661	SERVICE PANEL		1	1		
14	G	S 70 E 70 699	LABEL		1	1		
15	G	S 70 E 20 698	REAR GUARD		2	2		
16	G	S 70 E 20 641	TOP PANEL		1	1		
17	G	S 70 E 10 655	HANDLE		1	1		

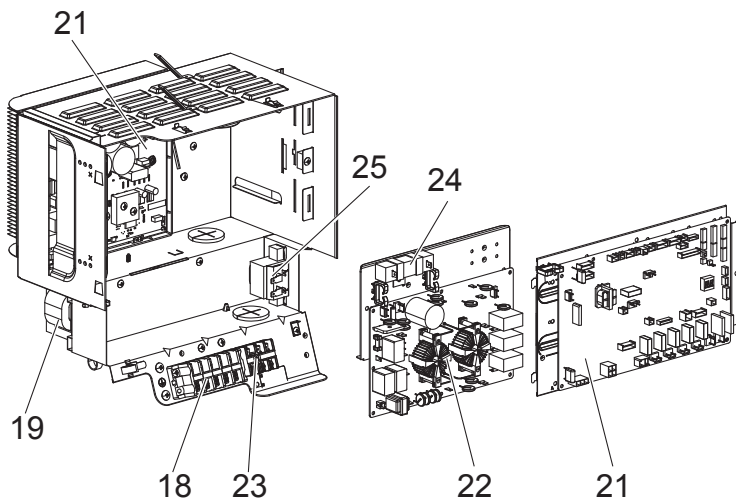
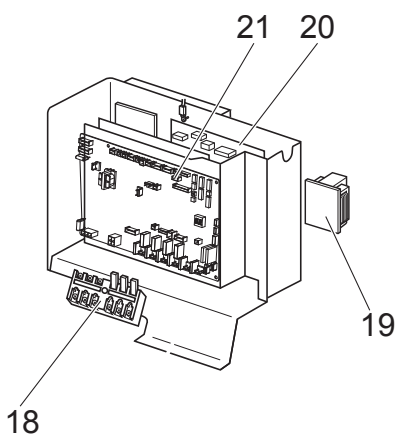
RoHS PARTS LIST

FUNCTIONAL PARTS
 PUHZ-P100VHA5.UK
 PUHZ-P100YHA3.UK



(PUHZ-P100V)

(PUHZ-P100Y)



OCB646

RoHS PARTS LIST

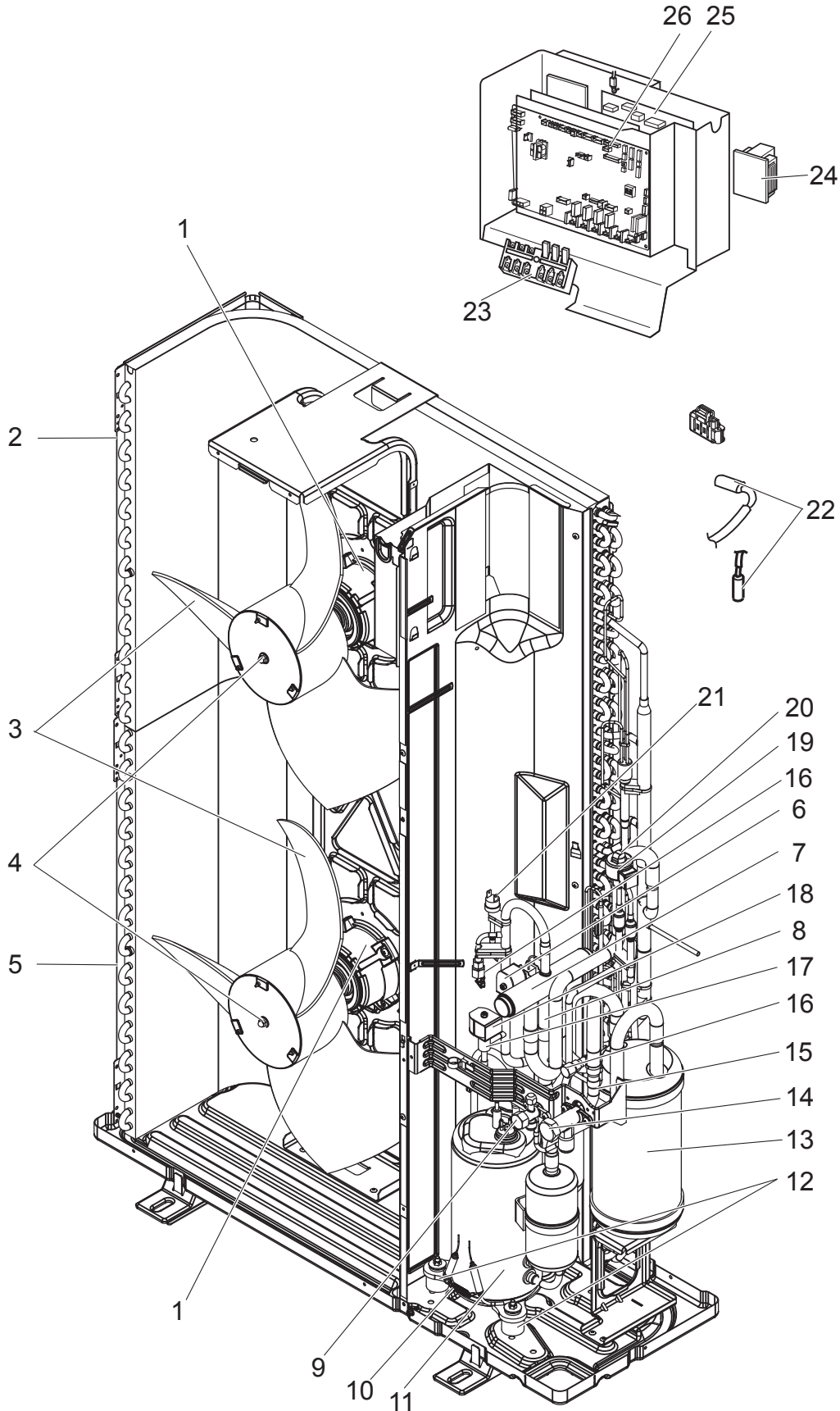
Part numbers that are circled are not shown in the figures.

No.	RoHS	Part No.	Part Name	Specification	Q'ty/unit		Remarks (Drawing No.)	Wiring Diagram Symbol
					PUHZ-P100			
					VHA5.UK	YHA3.UK		
1	G	S70 K04 115	PROPELLER FAN		1	1		
2	G	S70 K01 097	NUT		1	1		
3	G	S70 E10 763	FAN MOTOR		1	1		MF1
4	G	S70 E41 400	COMPRESSOR	TNB220FLHMT	1			MC
	G	S70 E43 400	COMPRESSOR	TNB220FLCMT		1		MC
5	G	S70 600 418	STOP VALVE	3/8	1	1		
6	G	S70 E07 411	STOP VALVE	5/8	1	1		
7	G	S70 E01 004	RUBBER MOUNT		3	3		
8	G	S70 36L 450	STRAINER	#50	1	1		
9	G	S70 E10 440	ACCUMULATOR		1	1		
10	G	S70 E02 413	CHARGE PLUG		2	2		
11	G	S70 E04 403	4-WAY VALVE		1	1		
12	G	S70 E01 242	SOLENOID VALVE COIL <4-WAY VALVE>		1	1		21S4
13	G	S70 E80 401	EXPANSION VALVE		1	1		
14	G	S70 E81 402	LINEAR EXPANSION VALVE COIL		1	1		LEV-A
15	G	S70 E47 202	THERMISTOR (LIQUID)		1	1		TH3
16	G	S70 E31 202	THERMISTOR (2-PHASE PIPE, AMBIENT)		1	1		TH6, 7
17	G	S70 E50 408	HEAT EXCHANGER		1	1		
18	G	S70 C20 515	TERMINAL BLOCK	6P (L,N,⊕,S1,S2,S3)	1			TB1
	G	S70 E09 716	TERMINAL BLOCK	5P (S1,S2,S3,N,⊕)		1		TB1
19	G	S70 K40 259	REACTOR		1			DCL
	G	S70 K50 259	REACTOR			1		DCL
20	G	S70 0B6 313	POWER CIRCUIT BOARD		1			P.B.
	G	S70 B20 313	POWER CIRCUIT BOARD			1		P.B.
21	G	S70 B20 315	CONTROLLER CIRCUIT BOARD		1	1		C.B.
22	G	S70 E60 346	NOISE FILTER CIRCUIT BOARD			1		N.F.
23	G	S70 E08 716	TERMINAL BLOCK	3P (S1,S2,S3)		1		TB2
24	G	S70 E20 234	RESISTOR			1		RS
25	G	S70 K90 259	REACTOR			1		ACL4
26	G	S70 E55 202	THERMISTOR (HEATSINK)			1		TH8
27	G	S70 E10 208	HIGH PRESSURE SWITCH	OFF 4.14MPa	1	1		63H
28	G	S70 42H 467	MUFFLER		1	1		
29	G	S70 E45 202	THERMISTOR (COMP. SURFACE)		1	1		TH32
30	G	S70 E05 255	MAIN SMOOTHING CAPACITOR		1			CB

RoHS PARTS LIST

FUNCTIONAL PARTS
PUHZ-P125VHA4.UK

PUHZ-P140VHA4.UK



RoHS PARTS LIST

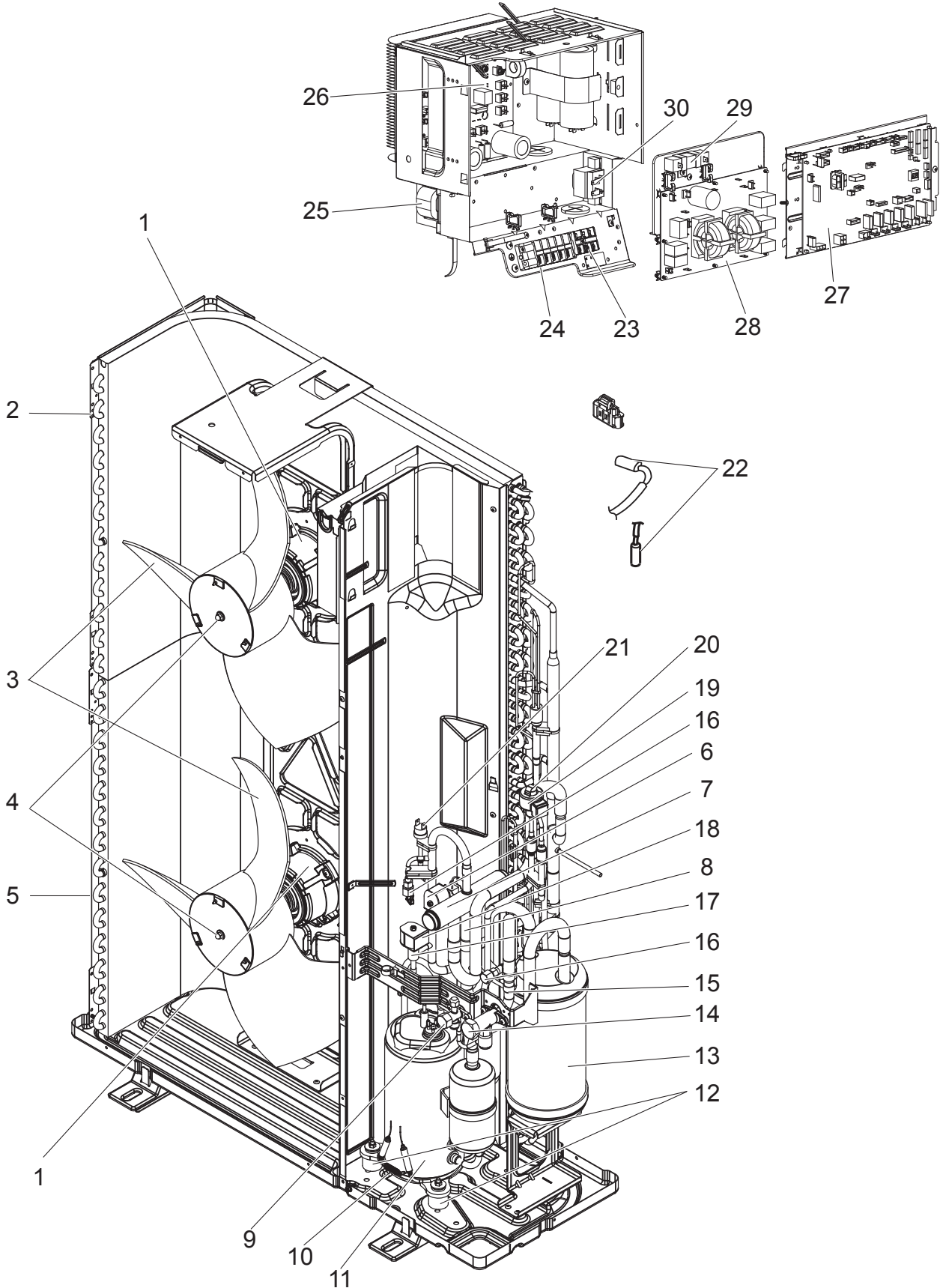
Part numbers that are circled are not shown in the figures.

No.	RoHS	Part No.	Part Name	Specification	Q'ty/unit		Remarks (Drawing No.)	Wiring Diagram Symbol
					PUHZ-P			
					125	140		
					VHA4.UK			
1	G	S70 E10 763	FAN MOTOR		2	2		MF1, MF2
2	G	S70 R80 408	HEAT EXCHANGER (TOP)		1	1		
3	G	S70 K04 115	PROPELLER FAN		2	2		
4	G	S70 K01 097	NUT		2	2		
5	G	S70 R90 408	HEAT EXCHANGER (UNDER)		1	1		
6	G	S70 E55 242	SOLENOID COIL (4-WAY VALVE)		1	1		21S4
7	G	S70 E05 403	4-WAY VALVE		1	1		
8	G	S70 42H 467	MUFFLER		1	1		
9	G	S70 600 418	STOP VALVE	3/8	1	1		
10	G	S70 0B4 236	CRANKCASE HEATER		1	1		CH
11	G	S70 E92 400	COMPRESSOR	TNB306FPGMT	1	1		MC
12	G	S70 E01 004	RUBBER MOUNT		3	3		
13	G	S70 E11 440	ACCUMULATOR		1	1		
14	G	S70 E07 411	STOP VALVE	5/8	1	1		
15	G	S70 36L 450	STRAINER	#50	1	1		
16	G	S70 E02 413	CHARGE PLUG		2	2		
17	G	S70 282 403	BYPASS VALVE		1	1		
18	G	S70 451 242	BYPASS VALVE COIL		1	1		SV
19	G	S70 E81 402	LINEAR EXPANSION VALVE COIL		1	1		LEV-A
20	G	S70 E90 401	EXPANSION VALVE		1	1		
21	G	S70 E10 208	HIGH PRESSURE SWITCH	OFF 4.14MPa	1	1		63H
22	G	S70 E31 202	THERMISTOR (2-PHASE PIPE, AMBIENT)		1	1		TH6,7
23	G	S70 C20 515	TERMINAL BLOCK	6P(L,N,⊙,S1,S2,S3)	1	1		TB1
24	G	S70 K40 259	REACTOR		1	1		DCL
25	G	S70 0B6 313	POWER CIRCUIT BOARD		1	1		P.B.
26	G	S70 B18 315	CONTROLLER CIRCUIT BOARD		1	1		C.B.
29	G	S70 E46 202	THERMISTOR (COMP.SURFACE)		1	1		TH32
30	G	S70 E37 202	THERMISTOR (LIQUID)		1	1		TH3
31	G	S70 E05 255	MAIN SMOOTHING CAPACITOR		1	1		CB
32	G	S70 E05 256	MAIN SMOOTHING CAPACITOR		1	1		CB

RoHS PARTS LIST

FUNCTIONAL PARTS
PUHZ-P125YHA2.UK

PUHZ-P140YHA2.UK



RoHS PARTS LIST

Part numbers that are circled are not shown in the figures.

No.	RoHS	Part No.	Part Name	Specification	Q'ty/unit		Remarks (Drawing No.)	Wiring Diagram Symbol
					PUHZ-P-YHA2.UK			
					125	140		
1	G	S70 E10 763	FAN MOTOR		2	2		MF1, MF2
2	G	S70 R80 408	HEAT EXCHANGER (TOP)		1	1		
3	G	S70 K04 115	PROPELLER FAN		2	2		
4	G	S70 K01 097	NUT		2	2		
5	G	S70 R90 408	HEAT EXCHANGER (UNDER)		1	1		
6	G	S70 E55 242	SOLENOID COIL (4-WAY VALVE)		1	1		21S4
7	G	S70 E05 403	4-WAY VALVE		1	1		
8	G	S70 42H 467	MUFFLER		1	1		
9	G	S70 600 418	STOP VALVE	3/8	1	1		
10	G	S70 0B4 236	CRANKCASE HEATER		1	1		CH
11	G	S70 E93 400	COMPRESSOR	TNB306FPNMT	1	1		MC
12	G	S70 E01 004	RUBBER MOUNT		3	3		
13	G	S70 E11 440	ACCUMULATOR		1	1		
14	G	S70 E07 411	STOP VALVE	5/8	1	1		
15	G	S70 36L 450	STRAINER	#50	1	1		
16	G	S70 E02 413	CHARGE PLUG		2	2		
17	G	S70 282 403	BYPASS VALVE		1	1		
18	G	S70 451 242	BYPASS VALVE COIL		1	1		SV
19	G	S70 E81 402	LINEAR EXPANSION VALVE COIL		1	1		LEV-A
20	G	S70 E90 401	EXPANSION VALVE		1	1		
21	G	S70 E10 208	HIGH PRESSURE SWITCH	OFF 4.14MPa	1	1		63H
22	G	S70 E31 202	THERMISTOR (2-PHASE PIPE, AMBIENT)		1	1		TH6,7
23	G	S70 E08 716	TERMINAL BLOCK	3P (S1,S2,S3)	1	1		TB2
24	G	S70 E09 716	TERMINAL BLOCK	5P (S1,S2,S3,N,⊕)	1	1		TB1
25	G	S70 K50 259	REACTOR		1	1		DCL
26	G	S70 0B8 313	POWER CIRCUIT BOARD		1	1		P.B.
27	G	S70 B18 315	CONTROLLER CIRCUIT BOARD		1	1		C.B.
28	G	S70 E30 346	NOISE FILTER CIRCUIT BOARD		1	1		N.F.
29	G	S70 E20 234	RESISTOR		1	1		RS
30	G	S70 K90 259	REACTOR		1	1		ACL4
31	G	S70 E37 202	THERMISTOR (LIQUID)		1	1		TH3
32	G	S70 E46 202	THERMISTOR (COMP.SURFACE)		1	1		TH32

Mr. SLIM

mitsubishi electric corporation

HEAD OFFICE : TOKYO BUILDING, 2-7-3, MARUNOUCHI, CHIYODA-KU, TOKYO 100-8310, JAPAN
