

PARTS CATALOG R410A

Outdoor unit
[Model Name]

PUHZ-P200YKA2

[Service Ref.]

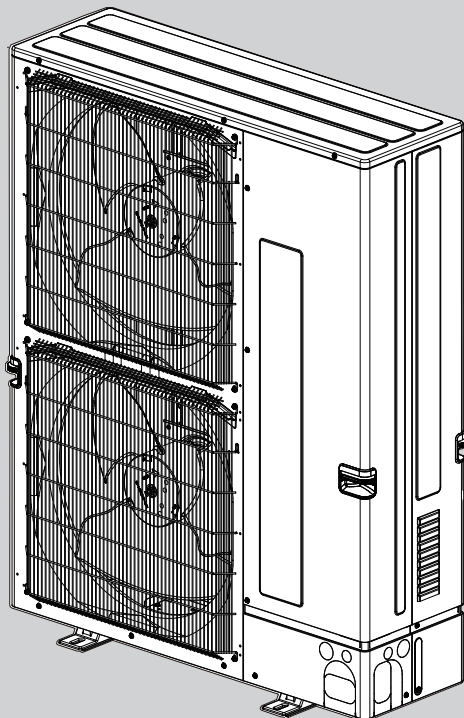
PUHZ-P200YKA2.UK

PUHZ-P250YKA2

PUHZ-P250YKA2.UK

Note:

- RoHS compliant products have <G> mark on the spec name plate.



CONTENTS

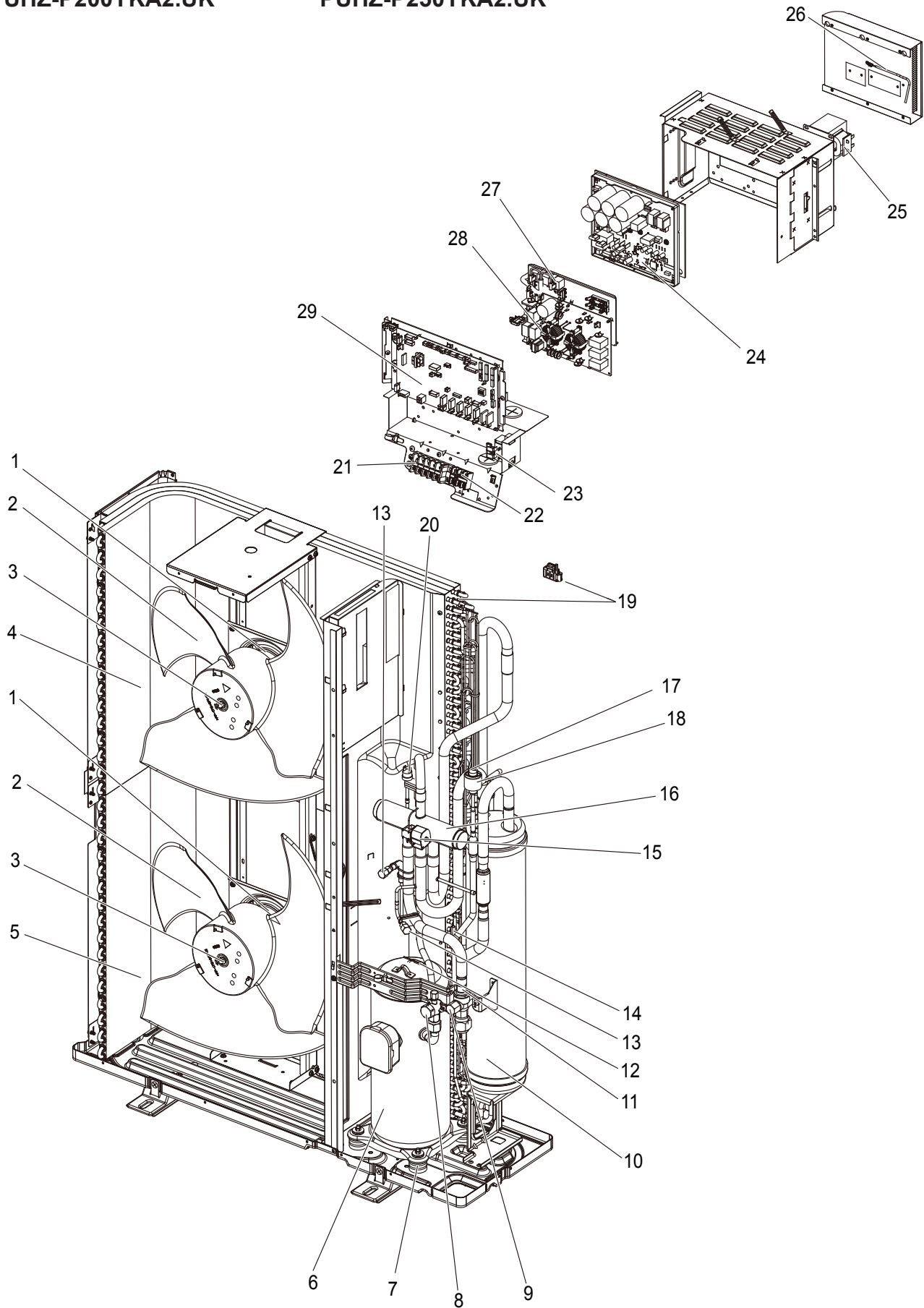
1. RoHS PARTS LIST 2

SERVICE MANUAL (OCH647)

FUNCTIONAL AND ELECTRICAL PARTS

PUHZ-P200YKA2.UK

PUHZ-P250YKA2.UK



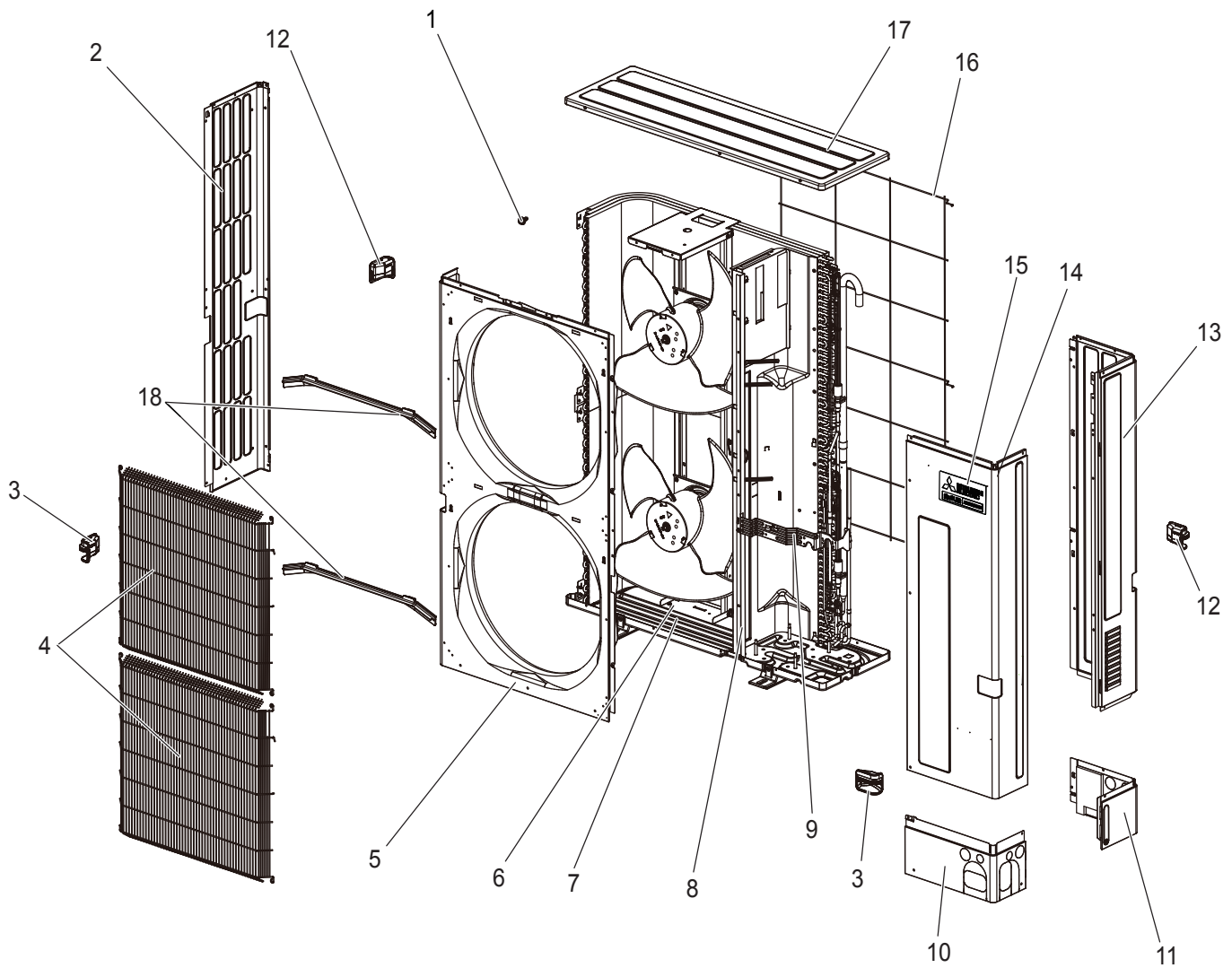
RoHS PARTS LIST

| No. | RoHS | Parts No. | Parts Name | Specification | Q'ty/unit | | Remarks (Drawing No.) | Wiring Diagram Symbol |
|-----|------|-------------|-----------------------------|-----------------------|------------------|------------------|--------------------------|-----------------------------|
| | | | | | PUHZ-P200YKA2.UK | PUHZ-P250YKA2.UK | | |
| 1 | G | S70 E90 763 | FAN MOTOR | | 2 | 2 | | MF1,2 |
| 2 | G | S70 E50 115 | PROPELLER FAN | | 2 | 2 | | |
| 3 | G | S70 K01 097 | NUT | | 2 | 2 | | |
| 4 | G | S70 E20 408 | HEAT EXCHANGER (TOP) | | 1 | | | |
| | G | S70 E36 408 | HEAT EXCHANGER (TOP) | | | 1 | | |
| 5 | G | S70 E21 408 | HEAT EXCHANGER (UNDER) | | 1 | | | |
| | G | S70 E37 408 | HEAT EXCHANGER (UNDER) | | | 1 | | |
| 6 | G | S70 E70 400 | COMPRESSOR | ANB52FRNMT | 1 | 1 | | MC |
| 7 | G | S70 E02 004 | RUBBER MOUNT | 1PC/SET | 4 | 4 | | |
| 8 | G | S70 600 418 | STOP VALVE (LIQUID) | 3/8' | 1 | | | |
| | G | S70 700 418 | STOP VALVE (LIQUID) | 1/2' | | 1 | | |
| 9 | G | S70 E08 411 | BALL VALVE (GAS) | 3/4' | 1 | 1 | | |
| 10 | G | S70 E95 440 | ACCUMULATOR | | 1 | 1 | | |
| 11 | G | S70 42L 450 | STRAINER | 50# | 1 | 1 | | |
| 12 | G | S70 E69 202 | THERMISTOR | Comp. surface | 1 | 1 | | TH32 |
| 13 | G | S70 E02 413 | CHARGE PLUG | | 2 | 2 | | |
| 14 | G | S70 E58 202 | THERMISTOR | Liquid | 1 | 1 | | TH3 |
| 15 | G | S70 E09 242 | SOLENOID COIL <4-WAY VALVE> | | 1 | 1 | | 21S4 |
| 16 | G | S70 E06 403 | 4-WAY VALVE | | 1 | 1 | | |
| 17 | G | S70 E15 401 | EXPANSION VALVE | UKV-32D | 1 | 1 | | |
| 18 | G | S70 E30 402 | LINEAR EXPANSION VALVE COIL | UKV-A277 | 1 | 1 | | LEV-A |
| 19 | G | S70 E31 202 | THERMISTOR | Ambient, 2-phase pipe | 1 | 1 | | TH6,7 |
| 20 | G | S70 E10 208 | HIGH PRESSURE SWITCH | OFF 4.14 MPA | 1 | 1 | | 63H |
| 21 | G | S70 E09 716 | TERMINAL BED | 5P(L1,L2,L3 N,E) | 1 | 1 | | TB1 |
| 22 | G | S70 E08 716 | TERMINAL BED | 3P(S1,S2,S3) | 1 | 1 | | TB2 |
| 23 | G | S70 K25 259 | REACTOR | | 1 | 1 | | ACL4 |
| 24 | G | S70 E45 313 | POWER CIRCUIT BOARD | | 1 | 1 | | P.B. |
| 25 | G | S70 K35 259 | REACTOR | | 1 | 1 | | DCL |
| 26 | G | S70 E55 202 | THERMISTOR | Heat sink | 1 | 1 | | TH8 |
| 27 | G | S70 E20 234 | RESISTOR | | 1 | 1 | | RS |
| 28 | G | S70 E70 346 | NOISE FILTER CIRCUIT BOARD | | 1 | 1 | | N.F. |
| 29 | G | S70 E99 315 | CONTROLLER CIRCUIT BOARD | | 1 | 1 | | C.B. |

RoHS PARTS LIST

STRUCTURAL PARTS
PUHZ-P200YKA2.UK

PUHZ-P250YKA2.UK



RoHS PARTS LIST

| No. | RoHS | Parts No. | Parts Name | Specifi-cation | Q'ty/unit | | Remarks (Drawing No.) |
|-----|------|-------------|---------------------|----------------|------------------|------------------|--------------------------|
| | | | | | PUHZ-P200YKA2.UK | PUHZ-P250YKA2.UK | |
| 1 | G | — | F.ST SCREW | (5×12) | 45 | 45 | (DG12F536H12) |
| 2 | G | S70 E17 662 | SIDE PANEL (L) | | 1 | 1 | |
| 3 | G | S70 E20 655 | HANDLE (FRONT) | | 2 | 2 | |
| 4 | G | S70 E40 675 | WIRE GRILLE | | 2 | 2 | |
| 5 | G | S70 E61 668 | FRONT PANEL | | 1 | 1 | |
| 6 | G | S70 E90 130 | MOTOR SUPPORT | | 1 | | |
| | G | S70 E95 130 | MOTOR SUPPORT | | | 1 | |
| 7 | G | S70 E91 686 | BASE ASSY | | 1 | 1 | |
| 8 | G | — | SEPARATOR | | 1 | 1 | (BK00N021G60) |
| 9 | G | — | VALVE BED ASSY | | 1 | 1 | (BK00R803G03) |
| 10 | G | S70 E55 658 | COVER PANEL (FRONT) | | 1 | 1 | |
| 11 | G | S70 E65 658 | COVER PANEL (REAR) | | 1 | 1 | |
| 12 | G | S70 E30 655 | HANDLE (REAR) | | 2 | 2 | |
| 13 | G | S70 E18 662 | SIDE PANEL (R) | | 1 | 1 | |
| 14 | G | S70 E45 661 | SERVICE PANEL | | 1 | 1 | |
| 15 | G | S70 E70 699 | LABEL (BRAND) | | 1 | 1 | |
| 16 | G | S70 E30 698 | REAR GUARD | | 1 | 1 | |
| 17 | G | S70 E40 641 | TOP PANEL | | 1 | 1 | |
| 18 | G | S70 E10 631 | ICE GUARD | | 2 | 2 | |

Mr. SLIM

mitsubishi electric corporation

HEAD OFFICE : TOKYO BUILDING, 2-7-3, MARUNOUCHI, CHIYODA-KU, TOKYO 100-8310, JAPAN