

# PARTS CATALOG R410A

**Outdoor unit  
[Model Name]**
**[Service Ref.]**

PUHZ-ZRP100VKA3

**PUHZ-ZRP100VKA3.UK**

PUHZ-ZRP125VKA3

**PUHZ-ZRP125VKA3.UK**

PUHZ-ZRP140VKA3

**PUHZ-ZRP140VKA3.UK**

PUHZ-ZRP100YKA3

**PUHZ-ZRP100YKA3.UK**

PUHZ-ZRP125YKA3

**PUHZ-ZRP125YKA3.UK**

PUHZ-ZRP140YKA3

**PUHZ-ZRP140YKA3.UK**

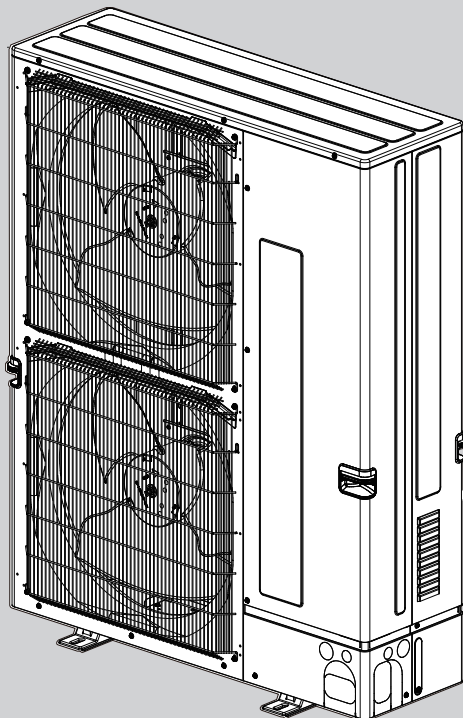
PUHZ-ZRP200YKA2

**PUHZ-ZRP200YKA2.UK**

PUHZ-ZRP250YKA2

**PUHZ-ZRP250YKA2.UK**
**Note:**

- RoHS compliant products have <G> mark on the spec name plate.




---

**CONTENTS**


---

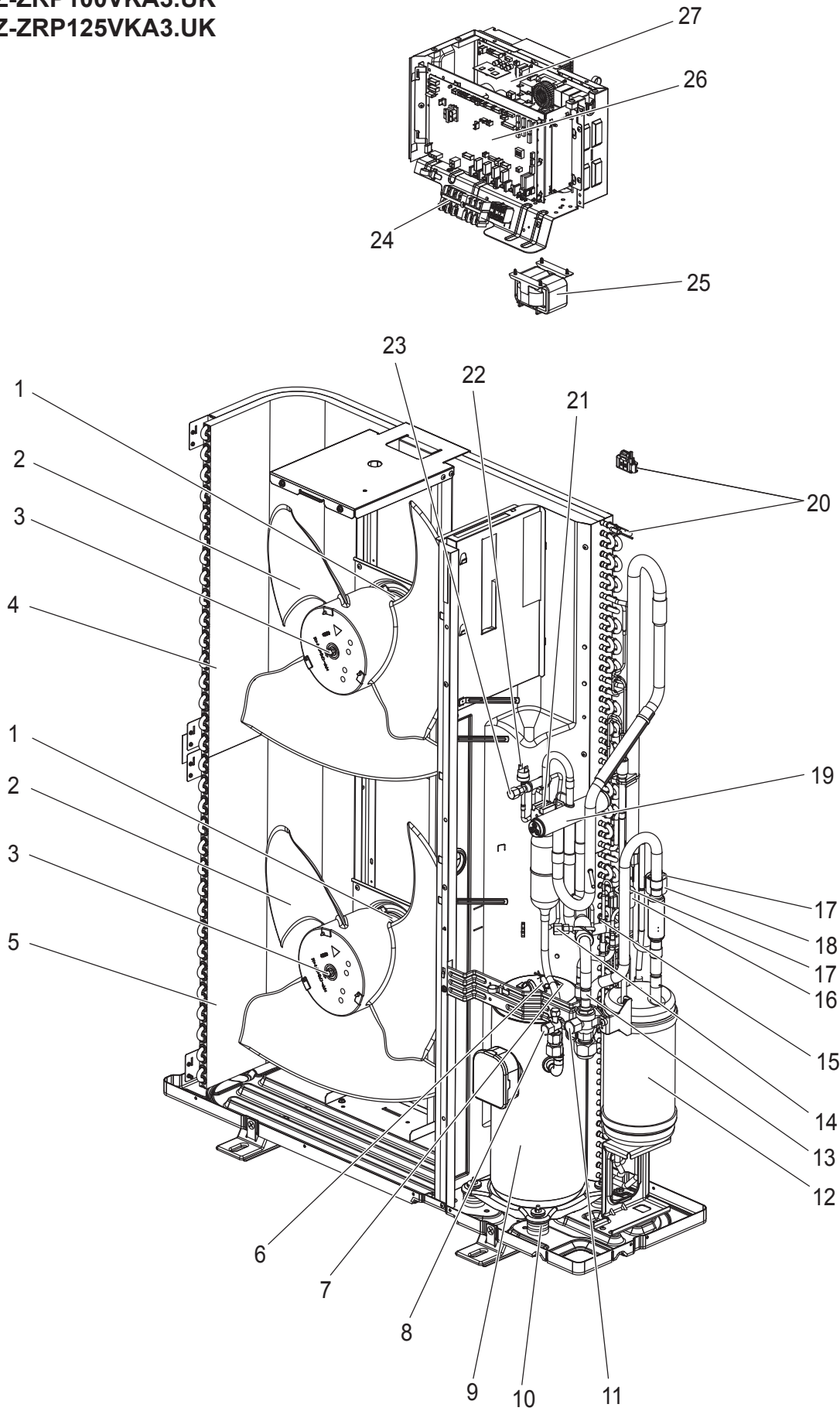
1. RoHS PARTS LIST ..... 2

**SERVICE MANUAL (OCH645)**


**FUNCTIONAL AND ELECTRICAL PARTS**

**PUHZ-ZRP100VKA3.UK**

**PUHZ-ZRP125VKA3.UK**

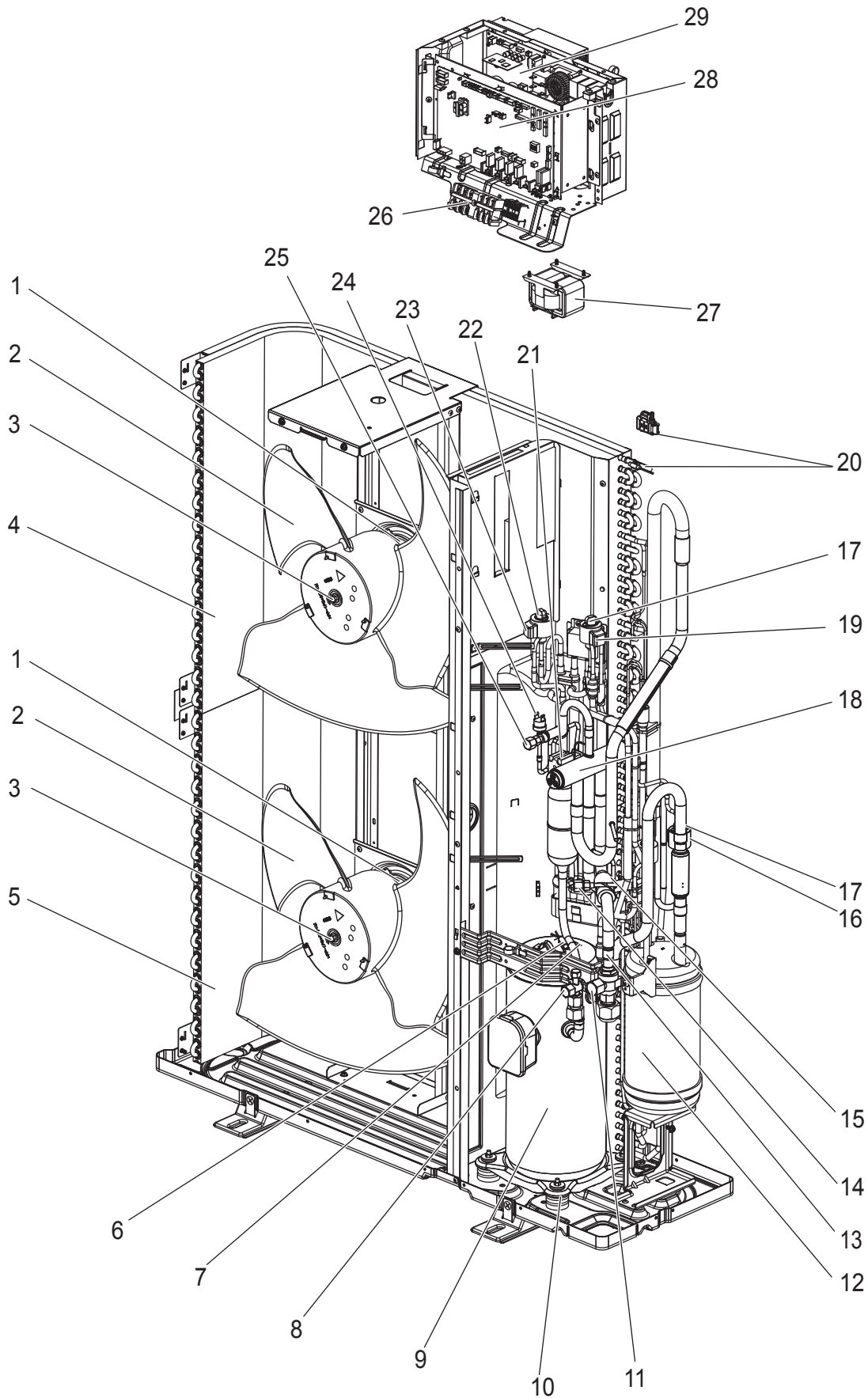


# RoHS PARTS LIST

No.	RoHS	Parts No.	Parts Name	Specification	Q'ty/unit		Remarks (Drawing No.)	Wiring Diagram Symbol
					PUHZ-ZRP100VKA3.UK	PUHZ-ZRP125VKA3.UK		
1	G	S70 E80 763	FAN MOTOR		2	2		MF1,2
2	G	S70 E50 115	PROPELLER FAN		2	2		
3	G	S70 K01 097	NUT		2	2		
4	G	S70 E30 408	HEAT EXCHANGER (TOP)		1	1		
5	G	S70 E35 408	HEAT EXCHANGER (UNDER)		1	1		
6	G	S70 E57 202	THERMISTOR	Discharge	1	1		TH4
7	G	S70 E71 202	THERMISTOR	Comp. surface	1	1		TH33
8	G	S70 600 418	STOP VALVE (LIQUID)	3/8	1	1		
9	G	S70 E30 400	COMPRESSOR	ANB33FNFMT	1	1		MC
10	G	S70 E02 004	RUBBER MOUNT	1PC/ SET	4	4		
11	G	S70 E06 411	BALL VALVE (GAS)	5/8	1	1		
12	G	S70 E75 440	POWER RECEIVER		1	1		
13	G	S70 36L 450	STRAINER	50#	1	1		
14	G	S70 E02 413	CHARGE PLUG		1	1		
15	G	S70 E58 202	THERMISTOR	Liquid	1	1		TH3
16	G	S70 E60 402	LEV COIL	UKV-A296	1	1	CONNECTOR: RED	LEV-B
17	G	S70 E90 401	EXPANSION VALVE	UKV-25D36	2	2		
18	G	S70 E50 402	LEV COIL	UKV-A295	1	1	CONNECTOR: WHITE	LEV-A
19	G	S70 E05 403	4-WAY VALVE		1	1		
20	G	S70 E31 202	THERMISTOR	Ambient, 2-phase pipe	1	1		TH6,7
21	G	S70 E66 242	SOLENOID COIL <4-WAY VALVE>		1	1		21S4
22	G	S70 E10 208	HIGH PRESSURE SWITCH	OFF 4.14 MPA	1	1		63H
23	G	S70 E03 413	CHARGE PLUG		1	1		
24	G	S70 E11 716	TERMINAL BLOCK	6P (L,N,⊕,S1,S2,S3)	1	1		TB1
25	G	S70 K21 259	REACTOR	0.5 MH	1	1		DCL
26	G	S70 E65 315	CONTROLLER CIRCUIT BOARD		1	1		C.B.
27	G	S70 E25 313	POWER CIRCUIT BOARD		1	1		P.B.

# RoHS PARTS LIST

## FUNCTIONAL AND ELECTRICAL PARTS PUHZ-ZRP140VKA3.UK



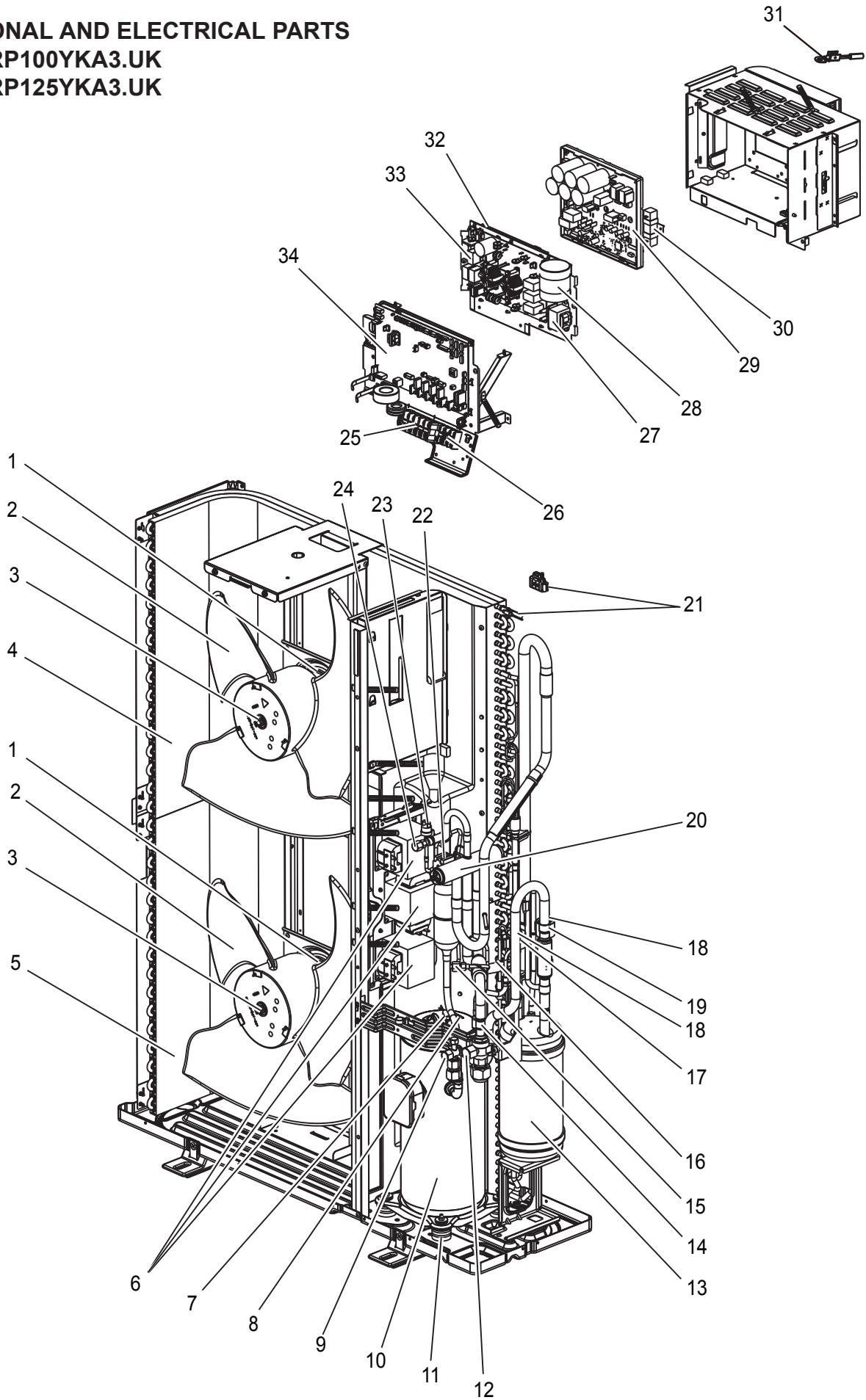


# RoHS PARTS LIST

No.	RoHS	Parts No.	Parts Name	Specification	Q'ty/unit	Remarks (Drawing No.)	Wiring Diagram Symbol
					PUHZ-ZRP140VKA3.UK		
1	G	S70 E80 763	FAN MOTOR		2		MF1,2
2	G	S70 E50 115	PROPELLER FAN		2		
3	G	S70 K01 097	NUT		2		
4	G	S70 E30 408	HEAT EXCHANGER (TOP)		1		
5	G	S70 E35 408	HEAT EXCHANGER (UNDER)		1		
6	G	S70 E57 202	THERMISTOR	Discharge	1		TH4
7	G	S70 E71 202	THERMISTOR	Comp. surface	1		TH33
8	G	S70 600 418	STOP VALVE (LIQUID)	3/8	1		
9	G	S70 E30 400	COMPRESSOR	ANB33FNFMT	1		MC
10	G	S70 E02 004	RUBBER MOUNT	1PC/ SET	4		
11	G	S70 E06 411	BALL VALVE (GAS)	5/8	1		
12	G	S70 E75 440	POWER RECEIVER		1		
13	G	S70 36L 450	STRAINER	50#	1		
14	G	S70 E02 413	CHARGE PLUG		1		
15	G	S70 E58 202	THERMISTOR	Liquid	1		TH3
16	G	S70 E50 402	LEV COIL	UKV-A295	1	CONNECTOR: WHITE	LEV-A
17	G	S70 E90 401	EXPANSION VALVE	UKV-25D36	2		
18	G	S70 E05 403	4-WAY VALVE		1		
19	G	S70 E60 402	LEV COIL	UKV-A296	1	CONNECTOR: RED	LEV-B
20	G	S70 E31 202	THERMISTOR	Ambient, 2-phase pipe	1		TH6,7
21	G	S70 E66 242	SOLENOID COIL <4-WAY VALVE>		1		21S4
22	G	S70 E95 401	EXPANSION VALVE	UKV-18D124	1		LEV-C
23	G	S70 E77 402	LEV COIL	UK-A213	1	CONNECTOR: BLUE	LEV-C
24	G	S70 E10 208	HIGH PRESSURE SWITCH	OFF 4.14 MPA	1		63H
25	G	S70 E03 413	CHARGE PLUG		1		
26	G	S70 E11 716	TERMINAL BLOCK	6P (L,N,⊕,S1,S2,S3)	1		TB1
27	G	S70 K21 259	REACTOR	0.5 MH	1		DCL
28	G	S70 E65 315	CONTROLLER CIRCUIT BOARD		1		C.B.
29	G	S70 E25 313	POWER CIRCUIT BOARD		1		P.B.

# RoHS PARTS LIST

FUNCTIONAL AND ELECTRICAL PARTS  
PUHZ-ZRP100YKA3.UK  
PUHZ-ZRP125YKA3.UK

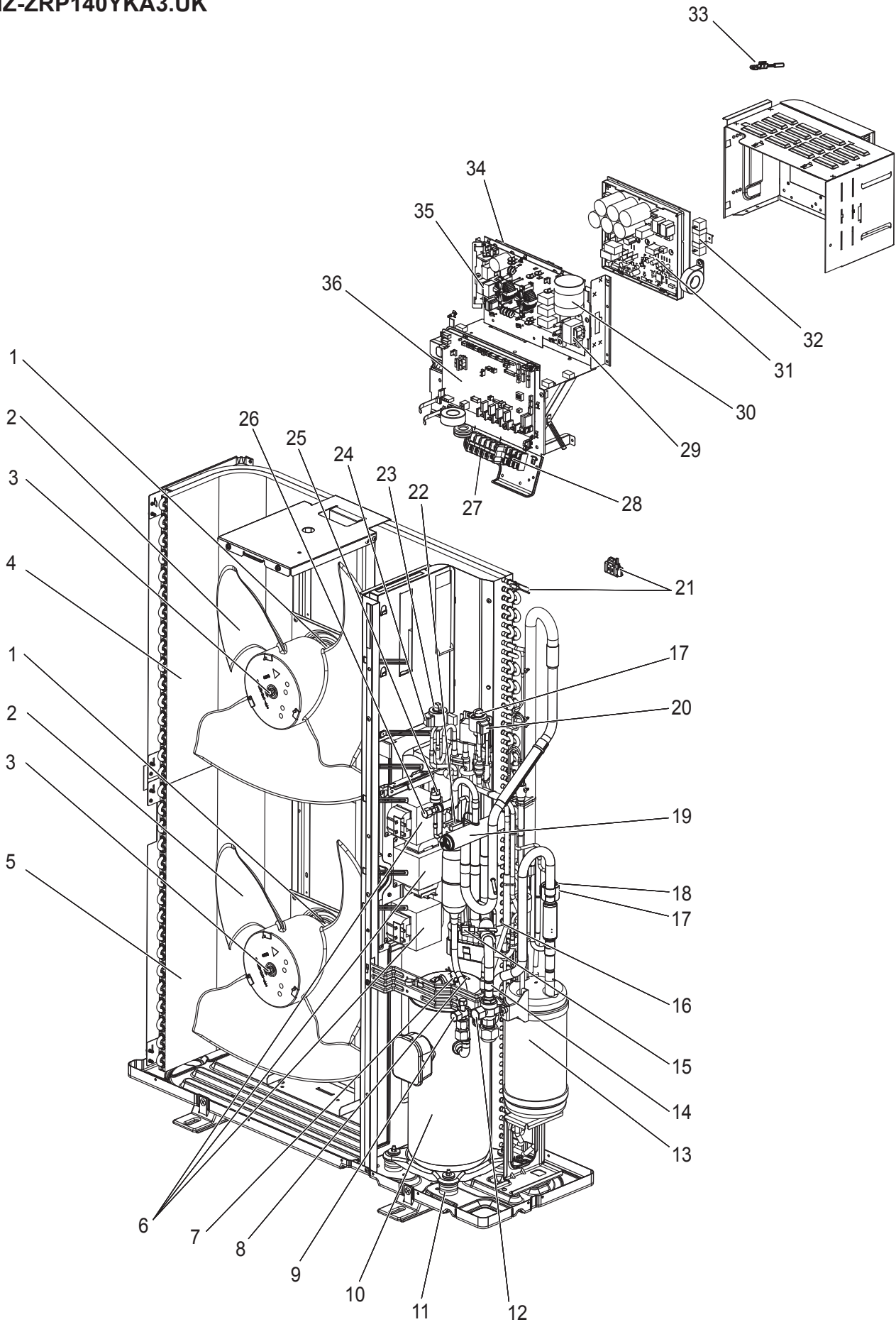


# RoHS PARTS LIST

No.	RoHS	Parts No.	Parts Name	Specification	Q'ty/unit		Remarks (Drawing No.)	Wiring Diagram Symbol
					PUHZ-ZRP100YKA3.UK	PUHZ-ZRP125YKA3.UK		
1	G	S70 E80 763	FAN MOTOR		2	2		MF1,2
2	G	S70 E50 115	PROPELLER FAN		2	2		
3	G	S70 K01 097	NUT		2	2		
4	G	S70 E30 408	HEAT EXCHANGER (TOP)		1	1		
5	G	S70 E35 408	HEAT EXCHANGER (UNDER)		1	1		
6	G	S70 K70 259	REACTOR		3			ACL1, 2, 3
	G	S70 K75 259	REACTOR			3		ACL1, 2, 3
7	G	S70 E59 202	THERMISTOR	Discharge	1	1		TH4
8	G	S70 E72 202	THERMISTOR	Comp. surface	1	1		TH33
9	G	S70 600 418	STOP VALVE (LIQUID)	3/8	1	1		
10	G	S70 E40 400	COMPRESSOR	ANB33FNCMT	1	1		MC
11	G	S70 E02 004	RUBBER MOUNT	1PC/ SET	4	4		
12	G	S70 E06 411	BALL VALVE (GAS)	5/8	1	1		
13	G	S70 E75 440	POWER RECEIVER		1	1		
14	G	S70 36L 450	STRAINER	50#	1	1		
15	G	S70 E02 413	CHARGE PLUG		1	1		
16	G	S70 E37 202	THERMISTOR	Liquid	1	1		TH3
17	G	S70 E60 402	LEV COIL	UKV-A296	1	1	CONNECTOR: RED	LEV-B
18	G	S70 E90 401	EXPANSION VALVE	UKV-25D36	2	2		
19	G	S70 E50 402	LEV COIL	UKV-A295	1		CONNECTOR: WHITE	LEV-A
20	G	S70 E05 403	4-WAY VALVE		1	1		
21	G	S70 E60 202	THERMISTOR	Ambient, 2-phase pipe	1	1		TH6,7
22	G	S70 E66 242	SOLENOID COIL <4-WAY VALVE>		1	1		21S4
23	G	S70 E10 208	HIGH PRESSURE SWITCH	OFF 4.1 4 MPA	1	1		63H
24	G	S70 E03 413	CHARGE PLUG		1	1		
25	G	S70 E09 716	TERMINAL BLOCK	5P (L1, L2, L3, N,Ⓢ)	1	1		TB1
26	G	S70 E08 716	TERMINAL BLOCK	3P (S1,S2,S3)	1	1		TB2
27	G	S70 K90 259	REACTOR		1	1		ACL4
28	G	S70 E71 255	CAPACITOR		1	1		CK
29	G	S70 E35 313	POWER CIRCUIT BOARD		1	1		P.B.
30	G	S70 E20 234	RESISTOR		1	1		RS
31	G	S70 E55 202	THERMISTOR (HEATSINK)		1	1		TH8
32	G	S70 E75 313	CONVERTER CIRCUIT BOARD		1	1		CONV.B.
33	G	S70 E50 346	NOISE FILTER CIRCUIT BOARD		1	1		N.F.
34	G	S70 E65 315	CONTROLLER CIRCUIT BOARD		1	1		C.B.

# RoHS PARTS LIST

## FUNCTIONAL AND ELECTRICAL PARTS PUHZ-ZRP140YKA3.UK



# RoHS PARTS LIST

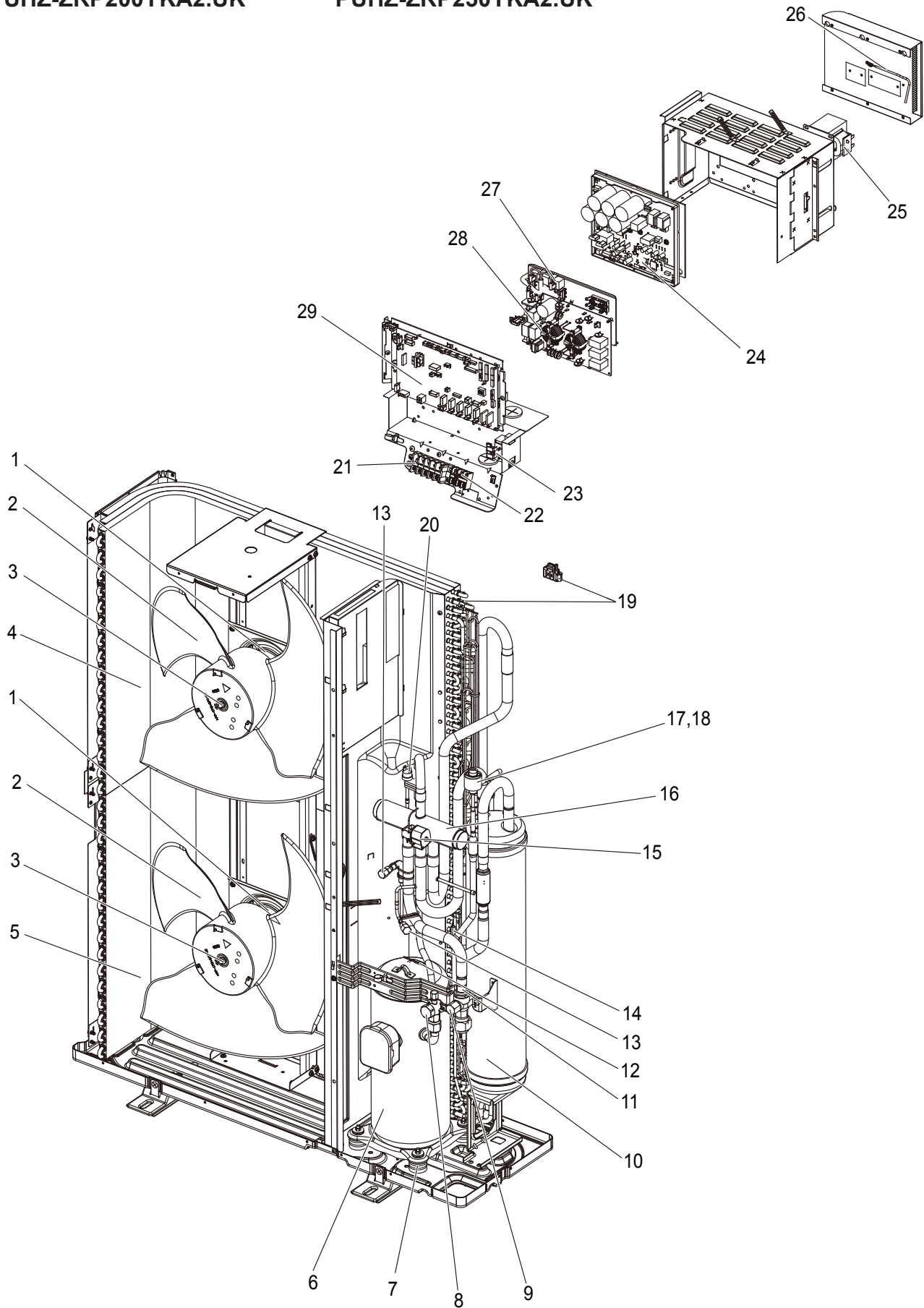
No.	RoHS	Parts No.	Parts Name	Specification	Q'ty/unit	Remarks (Drawing No.)	Wiring Diagram Symbol
					PUHZ-ZRP140YKA3.UK		
1	G	S70 E80 763	FAN MOTOR		2		MF1,2
2	G	S70 E50 115	PROPELLER FAN		2		
3	G	S70 K01 097	NUT		2		
4	G	S70 E30 408	HEAT EXCHANGER (TOP)		1		
5	G	S70 E35 408	HEAT EXCHANGER (UNDER)		1		
6	G	S70 K80 259	REACTOR		3		ACL1, 2, 3
7	G	S70 E59 202	THERMISTOR	Discharge	1		TH4
8	G	S70 E72 202	THERMISTOR	Comp. surface	1		TH33
9	G	S70 600 418	STOP VALVE (LIQUID)	3/8	1		
10	G	S70 E40 400	COMPRESSOR	ANB33FNCMT	1		MC
11	G	S70 E02 004	RUBBER MOUNT	1PC/ SET	4		
12	G	S70 E06 411	BALL VALVE (GAS)	5/8	1		
13	G	S70 E75 440	POWER RECEIVER		1		
14	G	S70 36L 450	STRAINER	50#	1		
15	G	S70 E02 413	CHARGE PLUG		1		
16	G	S70 E37 202	THERMISTOR	Liquid	1		TH3
17	G	S70 E90 401	EXPANSION VALVE	UKV-25D36	2		
18	G	S70 E50 402	LEV COIL	UKV-A295	1	CONNECTOR: WHITE	LEV-A
19	G	S70 E05 403	4-WAY VALVE		1		
20	G	S70 E60 402	LEV COIL	UKV-A296	1	CONNECTOR: RED	LEV-B
21	G	S70 E60 202	THERMISTOR	Ambient, 2-phase pipe	1		TH6,7
22	G	S70 E66 242	SOLENOID COIL <4-WAY VALVE>		1		21S4
23	G	S70 E95 401	EXPANSION VALVE	UKV-18D124	1		
24	G	S70 E77 402	LEV COIL		1	CONNECTOR: BLUE	LEV-C
25	G	S70 E10 208	HIGH PRESSURE SWITCH	OFF 4.14 MPA	1		63H
26	G	S70 E03 413	CHARGE PLUG		1		
27	G	S70 E09 716	TERMINAL BLOCK	5P (L1, L2, L3, N,⊕)	1		TB1
28	G	S70 E08 716	TERMINAL BLOCK	3P (S1,S2,S3)	1		TB2
29	G	S70 K90 259	REACTOR		1		ACL4
30	G	S70 E71 255	CAPACITOR		1		CK
31	G	S70 E35 313	POWER CIRCUIT BOARD		1		P.B.
32	G	S70 E20 234	RESISTOR		1		RS
33	G	S70 E55 202	THERMISTOR	Heat sink	1		TH8
34	G	S70 E75 313	CONVERTER CIRCUIT BOARD		1		CONV.B.
35	G	S70 E50 346	NOISE FILTER CIRCUIT BOARD		1		N.F.
36	G	S70 E65 315	CONTROLLER CIRCUIT BOARD		1		C.B.

# RoHS PARTS LIST

## FUNCTIONAL AND ELECTRICAL PARTS

PUHZ-ZRP200YKA2.UK

PUHZ-ZRP250YKA2.UK





# RoHS PARTS LIST

No.	RoHS	Parts No.	Parts Name	Specification	Q'ty/unit		Remarks (Drawing No.)	Wiring Diagram Symbol
					PUHZ-ZRP200YKA2.UK	PUHZ-ZRP250YKA2.UK		
1	G	S70 E90 763	FAN MOTOR		2	2		MF1,2
2	G	S70 E50 115	PROPELLER FAN		2	2		
3	G	S70 K01 097	NUT		2	2		
4	G	S70 E36 408	HEAT EXCHANGER (TOP)		1	1		
5	G	S70 E37 408	HEAT EXCHANGER (UNDER)		1	1		
6	G	S70 E70 400	COMPRESSOR	ANB52FRNMT	1	1		MC
7	G	S70 E02 004	RUBBER MOUNT	1 PC/ SET	4	4		
8	G	S70 600 418	STOP VALVE (LIQUID)	3/8'	1			
	G	S70 700 418	STOP VALVE (LIQUID)	1/2'		1		
9	G	S70 E08 411	BALL VALVE (GAS)	3/4'	1	1		
10	G	S70 E95 440	POWER RECEIVER		1	1		
11	G	S70 42L 450	STRAINER	50#	1	1		
12	G	S70 E69 202	THERMISTOR	Comp. surface	1	1		TH32
13	G	S70 E02 413	CHARGE PLUG		2	2		
14	G	S70 E58 202	THERMISTOR	Liquid	1	1		TH3
15	G	S70 E09 242	SOLENOID COIL <4-WAY VALVE>		1	1		21S4
16	G	S70 E06 403	4-WAY VALVE		1	1		
17	G	S70 E15 401	EXPANSION VALVE	UKV-32D	1	1		
18	G	S70 E30 402	LINEAR EXPANSION VALVE COIL	UKV-A277	1	1	CONNECTOR: WHITE	LEV-A
19	G	S70 E31 202	THERMISTOR	Ambient, 2-phase pipe	1	1		TH6,7
20	G	S70 E10 208	HIGH PRESSURE SWITCH	OFF 4.14 MPA	1	1		63H
21	G	S70 E09 716	TERMINAL BED	5P(L1,L2,L3 N,E)	1	1		TB1
22	G	S70 E08 716	TERMINAL BED	3P(S1,S2,S3)	1	1		TB2
23	G	S70 K25 259	REACTOR		1	1		ACL4
24	G	S70 E45 313	POWER CIRCUIT BOARD		1	1		P.B.
25	G	S70 K35 259	REACTOR		1	1		DCL
26	G	S70 E55 202	THERMISTOR	Heat sink	1	1		TH8
27	G	S70 E20 234	RESISTOR		1	1		RS
28	G	S70 E70 346	NOISE FILTER CIRCUIT BOARD		1	1		N.F.
29	G	S70 E99 315	CONTROLLER CIRCUIT BOARD		1	1		C.B.

# RoHS PARTS LIST

## STRUCTURAL PARTS

PUHZ-ZRP100VKA3.UK

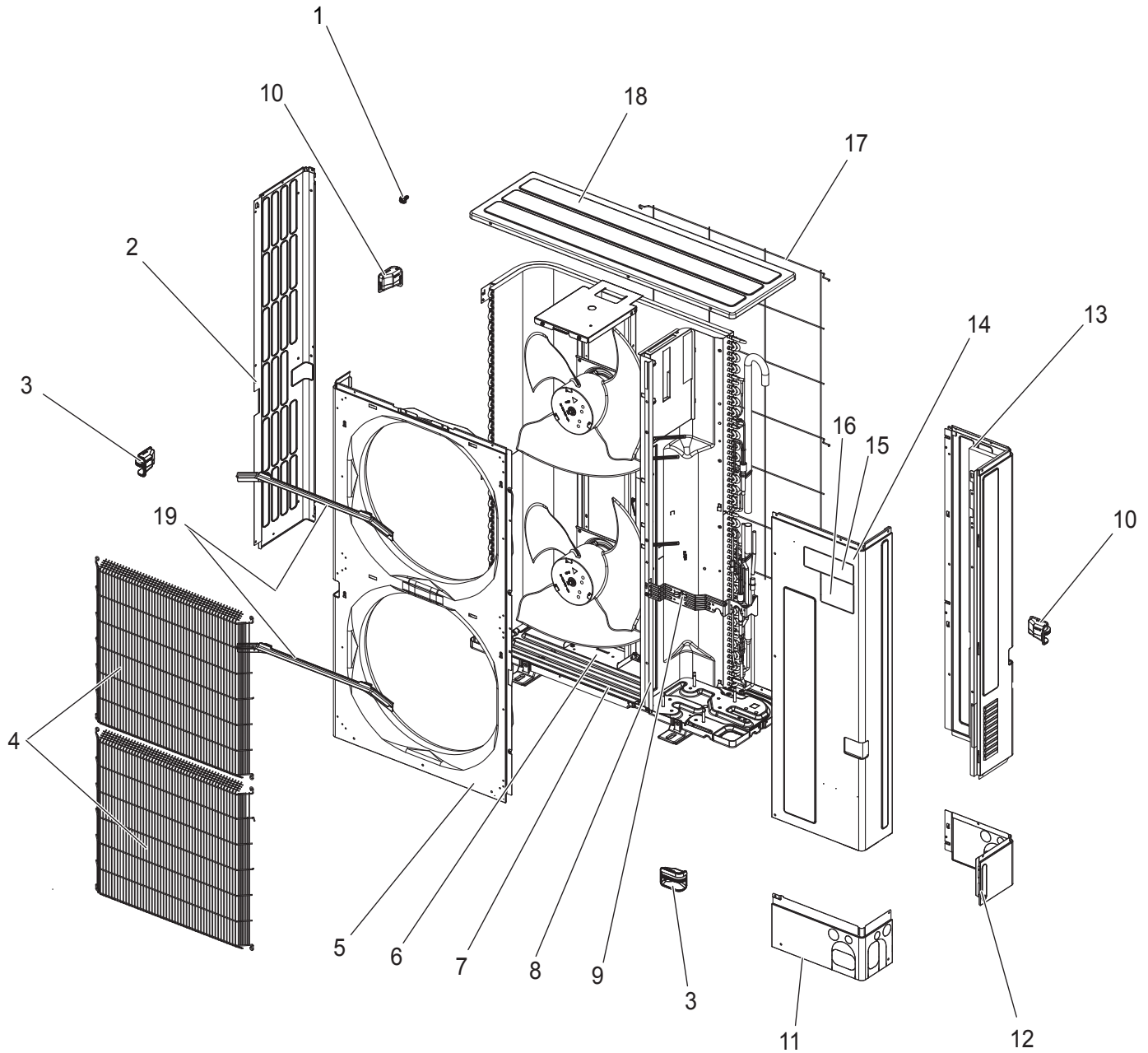
PUHZ-ZRP125VKA3.UK

PUHZ-ZRP140VKA3.UK

PUHZ-ZRP100YKA3.UK

PUHZ-ZRP125YKA3.UK

PUHZ-ZRP140YKA3.UK



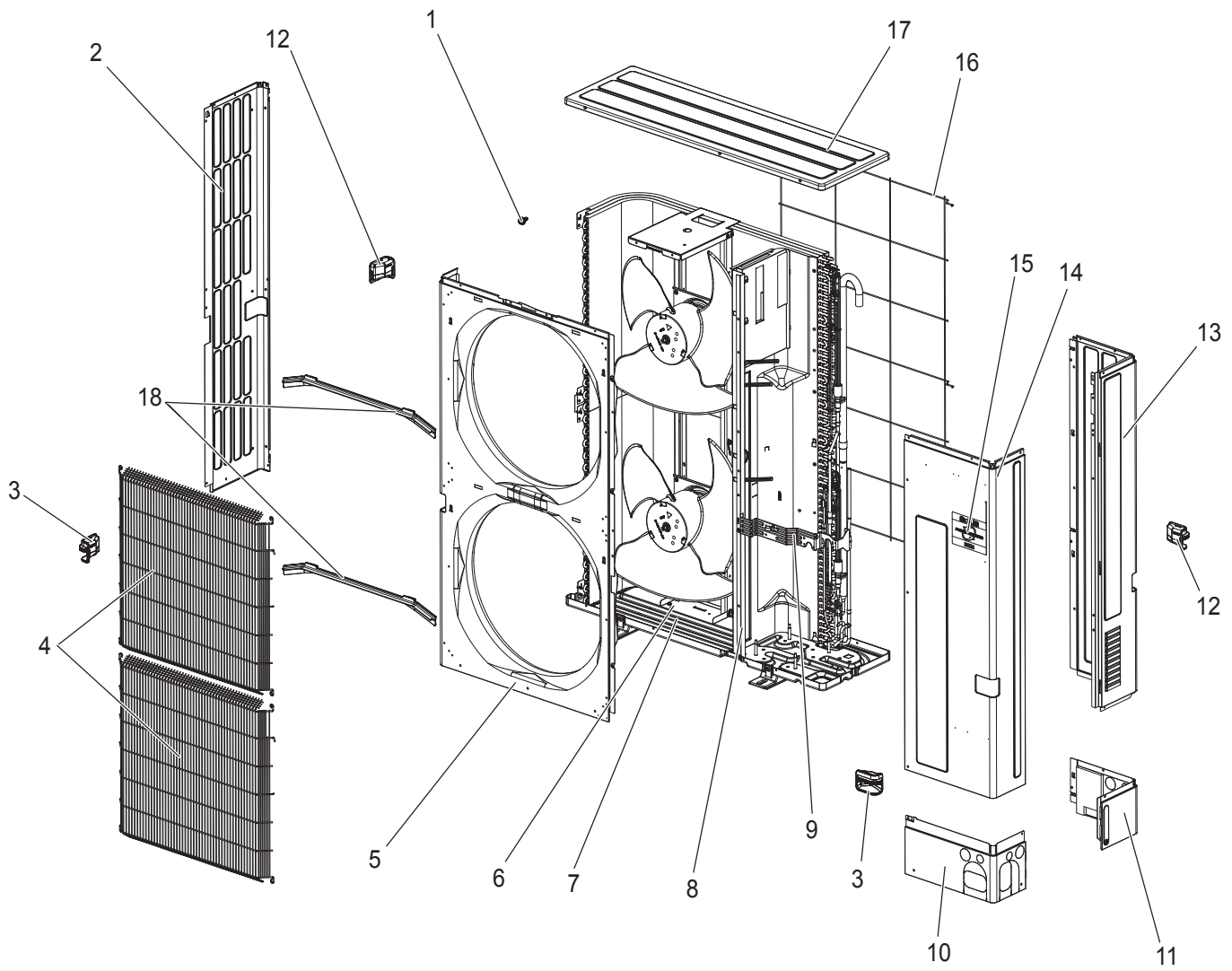
# RoHS PARTS LIST

No.	RoHS	Parts No.	Parts Name	Specifi- cation	Q'ty/unit						Remarks (Drawing No.)
					PUHZ-ZRP100VKA3.UK	PUHZ-ZRP125VKA3.UK	PUHZ-ZRP140VKA3.UK	PUHZ-ZRP100YKA3.UK	PUHZ-ZRP125YKA3.UK	PUHZ-ZRP140YKA3.UK	
1	G	—	F.ST SCREW	(5×12)	45	45	45	45	45	45	(DG12F536H12)
2	G	S70 E17 662	SIDE PANEL (L)		1	1	1	1	1	1	
3	G	S70 E20 655	HANDLE (FRONT)		2	2	2	2	2	2	
4	G	S70 E40 675	FAN GRILLE		2	2	2	2	2	2	
5	G	S70 E61 668	FRONT PANEL		1	1	1	1	1	1	
6	G	S70 E90 130	MOTOR SUPPORT		1	1	1	1	1	1	
7	G	S70 E91 686	BASE ASSY		1	1	1	1	1	1	
8	G	—	SEPARATOR		1	1					(BK00N021G56)
	G	—	SEPARATOR				1				(BK00N021G57)
	G	—	SEPARATOR					1	1		(BK00N021G58)
	G	—	SEPARATOR							1	(BK00N021G59)
9	G	—	VALVE BED ASSY		1	1	1	1	1	1	(BK00R803G03)
10	G	S70 E30 655	HANDLE (REAR)		2	2	2	2	2	2	
11	G	S70 E55 658	COVER PANEL (FRONT)		1	1	1	1	1	1	
12	G	S70 E65 658	COVER PANEL (REAR)		1	1	1	1	1	1	
13	G	S70 E95 662	SIDE PANEL (R)		1	1	1	1	1	1	
14	G	S70 E45 661	SERVICE PANEL		1	1	1	1	1	1	
15	G	S70 E40 699	LABEL (BRAND)		1	1	1	1	1	1	
16	G	S70 E60 699	LABEL (MITSUBISHI)		1	1	1	1	1	1	
17	G	S70 E30 698	REAR GUARD		1	1	1	1	1	1	
18	G	S70 E40 641	TOP PANEL		1	1	1	1	1	1	
19	G	S70 E10 631	ICE GUARD		2	2	2	2	2	2	

# RoHS PARTS LIST

STRUCTURAL PARTS  
PUHZ-ZRP200YKA2.UK

PUHZ-ZRP250YKA2.UK



# RoHS PARTS LIST

No.	RoHS	Parts No.	Parts Name	Specification	Q'ty/unit		Remarks (Drawing No.)
					PUHZ-ZRP200YKA2.UK	PUHZ-ZRP250YKA2.UK	
1	G	—	F.ST SCREW	(5×12)	45	45	(DG12F536H12)
2	G	S70 E17 662	SIDE PANEL (L)		1	1	
3	G	S70 E20 655	HANDLE (FRONT)		2	2	
4	G	S70 E40 675	FAN GRILLE		2	2	
5	G	S70 E61 668	FRONT PANEL		1	1	
6	G	S70 E95 130	MOTOR SUPPORT		1	1	
7	G	S70 E91 686	BASE ASSY		1	1	
8	G	—	SEPARATOR		1	1	(BK00N021G60)
9	G	—	VALVE BED ASSY		1	1	(BK00R803G03)
10	G	S70 E55 658	COVER PANEL (FRONT)		1	1	
11	G	S70 E65 658	COVER PANEL (REAR)		1	1	
12	G	S70 E30 655	HANDLE (REAR)		2	2	
13	G	S70 E18 662	SIDE PANEL (R)		1	1	
14	G	S70 E45 661	SERVICE PANEL		1	1	
15	G	S70 E40 699	LABEL (BRAND)		1	1	
16	G	S70 E30 698	REAR GUARD		1	1	
17	G	S70 E40 641	TOP PANEL		1	1	
18	G	S70 E10 631	ICE GUARD		2	2	

**Mr. SLIM**

**mitsubishi electric corporation**

HEAD OFFICE : TOKYO BUILDING, 2-7-3, MARUNOUCHI, CHIYODA-KU, TOKYO 100-8310, JAPAN