

# PARTS CATALOG

## Series PLFY Ceiling Cassettes R410A

**Indoor unit**
**[Model names]**

PLFY-P20VEM-E  
 PLFY-P25VEM-E  
 PLFY-P32VEM-E  
 PLFY-P40VEM-E  
 PLFY-P50VEM-E  
 PLFY-P63VEM-E  
 PLFY-P80VEM-E  
 PLFY-P100VEM-E  
 PLFY-P125VEM-E

**[Service Ref.]**

PLFY-P20VEM-E.UK  
 PLFY-P25VEM-E.UK  
 PLFY-P32VEM-E.UK  
 PLFY-P40VEM-E.UK  
 PLFY-P50VEM-E.UK  
 PLFY-P63VEM-E.UK  
 PLFY-P80VEM-E.UK  
 PLFY-P100VEM-E.UK  
 PLFY-P125VEM-E.UK

**Note:**

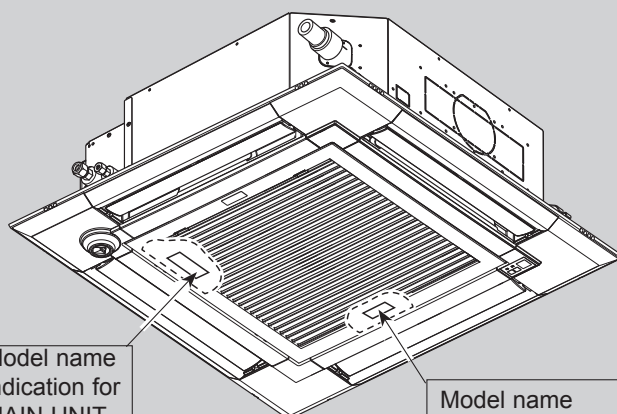
- RoHS compliant products have <G> mark on the spec name plate.

**Grille model**
**[Model names]**

PLP-6EA  
 PLP-6EAE  
 PLP-6EAL  
 PLP-6EAL E  
 PLP-6EAJ  
 PLP-6EAJE  
 PLP-6EALM  
 PLP-6EALME

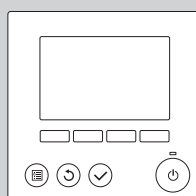
**[Service Ref.]**

PLP-6EA                      PLP-6EAR1  
 PLP-6EAE                  PLP-6EAER1  
 PLP-6EAL                  PLP-6EALR1  
 PLP-6EAL E                PLP-6EALER1  
 PLP-6EAJ  
 PLP-6EAJE  
 PLP-6EALM  
 PLP-6EALME


**INDOOR UNIT**

 Model name  
indication for  
MAIN UNIT

 Model name  
indication for GRILLE

**WIRELESS REMOTE  
CONTROLLER**  
(Option)

**WIRED REMOTE  
CONTROLLER**  
(Option)

**CONTENTS**

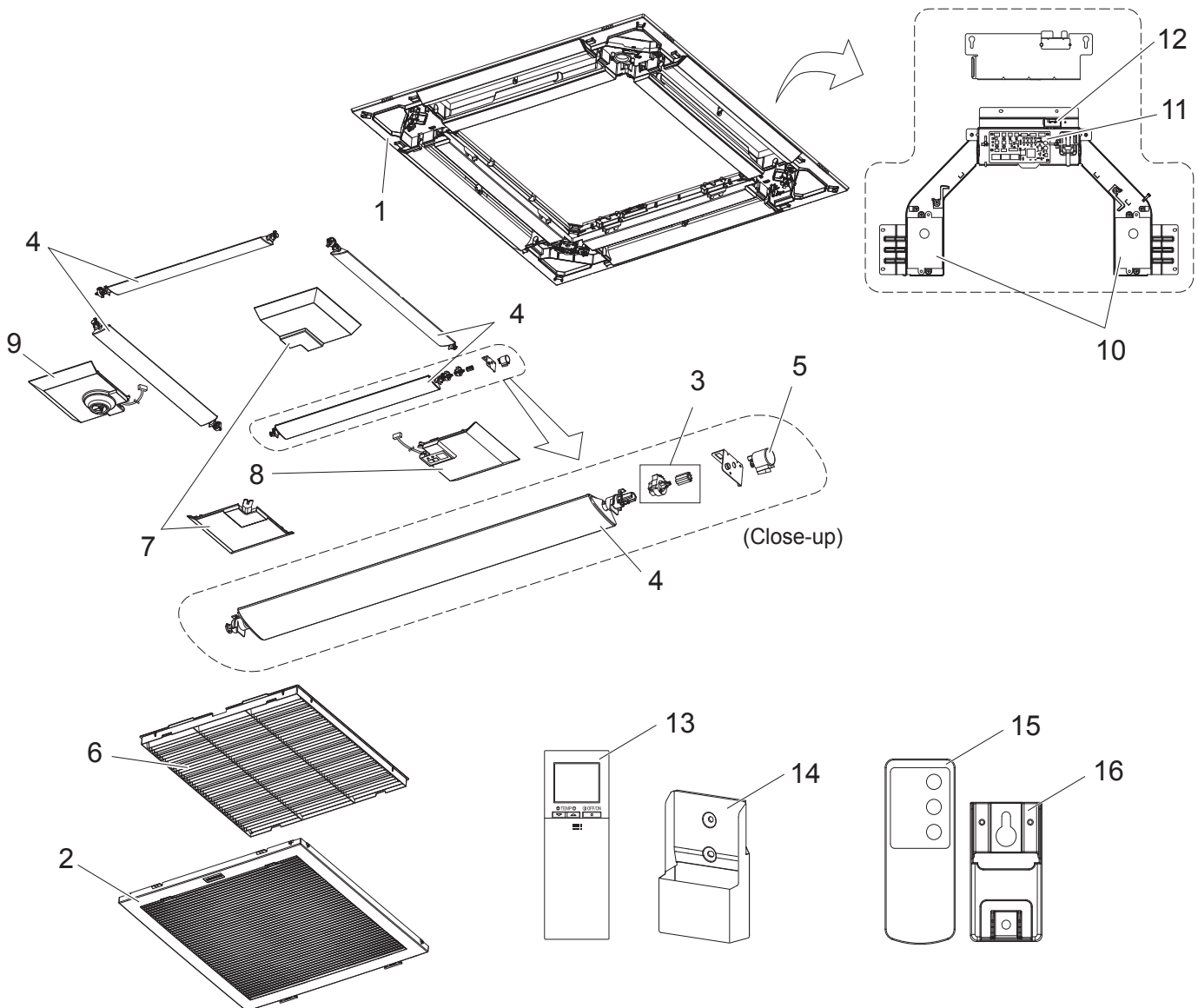
1. RoHS PARTS LIST .....2
2. OPTIONAL PARTS LIST .....7

**SERVICE MANUAL (OCH657)**

## GRILLE PARTS

[Service Ref.]

PLP-6EA	PLP-6EAR1	(Standard)
PLP-6EAL	PLP-6EALR1	(Standard with signal receiver)
PLP-6EAE	PLP-6EAER1	(Standard with i-see Sensor)
PLP-6EALE	PLP-6EALER1	(Standard with signal receiver and i-see Sensor)
PLP-6EAJ		(Elevation)
PLP-6EAJE		(Elevation with i-see Sensor)
PLP-6EALM		(Standard with signal receiver and wireless remote controller)
PLP-6EALME		(Standard with signal receiver, i-see Sensor, and wireless remote controller)



# RoHS PARTS LIST

No.	RoHS	Parts No.	Parts Name	Specification	Q'ty/unit										Wiring Diagram Symbol		
					PLP-6EA	PLP-6EAR1	PLP-6EAL	PLP-6EALR1	PLP-6EAE	PLP-6EAER1	PLP-6EALE	PLP-6EALER1	PLP-6EAJ	PLP-6EAJE		PLP-6EALM	PLP-6EALME
1	G	E17 D72 003	AIR OUTLET GRILLE		1		1		1		1						
	G	E17 F85 003	AIR OUTLET GRILLE			1		1		1		1	1	1	1	1	
2	G	E17 D72 010	INTAKE GRILLE		1		1		1		1						
	G	E17 F85 010	INTAKE GRILLE			1		1		1				1	1		
	G	E17 F91 010	INTAKE GRILLE									1	1				
3	G	E17 D72 031	GEAR (VANE&S/M)		4		4		4		4						
	G	E17 F85 031	GEAR (VANE&S/M)			4		4		4		4	4	4	4	4	
4	G	E17 D72 037	AUTO VANE&VANE BUSH		4		4		4		4						
	G	E17 F85 037	AUTO VANE&VANE BUSH			4		4		4		4	4	4	4	4	
5	G	E17 103 303	VANE MOTOR		4	4	4	4	4	4	4	4	4	4	4	4	MV
6	G	E17 D72 100	AIR FILTER		1		1		1		1						
	G	E17 F85 100	AIR FILTER			1		1		1		1	1	1	1	1	
7	G	E17 D72 975	CORNER PANEL		4		3		3		2						
	G	E17 F85 975	CORNER PANEL			4		3		3		2	3	2	3	2	
8	G	E17 D73 975	CORNER PANEL (Signal receiver)				1				1						
	G	E17 F88 975	CORNER PANEL (Signal receiver)					1			1	1	1	1	1		
9	G	E17 D74 975	CORNER PANEL (i-see Sensor)						1		1						
	G	E17 F86 975	CORNER PANEL (i-see Sensor)							1		1		1		1	
10	G	E17 F91 471	MOTOR BOX									2	2				
11	G	E17 F91 447	CONTROLLER BOARD									1	1				
12	G	E17 F91 316	LIMIT SWITCH									1	1				
13	G	E17 F89 426	WIRELESS REMOTE CONTROLLER	PAR-SL100A-E												1	1
14	G	E17 D44 083	HOLDER	for PAR-SL100A-E												1	1
15	G	E17 F91 426	WIRELESS REMOTE CONTROLLER	for Elevation panel								1	1				
16	G	E17 F91 083	HOLDER	for Elevation panel								1	1				

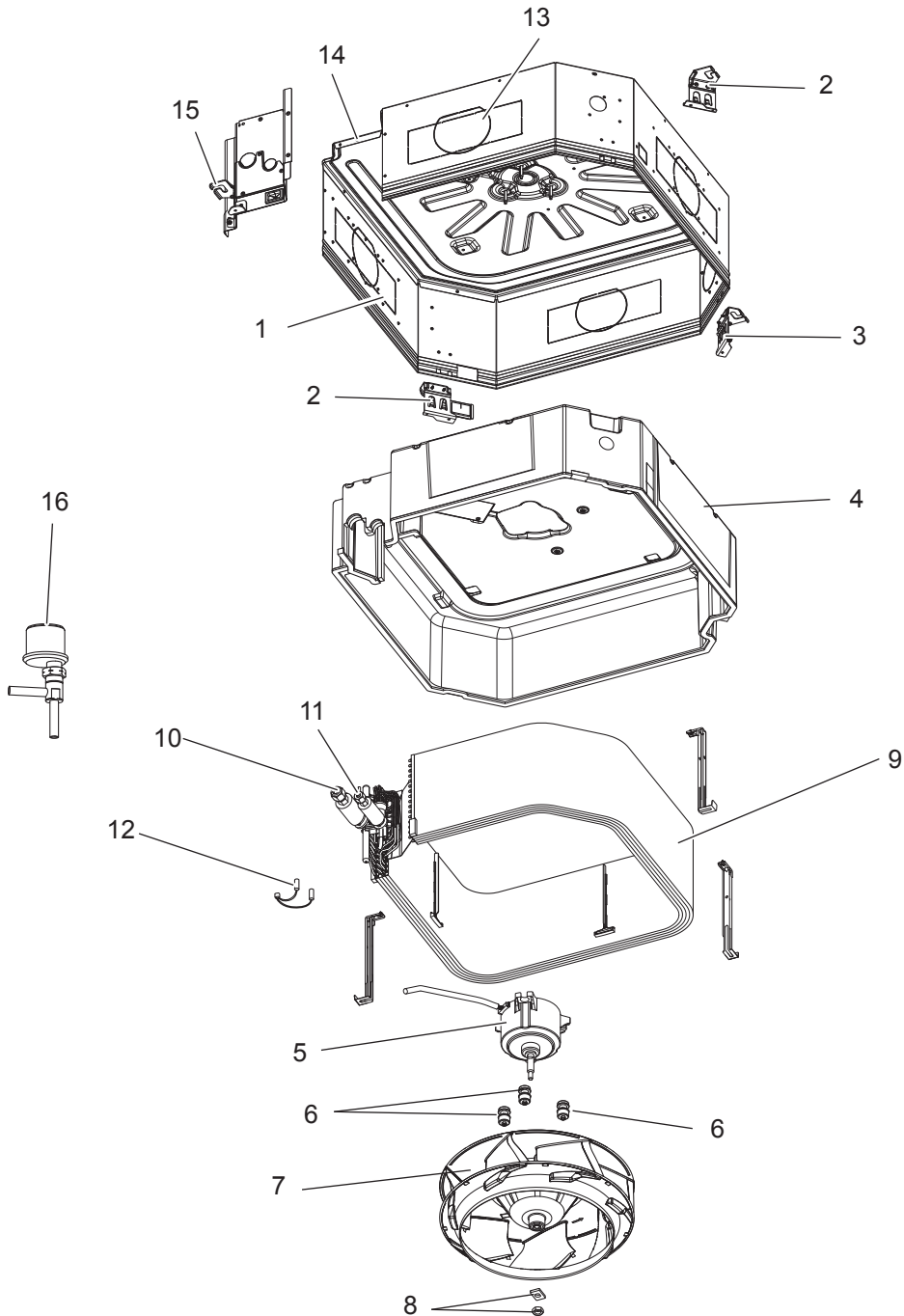
# RoHS PARTS LIST

## STRUCTURAL AND FUNCTIONAL PARTS

PLFY-P20VEM-E.UK  
PLFY-P40VEM-E.UK  
PLFY-P80VEM-E.UK

PLFY-P25VEM-E.UK  
PLFY-P50VEM-E.UK  
PLFY-P100VEM-E.UK

PLFY-P32VEM-E.UK  
PLFY-P63VEM-E.UK  
PLFY-P125VEM-E.UK

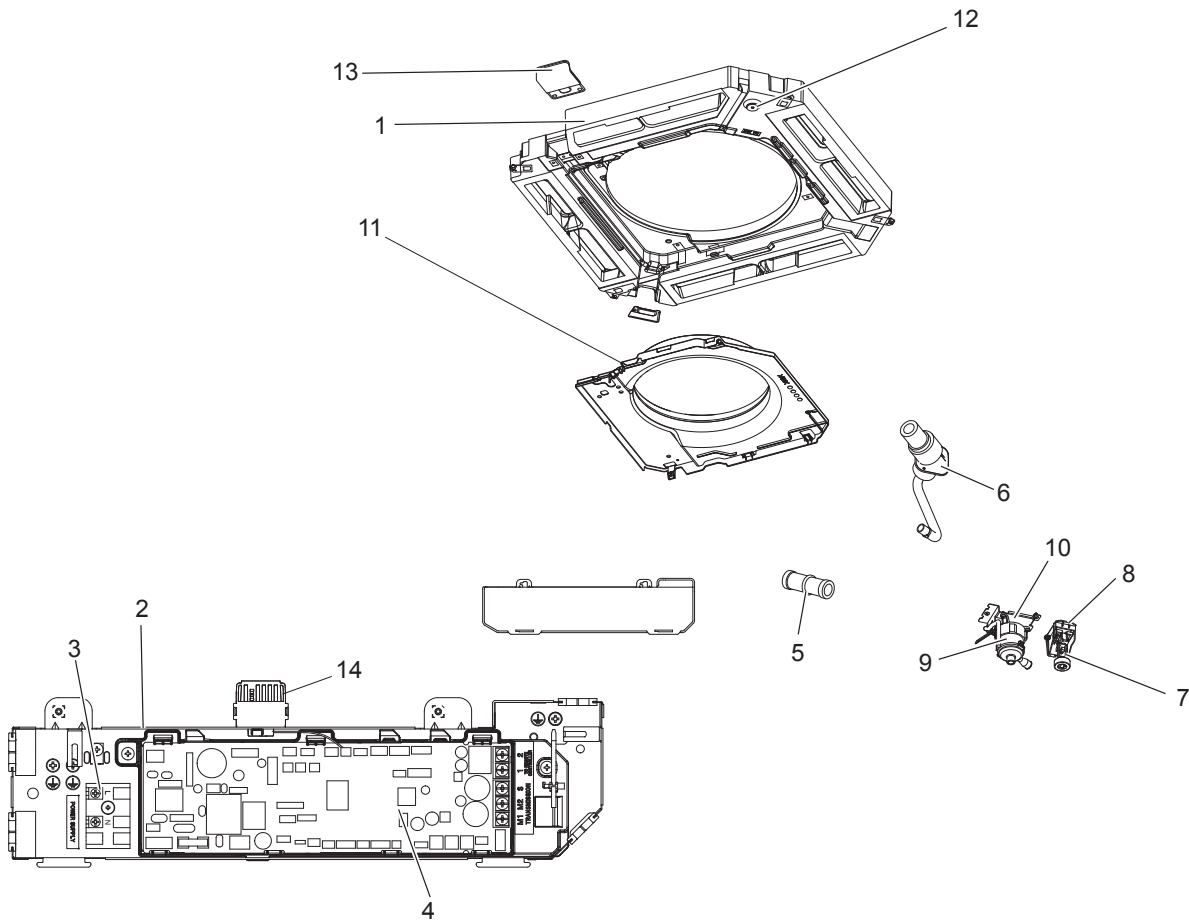


# RoHS PARTS LIST

No.	RoHS	Parts No.	Parts Name	Specification	Q'ty/unit									Wiring Diagram Symbol
					PLFY-P-VEM-E.UK									
					20	25	32	40	50	63	80	100	125	
1	G	S70 0B7 688	DRUM 2 ASSY		1	1	1	1	1	1	1			
	G	S70 0B6 688	DRUM 2 ASSY									1	1	
2	G	S70 EA2 130	LEG PUMP		2	2	2	2	2	2	2	2	2	
3	G	S70 EA1 130	LEG FA		1	1	1	1	1	1	1	1	1	
4	G	S70 0B4 659	INNER COVER ASSY-S		1	1	1	1	1	1	1			
	G	S70 0B5 659	INNER COVER ASSY-L									1	1	
5	G	S70 0B4 762	FAN MOTOR	(DC)-S	1	1	1	1	1	1	1			MF
	G	S70 0B5 762	FAN MOTOR	(DC)-M								1	1	MF
6	G	S70 0B1 105	MOTOR MOUNT		3	3	3	3	3	3	3	3	3	
7	G	S70 0B4 114	TURBO FAN		1	1	1	1	1	1	1	1	1	
8	G	S70 08K 097	SPL WASHER / NUT		1	1	1	1	1	1	1	1	1	
9	G	S70 B18 480	HEAT EXCHANGER		1	1	1							
	G	S70 B19 480	HEAT EXCHANGER					1	1					
	G	S70 B20 480	HEAT EXCHANGER							1				
	G	S70 B21 480	HEAT EXCHANGER								1			
	G	S70 B22 480	HEAT EXCHANGER									1		
	G	S70 B23 480	HEAT EXCHANGER										1	
10	G	S70 0B1 097	FLARE NUT	1/2"	1	1	1	1	1					
	G	S70 E15 097	FLARE NUT	5/8"						1	1	1	1	
11	G	S70 E10 097	FLARE NUT	1/4"	1	1	1	1	1					
	G	S70 E17 097	FLARE NUT	3/8"						1	1	1	1	
12	G	S70 0B4 202	THERMISTOR		1	1	1	1	1	1	1	1	1	TH22/ TH23
13	G	S70 0B5 688	DRUM 1 ASSY		1	1	1	1	1	1	1			
	G	S70 0B8 688	DRUM 1 ASSY									1	1	
14	G	S70 0B2 687	BASE		1	1	1	1	1	1	1	1	1	
15	G	S70 EA3 130	LEG PIPE		1	1	1	1	1	1	1	1	1	
16	G	S70 0B3 401	LEV-4		1	1	1	1	1	1				LEV
	G	S70 0B4 401	LEV-8								1	1	1	LEV

# RoHS PARTS LIST

## FUNCTIONAL AND ELECTRICAL PARTS



No.	RoHS	Parts No.	Parts Name	Specification	Q'ty/unit								Remarks (Drawing No.)	Wiring Diagram Symbol	
					PLFY-P-VEM-E.UK										
					20	25	32	40	50	63	80	100			125
1	G	S70 0B5 529	DRAIN PAN		1	1	1	1	1	1	1	1	1		
2	G	S70 0B7 501	ELECTRICAL CONTROL BOX		1	1	1	1	1	1	1	1	1		
3	G	S70 B03 716	TERMINAL BLOCK	2P (L,N)	1	1	1	1	1	1	1	1	1		TB2
4	G	S70 B25 310	INDOOR CONTROLLER BOARD		1	1	1	1	1	1	1	1	1		I.B
5	G	S70 29H 523	DRAIN SOCKET		1	1	1	1	1	1	1	1	1	Accessory	
6	G	S70 0B2 527	DRAIN HOSE ASSY		1	1	1	1	1	1	1	1	1		
7	G	S70 0B2 266	FLOAT SWITCH		1	1	1	1	1	1	1	1	1		FS
8	G	S70 0B2 533	FLOAT SWITCH BASE		1	1	1	1	1	1	1	1	1		
9	G	S70 0B2 355	DRAIN PUMP	220-240 V	1	1	1	1	1	1	1	1	1		DP
10	G	S70 0B3 533	DRAIN PUMP BASE		1	1	1	1	1	1	1	1	1		
11	G	S70 0B3 502	BELLMOUTH-S		1	1	1	1	1	1	1				
	G	S70 0B4 502	BELLMOUTH-L									1	1		
12	G	S70 A41 524	DRAIN PLUG		1	1	1	1	1	1	1	1	1		
13	G	S70 EA1 663	WIRE COVER		1	1	1	1	1	1	1	1	1		
14	G	S70 0B3 202	ROOM TEMP. THERMISTOR	220XAP	1	1	1	1	1	1	1	1	1		TH21

**2****OPTIONAL PARTS**

<b>Parts name</b>	<b>Parts No.</b>
SPACE PANEL	PAC-SJ65AS-E
AIR OUTLET SHUTTER PLATE	PAC-SJ37SP-E
WIRED REMOTE CONTROLLER (MA REMOTE CONTROLLER)	PAR-32MAA
WIRED REMOTE CONTROLLER (MA REMOTE CONTROLLER)	PAR-U02MEDA
WIRED REMOTE CONTROLLER (SIMPLE MA REMOTE CONTROLLER)	PAC-YT52CRA
WIRELESS REMOTE CONTROLLER	PAR-SL100A-E
WIRELESS REMOTE CONTROLLER	PAR-FL32MA
HIGH EFFICIENCY FILTER ELEMENT	PAC-SH59KF-E
MULTI-FUNCTIONAL CASEMENT	PAC-SH53TM-E
FLANGE FOR FRESH AIR INTAKE	PAC-SH65OF-E
MA & CONTACT TERMINAL INTERFACE	MAC-397IF-E
REMOTE SENSOR	PAC-SE41TS-E
Wi-Fi INTERFACE	MAC-557IF-E
REMOTE ON/OFF ADAPTER	PAC-SE55RA-E
REMOTE DISPLAY ADAPTER	PAC-SA88HA-E
GRILLE (i-see Sensor)	PLP-6EAE, PLP-6EAER1
GRILLE (i-see Sensor with signal receiver)	PLP-6EALE, PLP-6EALER1
GRILLE (i-see Sensor with receiver and wireless remote controller)	PLP-6EALME
GRILLE (Standard)	PLP-6EA, PLP-6EAR1
GRILLE (Standard with signal receiver)	PLP-6EAL, PLP-6EALR1
GRILLE (Standard with receiver and wireless remote controller)	PLP-6EALM
GRILLE (Automatic filter elevation without i-see Sensor)	PLP-6EAJ
GRILLE (Automatic filter elevation with i-see Sensor)	PLP-6EAJE
i-SEE SENSOR CORNER PANEL	PAC-SE1ME-E
SIGNAL RECEIVER CORNER PANEL	PAR-SE9FA-E

# CITY MULTI

**MITSUBISHI ELECTRIC CORPORATION**

HEAD OFFICE : TOKYO BUILDING, 2-7-3, MARUNOUCHI, CHIYODA-KU, TOKYO 100-8310, JAPAN

---