

SERVICE PARTS LIST FOR MITSUBISHI ELECTRIC PACKAGED AIR-CONDITIONERS

Series : PEFY-WP•VMS1-E.TH

REVISED

Mar. 2017

BWE01301C

INDEX

PEFY-WP10VMS1-E.TH

PEFY-WP15VMS1-E.TH

PEFY-WP20VMS1-E.TH

PEFY-WP25VMS1-E.TH

PEFY-WP32VMS1-E.TH

PEFY-WP40VMS1-E.TH

PEFY-WP50VMS1-E.TH

Part information update day : **2017/03/02**

Please change the old catalog (issued Jan. 2017, No.BWE01301B) to this new catalog.
Content of revision : Some of parts are changed. Added new models.

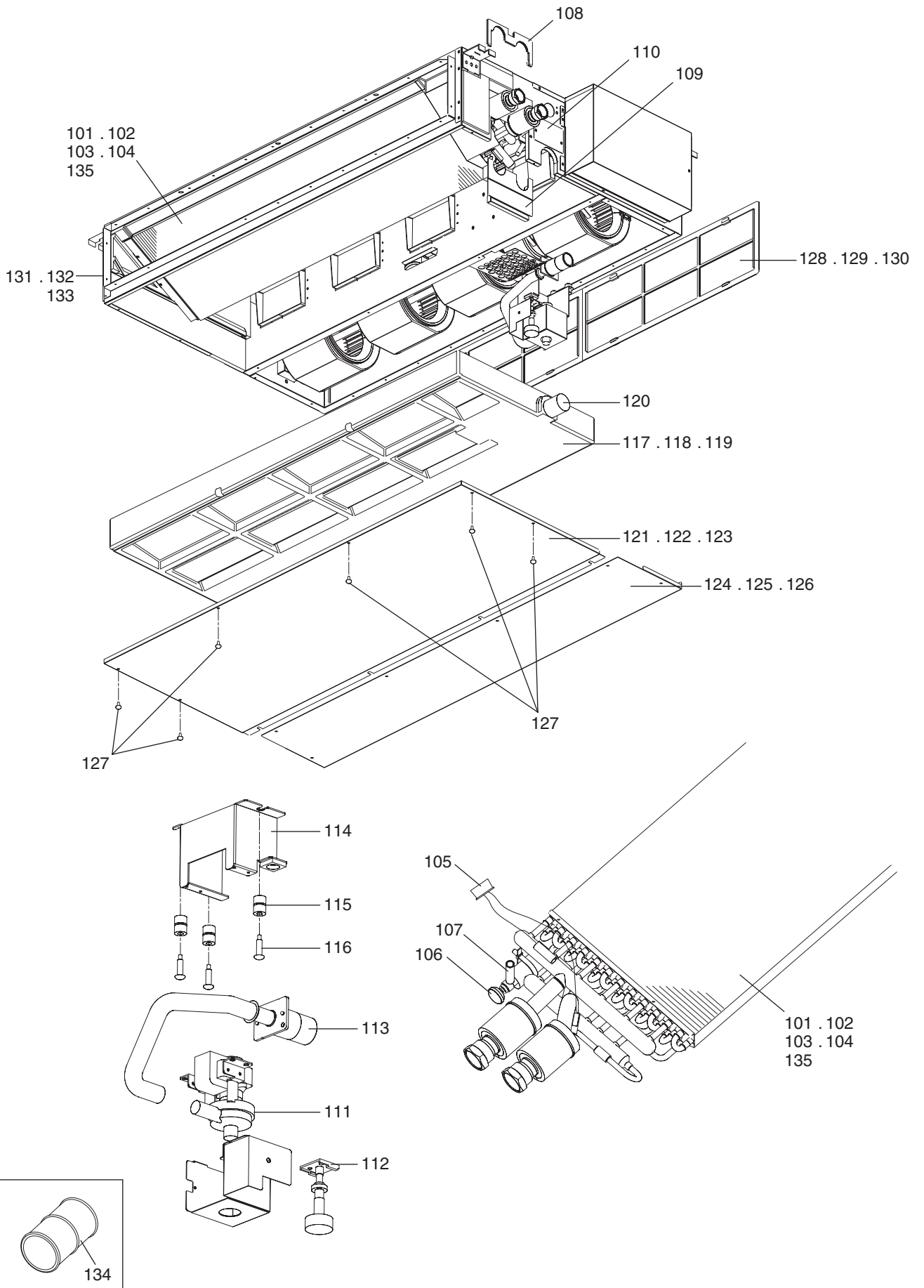


Added new models

PEFY-WP10VMS1-E.TH :Added Mar. 2017

PEFY-WP10,WP15,WP20VMS1-E.TH
PEFY-WP25,WP32VMS1-E.TH
PEFY-WP40,WP50VMS1-E.TH

EXTERNAL PARTS

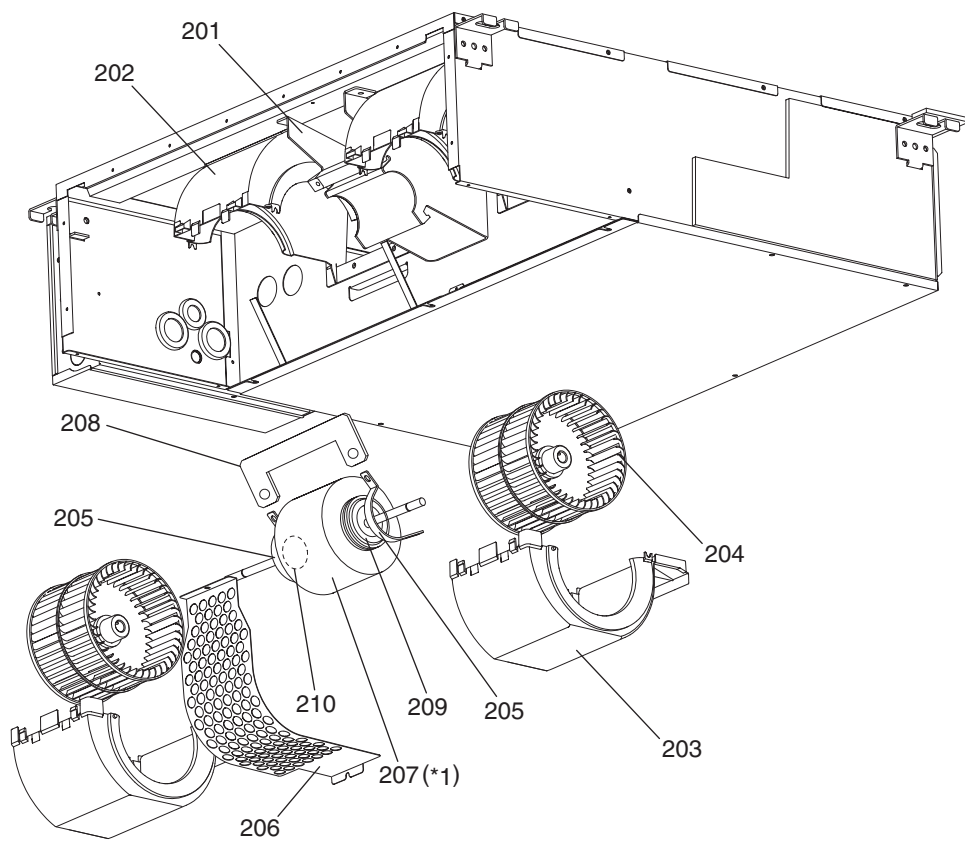


PEFY-WP10,WP15,WP20VMS1-E.TH EXTERNAL PARTS
 PEFY-WP25,WP32VMS1-E.TH
 PEFY-WP40,WP50VMS1-E.TH

No.	Part No.	G : RoHS Apply Only W : RoHS Apply by Running Change	Part Name	Spec.	PEFY-WP10VMS1-E.TH	PEFY-WP15VMS1-E.TH	PEFY-WP20VMS1-E.TH	PEFY-WP25VMS1-E.TH	PEFY-WP32VMS1-E.TH	PEFY-WP40VMS1-E.TH	Dwg. No.	Notes for the models	Revision info.
101	E17 895 620	G	HEAT EXCHANGER	WP15		1					KB00A580B03		Chg.
102	E17 896 620	G	HEAT EXCHANGER	WP25			1	1			KB00A579B03		Chg.
103	E17 898 620	G	HEAT EXCHANGER	WP40					1	1	KB00A578B05		Chg.
104	E17 900 620	G	HEAT EXCHANGER	WP50							KB00A578B06		Chg.
105	E17 319 307	G	THERMISTOR		1	1	1	1	1	1	RG71V202G01		
106	E17 895 642	G	AIR PURGE VALVE		1	1	1	1	1	1	KD41H877H01		
107	E17 895 919	G	TUBE	8 x 10 40C PVC	1	1	1	1	1	1	KD27H879H01		
108	E17 895 690	G	COVER PIPE ASSY 1		1	1	1	1	1	1	KD00H489G01		
109	E17 896 690	G	COVER PIPE ASSY 2		1	1	1	1	1	1	KD00H488G03		Chg.
110	E17 409 690	G	COVER ASSY INS		1	1	1	1	1	1	KB00H222G03		
111	E17 409 355	G	PUMP PLD		1	1	1	1	1	1	KB56B515H02		
112	E17 409 145	G	FLOAT SWITCH		1	1	1	1	1	1	BH68C952H02		
113	E17 409 704	G	SOCKET ASSY		1	1	1	1	1	1	KB00G754G01		
114	KB00M769G02	G	ATTACHMENT PUMP INS		1	1	1	1	1	1	KB00M769G02		
115	DB26F013L01	G	CUSHION		3	3	3	3	3	3	DB26F013L01		
116	E17 548 250	G	SCREW SPECIAL	M4 x 6	3	3	3	3	3	3	Z003Z333H05		
117	E17 319 700	G	DRAIN PAN S ASSY INS		1	1	1	1			KB00G775G19		
118	E17 320 700	G	DRAIN PAN M ASSY INS						1	1	KB00G775G20		
119	E17 326 700	G	DRAIN PAN L ASSY INS								KB00G775G21		
120	E17 414 524	G	PLUG	RUBBER	1	1	1	1	1	1	KB26H049H01		
121	E17 895 717	G	PANEL UNDER 1 S ASSY		1	1	1	1			KB00G776G13		
122	E17 898 717	G	PANEL UNDER 1 M ASSY						1	1	KB00G776G14		
123	E17 900 717	G	PANEL UNDER 1 L ASSY								KB00G776G15		
124	E17 895 718	G	PANEL UNDER 2 S ASSY		1	1	1	1			KJ00C175G01		
125	E17 898 718	G	PANEL UNDER 2 M ASSY						1	1	KJ00C175G02		
126	E17 900 718	G	PANEL UNDER 2 L ASSY								KJ00C175G03		
127	E17 319 250	G	SCREW ADD.WORK DWG		5	5	5	5	6	6	KB12H389G01		
128	E17 319 100	G	FILTER	15	1	1	1	1			KB35B272G02		
129	E17 320 100	G	FILTER	40					1	1	KB35B207G02		
130	E17 326 100	G	FILTER	63							KB35B208G02		
131	E17 319 800	G	PANEL DUCT S INS		1	1	1	1			KB00G751G07		
132	E17 320 800	G	PANEL DUCT M INS						1	1	KB00G751G08		
133	E17 326 800	G	PANEL DUCT L INS								KB00G751G09		
134	E17 580 704	G	SOCKET		1	1	1	1	1	1	BB25D449K01		Chg.
135	E17 H87 620	G	HEAT EXCHANGER	WP10	1						KD00B853B02		Chg.

PEFY-WP10,WP15,WP20VMS1-E.TH EXTERNAL PARTS
PEFY-WP25,WP32VMS1-E.TH
PEFY-WP40,WP50VMS1-E.TH

No.	Part No.	G : RoHS Apply Only W : RoHS Apply by Running Change		Spec.	PEFY-WP10,WP15,WP20VMS1-E.TH						Dwg. No.	Notes for the models	Revision info.
			Part Name										
101	E17 895 620	G	HEAT EXCHANGER	WP15							KB00A580B03		Chg.
102	E17 896 620	G	HEAT EXCHANGER	WP25							KB00A579B03		Chg.
103	E17 898 620	G	HEAT EXCHANGER	WP40							KB00A578B05		Chg.
104	E17 900 620	G	HEAT EXCHANGER	WP50	1						KB00A578B06		Chg.
105	E17 319 307	G	THERMISTOR		1						RG71V202G01		
106	E17 895 642	G	AIR PURGE VALVE		1						KD41H877H01		
107	E17 895 919	G	TUBE	8 x 10 40C PVC	1						KD27H879H01		
108	E17 895 690	G	COVER PIPE ASSY 1		1						KD00H489G01		
109	E17 896 690	G	COVER PIPE ASSY 2		1						KD00H488G03		Chg.
110	E17 409 690	G	COVER ASSY INS		1						KB00H222G03		
111	E17 409 355	G	PUMP PLD		1						KB56B515H02		
112	E17 409 145	G	FLOAT SWITCH		1						BH68C952H02		
113	E17 409 704	G	SOCKET ASSY		1						KB00G754G01		
114	KB00M769G02	G	ATTACHMENT PUMP INS		1						KB00M769G02		
115	DB26F013L01	G	CUSHION		3						DB26F013L01		
116	E17 548 250	G	SCREW SPECIAL	M4 x 6	3						Z003Z333H05		
117	E17 319 700	G	DRAIN PAN S ASSY INS								KB00G775G19		
118	E17 320 700	G	DRAIN PAN M ASSY INS								KB00G775G20		
119	E17 326 700	G	DRAIN PAN L ASSY INS		1						KB00G775G21		
120	E17 414 524	G	PLUG	RUBBER	1						KB26H049H01		
121	E17 895 717	G	PANEL UNDER 1 S ASSY								KB00G776G13		
122	E17 898 717	G	PANEL UNDER 1 M ASSY								KB00G776G14		
123	E17 900 717	G	PANEL UNDER 1 L ASSY		1						KB00G776G15		
124	E17 895 718	G	PANEL UNDER 2 S ASSY								KJ00C175G01		
125	E17 898 718	G	PANEL UNDER 2 M ASSY								KJ00C175G02		
126	E17 900 718	G	PANEL UNDER 2 L ASSY		1						KJ00C175G03		
127	E17 319 250	G	SCREW ADD.WORK DWG		6						KB12H389G01		
128	E17 319 100	G	FILTER	15							KB35B272G02		
129	E17 320 100	G	FILTER	40							KB35B207G02		
130	E17 326 100	G	FILTER	63	2						KB35B208G02		
131	E17 319 800	G	PANEL DUCT S INS								KB00G751G07		
132	E17 320 800	G	PANEL DUCT M INS								KB00G751G08		
133	E17 326 800	G	PANEL DUCT L INS		1						KB00G751G09		
134	E17 580 704	G	SOCKET		1						BB25D449K01		Chg.
135	E17 H87 620	G	HEAT EXCHANGER	WP10							KD00B853B02		Chg.

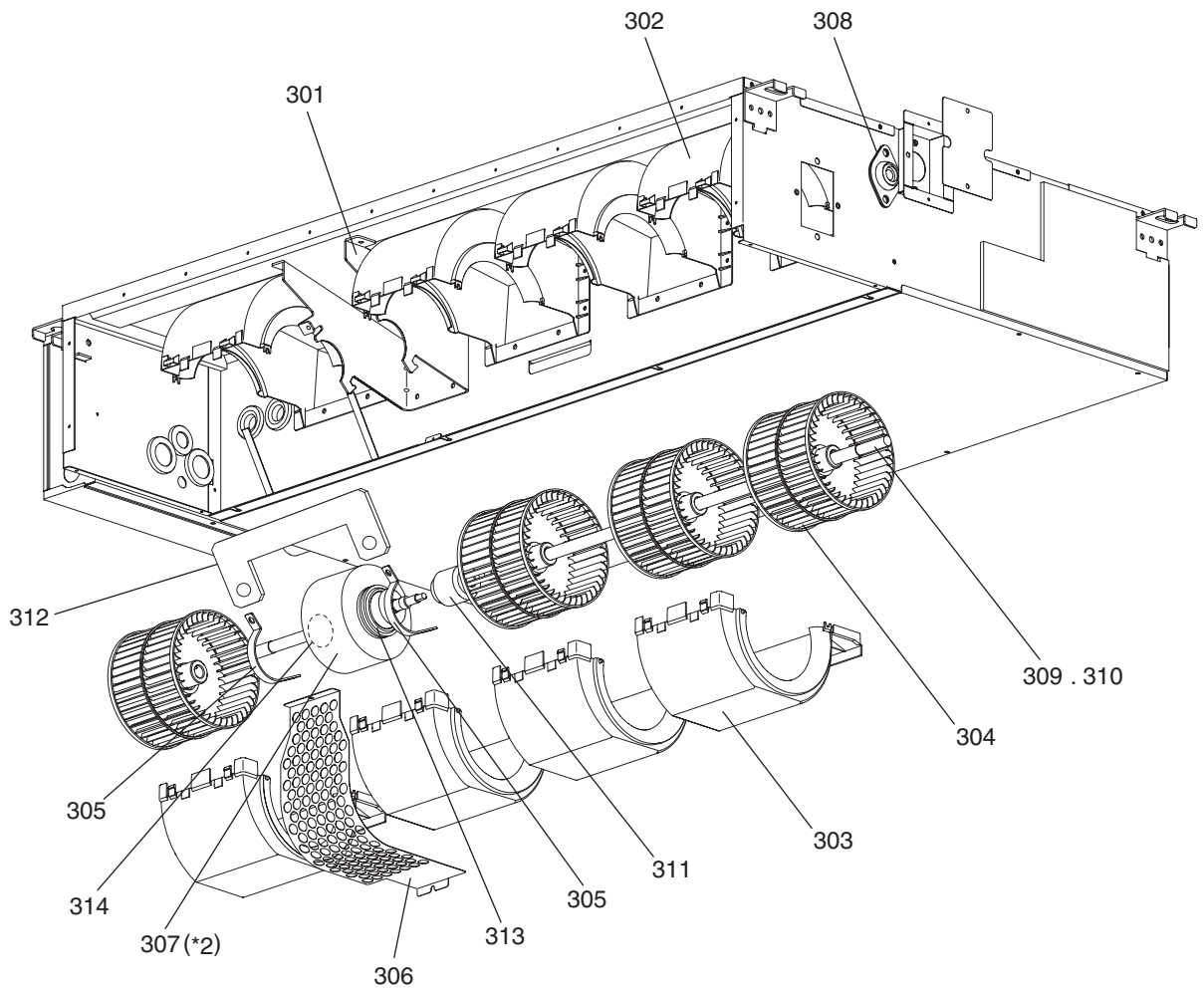


*1 Motor (Parts No.207) comes with rubber mounts.

No.	Part No.	G : RoHS Apply Only W : RoHS Apply by Running Change	Part Name	Spec.					Dwg. No.	Notes for the models	Revision info.
201	E17 319 128	G	MOTOR BASE		1	1	1	1	KB02B464G02		
202	E17 319 129	G	FAN CASE A ASSY		2	2	2	2	KB00G773G03		
203	E17 320 129	G	FAN CASE B ASSY		2	2	2	2	KB00G774G03		
204	E17 319 500	G	SIROCCO FAN ASSY		2	2	2	2	KB00H341G01		
205	KB02H047G02	G	ATTACHMENT		2	2	2	2	KB02H047G02		
206	E17 319 513	G	MOTOR COVER ASSY		1	1	1	1	KB00H600G02		
207	E17 C45 300	G	MOTOR	SIC-70CW-D8114-1E	1	1	1	1	KS00T859G06	*1 Includes rubber mounts	
208	KB02U467G01	G	ATTACHMENT(M-LOCK)		1	1	1	1	KB02U467G01		
209	E17 C45 505	G	RUBBER MOUNT A		1	1	1	1	KJ31H007H01		
210	E17 C46 505	G	RUBBER MOUNT B		1	1	1	1	KJ31H008H01		

PEFY-WP32VMS1-E.TH
PEFY-WP40VMS1-E.TH
PEFY-WP50VMS1-E.TH

BLOWER PARTS (2)

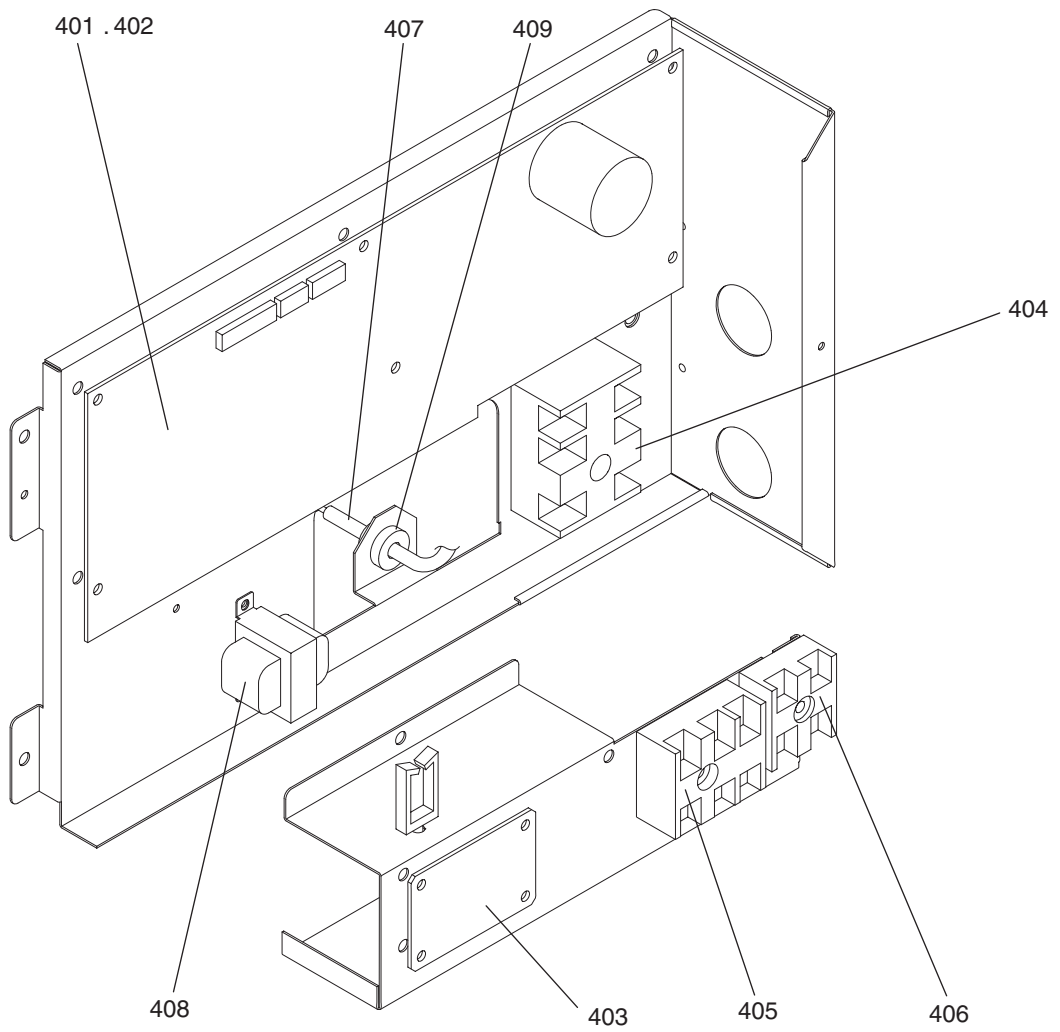


*2 Motor (Parts No.307) comes with rubber mounts.

No.	Part No.	G : RoHS Apply Only W: RoHS Apply by Running Change	Part Name	Spec.	PEFY-WP32VMS1-E.TH	PEFY-WP40VMS1-E.TH	PEFY-WP50VMS1-E.TH				Dwg. No.	Notes for the models	Revision info.
301	E17 319 128	G	MOTOR BASE		1	1	1				KB02B464G02		
302	E17 319 129	G	FAN CASE A ASSY		3	3	4				KB00G773G03		
303	E17 320 129	G	FAN CASE B ASSY		3	3	4				KB00G774G03		
304	E17 319 500	G	SIROCCO FAN ASSY		3	3	4				KB00H341G01		
305	KB02H047G02	G	ATTACHMENT		2	2	2				KB02H047G02		
306	E17 319 513	G	MOTOR COVER ASSY		1	1	1				KB00H600G02		
307	E17 C46 300	G	MOTOR	SIC-70CW-D896-2E	1	1	1				KS00T859G07	*2 Includes rubber mounts	
308	E17 321 509	G	BEARING		1	1	1				KB58C793G01		
309	E17 321 499	G	SHAFT	3FAN	1	1					KB10B485H03		
310	E17 326 499	G	SHAFT	4FAN			1				KB10B486H03		
311	E17 321 518	G	FAN JOINT ASSY		1	1	1				KB00R475G01		
312	KB02U467G01	G	ATTACHMENT(M-LOCK)		1	1	1				KB02U467G01		
313	E17 C45 505	G	RUBBER MOUNT A		1	1	1				KJ31H007H01		
314	E17 C46 505	G	RUBBER MOUNT B		1	1	1				KJ31H008H01		

PEFY-WP10,WP15,WP20VMS1-E.TH
PEFY-WP25,WP32VMS1-E.TH
PEFY-WP40,WP50VMS1-E.TH

CONTROL BOX PARTS



PEFY-WP10,WP15,WP20VMS1-E.TH CONTROL BOX PARTS
PEFY-WP25,WP32VMS1-E.TH
PEFY-WP40,WP50VMS1-E.TH

No.	Part No.	G : RoHS Apply Only W : RoHS Apply by Running Change	Part Name	Spec.	PEFY-WP10VMS1-E.TH	PEFY-WP15VMS1-E.TH	PEFY-WP20VMS1-E.TH	PEFY-WP25VMS1-E.TH	PEFY-WP32VMS1-E.TH	PEFY-WP40VMS1-E.TH	Dwg. No.	Notes for the models	Revision info.
401	E17 895 447	G	PRINTED CIRCUIT ASSEMBLY	INDOOR	1	1	1	1	1	1	KE01D280B13		Chg.
402	E17 H87 447	G	PRINTED CIRCUIT ASSEMBLY	INDOOR	1						KE01D280B18		Add.
403	E17 402 456	G	PRINTED CIRCUIT ASSEMBLY	ADDRESS BOARD	1	1	1	1	1	1	KE01D281B01		
404	E17 155 375	G	TERMINAL BLOCK ASSY		1	1	1	1	1	1	BG00R200G26		
405	E17 154 375	G	TERMINAL BLOCK ASSY		1	1	1	1	1	1	BH00C267G04		
406	E17 156 375	G	TERMINAL BLOCK ASSY		1	1	1	1	1	1	BG00R200G62		
407	E17 319 308	G	THERMISTOR S	250XAP	1	1	1	1	1	1	RG71J628H01		
408	E17 408 337	G	REACTOR	CHM							KE65D276H01		
409	E17 319 013	G	BUSH	SRB-R-2	1	1	1	1	1	1	KB32K138H01		

mitsubishi
MITSUBISHI ELECTRIC CORPORATION

BWE01301C (20170331)