

# SERVICE PARTS LIST FOR MITSUBISHI ELECTRIC PACKAGED AIR-CONDITIONERS

**Series : CMB**

**REVISED**

**Apr. 2016**

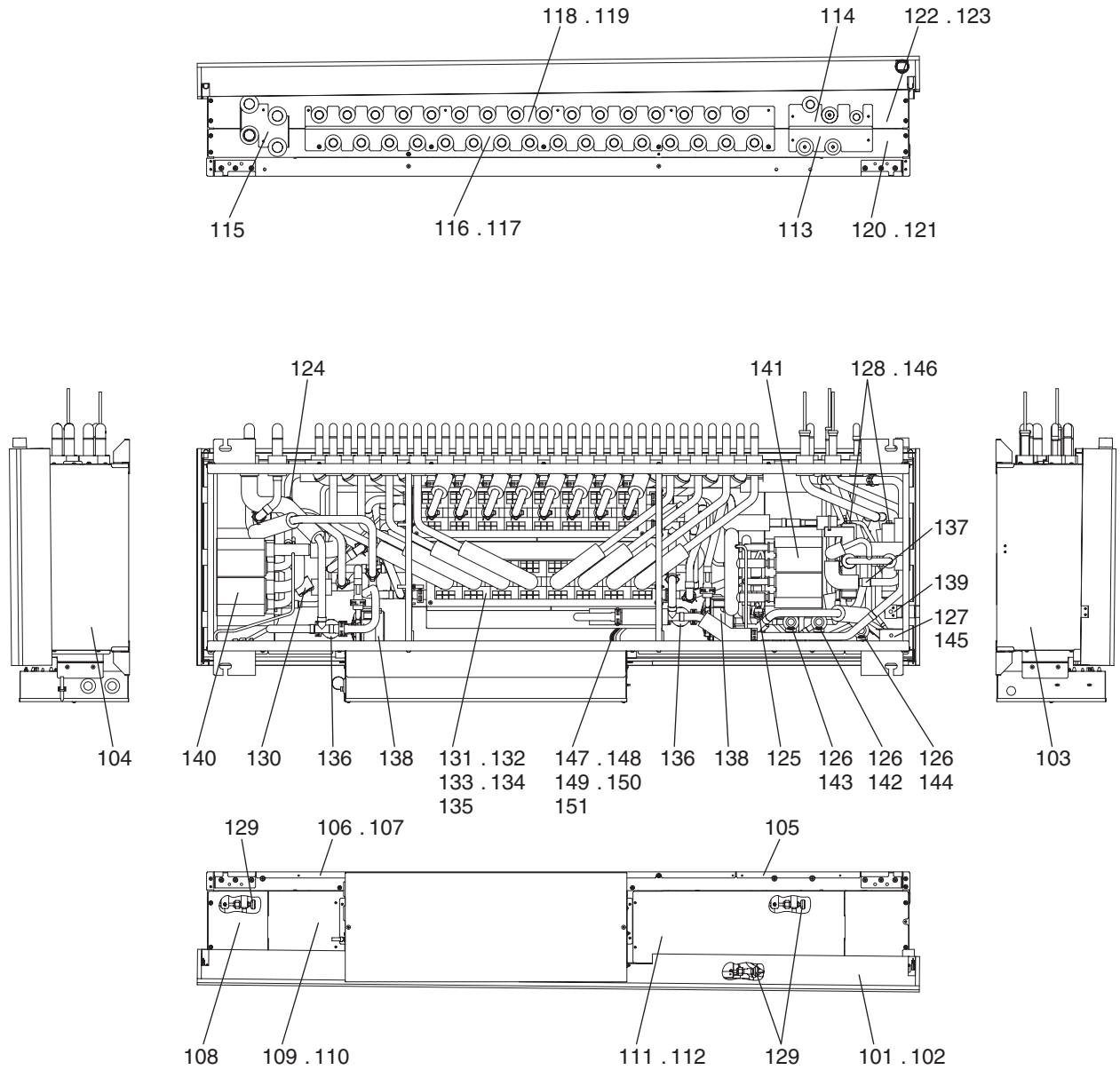
**BWE01514A**

<b>INDEX</b>
<b>CMB-WP108V-GA1</b>
<b>CMB-WP1016V-GA1</b>
<b>CMB-WP108V-GB1</b>
<b>CMB-WP1016V-GB1</b>

Part information update day : **2016/04/05**

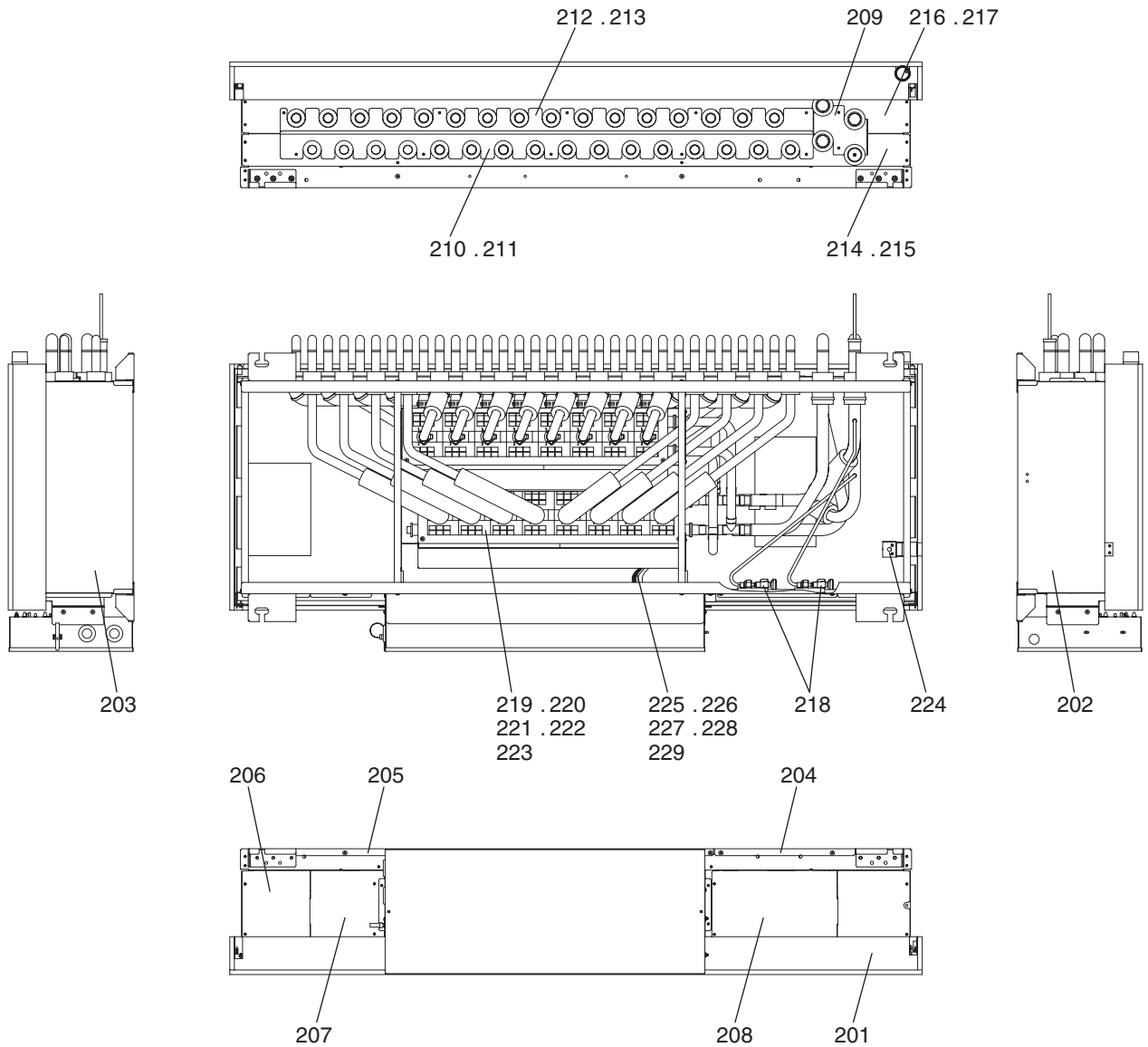


Please change the old catalog (issued June 2015, No.BWE015140) to this new catalog.  
Content of revision : Some of parts are changed.

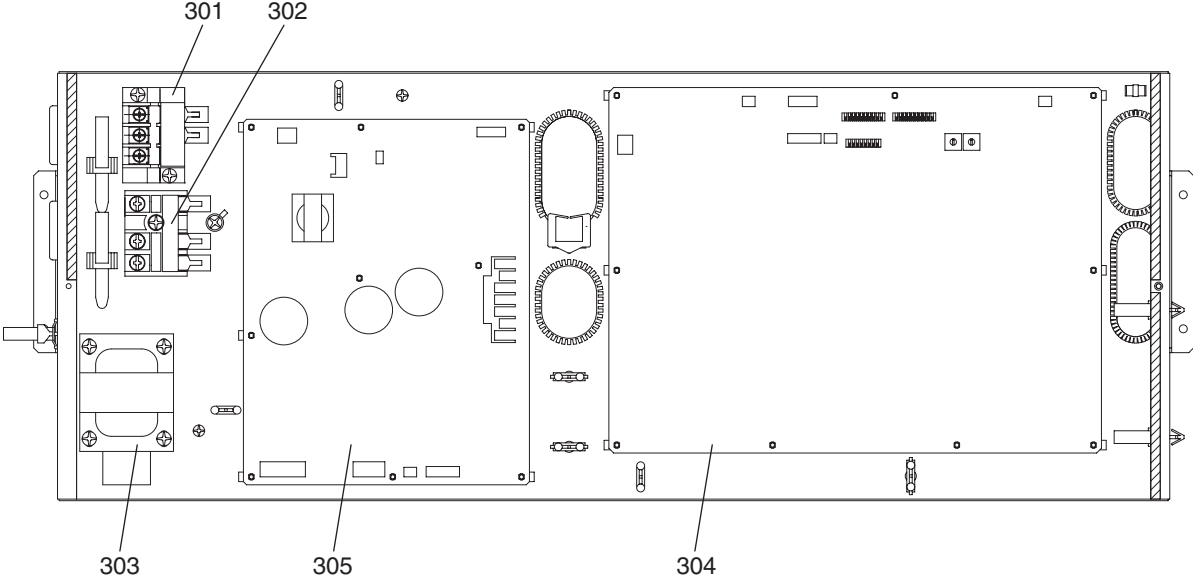


No.	Part No.	G : RoHS Apply Only W : RoHS Apply by Running Change		Spec.	CMB-WP108V-GA1	CMB-WP1016V-GA1					Dwg. No.	Notes for the models	Revision info.
			Part Name										
101	R61 147 529	G	Drain pan			1					KJ00R326G01		
102	R61 148 529	G	Drain pan			1					KJ00R364G01		
103	R61 324 651	G	Panel SL			1	1				KB02V561H02		
104	R61 325 651	G	Panel SR			1	1				KB02V562H02		
105	R61 326 651	G	Panel TL			1	1				KJ02R327H02		
106	R61 327 651	G	Panel TR				1				KB02V901H01		
107	R61 328 651	G	Panel TR			1					KJ02R347H02		
108	R61 178 690	G	Cover BR L			1	1				KJ02T513H01		
109	R61 179 690	G	Cover BR R				1				KJ02T536H01		
110	R61 180 690	G	Cover BR R			1					KJ02T514H01		
111	R61 181 690	G	Cover BL L				1				KJ02T535H01		
112	R61 182 690	G	Cover BL L			1					KJ02T511H01		
113	R61 183 690	G	Cover SL U			1	1				KD02S572H01		
114	R61 184 690	G	Cover SL B			1	1				KD02S571H01		
115	R61 199 690	G	Cover SL			1	1				KJ02F088H01		Chg.
116	R61 186 690	G	Cover MU				1				KJ02R330H01		
117	R61 187 690	G	Cover MU			1					KJ02R349H01		
118	R61 188 690	G	Cover MB				1				KJ02R329H01		
119	R61 189 690	G	Cover MB			1					KJ02R348H01		
120	R61 329 651	G	Panel FU				1				KB02V573H03		Chg.
121	R61 330 651	G	Panel FU			1					KB02V581H03		Chg.
122	R61 332 651	G	Panel FB				1				KB02V572H03		Chg.
123	R61 333 651	G	Panel FB			1					KB02V580H03		Chg.
124	R61 070 288	G	Pressure sensor	HP D272		1	1				KD00U849G01	<PS1>	
125	R61 071 288	G	Pressure sensor	HP D272		1	1				KD00U849G02	<PS3>	
126	R61 036 401	G	Linear expansion valve	PAM-BBOYGMD-1		3	3				P632504X01	<LEV1 ~ 3>	
127	R63 4F3 232	G	Solenoid valve	ATS-B7SMD-2		1	1				P631290X01	<SV>	
128	R61 014 403	G	Four way valve	STF-H0421		2	2				P633131X01	<21S4>	
129	R61 013 410	G	Air purge valve			3	3				KD00U871G02		Chg.
130	R61 014 410	G	Relief valve			1	1				P634030X01		
131	R61 086 232	G	Valve block			8	16				P639194X01		
132	R61 023 326	G	Clip	5pcs		10	13				KD00F663G01		
133	R61 001 574	G	O-ring	10pcs 15.8		10	13				KD00F664G01		
134	R61 003 574	G	O-ring	10pcs 33.2		4	8				KD00F664G02		
135	R61 004 532	G	Nipple	5pcs		10	13				KD00F665G01		
136	R61 011 454	G	Strainer			2	2				P641139X01		
137	R63 Y03 454	G	Strainer			1	1				W893281G01		
138	R61 019 539	G	Pump			2	2				P722134X01		
139	R61 039 541	G	Float switch			1	1				KD00F457G02		
140	R61 A05 480	G	Plate HEX assy H			1	1				KS00C223G01		
141	R61 A06 480	G	Plate HEX assy C			1	1				KS00C224G01		
142	R61 043 243	G	Solenoid coil	PAM-MD12MD-12		1	1				KD00F455G07	<LEV1>	
143	R61 044 243	G	Solenoid coil	PAM-MD12MD-13		1	1				KD00F455G08	<LEV2>	
144	R61 045 243	G	Solenoid coil	PAM-MD12MD-14		1	1				KD00F455G09	<LEV3>	
145	R63 Y18 243	G	Solenoid coil	A20-1B02B-1		1	1				P472012X01	<SV>	





No.	Part No.	G : RoHS Apply Only W : RoHS Apply by Running Change		Spec.	CMB-WP108V-GB1	CMB-WP1016V-GB1					Dwg. No.	Notes for the models	Revision info.
			Part Name										
201	R61 148 529	G	Drain pan		1	1					KJ00R364G01		
202	R61 324 651	G	Panel SL		1	1					KB02V561H02		
203	R61 325 651	G	Panel SR		1	1					KB02V562H02		
204	R61 326 651	G	Panel TL		1	1					KJ02R327H02		
205	R61 328 651	G	Panel TR		1	1					KJ02R347H02		
206	R61 178 690	G	Cover BR L		1	1					KJ02T513H01		
207	R61 180 690	G	Cover BR R		1	1					KJ02T514H01		
208	R61 182 690	G	Cover BL L		1	1					KJ02T511H01		
209	R61 185 690	G	Cover SL		1	1					KD02S619H01		
210	R61 186 690	G	Cover MU			1					KJ02R330H01		
211	R61 187 690	G	Cover MU		1						KJ02R349H01		
212	R61 188 690	G	Cover MB			1					KJ02R329H01		
213	R61 189 690	G	Cover MB		1						KJ02R348H01		
214	R61 334 651	G	Panel FU		1						KB02V623H01		
215	R61 335 651	G	Panel FU			1					KB02V621H01		
216	R61 336 651	G	Panel FB		1						KB02V622H02		
217	R61 337 651	G	Panel FB			1					KB02V620H02		
218	R61 013 410	G	Air purge valve		2	2					KD00U871G02		Chg.
219	R61 086 232	G	Valve block		8	16					P639194X01		
220	R61 023 326	G	Clip	5pcs	5	9					KD00F663G01		
221	R61 001 574	G	O-ring	10pcs 15.8	5	9					KD00F664G01		
222	R61 003 574	G	O-ring	10pcs 33.2	4	8					KD00F664G02		
223	R61 004 532	G	Nipple	5pcs	5	9					KD00F665G01		
224	R61 039 541	G	Float switch		1	1					KD00F457G02		
225	R61 040 287	G	Sensor assy			1					KB00V634G01	<TH31a ~ d,TH31m ~ p>	
226	R61 041 287	G	Sensor assy		1						KB00V657G01	<TH31a ~ d>	
227	R61 044 287	G	Sensor assy		1	1					KJ00T887G01	<TH32,TH33>	
228	R61 045 287	G	Sensor assy			1					KB00V659G01	<TH31e ~ l>	
229	R61 046 287	G	Sensor assy		1						KB00V660G01	<TH31e ~ h>	



**CMB-WP108V,WP1016V-GA1  
 CMB-WP108V,WP1016V-GB1**

**CONTROL BOX PARTS**

No.	Part No.	G : RoHS Apply Only W: RoHS Apply by Running Change		Spec.	CMB-WP108V-GA1	CMB-WP1016V-GA1	CMB-WP108V-GB1	CMB-WP1016V-GB1	Dwg. No.	Notes for the models	Revision info.
			Part Name								
301	<b>R63 Y02 715</b>	G	<b>Terminal block</b>		1	1	1	1	<b>W834188H02</b>		
302	<b>R63 979 247</b>	G	<b>Terminal block</b>		1	1	1	1	<b>P436238X01</b>		
303	<b>R61 030 259</b>	G	<b>Reactor</b>	<b>9.7MH 5A</b>	1	1			<b>P715488X01</b>		
304	<b>R61 373 280</b>	G	<b>Board assy</b>	<b>HBC-MAIN</b>	1	1	1	1	<b>W266227G13</b>		
305	<b>R61 176 280</b>	G	<b>Board assy</b>	<b>HBC-PS</b>	1	1	1	1	<b>W266227G12</b>		



