

PARTS CATALOG

R410A

[Model Name]

PUHZ-W50VHA2

[Service Ref.]

PUHZ-W50VHA2

PUHZ-W50VHA2R1

Revision:

- Some descriptions have been modified in REVISED EDITION-C.

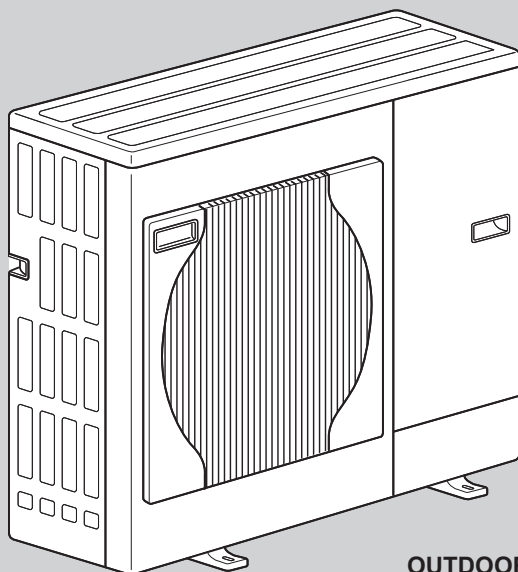
OCB605 REVISED EDITION-B is void.

Salt proof model

PUHZ-W50VHA2-BS

PUHZ-W50VHA2-BS

PUHZ-W50VHA2R1-BS



OUTDOOR UNIT

CONTENTS

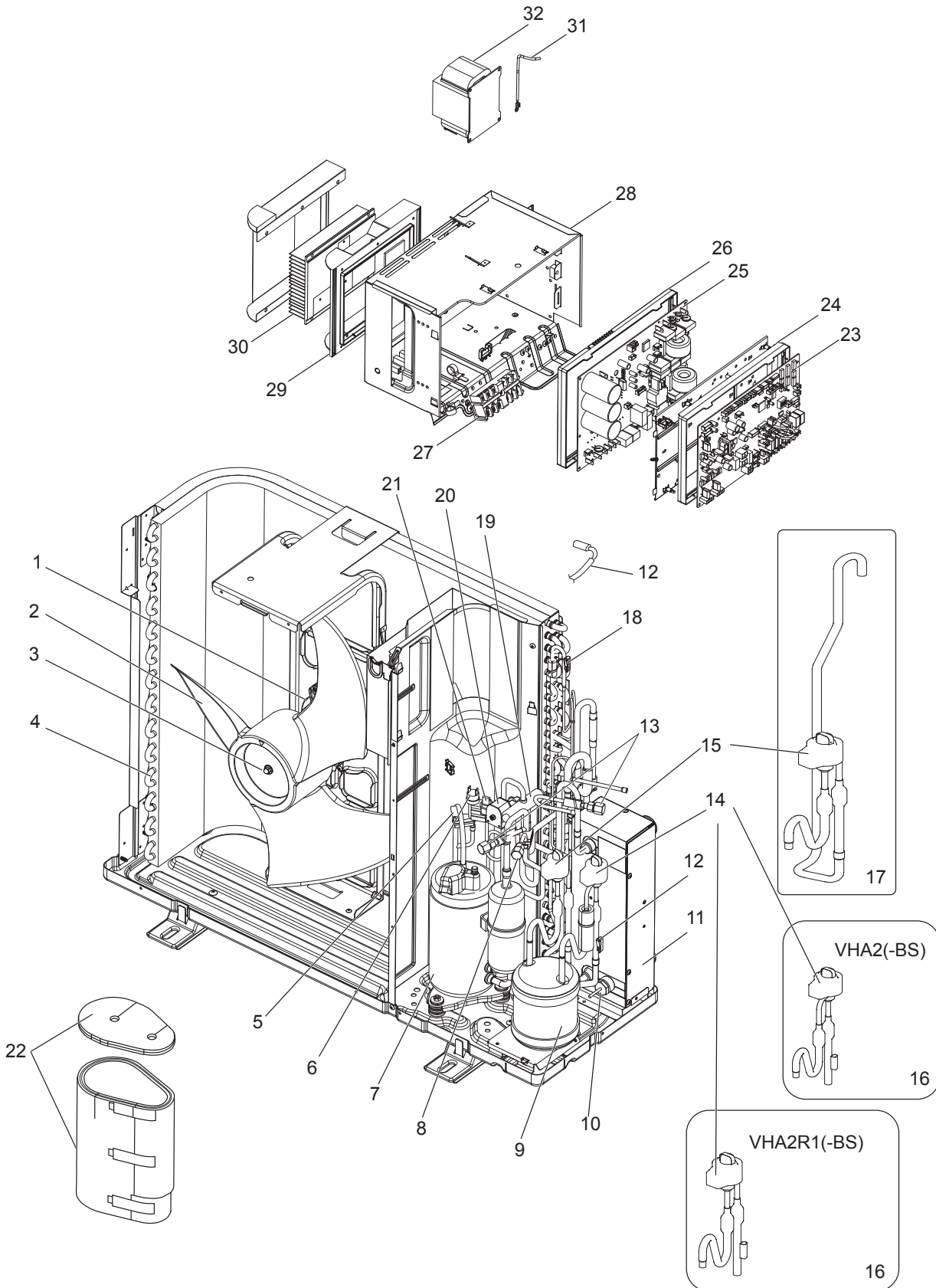
1. SERVICE PARTS LIST 2
2. OPTIONAL PARTS 6

SERVICE MANUAL (OCH605)

1

SERVICE PARTS LIST

FUNCTIONAL AND ELECTRICAL PARTS
PUHZ-W50VHA2 PUHZ-W50VHA2-BS
PUHZ-W50VHA2R1 PUHZ-W50VHA2R1-BS

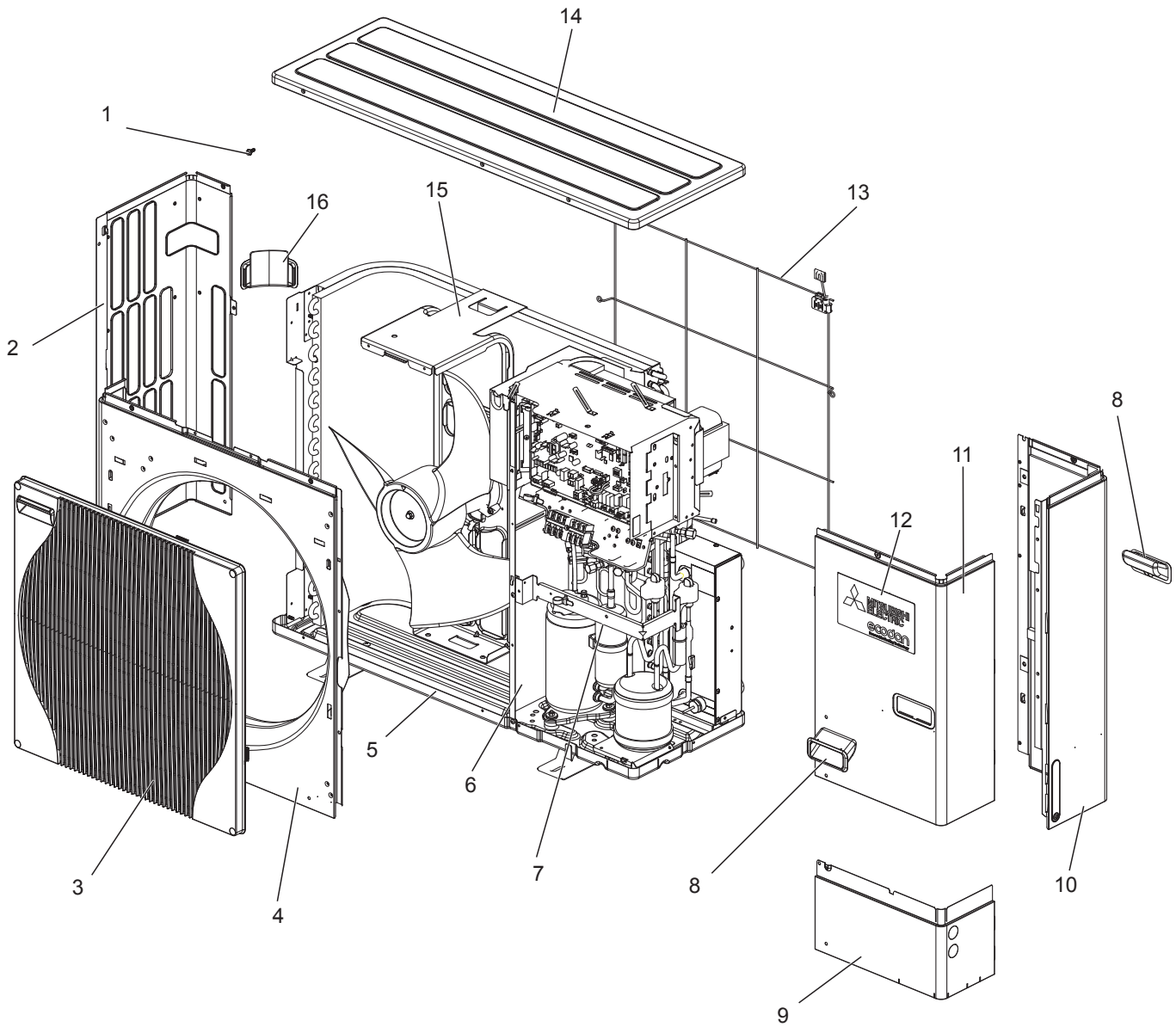




Parts numbers that are circled are not shown in the figure.

No.	Parts No.	Parts Name	Specification	Q'ty/unit				Remarks (Drawing No.)	Wiring Diagram Symbol
				PUHZ-W50VHA2	PUHZ-W50VHA2-BS	PUHZ-W50VHA2R1	PUHZ-W50VHA2R1-BS		
1	R01 E72 221	FAN MOTOR		1	1	1	1		MF1
2	R01 E12 115	PROPELLER FAN		1	1	1	1		
3	R01 E09 097	NUT M6		1	1	1	1		
4	T7W H80 408	HEAT EXCHANGER		1	1	1	1		
5	R01 E42 201	THERMISTOR (DIS)	Discharge	1	1	1	1		TH4
6	R01 H06 208	HIGH PRESSURE SWITCH		1	1	1	1		63H
7	T97 436 607	COMPRESSOR	SNB130FGCMC	1	1	1	1	Includes RUBBER MOUNTS	MC
8	R01 E24 413	CHARGE PLUG/LB90		1	1	1	1		
9	T7W H24 440	RECEIVER		1	1	1	1		
10	R01 H91 202	THERMISTOR (PLATE. HEX)	Inlet Water	1	1	1	1	R1/4	TH32
11	T7W H68 408	PLATE HEAT EXCHANGER	MWA1-28LM	1	1	1	1	R1/4	
12	T7W E75 202	THERMISTOR W	Plate HEX Liquid, Ambient	1	1	1	1		TH6/TH7
13	R01 E18 413	CHARGE PLUG/ST		2	2	2	2		
14	R01 HR3 242	COIL (LEV)/XAP-5P RED	UKV type	1	1	1	1	Connector: Red	LEV-B
15	R01 HR6 242	COIL (LEV)/XAP-5P WH	UKV type	1	1	1	1	Connector: White	LEV-A
16	T7W E73 401	LEV ASSY-B/P.HEX-REC		1	1			Includes COIL & STRAINER	
	T7W H79 401	LEV ASSY-B/P.HEX-REC				1	1	Includes COIL & STRAINER	
17	T7W H72 401	LEV ASSY-A		1	1	1	1	Includes COIL & STRAINER	
18	R01 H87 202	THERMISTOR	Liquid	1	1	1	1		TH3
19	R01 E29 403	4 WAY VALVE		1	1	1	1		21S4
20	T7W E29 242	SOLENOID COIL (21S4)		1	1	1	1		21S4
21	R01 H07 208	HIGH PRESSURE SENSOR		1	1	1	1		63HS
22	T7W A04 602	COMP FELT SET		1	1	1	1		
23	T7W GV0 315	CONTROLLER BOARD		1	1	1	1		C.B.
24	—	CONT. BOARD CASE		1	1	1	1	(BK25J874G02)	
25	T7W AP0 323	POWER BOARD		1	1	1	1		P.B.
26	—	POWER BOARD CASE		1	1	1	1	(BK25N761G01)	
27	T7W E61 716	T.B./LNE.S1.S2.S3	6P(L, N, ⊕, S1, S2, S3)	1	1	1	1		TB1
28	—	ELECTRICAL PARTS BOX		1	1	1	1	(BK00V011G06)	
29	—	HEAT SINK CASE		1	1	1	1	(BK00T163G04)	
30	R01 A19 371	HEAT SINK		1	1	1	1	Includes SCREWS	
31	R01 N16 202	THERMISTOR (HS)	Heat Sink	1	1	1	1		TH8
32	T7W E26 259	REACTOR		1	1	1	1		ACL
33	T7W A02 510	LEAD ASSY COMP		1	1	1	1		
34	R01 E14 239	FUSE 6.3 A 250 V	6.3 A, 250 V	2	2	2	2		F 3, 4
35	R01 E21 239	FUSE 10 A 250 V	10 A, 250 V	2	2	2	2		F 1, 2
36	T7W E22 201	THERMISTOR (SHELL)	Comp. Surface	1	1	1	1		TH34

STRUCTURAL PARTS
PUHZ-W50VHA2 PUHZ-W50VHA2-BS
PUHZ-W50VHA2R1 PUHZ-W50VHA2R1-BS



No.	Parts No.	Parts Name	Q'ty/unit				Remarks (Drawing No.)
			PUHZ-W50VHA2	PUHZ-W50VHA2-BS	PUHZ-W50VHA2R1	PUHZ-W50VHA2R1-BS	
1	—	F.ST SCREW (5 × 12)	31	31	31	31	(BT12L041H12)
2	R 0 1 E 3 5 6 6 2	SIDE PANEL (L)	1	1	1	1	
3	R 0 1 E 3 3 6 9 1	GRILLE	1	1	1	1	
4	R 0 1 E 2 4 6 6 8	FRONT PANEL	1	1	1	1	
5	T 7 W E 2 0 6 8 6	BASE	1	1	1	1	
6	—	SEPARATOR	1	1	1	1	(RK00C170G14)
7	—	VALVE BED	1	1	1	1	(BK00G125G13)
8	R 0 1 E 0 1 6 5 5	HANDLE	2	2	2	2	
9	T 7 W E 0 8 6 5 8	COVER PANEL (FRONT)	1	1	1	1	
10	T 7 W E 4 0 6 6 1	SIDE PANEL (R)	1	1	1	1	
11	T 7 W E 1 7 6 6 7	SERVICE PANEL	1	1	1	1	
12	T 7 W A 0 3 0 0 5	BRAND LABEL (ECODAN)	1	1	1	1	
13	R 0 1 E 0 9 6 9 8	REAR GUARD	1	1	1	1	
14	R 0 1 E 2 9 6 4 1	TOP PANEL	1	1	1	1	
15	R 0 1 E 6 4 1 3 0	MOTOR SUPPORT	1	1	1	1	
16	R 0 1 E 0 2 6 5 5	HANDLE	1	1	1	1	

Parts name	Parts No.
AIR OUTLET GUIDE	PAC-SG59SG-E
AIR PROTECTION GUIDE	PAC-SH63AG-E
DRAIN SOCKET	PAC-SG61DS-E
DRAIN PAN	PAC-SG64DP-E
CONNECTOR FOR DRAIN HOSE HEATER	PAC-SE60RA-E

mitsubishi electric corporation

HEAD OFFICE: TOKYO BUILDING, 2-7-3, MARUNOUCHI, CHIYODA-KU, TOKYO 100-8310, JAPAN

©Copyright 2015 MITSUBISHI ELECTRIC CORPORATION
Issued in Mar. 2019 No. OCB605 REVISED EDITION-C
Issued in Sep. 2016 No. OCB605 REVISED EDITION-B
Issued in Nov. 2015 No. OCB605 REVISED EDITION-A
Published in Jul. 2015 No. OCB605
Made in Japan

Specifications are subject to change without notice.