

PARTS CATALOG

[Model Name]	[Service Ref.]
PAC-IF061B-E	PAC-IF061B-E
	PAC-IF061B-ER1
	PAC-IF061B-ER2
PAC-IF062B-E	PAC-IF062B-E
	PAC-IF062B-ER1
	PAC-IF062B-ER2
PAC-IF063B-E	PAC-IF063B-E
	PAC-IF063B-ER2

Revision:

- Added PAC-IF061B-ER2, PAC-IF062B-ER2 and PAC-IF063B-ER2 in REVISED EDITION-B.
- Some descriptions have been modified.

OCB572 REVISED EDITION-A is void.

Note:

- RoHS compliant products have <G> mark on the spec name plate.

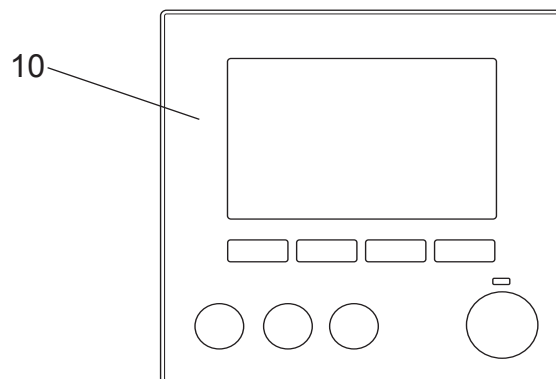
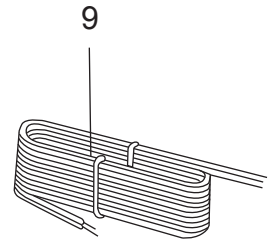
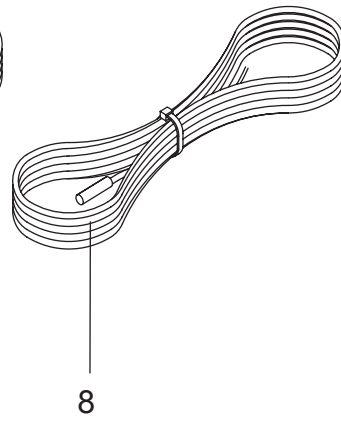
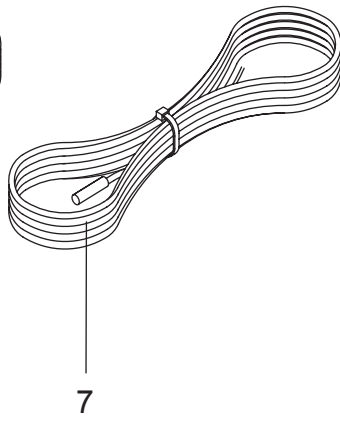
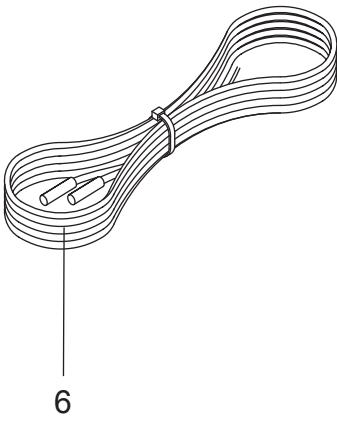
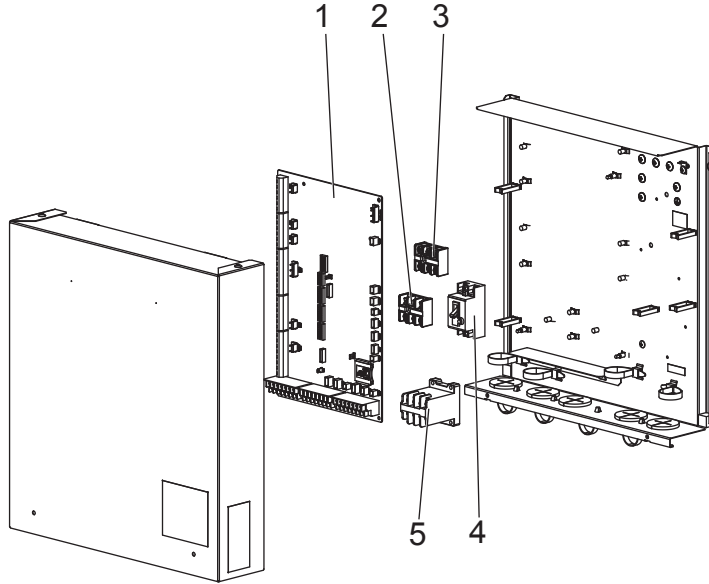
CONTENTS

1. RoHS PARTS LIST	2
2. OPTIONAL PARTS	4

PAC-IF061B-E
PAC-IF061B-ER1
PAC-IF061B-ER2

PAC-IF062B-E
PAC-IF062B-ER1
PAC-IF062B-ER2

PAC-IF063B-E
PAC-IF063B-ER2



RoHS PARTS LIST

No	RoHS	Parts No.	Parts Name	Specification	Q'ty/unit								Remarks	Wiring diagram symbol	
					PAC-IF061B-E	PAC-IF061B-ER1	PAC-IF061B-ER2	PAC-IF062B-E	PAC-IF062B-ER1	PAC-IF062B-ER2	PAC-IF063B-E	PAC-IF063B-ER2			
1	G	S70 C60 315	ATW CONTROLLER		1			1							
	G	S70 C70 315	ATW CONTROLLER			1			1		1				
	G	S70 C21 315	ATW CONTROLLER				1			1		1			
2	G	S70 E08 716	TERMINAL BED	3P	1	1	1	1	1	1	1	1	1	(S1/S2/S3)	
3	G	S70 C10 716	TERMINAL BED	3P	1	1	1	1	1	1	1	1	1	(#250LNE)	
4	G	S70 C20 239	EARTH LEAKAGE BREAKER	1ø 20A				1	1	1	1	1	1		
5	G	S70 C39 708	CONTACTOR					1	1	1	1	1	1		
6	G	S70 C90 202	THERMISTOR (Flow water temp & return water temp)	5 m/5 m	1	1	1	1	1	1					THW1/2
	G	S70 C65 202	THERMISTOR (Flow water temp & return water temp)	1.1 m/1.2 m								1	1		THW1/2
7	G	S70 C11 202	THERMISTOR (Liquid refrigerant temp)	5 m	1	1	1								TH2
8	G	S70 C15 202	THERMISTOR (Tank water temp)	1.8 m								1	1		THW5
9	G	S70 030 305	MAIN REMOTE CONTROLLER CABLE	10 m	1	1	1	1	1	1	1	1	1	FOR MAIN REMOTE CONTROLLER	
10	G	S70 C95 200	MAIN REMOTE CONTROLLER ASSY		1	1	1	1	1	1	1	1	1		

2**OPTIONAL PARTS****2-1. WIRELESS REMOTE CONTROLLER**

Part No.	PAR-WT50R-E
----------	-------------

2-2. WIRELESS RECEIVER

Part No.	PAR-WR51R-E
----------	-------------

2-3. REMOTE SENSOR

Part No.	PAC-SE41TS-E
----------	--------------

mitsubishi electric corporation

HEAD OFFICE: TOKYO BUILDING, 2-7-3, MARUNOUCHI, CHIYODA-KU, TOKYO 100-8310, JAPAN