

PARTS CATALOG

Series PKA

Wall Mounted

R32/R410A

Indoor unit
[Model Name]

PKA-M60KA

PKA-M71KA

PKA-M100KA

PKA-M60KAL

PKA-M71KAL

PKA-M100KAL

[Service Ref.]

PKA-M60KA.TH

PKA-M71KA.TH

PKA-M100KA.TH

PKA-M60KAL.TH

PKA-M71KAL.TH

PKA-M100KAL.TH

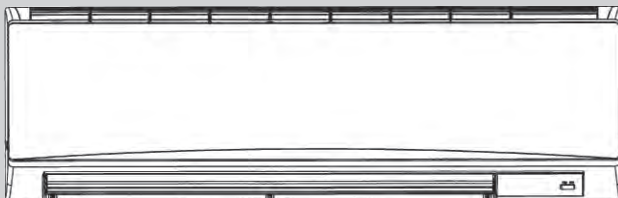
Note:

- RoHS compliant products have <G> mark on the spec name plate.

CONTENTS

1. RoHS PARTS LIST2

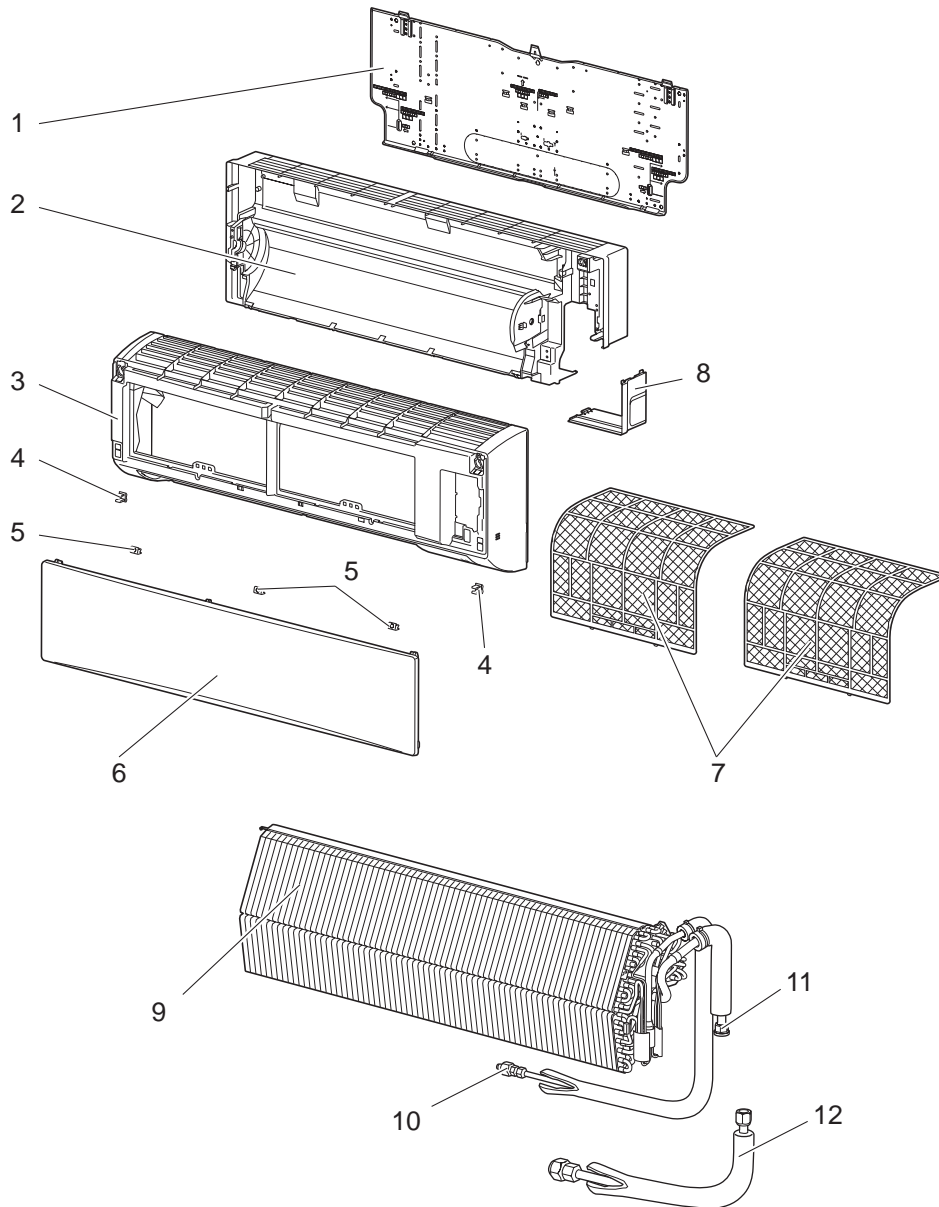
SERVICE MANUAL (OCH661)



INDOOR UNIT

Mr. SLIM

PANEL AND HEAT EXCHANGER PARTS

PKA-M60KA.TH
PKA-M60KAL.THPKA-M71KA.TH
PKA-M71KAL.THPKA-M100KA.TH
PKA-M100KAL.TH

RoHS PARTS LIST

No.	RoHS	Parts No.	Parts Name	Specification	Q'ty/unit						Remarks (Drawing No.)
					PKA-M60KA.TH	PKA-M71KA.TH	PKA-M100KA.TH	PKA-M60KAL.TH	PKA-M71KAL.TH	PKA-M100KAL.TH	
1	G	E12 C92 970	INSTALLATION PLATE		1	1	1	1	1	1	
2	G	E12 C92 234	BOX ASSEMBLY		1	1	1	1	1	1	
3	G	E17 A51 000	PANEL ASSEMBLY		1	1	1	1	1	1	
4	G	E12 408 142	CATCH		1	1	1	1	1	1	2PCS/SET
	G	E12 C92 142	CATCH		1	1	1	1	1	1	2PCS/SET
5	G	E12 C92 067	SCREW CAP		3	3	3	3	3	3	3PCS/SET
6	G	E17 B04 010	FRONT PANEL (NW)		1	1	1	1	1	1	
7	G	E12 C92 100	CATECHIN AIR FILTER		2	2	2	2	2	2	1PCS/SET
8	G	E12 C92 975	CORNER BOX R		1	1	1	1	1	1	
9	G	E17 520 620	HEAT EXCHANGER		1	1		1	1		
	G	E17 522 620	HEAT EXCHANGER				1			1	
10	G	E12 527 667	UNION (LIQ)		1	1	1	1	1	1	
11	G	E12 C92 666	UNION (GAS)		1	1	1	1	1	1	
12	G	E17 H49 980	JOINT ASSEMBLY		1	1	1	1	1	1	

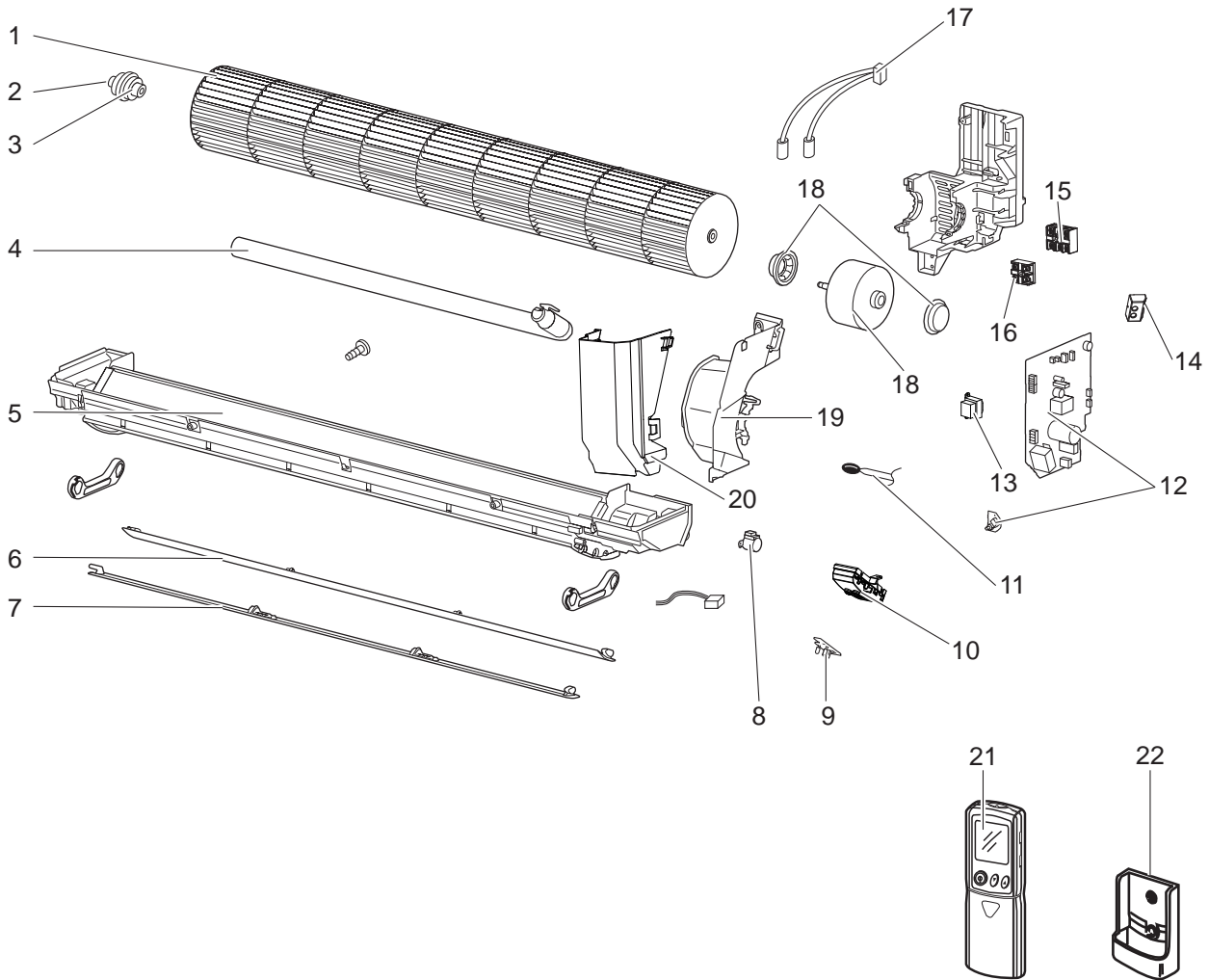
RoHS PARTS LIST

FUNCTIONAL PARTS

PKA-M60KA.TH
PKA-M60KAL.TH

PKA-M71KA.TH
PKA-M71KAL.TH

PKA-M100KA.TH
PKA-M100KAL.TH



RoHS PARTS LIST

Parts numbers that are circled are not shown in the illustration.

No.	RoHS	Parts No.	Parts Name	Specification	Q'ty/unit						Remarks (Drawing No.)
					PKA-M60KA.TH	PKA-M71KA.TH	PKA-M100KA.TH	PKA-M60KAL.TH	PKA-M71KAL.TH	PKA-M100KAL.TH	
1	G	E12 R79 302	LINE FLOW FAN		1	1	1	1	1	1	
2	G	E12 751 509	BEARING MOUNT		1	1	1	1	1	1	
3	G	E12 001 504	SLEEVE BEARING		1	1	1	1	1	1	
4	G	E12 T20 702	DRAIN HOSE		1	1	1	1	1	1	
5	G	E17 518 235	NOZZLE ASSEMBLY		1	1	1	1	1	1	
6	G	E12 C92 040	VANE UPPER		1	1	1	1	1	1	
7	G	E12 C92 041	VANE LOWER		1	1	1	1	1	1	
8	G	E12 749 303	VANE MOTOR		1	1	1	1	1	1	M
9	G	E17 518 468	RECEIVER P.C.BOARD		1	1	1	1	1	1	W.B.
10	G	E12 C92 095	RECEIVER HOLDER		1	1	1	1	1	1	
11	G	E17 518 308	ROOM TEMP. THERMISTOR		1	1	1	1	1	1	TH1
12	G	E17 H49 447	INDOOR CONTROLLER BOARD		1	1	1	1	1	1	I.B.
13	G	E17 489 337	REACTOR		1	1	1	1	1	1	DCL
14	G	E17 518 782	SWITCH HOLDER		1	1	1	1	1	1	
15	G	E17 489 375	TERMINAL BLOCK	3P (S1,S2,S3)	1	1	1	1	1	1	TB4
16	G	E17 516 375	TERMINAL BLOCK	2P (1,2)	1	1	1				TB5
17	G	E17 491 307	PIPE TEMP. THERMISTOR/LIQUID COND./EVA. TEMP THERMISTOR		1	1	1	1	1	1	TH2,TH5
18	G	E12 C92 300	FAN MOTOR		1	1	1	1	1	1	MS
19	G	E12 C92 333	MOTOR BAND		1	1	1	1	1	1	
20	G	E17 518 541	WATER COVER		1	1	1	1	1	1	
21	G	E17 A51 426	WIRELESS REMOTE CONTROLLER		1	1	1	1	1	1	
22	G	E17 489 083	REMOTE CONTROLLER HOLDER					1	1	1	
23	G	E12 784 382	FUSE	ET3.15AL 250VAC	1	1	1	1	1	1	FUSE

Mr. SLIM

mitsubishi electric corporation

HEAD OFFICE : TOKYO BUILDING, 2-7-3, MARUNOUCHI, CHIYODA-KU, TOKYO 100-8310, JAPAN