

Air Conditioning

Product Information

HP-DXE R410A
Power Inverter Heat Pump
Air Curtain System

Making a
World of
Difference

Mr.SUM.



In collaboration with Thermoscreens®, Mitsubishi Electric has developed a new range of air curtains that can be connected to our Power Inverter heat pumps, as opposed to the more traditional direct electric method associated with air curtains.

Key Features

- Reduced CO₂ emissions and run costs (up to 67%)
- 2.5 year payback period against equivalent electric systems
- Allows open door policy in retail outlets whilst being energy efficient
- Clean environment - protection from dust, fumes etc.
- New centrifugal fan
- Weather compensation option for further energy efficiency



thermoscreens®



Cooling | Heating | Ventilation | Controls

Air Conditioning

Product Information

HP-DXE R410A Power Inverter Heat Pump Air Curtain System

Making a
World of
Difference



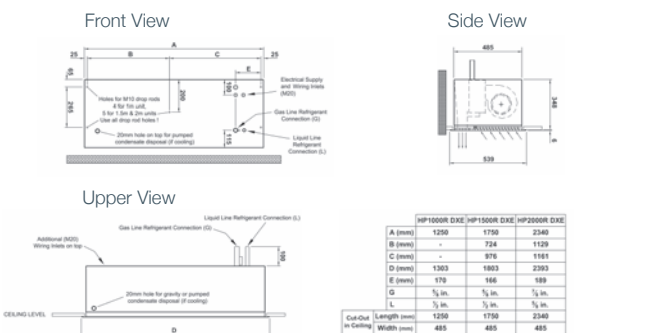
HP DXE - RECESSED		HP1000R DXE	HP1500R DXE	HP1500R DXE	HP2000R DXE	HP2000R DXE	HP2000R DXE
CAPACITY (kW)	Heating (nominal)	8.3	13.8	13.8	15.9	15.9	21.0
	Cooling (nominal)	7.4	12.3	12.3	14.2	14.2	18.7
AIRFLOW MAX (l/s)		364	575	575	720	720	720
SOUND PRESSURE LEVEL AT 3m (dBA) Lo-Mi-Hi		50-55-58	49-54-58	49-54-58	50-55-58	50-55-58	50-55-58
WEIGHT (kg)		52	75	75	93	93	93
DIMENSIONS (mm)	Width x Depth x Height	1250 x 348 x 539	1750 x 348 x 539	1750 x 348 x 539	2340 x 348 x 539	2340 x 348 x 539	2340 x 348 x 539
ELECTRICAL SUPPLY*1		220-240V, 50Hz	220-240V, 50Hz	220-240V, 50Hz	220-240V, 50Hz	220-240V, 50Hz	220-240V, 50Hz
PHASE*1		Single	Single	Single	Single	Single	Single
RUNNING CURRENT (A)*1		0.8	1.2	1.2	1.4	1.4	1.4
MAINS CABLE No. Cores*1		3	3	3	3	3	3
UNIFORMITY AT OUTLET (%)**2		90	92	92	90	90	90
MAX MOUNTING HEIGHT (m)		3.3	3.3	3.3	3.3	3.3	3.3

HP DXE - FREE STANDING		HP1000 DXE	HP1500 DXE	HP1500 DXE	HP2000 DXE	HP2000 DXE	HP2000 DXE
CAPACITY (kW)	Heating (nominal)	8.3	13.2	13.2	15.7	15.7	21.0
	Cooling (nominal)	7.4	11.8	11.8	14.0	14.0	18.7
AIRFLOW MAX (l/s)		364	575	575	720	720	720
SOUND PRESSURE LEVEL AT 3m (dBA) Lo-Mi-Hi		50-55-58	49-54-58	49-54-58	50-55-58	50-55-58	50-55-58
WEIGHT (kg)		46	67	67	84	84	93
DIMENSIONS (mm)	Width x Depth x Height	1300 x 468 x 306	1825 x 468 x 306	1825 x 468 x 306	2350 x 468 x 306	2350 x 468 x 306	2350 x 468 x 306
ELECTRICAL SUPPLY*1		220-240V, 50Hz	220-240V, 50Hz	220-240V, 50Hz	220-240V, 50Hz	220-240V, 50Hz	220-240V, 50Hz
PHASE*1		Single	Single	Single	Single	Single	Single
RUNNING CURRENT (A)*1		0.8	1.2	1.2	1.4	1.4	1.4
MAINS CABLE No. Cores*1		3	3	3	3	3	3
UNIFORMITY AT OUTLET (%)**2		90	92	92	90	90	90
MAX MOUNTING HEIGHT (m)		3.3	3.3	3.3	3.3	3.3	3.3

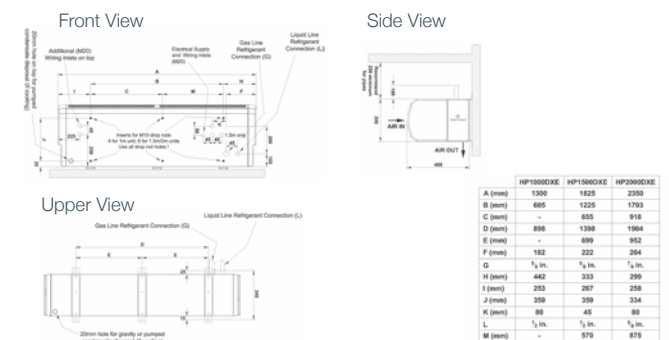
HEAT PUMP OUTDOOR UNITS		PUHZ-ZRP71VHA2	PUHZ-ZRP125VKA3	PUHZ-ZRP125YKA3 ^③	PUHZ-ZRP140VKA3	PUHZ-ZRP140YKA3 ^③	PUHZ-ZRP200YKA2 ^③
SOUND PRESSURE LEVEL (dBA)	Heating/Cooling	48 / 47	52 / 50	52 / 50	52 / 50	52 / 50	62 / 59
	Cooling	67	70	70	70	70	-
SOUND POWER LEVEL (dBA)		70	116	125	118	131	135
WEIGHT (kg)		70	116	125	118	131	135
DIMENSIONS (mm)	Width x Depth x Height	950 x 330 x 943	1050 x 330 x 1338	1050 x 330 x 1338	1050 x 330 x 1338	1050 x 330 x 1338	1050 x 330 x 1338
ELECTRICAL SUPPLY		220-240V, 50Hz	220-240V, 50Hz	380-415V, 50Hz	220-240V, 50Hz	380-415V, 50Hz	380-415V, 50Hz
PHASE		Single	Single	Three	Single	Three	Three
STARTING CURRENT (A)		5	5	5	5	5	5
FUSE RATING (BS88) - HRC (A)		25	32	16	40	16	20
INTERCONNECTING CABLE		2 Core	2 Core	2 Core	2 Core	2 Core	2 Core
MAX PIPE LENGTH (m)		50	75	75	75	75	100
MAX HEIGHT DIFFERENCE (m)		30	30	30	30	30	30
CHARGE REFRIGERANT (kg) / CO ₂ EQUIVALENT (t)		3.50 / 7.31	5.00 / 10.44	5.00 / 10.44	5.00 / 10.44	5.00 / 10.44	7.10 / 14.82
R410A (GWP 2088) - 30m							
MAX ADDITIONAL REFRIGERANT (kg) / CO ₂ EQUIVALENT (t)		1.20 / 2.51	2.40 / 5.01	2.40 / 5.01	2.40 / 5.01	2.40 / 5.01	3.60 / 7.52 (up to 75m ^④)
R410A (GWP 2088)							

③ Three Phase Notes: *1 For indoor units with electric heaters enabled, 380-415V 3ph power supply (7.3A HP1000, 12.1A HP1500, 14.4A HP2000). *2 Tested to ISO 27327. *3 For 75-100m please consult the Service Handbook.

PRODUCT DIMENSIONS HP1000/1500/2000R DXE



PRODUCT DIMENSIONS HP1000/1500/2000 DXE



Telephone: 01707 282880
email: air.conditioning@meuk.mee.com
web: airconditioning.mitsubishielectric.co.uk

UNITED KINGDOM Mitsubishi Electric Europe Living Environment Systems Division
Travellers Lane, Hatfield, Hertfordshire, AL10 8XB, England General Enquiries Telephone: 01707 282880 Fax: 01707 278881

IRELAND Mitsubishi Electric Europe Westgate Business Park, Ballymount, Dublin 24, Ireland
Telephone: Dublin (01) 419 8800 Fax: Dublin (01) 419 8890 International code: (003531)

Country of origin: United Kingdom - Japan - Thailand - Malaysia. ©Mitsubishi Electric Europe 2017. Mitsubishi and Mitsubishi Electric are trademarks of Mitsubishi Electric Europe B.V. The company reserves the right to make any variation in technical specification to the equipment described, or to withdraw or replace products without prior notification or public announcement. Mitsubishi Electric is constantly developing and improving its products. All descriptions, illustrations, drawings and specifications in this publication present only general particulars and shall not form part of any contract. All goods are supplied subject to the Company's General Conditions of Sale, a copy of which is available on request. Third-party product and brand names may be trademarks or registered trademarks of their respective owners.

Note: The fuse rating is for guidance only. Please refer to the relevant databook for detailed specification. It is the responsibility of a qualified electrician/electrical engineer to select the correct cable size and fuse rating based on current regulation and site specific conditions. Mitsubishi Electric's air conditioning equipment and heat pump systems contain a fluorinated greenhouse gas, R410A (GWP:2088), R32 (GWP:675), R407C (GWP:1774) or R134a (GWP:1430). *These GWP values are based on Regulation (EU) No 517/2014 from IPCC 4th edition. In case of Regulation (EU) No.626/2011 from IPCC 3rd edition, these are as follows: R410A (GWP:1975), R32 (GWP: 650), R407C (GWP:1650) or R134a (GWP:1300).



www.greengateway.mitsubishielectric.co.uk

Mitsubishi Electric UK's commitment to the environment

Follow us @meuk_Jes
Follow us @green_gateway

Mitsubishi Electric
Living Environment Systems UK

YouTube
mitsubishielectric2

BLOG thehub.mitsubishielectric.co.uk

Effective as of September 2017