



**Air-conditioner Network System Optional Parts  
Electric Box for AG-150A  
PAC-YG83UTB  
Installation Manual**

Applicable Model	Centralized Controller <b>AG-150A</b>
------------------	--

## 1 Safety Precautions

- Before installing the Electric Box, please read the following safety precautions carefully to ensure proper installation.
- Observe the following precautions to ensure safety.
- The following symbols are used in this manual to indicate the type and severity of potential consequences that may result when given instructions are not followed exactly as stated.

<b>WARNING</b>	Indicates a risk of death or serious injury.
<b>CAUTION</b>	Indicates a risk of injury or damage to the product.

- After the completion of installation, perform a test run to confirm proper operation.
- Retain this manual for future reference. When the unit is reinstalled or repaired, make this manual available to those who provide these services. Make sure that the manual is passed on to any future air condition system users.

### **WARNING**

**Only a dealer or qualified technician should replace the unit.**  
Improper replacement by an unqualified person may result in electric shock or fire.

**The Electric Box should be installed on a surface that is strong enough to support the weight of the unit.**  
If the Electric Box is installed on a surface that lacks the strength to support it, it may fall and cause injury.

**Do not attempt to modify or repair the Electric Box.**  
Modification or improper repair may result in electric shock or fire. Consult your dealer when repairs are necessary.

**Install the Electric Box properly according to the instructions detailed in this Installation Manual.**  
Improper installation by an unqualified person may result in electric shock or fire.

**Electric work must be performed by authorized personnel according to the local regulations and the instructions detailed in the Installation Manual.**  
Inadequate circuit capacity or improper installation may result in electric shock or fire.

**Ask your dealer or an authorized technician to move the Electric Box.**  
Improper installation by an unqualified person may result in electric shock or fire. Consult your dealer or a qualified technician.

### **CAUTION**

**Do not install the Electric Box where there is a risk of leaking flammable gas.**  
If the leaked gas accumulates around the Electric Box, it may ignite and cause an explosion.

**Do not use the Electric Box in an environment that has high concentrations of oil, steam, or sulfuric gas.**  
These substances may have adverse effects on the performance of the Electric Box or damage its parts.

**Seal the wire access holes with putty to prevent dew, water, and insects from entering to avoid electric shock.**

**Do not install this Electric Box in a place that has the potential for steam, such as a bathroom or kitchen.**  
Steam may cause an electric shock or a unit malfunction.

**Do not install this Electric Box where an acid, alkaline solution, or special chemical spray is used frequently to avoid electric shock or malfunction.**

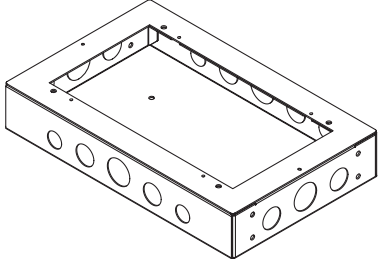

**Keep the cables from coming in direct contact with the edges of the wire access holes.**  
If the cables are damaged, they may cause electric shock or fire.

**This Electric Box is for exclusive use with the AG-150A and cannot be used with other devices.**

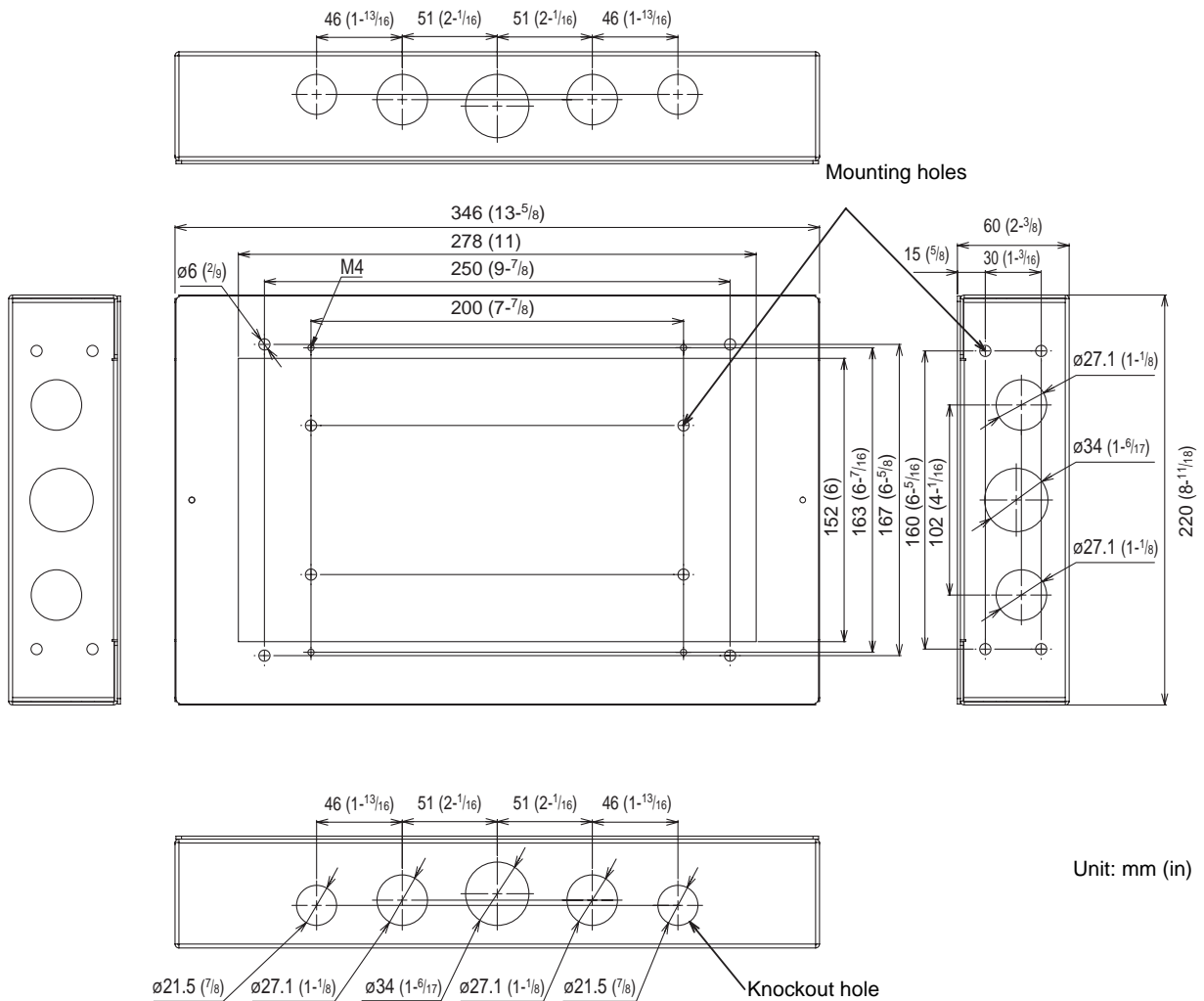
## 2 Parts List

The Installation Manual and the parts listed below are included with the package.

\* Leave the Electric Box in the package until ready to install to protect it from damage.

Name	① Electric Box (PAC-YG83UTB)	② Mounting screws
Quantity	1	4
Shape		<p>Wood screws M4x20</p>  <p>* If the Electric Box is installed on a non-wood surface, select an appropriate type of screws (4 pcs.) to suit the structure type. Check that the wall is strong enough to support the weight of the Electric Box (PAC-YG83UTB:2.0 kg).</p>

## 3 External Dimensions



Weight	2.0 kg (4-7/16 lb)
--------	--------------------

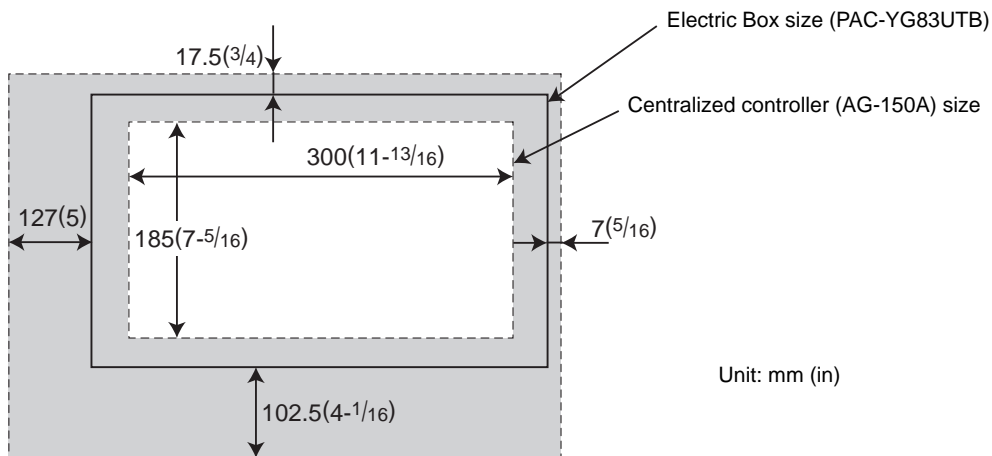
### NOTE

There is no top or bottom orientation.

## 4 | Selecting an Installation Site

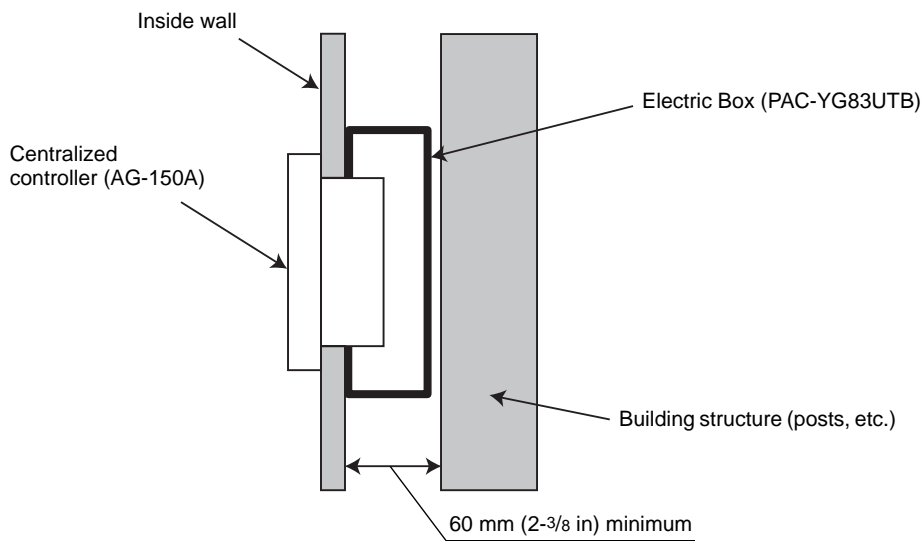
### 1. Required installation space

Install the electric box so that there is enough wall space around the Centralized controller AG-150A as shown below.



### 2. Required space behind the wall

A minimum space of 60 mm (2-3/8 in) is required behind the wall.

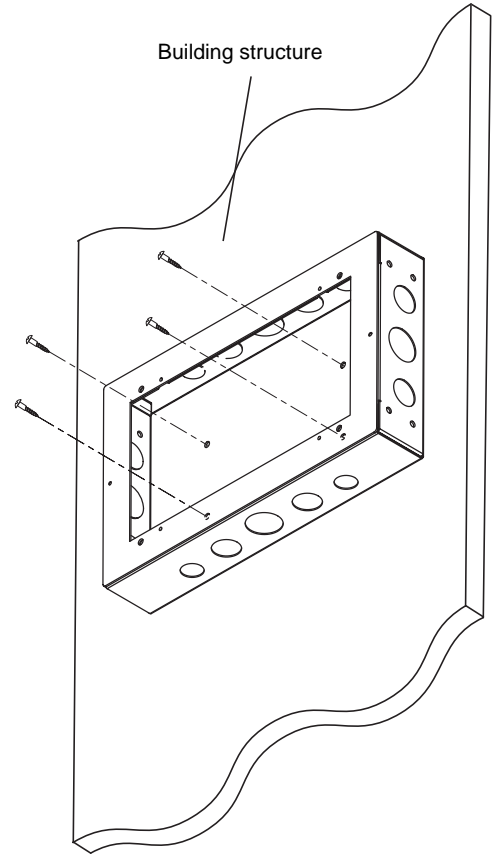
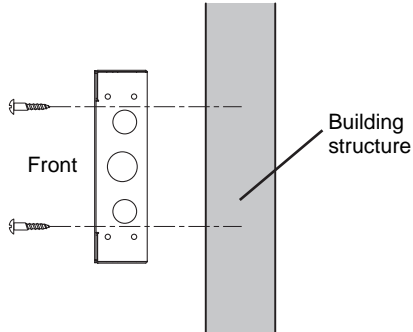


## 5 Installation

### 1. Installing the Electric Box (PAC-YG83UTB)

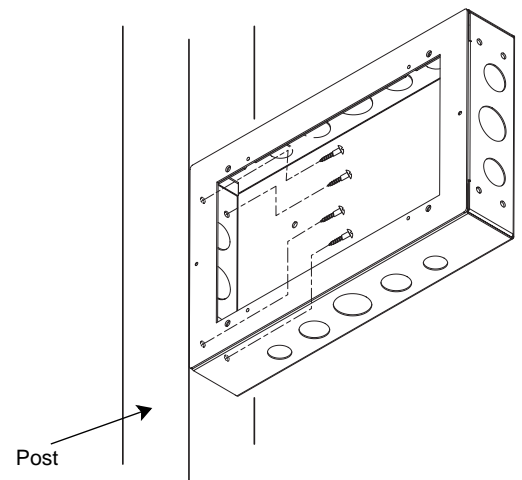
#### ① Rear installation

To mount the rear of the Electric Box to a structure inside a wall, fix the Electric Box with the four mounting screws as shown in the right figure. Select an appropriate type of screws (4 pcs.) to suit the structure type. Check that the wall is strong enough to support the weight of the Electric Box.



#### ② Side mounting

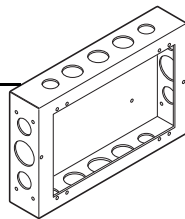
Use the four mounting screws to mount the side of the Electric Box to a post or other building structure. Select an appropriate type of screws (4 pcs.) to suit the structure type. Check that the wall is strong enough to support the weight of the Electric Box.



### 2. Punch out the knockout holes.

Punch out appropriate knockout holes, depending on how the cables are routed.

Punch out the knockout holes.  
(Punch out the appropriate knockout hole.)



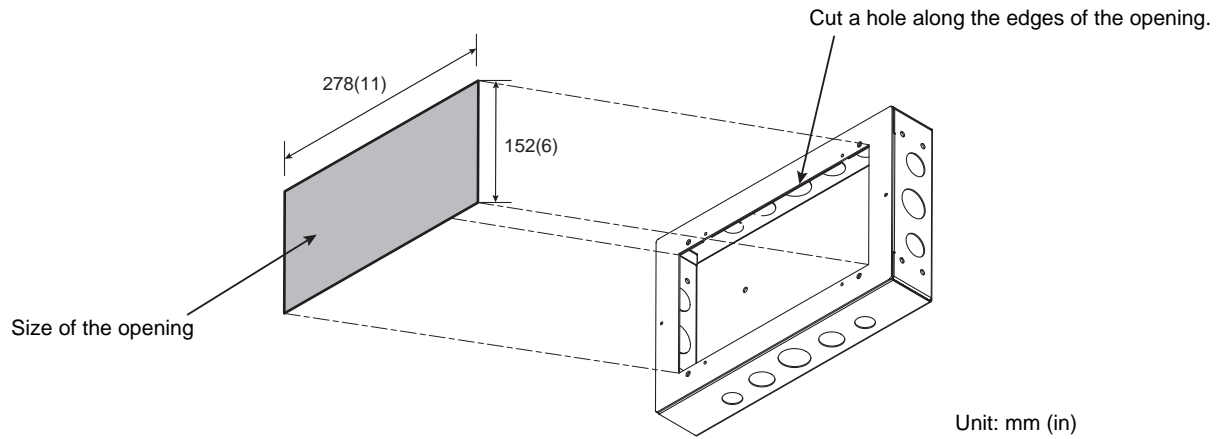
#### ⚠ CAUTION

Keep the cables from coming in direct contact with the edges of the wire access holes. If the cables are damaged, they may cause electric shock or fire. Install a bushing at the end of the conduit tube.

### 3. Cutting a hole in the wall

Cut a hole for the Electric Box in the wall. Cut a hole along the edges of the Electric Box opening.

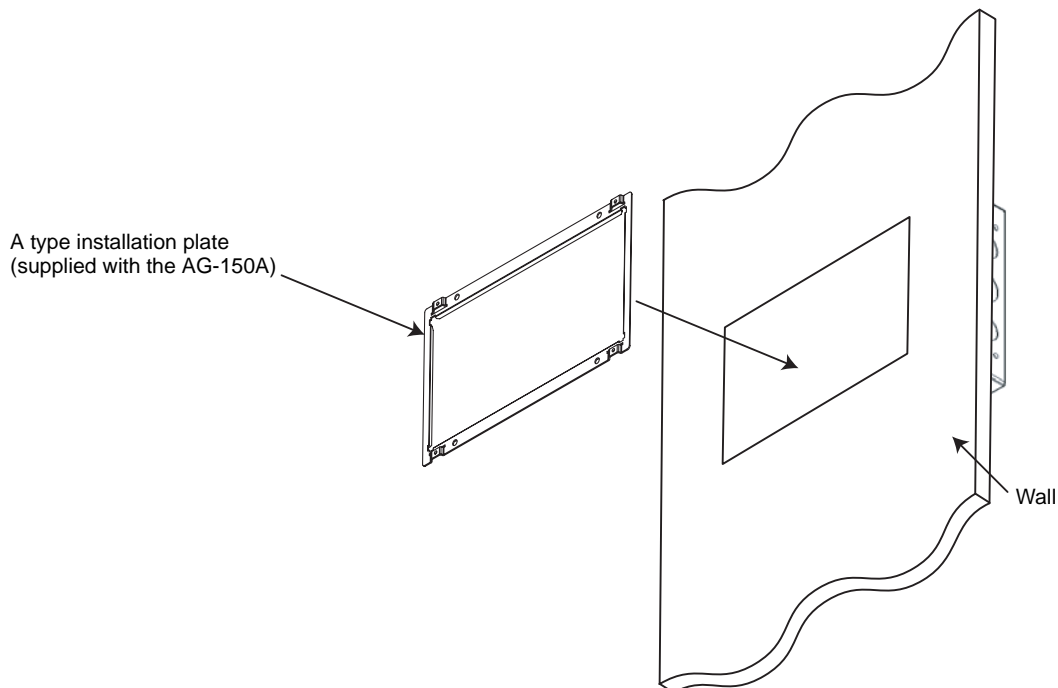
The opening should be exactly 278 mm (11 in) [W] × 152 mm (6 in) [H] to allow for a proper installation of the AG-150A.



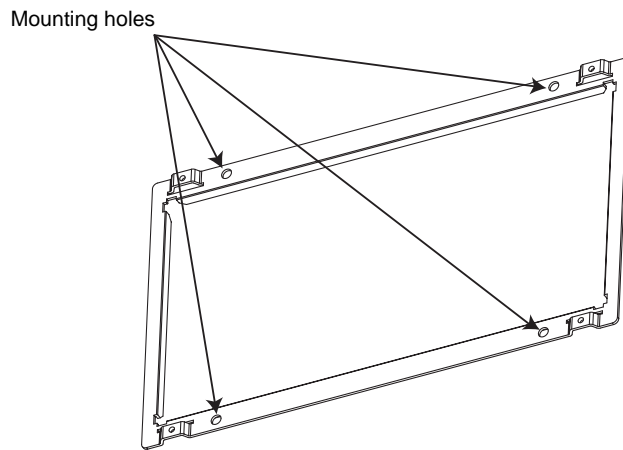
### 4. Installing the installation plate

The A type installation plate (supplied with AG-150A) installed by first fitting it in the wall opening, then attaching it to the Electric Box.

- ① Fit the A type installation plate in the wall opening.



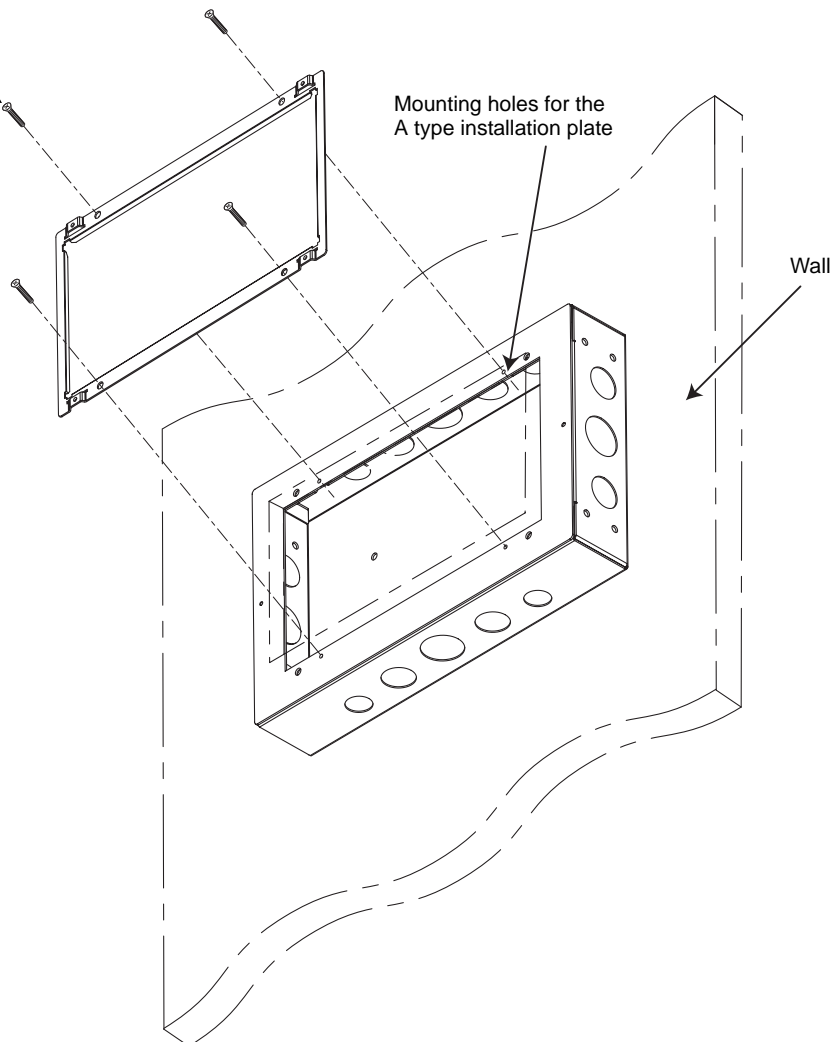
- ② Screw the A type installation plate down by putting the M4 flathead screws (supplied with AG-150A) through the mounting holes on the Electric Box.



**NOTE**

If a precise hole is cut out in as shown in Step 3 above, the screw holes on the A type installation plate will automatically be aligned with the screw holes on the Electric Box.

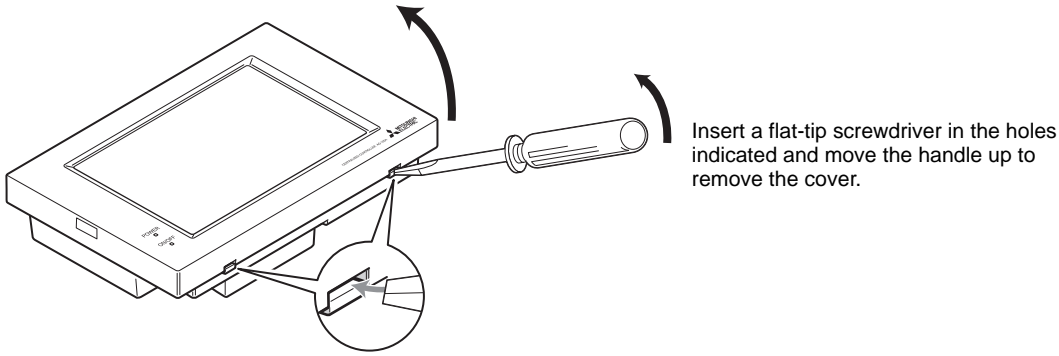
M4 flathead screws  
(supplied with AG-150A)



**NOTE**

Drilling prepared holes ( $\varnothing 3$ ) on the walls will make it easier to screw in the screws.  
(\* Drill appropriate prepared holes according to the wall material.)

## 5. Remove AG-150A surface cover.

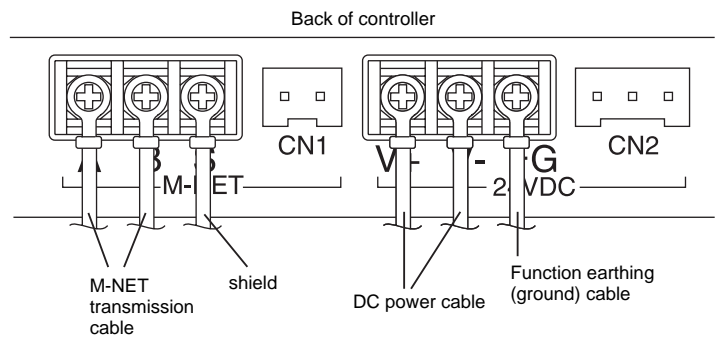
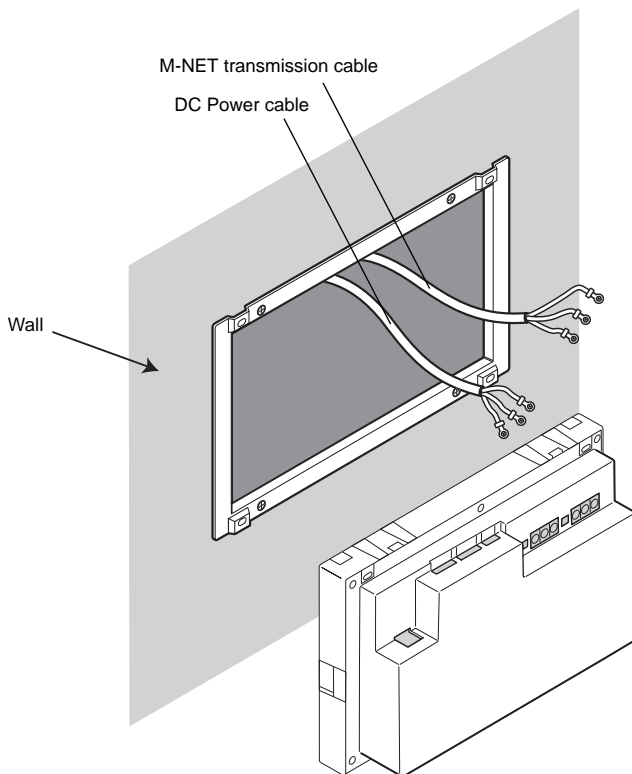


## 6. Wiring

Connect the cables to the AG-150A.  
Refer to the AG-150A Installation Manual for details.

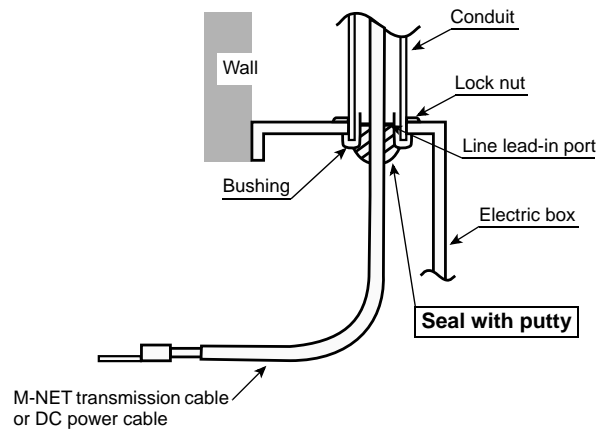
### ⚠ CAUTION

- \* Do not put the signal wire and power wire in the same conduit.
- \* When routing the cable from the top of the controller, let the cable hang down below the connector before connecting it to the terminal block or connector as shown in the figure below to prevent water from running down the cable and cause electric shock or fire.



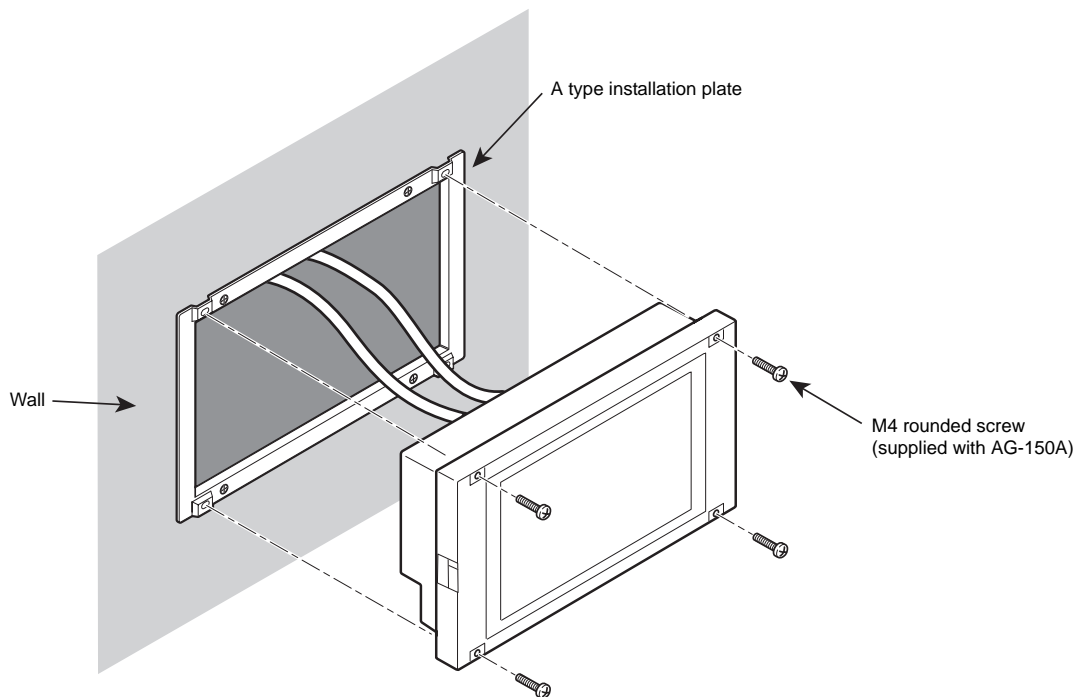
### 7. Sealing the cable access hole with putty

Install a bushing at the end of a conduit tube, and seal the space in between with putty.



### 8. Installing the AG-150A

Install the AG-150A with the four M4 round head screws on the A type installation plate.



### 9. Replace the AG-150A surface cover.









 **mitsubishi electric corporation**

**HEAD OFFICE:** TOKYO BLDG., 2-7-3, MARUNOUCHI, CHIYODA-KU, TOKYO 100-8310, JAPAN

**Authorized representative in EU:** MITSUBISHI ELECTRIC EUROPE B.V.

HARMAN HOUSE, 1 GEORGE STREET, UXBRIDGE, MIDDLESEX UB8 1QQ, U.K.

WT05420X01  
Printed in Japan  
Recycled Paper