



Enables the replacement of VRF systems, whilst utilising existing R22 / R407c pipework

Designed for the maturing refurbishment sector, the tried and tested system enables the re-use of existing R22/R407c pipework, whilst allowing upgrading to an efficient, effective system. Replace Multi cleans existing pipework during commissioning, removing and deposits and R22 mineral oil that would have ordinarily meant that new pipework would have been called for. The implications of this are significant savings on cost and time, whilst also minimising any potential disruption.

Key Features

- Enables replacement of VRF systems including non-Mitsubishi Electric models
- Utilises existing R22/R407c pipework, control and power wiring, reducing waste, installation time and CO₂ emissions and increasing energy efficiency



Air Conditioning

Product Information

Y Series Replace Multi (22.4-33.5kW) Heat Pump Outdoor Unit

Making a
World of
Difference

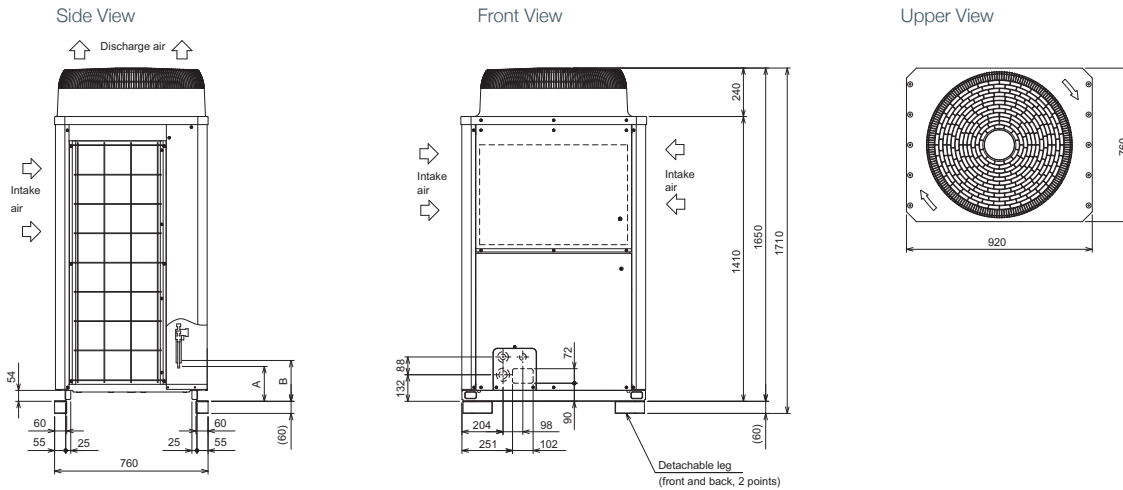


OUTDOOR UNITS		PUHY-RP200YJM-B	PUHY-RP250YJM-B	PUHY-RP300YJM-B
CAPACITY (kW)	Heating (nominal)	25.0	31.5	37.5
	Cooling (nominal)	22.4	28.0	33.5
	High Performance Heating (UK)	25.0	31.5	36.0
	COP Priority Heating (UK)	22.8	28.7	32.6
	Cooling (UK)	21.2	26.6	31.5
POWER INPUT (kW)	Heating (nominal)	5.69	7.22	9.42
	Cooling (nominal)	5.68	7.62	8.98
	High Performance Heating (UK)	7.34	9.31	12.43
	COP Priority Heating (UK)	5.63	7.15	9.14
	Cooling (UK)	3.30	4.42	5.84
COP / EER (nominal)		4.39 / 3.94	4.36 / 3.67	3.98 / 3.73
SCOP / SEER*		-	-	-
MAX No. OF CONNECTABLE INDOOR UNITS		17	21	26
MAX CONNECTABLE CAPACITY		50-130% OU Capacity	50-130% OU Capacity	50-130% OU Capacity
AIRFLOW (m ³ /min)	High	185	185	185
PIPE SIZE mm (in)	Gas	28.58 (1-1/8")	28.58 (1-1/8")	28.58 (1-1/8")
	Liquid	12.7 (1/2")	12.7 (1/2")	12.7 (1/2")
SOUND PRESSURE LEVEL (dBA)		56	57	59
SOUND POWER LEVEL (dBA)		76	77	79
WEIGHT (kg)		230	255	255
DIMENSIONS (mm)	Width	920	920	920
	Depth	760	760	760
	(1650mm without legs) Height	1710	1710	1710
ELECTRICAL SUPPLY		380-415v, 50Hz	380-415v, 50Hz	380-415v, 50Hz
PHASE		Three	Three	Three
STARTING CURRENT (A)		8	8	8
NOMINAL SYSTEM RUNNING CURRENT (A)* Heating / Cooling [MAX]		8.7/8.7 [13.5]	12.1/12.7 [18.3]	15.2/14.4 [21.5]
GUARANTEED OPERATING RANGE (°C) Heating / Cooling		-20~-15.5 / -5~-46	-20~-15.5 / -5~-46	-20~-15.5 / -5~-46
FUSE RATING (MCB sizes BS EN 60947-2) - (A)		1 x 20	1 x 20	1 x 25
MAINS CABLE No. Cores		4 + earth	4 + earth	4 + earth
CHARGE REFRIGERANT (kg) / CO ₂ EQUIVALENT (t) R410A (GWP 2088)		6.5 / 13.6	9.0 / 18.8	9.0 / 18.8
MAX ADDITIONAL REFRIGERANT (kg) / CO ₂ EQUIVALENT (t) R410A (GWP 2088)		21.0 / 43.8	21.0 / 43.8	28.0 / 58.5

Notes: *SEER/SCOP available separately in the 'City Multi VRF Seasonal Efficiency' document. Based on Ecodesign Lot 21/6 to EN14825 standard.
Larger combination models are also available, please ask your local sales office for further information. These products are made to order, please consult your local sales office for delivery schedule.

PRODUCT DIMENSIONS

PUHY-RP200/250/300YJM-B



Telephone: 01707 282880
email: air.conditioning@meuk.mee.com
web: airconditioning.mitsubishielectric.co.uk

UNITED KINGDOM Mitsubishi Electric Europe Living Environment Systems Division
Travellers Lane, Hatfield, Hertfordshire, AL10 8XB, England General Enquiries Telephone: 01707 282880 Fax: 01707 278881

IRELAND Mitsubishi Electric Europe Westgate Business Park, Ballymount, Dublin 24, Ireland
Telephone: Dublin (01) 419 8800 Fax: Dublin (01) 419 8890 International code: (003531)

Country of origin: United Kingdom - Japan - Thailand - Malaysia. ©Mitsubishi Electric Europe 2019. Mitsubishi and Mitsubishi Electric are trademarks of Mitsubishi Electric Europe B.V. The company reserves the right to make any variation in technical specification to the equipment described, or to withdraw or replace products without prior notification or public announcement. Mitsubishi Electric is constantly developing and improving its products. All descriptions, illustrations, drawings and specifications in this publication present only general particulars and shall not form part of any contract. All goods are supplied subject to the Company's General Conditions of Sale, a copy of which is available on request. Third-party product and brand names may be trademarks or registered trademarks of their respective owners.

Notes: The fuse rating is for guidance only. Please refer to the relevant databook for detailed specification. It is the responsibility of a qualified electrician/electrical engineer to select the correct cable size and fuse rating based on current regulation and site specific conditions. Mitsubishi Electric's air conditioning equipment and heat pump systems contain a fluorinated greenhouse gas, R410A (GWP:2088), R32 (GWP:675), R407C (GWP:1774) or R134a (GWP:1430). *These GWP values are based on Regulation (EU) No 517/2014 from IPCC 4th edition. In case of Regulation (EU) No.626/2011 from IPCC 3rd edition, these are as follows: R410A (GWP:1975), R32 (GWP: 550), R407C (GWP:1650) or R134a (GWP:1300).



www.greengateway.mitsubishielectric.co.uk
Mitsubishi Electric UK's commitment
to the environment

Follow us @meuk_Jes
Follow us @green_gateway

Mitsubishi Electric
Living Environmental Systems UK

mitsubishielectric2

thehub.mitsubishielectric.co.uk

Effective as of February 2019