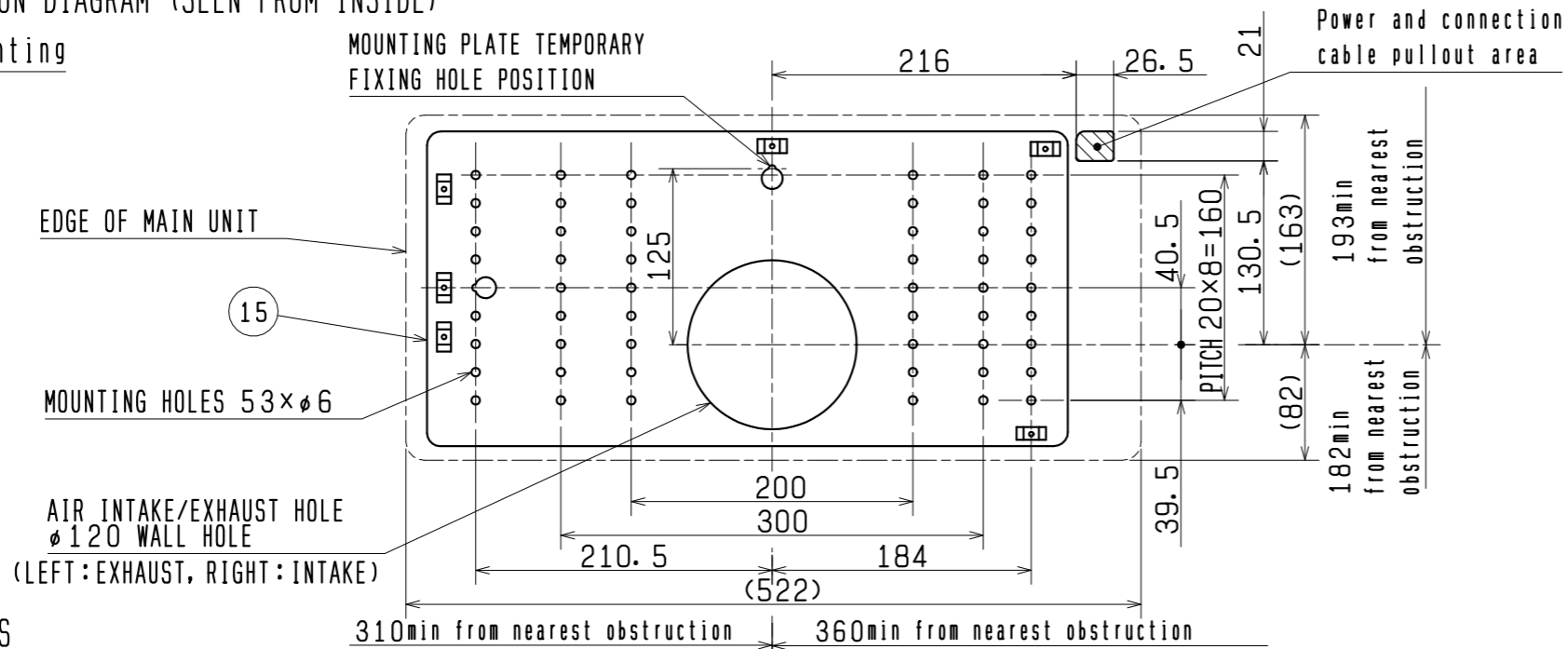
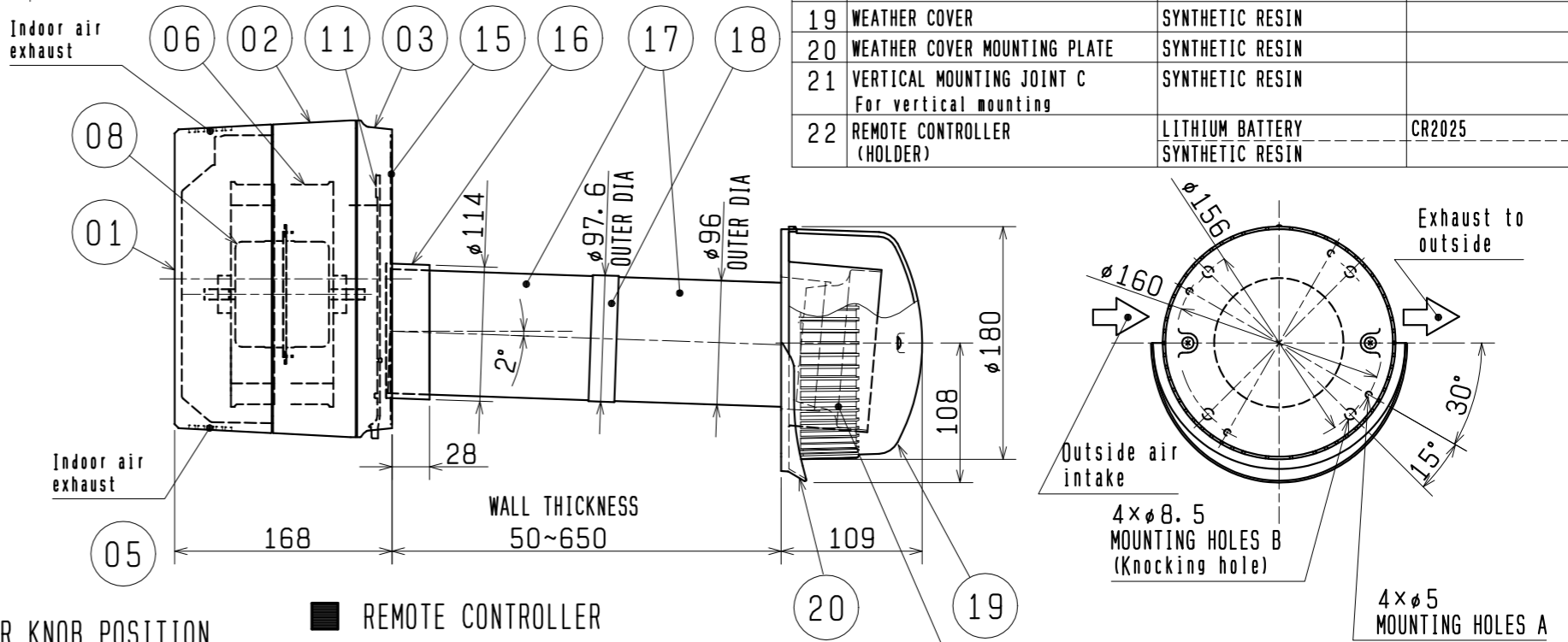
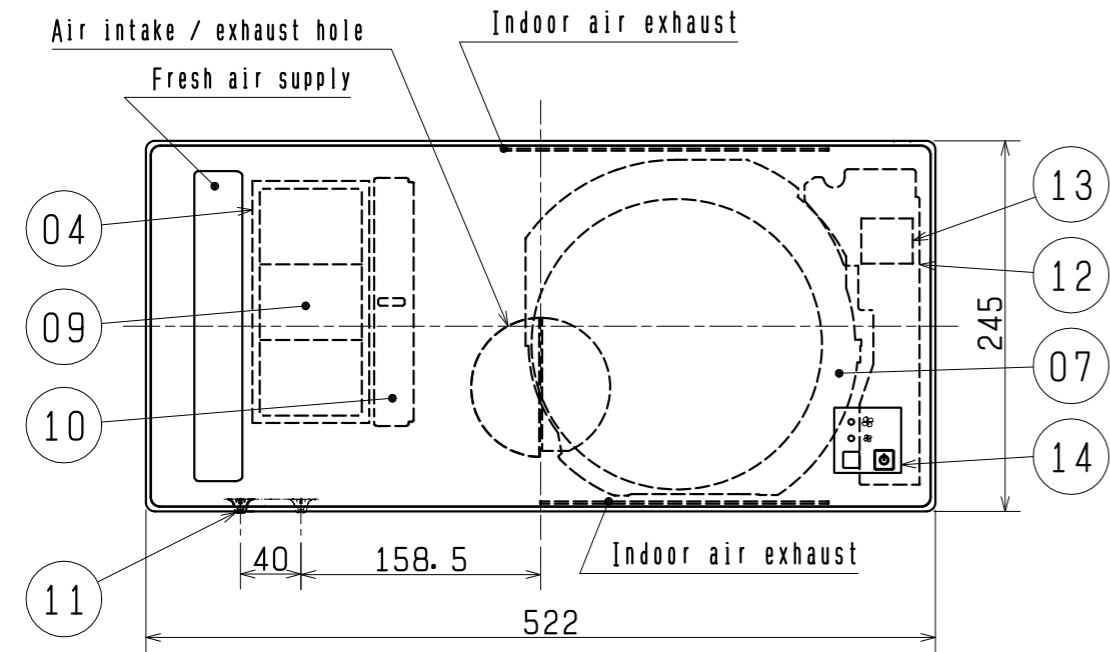


■ MOUNTING POSITION DIAGRAM (SEEN FROM INSIDE)

For horizontal mounting



■ OUTLINE DRAWINGS



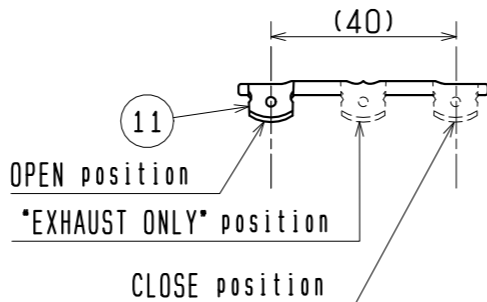
No.	PARTS NAME	MATERIAL	REMARKS
01	FRONT PANEL	SYNTHETIC RESIN	MUNSELL 6.4Y8.9/0.4
02	FRONT CASING	SYNTHETIC RESIN	MUNSELL 6.4Y8.9/0.4
03	BACK CASING	SYNTHETIC RESIN	MUNSELL 6.4Y8.9/0.4
04	HEAT EXCHANGER	SPECIALLY TREATED PAPER	
05	VANE FOR AIR EXHAUST	SYNTHETIC RESIN	
06	VANE FOR AIR SUPPLY	SYNTHETIC RESIN	
07	FAN GUARD	SYNTHETIC RESIN	
08	MOTOR		
09	FILTER(AIR EXHAUST)	SYNTHETIC RESIN	
10	FILTER(AIR SUPPLY)	NON-WOVEN FABRIC	
11	SHUTTER	SYNTHETIC RESIN	
12	PCB BOX	GALVANIZED STEEL SHEET	
13	TERMINAL BLOCK		
14	DISPLAY PART		
15	MOUNTING PLATE	GALVANIZED STEEL SHEET	
16	PIPE MOUNTING PLATE	SYNTHETIC RESIN	
17	AIR SUPPLY/EXHAUST PIPE A	SYNTHETIC RESIN	
18	JOINT PIPE B	SYNTHETIC RESIN	
19	WEATHER COVER	SYNTHETIC RESIN	
20	WEATHER COVER MOUNTING PLATE	SYNTHETIC RESIN	
21	VERTICAL MOUNTING JOINT C For vertical mounting	SYNTHETIC RESIN	
22	REMOTE CONTROLLER (HOLDER)	LITHIUM BATTERY SYNTHETIC RESIN	CR2025

■ SPECIFICATIONS

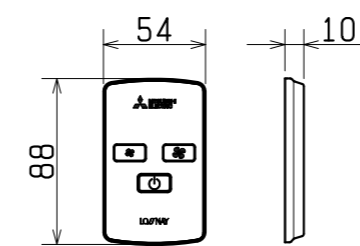
POWER SUPPLY		NOTCH	POWER CONSUMPTION (W)	AIR VOLUME (m³/h)	TEMPERATURE EXCHANGE EFFICIENCY (%)	SOUND LEVEL (dB)	WEIGHT (kg)
FREQUENCY (Hz)	VOLTAGE (V)						
50	220	HI	19	51	70	36.5	6.2
		LO	4.5	15	86	14	
	230	HI	20	52.5	69	37	
		LO	5	16	85	15	
60	240	HI	21	54	68	37.5	
		LO	5.5	17	84	15.5	
	220	HI	21	54	68	37.5	
		LO	6	17	84	15.5	

TYPE OF MOTOR CONDENSER MOTOR-4POLES / SINGLE PHASE
WITHSTAND VOLTAGE AC 1000V 1 MINUTE SHUTTER MANUAL OPERATION

■ SHUTTER KNOB POSITION



■ REMOTE CONTROLLER



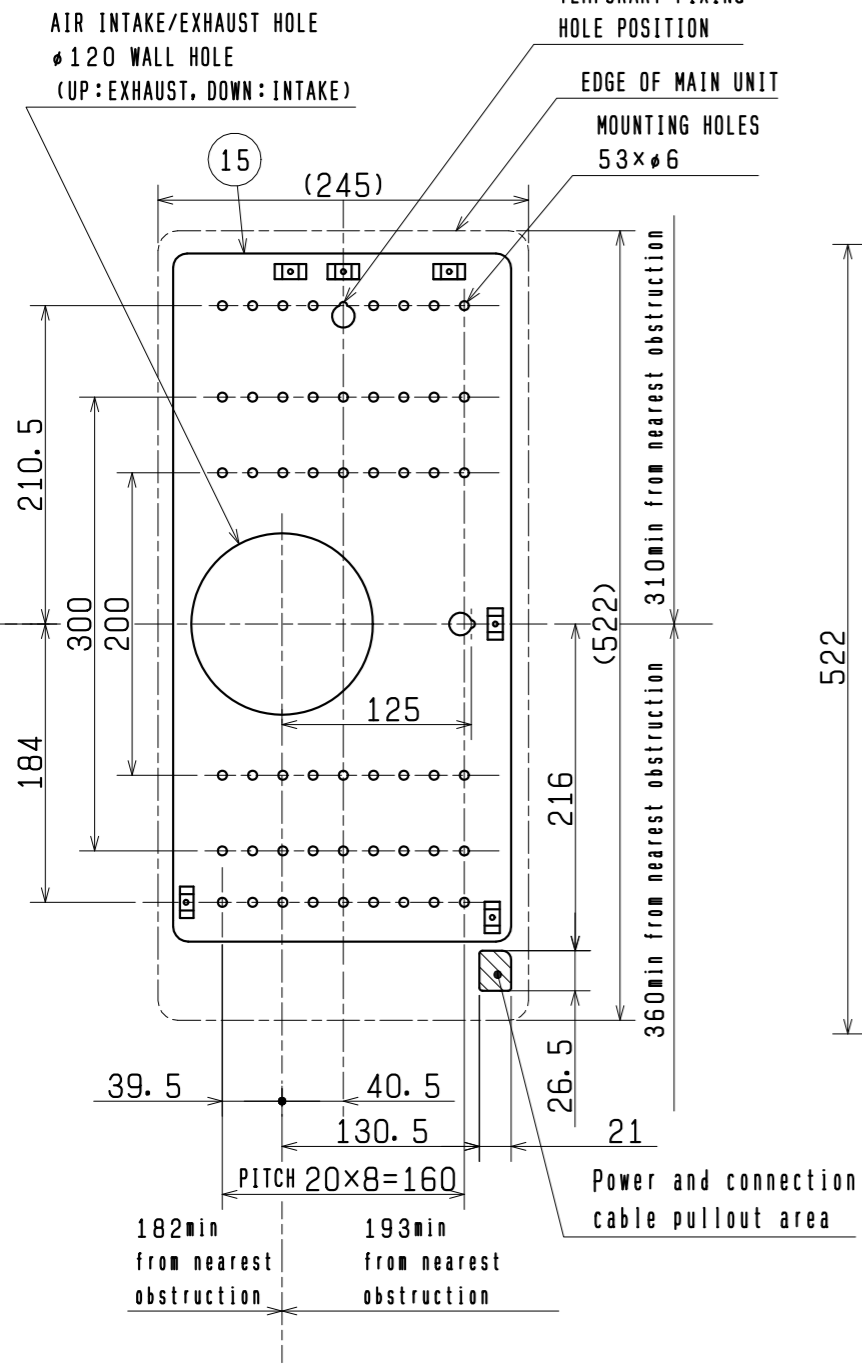
*Specifications may be subject to change without notice.

	DATE	TYPE	LOSSNAY Ventilator	
	2017-05-10	MODEL	VL-50SR ₂ -E	
	NUMBER	NB416028		1/3

*THE TESTING METHODS ARE BASED ON JAPANESE INDUSTRIAL STANDARD B 8628.

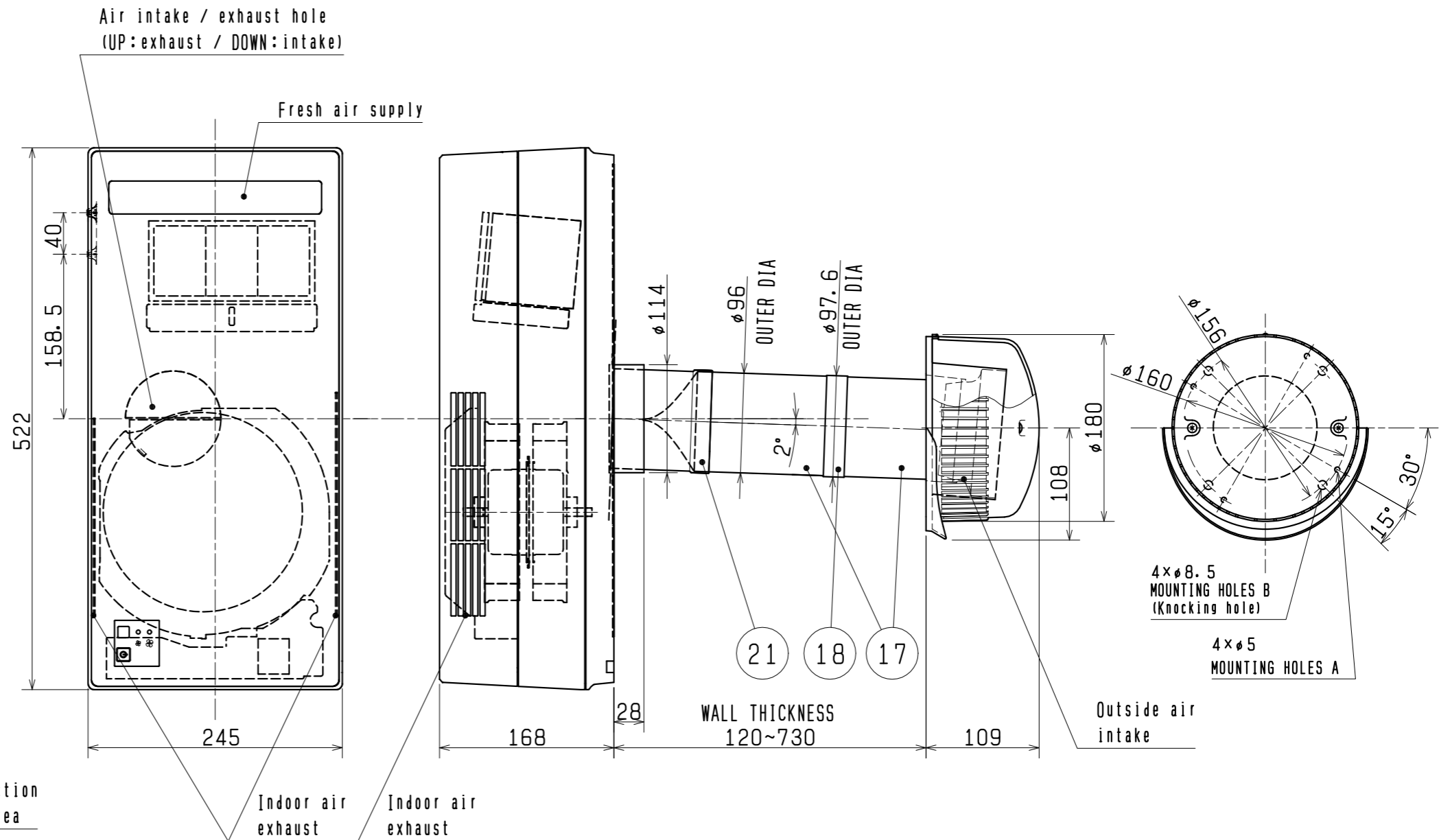
■ MOUNTING POSITION DIAGRAM (SEEN FROM INSIDE)

For vertical mounting

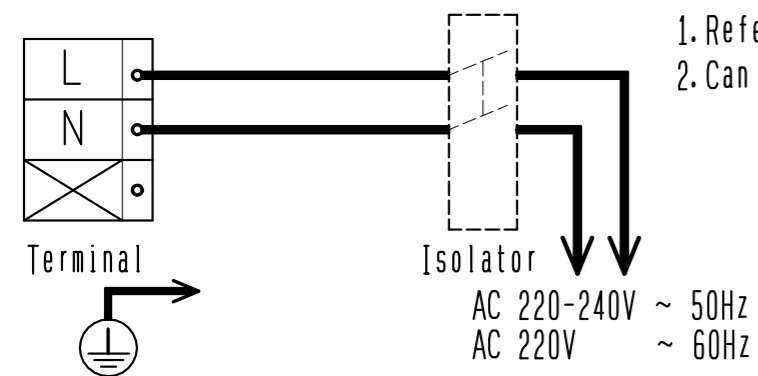


■ OUTLINE DRAWINGS

※For vertical mounting, the display part comes to the lower side. (The unit cannot be mounted upside down.)



■ WIRING DIAGRAM



(Cautions)

1. Refer to installation manual.
2. Can not operate multiple products.

※Specifications may be subject to change without notice.

	DATE	TYPE	LOSSNAY Ventilator	
	2017-05-10	MODEL	VL-50SR ₂ -E	
		NUMBER	NB416028	2/3

(Cautions)

1. Install this product in an environment where the temperature and humidity is in below ranges.

Outdoor : from -20°C to +40°C

Indoor : from 0°C to +40°C

* If outdoor temperature is -10°C, indoor temperature and relative humidity should not exceed the dew point temperature 6.0°C (e.g. RH 40% / 20°C)

2. If the outside temperature falls below -10°C and the room's humidity rises above 40%, use "Exhaust Only" to prevent freezing or damage to the Lossnay Core.

If the outside temperature falls below -20°C and the room's humidity rises above 40%, stop the unit and close the shutter to prevent freezing or damage to the Lossnay Core.

3. If there is much humidity emitted from building materials in new residential housing, waterdrop may appear to the panel surface of the unit.

4. If waterdrop appears to the panel surface of the unit, wipe off it with cloth, etc.

5. Do not install the unit under the high temperature condition (40°C or more).

It leads the cause of early unit damage.

6. Do not use the unit in bathrooms, washrooms, etc., since it is not wetproof structure.

It leads the cause of an electric shock and unit damage.

7. Do not install the unit in the place with much soot, such as a kitchen, or the place where the organic solvent is poured.

8. Do not install in corrosive areas such as high saline areas or near sulfurous springs.

9. Prepare the air intake hole of the outdoor side to be in the appropriate position where the fresh air is to take in.

10. Make sure to use the unit combined with supplied optional parts, such as outdoor weather cover.

Otherwise, water and snow may permeate in the place where rain water and snow fall on directly.

11. Do not use the Lossnay in areas prone to damage from salt or hot springs.

12. This appliance is not intended for use by persons (including children) with reduced physical, sensory or mental capabilities, or lack of experience and knowledge, unless they have been given supervision or instruction concerning use of the appliance by a person responsible for their safety.

13. Children should be supervised to ensure that they do not play with the appliance.

14. We recommend to install the unit in the place separated from the bed.

(There may be the possibility of feeling the operating sound or the feeling cold wind at the time of sleeping.)

15. Install the unit in the place where it can be cleaned with ease, since its built-in filter can be blocked with dust, etc.

(Although the built-in filter prevents the dust, etc. from the open air, the unit and its around may become dirty.)

16. Since the accumulation efficiency of the open air purification filter is 82% by the mass method, some of small particles or insects, etc. may pass.

17. When the unit is not operating, slide the shutter to the closed position if the weather is windy, dense foggy or snowstorm.

18. You can open the shutter when the unit is off to use as a natural ventilation.

19. In mid-rise and high-rise buildings or in coastal and other areas prone to strong winds, wind could blow into the unit when it is not operating.

Install the Lossnay where it will not be directly subject to wind.

(REMOTE CONTROLLER)

1. The remote controller may not function correctly in the following locations.

• Locations where there are obstacles between the remote controller and the reciver on the main unit.

• Locations where storong light from a lighting equipment is striking.


• Locations where storong light such as sunlight is striking the reciver on the main unit.

• Locations where the remote controller may be subject to effects from electromagnetic waves such as in close proximity to television.

2. The battery should be replaced approximately once a year.

(Battery life varies depending on the battery type and the frequency with which the remote controller is used.)

※Specifications may be subject to change without notice.

	DATE	TYPE	LOSSNAY Ventilator	
	2017-05-10	MODEL	VL-50SR ₂ -E	
		NUMBER	NB416028	3/3