

# PARTS CATALOG

## Series PLA Ceiling Cassettes

**R32/R410A**
**Indoor unit**

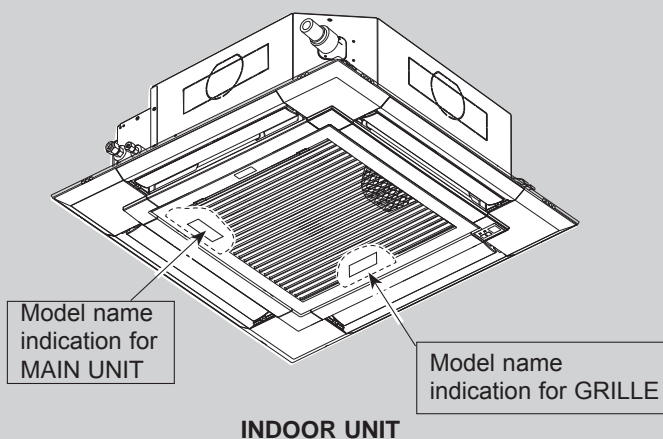
[Model Name]	[Service Ref.]
PLA-SM71EA	PLA-SM71EA.UK
PLA-SM100EA	PLA-SM100EA.UK
PLA-SM125EA	PLA-SM125EA.UK
PLA-SM140EA	PLA-SM140EA.UK

**Note:**

- RoHS compliant products have <G> mark on the spec name plate.

**Grille model**

[Model Name]	[Service Ref.]	
PLP-6EA	PLP-6EA	PLP-6EAR1
PLP-6EAL	PLP-6EAL	PLP-6EALR1
PLP-6EAJ	PLP-6EAJ	
PLP-6EALM	PLP-6EALM	



### CONTENTS

1. RoHS PARTS LIST .....2
2. OPTIONAL PARTS LIST .....6

**SERVICE MANUAL (OCH683)**

**GRILLE PARTS**

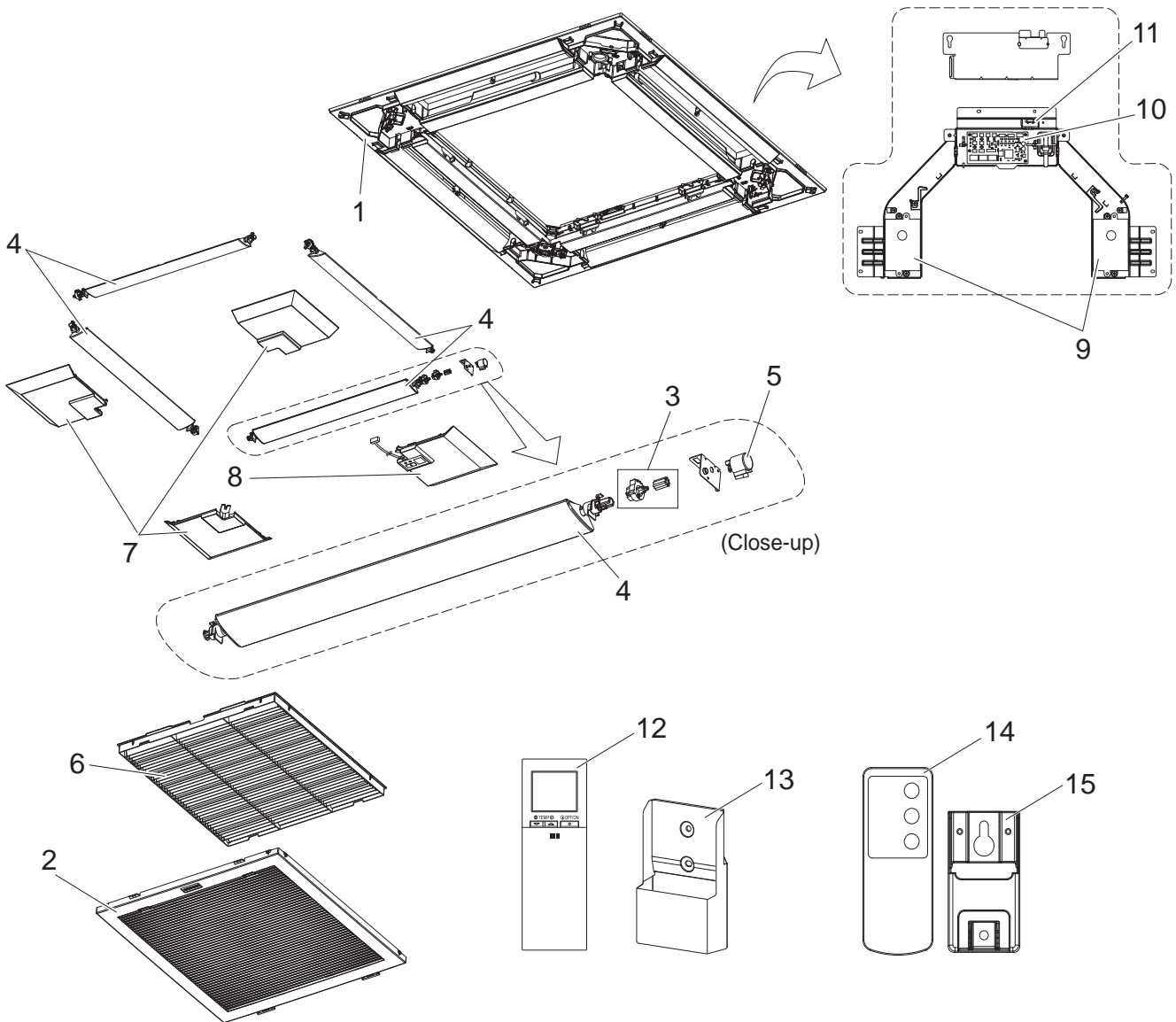
[Service Ref.]

PLP-6EA      PLP-6EAR1      (Standard)

PLP-6EAL      PLP-6EALR1      (Standard with signal receiver)

PLP-6EAJ      (Elevation)

PLP-6EALM      (Standard with signal receiver and wireless remote controller)

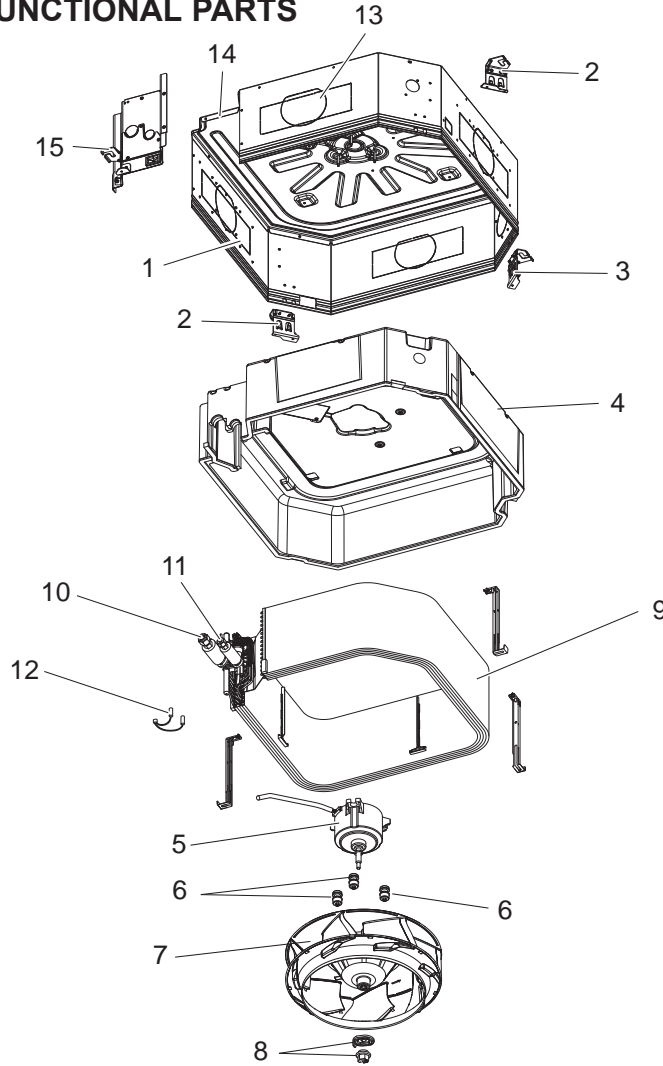


# RoHS PARTS LIST

No.	RoHS	Part No.	Part Name	Specification	Q'ty/unit						Wiring Diagram Symbol
					PLP-6EA	PLP-6EAR1	PLP-6EAL	PLP-6EALR1	PLP-6EAJ	PLP-6EALM	
1	G	E17 D72 003	AIR OUTLET GRILLE		1		1				
	G	E17 F85 003	AIR OUTLET GRILLE			1		1	1	1	
2	G	E17 D72 010	INTAKE GRILLE		1		1				
	G	E17 F85 010	INTAKE GRILLE			1		1		1	
	G	E17 F91 010	INTAKE GRILLE						1		
3	G	E17 D72 031	GEAR (VANE&S/M)		4		4				
	G	E17 F85 031	GEAR (VANE&S/M)			4		4	4	4	
4	G	E17 D72 037	AUTO VANE&VANE BUSH		4		4				
	G	E17 F85 037	AUTO VANE&VANE BUSH			4		4	4	4	
5	G	E17 103 303	VANE MOTOR		4	4	4	4	4	4	MV
6	G	E17 D72 100	AIR FILTER		1		1				
	G	E17 F85 100	AIR FILTER			1		1	1	1	
7	G	E17 D72 975	CORNER PANEL		4		3				
	G	E17 F85 975	CORNER PANEL			4		3	3	3	
8	G	E17 D73 975	CORNER PANEL (Signal receiver)				1				
	G	E17 F88 975	CORNER PANEL (Signal receiver)					1	1	1	
9	G	E17 F91 471	MOTOR BOX						2		
10	G	E17 F91 447	CONTROLLER BOARD						1		
11	G	E17 F91 316	LIMIT SWITCH						1		
12	G	E17 F89 426	WIRELESS REMOTE CONTROLLER	PAR-SL100A-E							1
13	G	E17 D44 083	HOLDER	for PAR-SL100A-E							1
14	G	E17 F91 426	WIRELESS REMOTE CONTROLLER	for Elevation panel					1		
15	G	E17 F91 083	HOLDER	for Elevation panel					1		

# RoHS PARTS LIST

## STRUCTURAL AND FUNCTIONAL PARTS

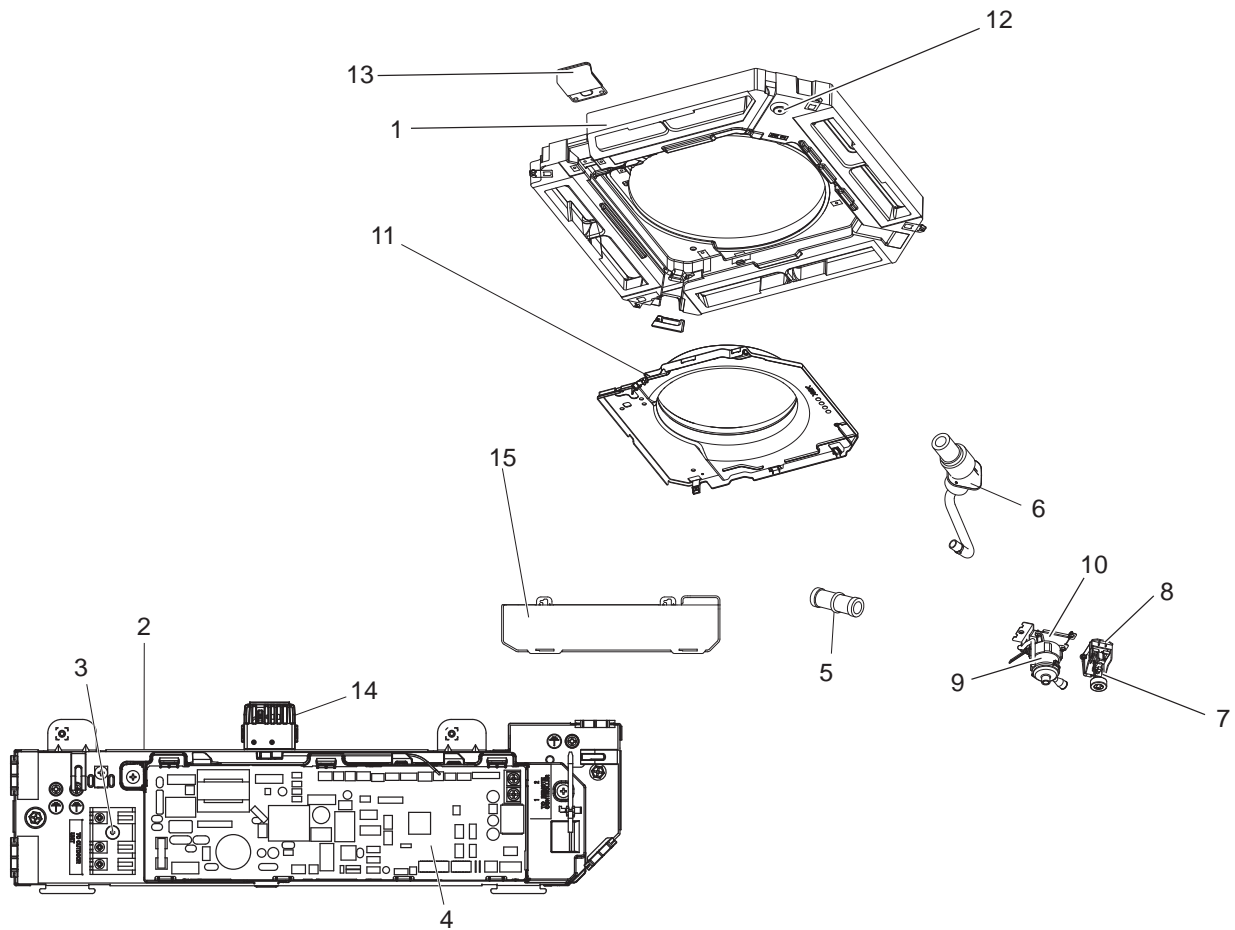


7LE00-A00JS

No.	RoHS	Part No.	Part Name	Specification	Q'ty/unit				Wiring Diagram Symbol
					PLA-SM-EA.UK				
					71	100	125	140	
1	G	S70 0B7 688	DRUM 2 ASSY		1				
	G	S70 0B8 688	DRUM 2 ASSY			1	1	1	
2	G	S70 EA2 130	LEG PUMP		2	2	2	2	
3	G	S70 EA1 130	LEG FA		1	1	1	1	
4	G	S70 0B4 659	INNER COVER ASSY-S		1				
	G	S70 0B5 659	INNER COVER ASSY-L			1	1	1	
5	G	S70 0B4 762	FAN MOTOR	(DC)-S	1				MF
	G	S70 0B5 762	FAN MOTOR	(DC)-M		1	1	1	MF
6	G	S70 0B1 105	MOTOR MOUNT		3	3	3	3	
7	G	S70 0B4 114	TURBO FAN		1	1	1	1	
8	G	S70 11B 097	SPL WASHER / NUT		1	1	1	1	
9	G	S70 B28 480	HEAT EXCHANGER		1				
	G	S70 B26 480	HEAT EXCHANGER			1			
	G	S70 B27 480	HEAT EXCHANGER				1	1	
10	G	S70 0B4 097	FLARE NUT	3/8"	1	1	1	1	
11	G	S70 0B5 097	FLARE NUT	5/8"	1	1	1	1	
12	G	S70 0B4 202	THERMISTOR		1	1	1	1	TH2/TH5
13	G	S70 0B5 688	DRUM 1 ASSY		1				
	G	S70 0B6 688	DRUM 1 ASSY			1	1	1	
14	G	S70 0B2 687	BASE		1	1	1	1	
15	G	S70 EA3 130	LEG PIPE		1	1	1	1	

# RoHS PARTS LIST

## FUNCTIONAL AND ELECTRICAL PARTS



No.	RoHS	Part No.	Part Name	Specification	Q'ty/unit				Remarks (Drawing No.)	Wiring Diagram Symbol
					PLA-SM-EA.UK					
					71	100	125	140		
1	G	S70 0B4 529	DRAIN PAN		1	1	1	1		
2	G	S70 0B7 501	ELECTRICAL CONTROL BOX		1	1	1	1		
3	G	S70 K03 716	TERMINAL BLOCK	3P(S1,S2,S3)	1	1	1	1		TB4
4	G	S70 B14 310	INDOOR CONTROLLER BOARD		1	1	1	1		I.B
5	G	S70 29H 523	DRAIN SOCKET		1	1	1	1	Accessory	
6	G	S70 0B2 527	DRAIN HOSE ASSY		1	1	1	1		
7	G	S70 0B2 266	FLOAT SWITCH		1	1	1	1		FS
8	G	S70 0B2 533	FLOAT SWITCH BASE		1	1	1	1		
9	G	S70 0B2 355	DRAIN PUMP	220-240 V	1	1	1	1		DP
10	G	S70 0B3 533	DRAIN PUMP BASE		1	1	1	1		
11	G	S70 0B3 502	BELLMOUTH-S		1					
	G	S70 0B4 502	BELLMOUTH-L			1	1	1		
12	G	S70 A41 524	DRAIN PLUG		1	1	1	1		
13	G	S70 EA1 663	WIRE COVER		1	1	1	1		
14	G	S70 0B3 202	ROOM TEMP. THERMISTOR	220XAP	1	1	1	1		TH1
15	G	-	CONT COVER		1	1	1	1	BK02Y559G05	

Parts name	Parts No.
SPACE PANEL	PAC-SJ65AS-E
AIR OUTLET SHUTTER PLATE	PAC-SJ37SP-E
WIRED REMOTE CONTROLLER (MA REMOTE CONTROLLER)	PAR-32MAA
WIRED REMOTE CONTROLLER (SIMPLE MA REMOTE CONTROLLER)	PAC-YT52CRA
WIRELESS REMOTE CONTROLLER	PAR-SL100A-E
POWER SUPPLY TERMINAL KIT	PAC-SJ39HR-E
HIGH EFFICIENCY FILTER ELEMENT	PAC-SH59KF-E
MULTI-FUNCTIONAL CASEMENT	PAC-SJ41TM-E
FLANGE FOR FRESH AIR INTAKE	PAC-SH65OF-E
SYSTEM CONTROL INTERFACE	MAC-333IF
MA & CONTACT TERMINAL INTERFACE	MAC-397IF-E
REMOTE SENSOR	PAC-SE41TS-E
Wi-Fi INTERFACE	MAC-557IF-E
REMOTE ON/OFF ADAPTER	PAC-SE55RA-E
REMOTE OPERATION ADAPTER	PAC-SF40RM-E
CONNECTOR CABLE FOR REMOTE DISPLAY	PAC-SA88HA-E
GRILLE (Standard)	PLP-6EA, PLP-6EAR1
GRILLE (Standard with signal receiver)	PLP-6EAL, PLP-6EALR1
GRILLE (Standard with receiver and wireless remote controller)	PLP-6EALM
GRILLE (Automatic filter elevation without i-see Sensor)	PLP-6EAJ
SIGNAL RECEIVER CORNER PANEL	PAR-SE9FA-E

## MITSUBISHI ELECTRIC CORPORATION

HEAD OFFICE : TOKYO BUILDING, 2-7-3, MARUNOUCHI, CHIYODA-KU, TOKYO 100-8310, JAPAN