

SPLIT-TYPE AIR CONDITIONERS

## INDOOR UNIT

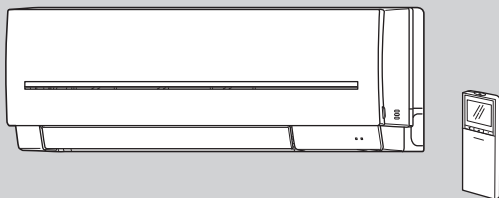
No. OBB799

# PARTS CATALOG

### Models

**MSZ-AP15VF** - E1, ER1

**MSZ-AP20VF** - E1, ER1



### CONTENTS

1. RoHS PARTS LIST..... 2

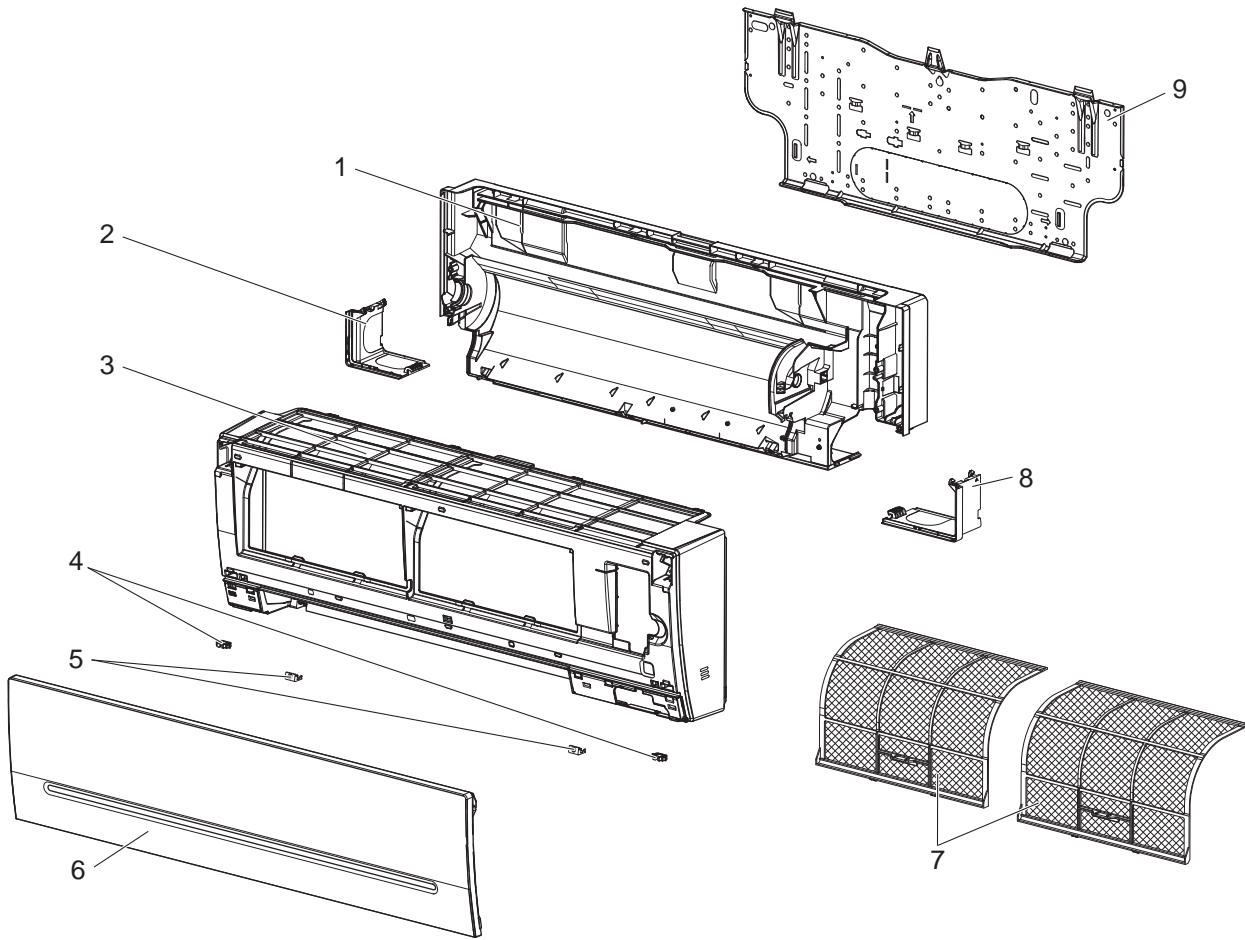
**SERVICE MANUAL (OBH799)**

**NOTE:**

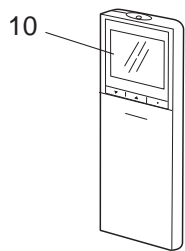
RoHS compliant products have <G> mark on the spec name plate.

MSZ-AP15VF -  E1,  ER1 MSZ-AP20VF -  E1,  ER1

## 1-1. INDOOR UNIT STRUCTURAL PARTS



## 1-2. ACCESSORY AND REMOTE CONTROLLER



# RoHS PARTS LIST

## 1-1. INDOOR UNIT STRUCTURAL PARTS

No.	RoHS	Part No.	Part name	Symbol in Wiring Diagram	Q'ty/unit				Remarks
					MSZ-AP				
					15VF- <u>E1</u>	15VF- <u>ER1</u>	20VF- <u>E1</u>	20VF- <u>ER1</u>	
1	G	E12 31D 234	BOX ASSEMBLY		1	1	1	1	
2	G	E12 31D 976	CORNER BOX (LEFT)		1	1	1	1	
3	G	E12 31D 000	PANEL ASSEMBLY		1		1		Including No. 4, 6
	G	E12 32D 000	PANEL ASSEMBLY			1		1	
4	G	E12 K90 142	CATCH		2	2	2	2	2 PCS/SET
5	G	E12 31D 067	SCREW CAP		2	2	2	2	2 PCS/SET
6	G	E12 31D 010	FRONT PANEL ASSEMBLY		1	1	1	1	
7	G	E12 K90 100	AIR FILTER		2	2	2	2	1 PC/SET
8	G	E12 31D 975	CORNER BOX (RIGHT)		1	1	1	1	
9	G	E12 K90 970	INSTALLATION PLATE		1	1	1	1	

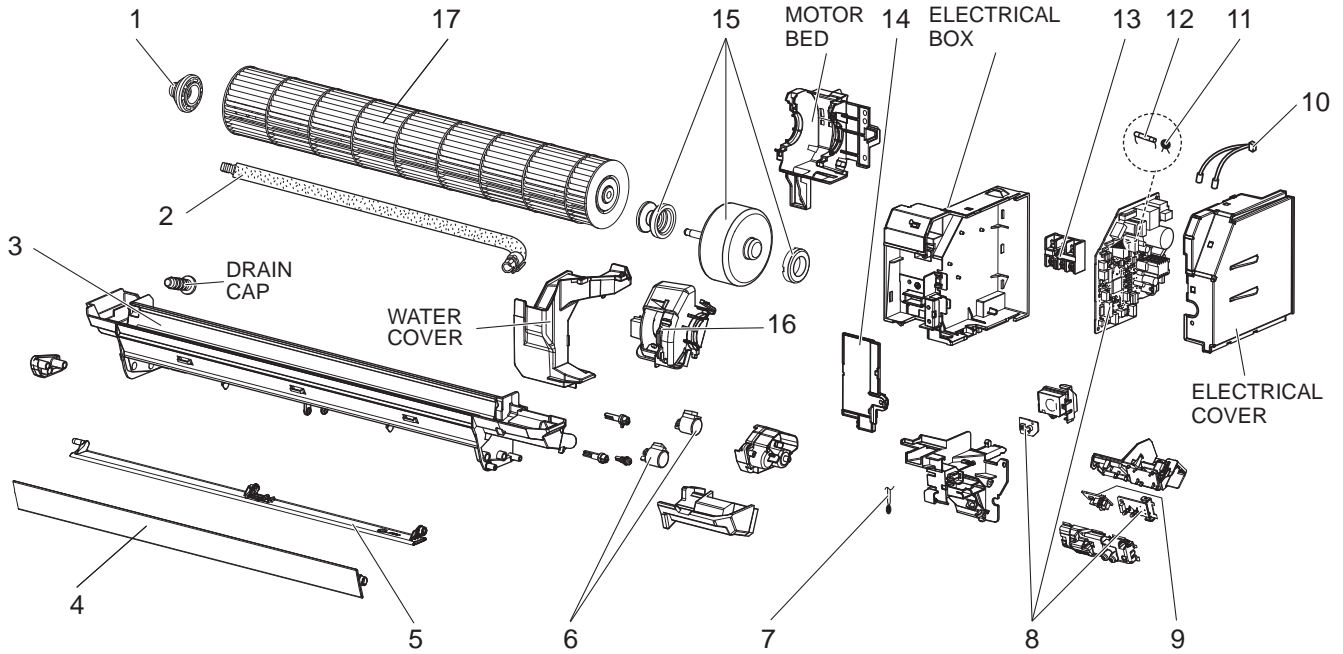
## 1-2. ACCESSORY AND REMOTE CONTROLLER

No.	RoHS	Part No.	Part name	Symbol in Wiring Diagram	Q'ty/unit				Remarks
					MSZ-AP				
					15VF- <u>E1</u>	15VF- <u>ER1</u>	20VF- <u>E1</u>	20VF- <u>ER1</u>	
10	G	E12 31D 426	REMOTE CONTROLLER		1	1	1	1	SG18A

# RoHS PARTS LIST

MSZ-AP15VF - [E1], [ER1] MSZ-AP20VF - [E1], [ER1]

## 1-3. INDOOR UNIT ELECTRICAL PARTS AND FUNCTIONAL PARTS



# RoHS PARTS LIST

## 1-3. INDOOR UNIT ELECTRICAL PARTS AND FUNCTIONAL PARTS

No.	RoHS	Part No.	Part name	Symbol in Wiring Diagram	Q'ty/unit				Remarks
					MSZ-AP				
					15VF- <u>E1</u>	15VF- <u>ER1</u>	20VF- <u>E1</u>	20VF- <u>ER1</u>	
1	G	E12 A89 509	BEARING MOUNT ASSEMBLY		1	1	1	1	Including sleeve bearing
2	G	E12 K90 702	DRAIN HOSE		1	1	1	1	
3	G	E12 31D 235	NOZZLE ASSEMBLY		1	1	1	1	
4	G	E12 31D 040	VANE UPPER		1	1	1	1	
5	G	E12 31D 041	VANE LOWER		1	1	1	1	
6	G	E12 A89 303	VANE MOTOR	MV1/MV2	2	2	2	2	UP & DOWN
7	G	E12 K90 308	ROOM TEMPERATURE THERMISTOR	RT11	1	1	1	1	
8	G	E12 31D 452	ELECTRONIC CONTROL P.C. BOARD ※1		1	1			
	G	E12 32D 452					1	1	
9	G	E12 K90 468	POWER MONITOR RECEIVER P.C. BOARD		1	1	1	1	
10	G	E12 K90 307	INDOOR COIL THERMISTOR	RT12, RT13	1	1	1	1	
11	G	E12 K90 385	VARISTOR	NR11	1	1	1	1	
12	G	E12 A49 382	FUSE	F11	1	1	1	1	T3.15AL250V
13	G	E12 K90 375	TERMINAL BLOCK	TB	1	1	1	1	
14	G	E12 K90 784	V.A. CLAMP		1	1	1	1	
15	G	E12 K90 300	INDOOR FAN MOTOR ※2	MF11	1	1	1	1	RC0J40-□□
16	G	E12 K90 333	MOTOR BAND		1	1	1	1	
17	G	E12 K90 302	LINE FLOW FAN		1	1	1	1	

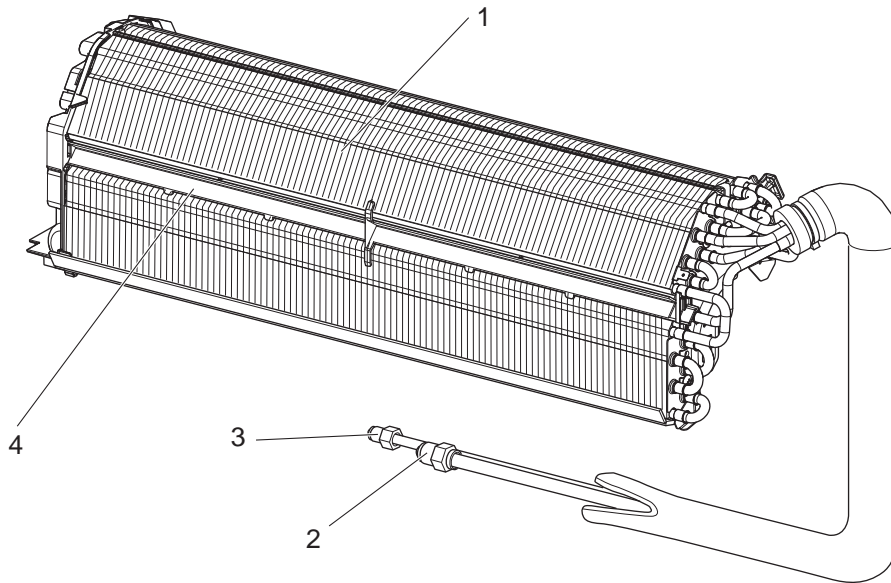
※1 Including SW P.C. BOARD and DISPLAY P.C. BOARD

※2 Including FAN MOTOR RUBBER MOUNT (2 PC/SET)

# RoHS PARTS LIST

MSZ-AP15VF - E1, ER1 MSZ-AP20VF - E1, ER1

## 1-4. INDOOR UNIT HEAT EXCHANGER



No.	RoHS	Part No.	Part name	Symbol in Wiring Diagram	Q'ty/unit				Remarks
					MSZ-AP				
					15VF- <span>E1</span>	15VF- <span>ER1</span>	20VF- <span>E1</span>	20VF- <span>ER1</span>	
1	G	E12 K90 620	INDOOR HEAT EXCHANGER		1	1	1	1	No. 4 is not included.
2	G	E12 151 666	UNION (GAS)		1	1	1	1	ø9.52
3	G	E12 151 667	UNION (LIQUID)		1	1	1	1	ø6.35
4	G	E12 K90 707	DRAIN PLATE ASSEMBLY		1	1	1	1	



# **mitsubishi electric corporation**

HEAD OFFICE: TOKYO BLDG., 2-7-3, MARUNOUCHI, CHIYODA-KU, TOKYO 100-8310, JAPAN

© Copyright 2018 MITSUBISHI ELECTRIC CORPORATION

Published: Jan.2018. No. OBB799

Made in Japan

Specifications are subject to change without notice.