

PARTS CATALOG R410A

Outdoor unit
[Model Name]

PUHZ-ZRP200YKA3

[Service Ref.]

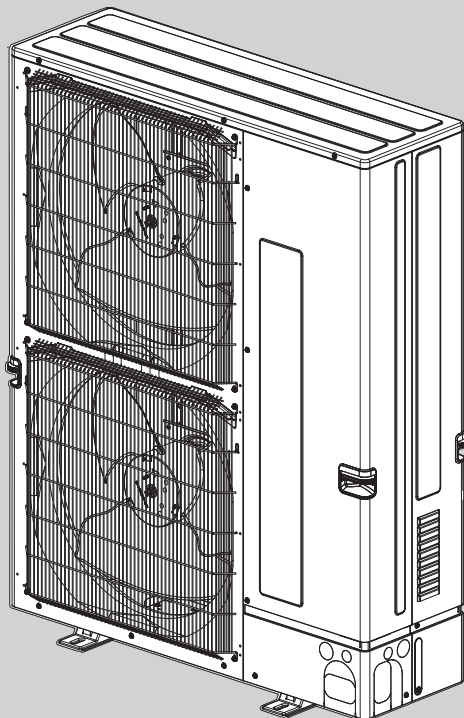
PUHZ-ZRP200YKA3.UK

PUHZ-ZRP250YKA3

PUHZ-ZRP250YKA3.UK

Note:

- RoHS compliant products have <G> mark on the spec name plate.



CONTENTS

1. RoHS PARTS LIST 2

SERVICE MANUAL (OCH680)

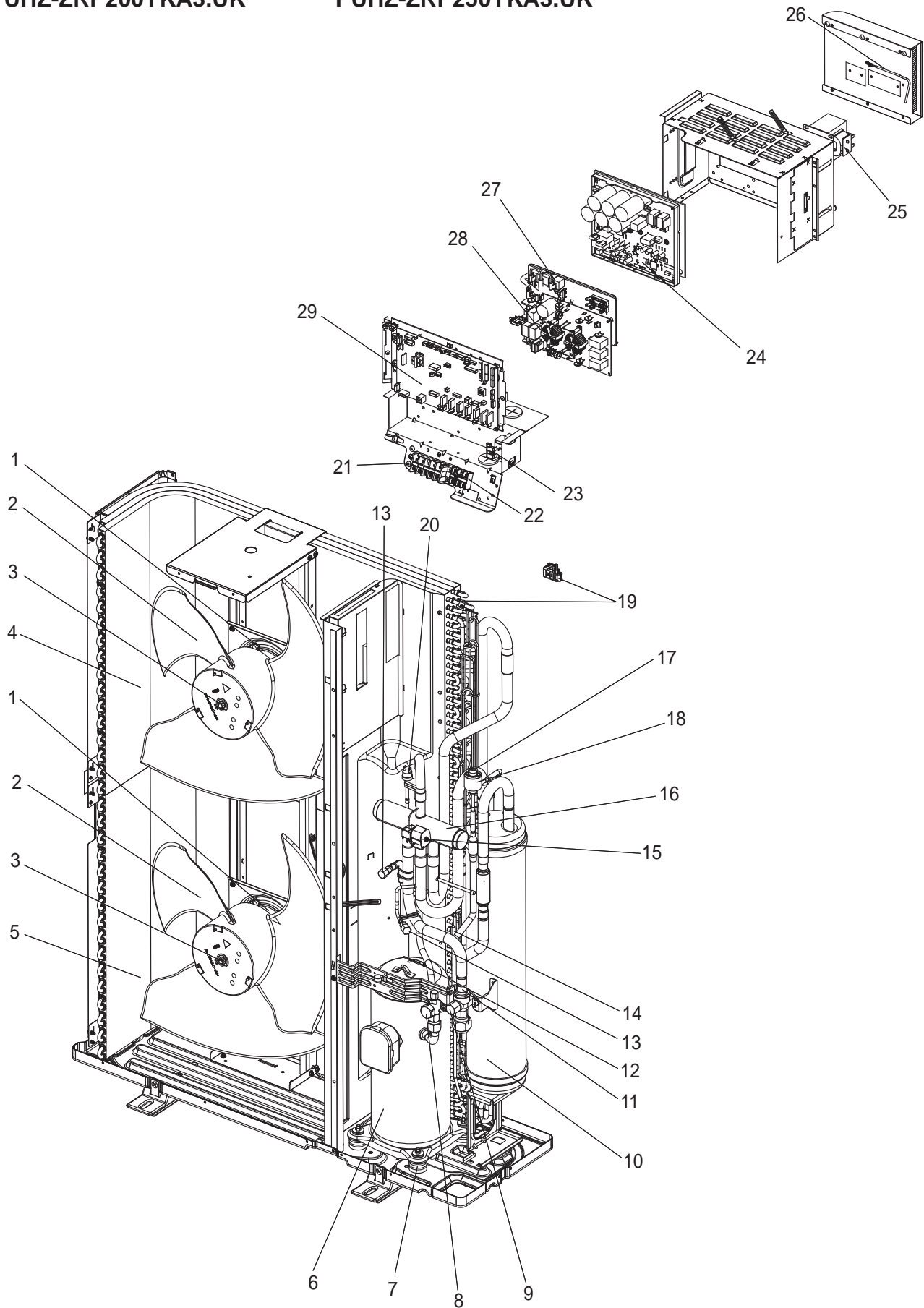
Mr. SLIM

RoHS PARTS LIST

FUNCTIONAL AND ELECTRICAL PARTS

PUHZ-ZRP200YKA3.UK

PUHZ-ZRP250YKA3.UK



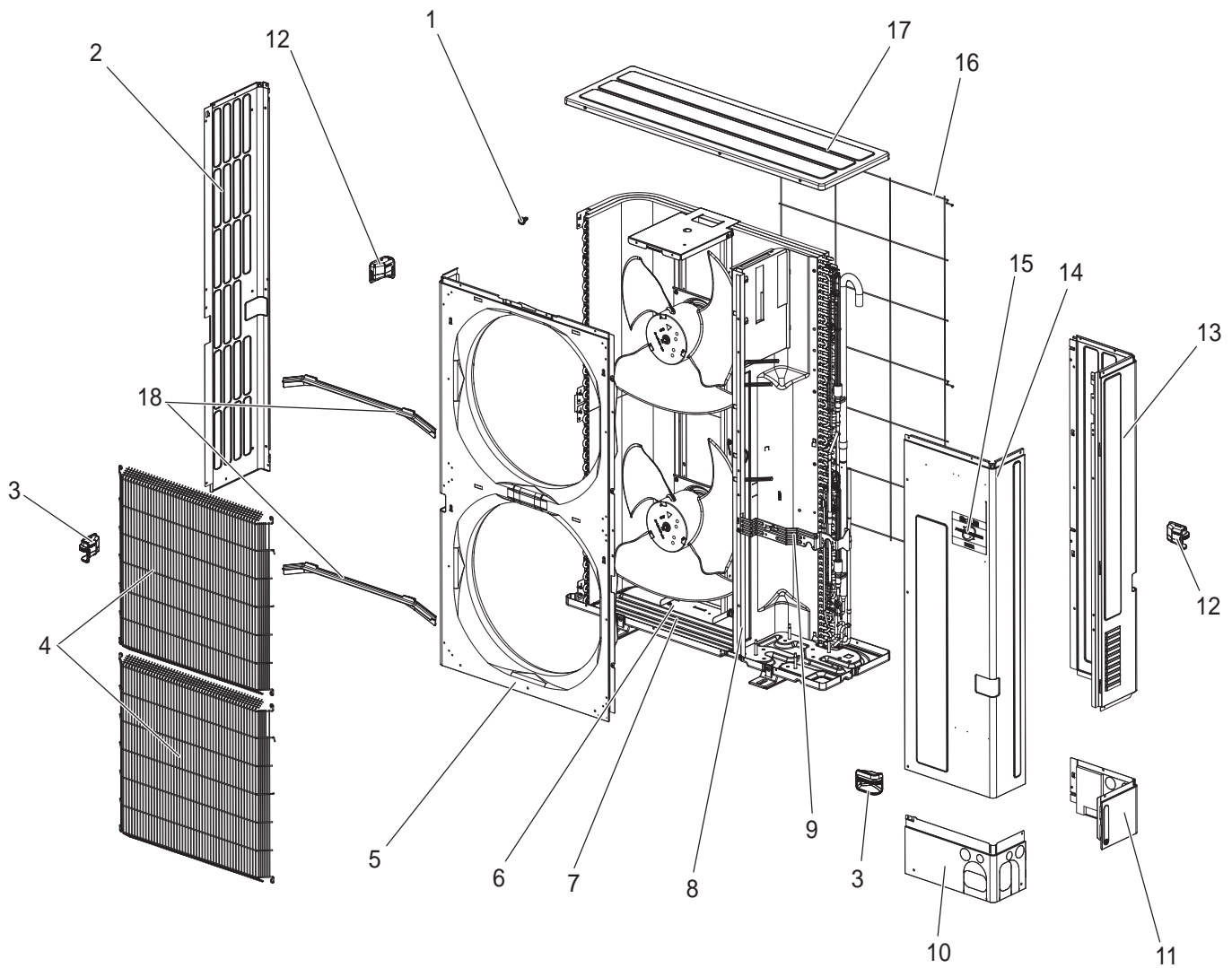
RoHS PARTS LIST

No.	RoHS	Parts No.	Parts Name	Specification	Q'ty/unit		Remarks (Drawing No.)	Wiring Diagram Symbol
					PUHZ-ZRP200YKA3.UK	PUHZ-ZRP250YKA3.UK		
1	G	S70 E90 763	FAN MOTOR		2	2		MF1,2
2	G	S70 E50 115	PROPELLER FAN		2	2		
3	G	S70 K01 097	NUT		2	2		
4	G	S70 E36 408	HEAT EXCHANGER (TOP)		1	1		
5	G	S70 E37 408	HEAT EXCHANGER (UNDER)		1	1		
6	G	S70 E70 400	COMPRESSOR	ANB52FRNMT	1	1		MC
7	G	S70 E02 004	RUBBER MOUNT	1 PC/ SET	4	4		
8	G	S70 600 418	STOP VALVE (LIQUID)	3/8"	1			
	G	S70 700 418	STOP VALVE (LIQUID)	1/2"		1		
9	G	S70 E08 411	BALL VALVE (GAS)	3/4"	1	1		
10	G	S70 E95 440	ACCUMULATOR		1	1		
11	G	S70 42L 450	STRAINER	50#	1	1		
12	G	S70 E69 202	THERMISTOR	Comp. surface	1	1		TH32
13	G	S70 E02 413	CHARGE PLUG		2	2		
14	G	S70 E58 202	THERMISTOR	Liquid	1	1		TH3
15	G	S70 E09 242	SOLENOID COIL <4-WAY VALVE>		1	1		21S4
16	G	S70 E06 403	4-WAY VALVE		1	1		
17	G	S70 E15 401	EXPANSION VALVE	UKV-32D	1	1		
18	G	S70 E30 402	LINEAR EXPANSION VALVE COIL	UKV-A277	1	1	CONNECTOR: WHITE	LEV-A
19	G	S70 E31 202	THERMISTOR	Ambient, 2-phase pipe	1	1		TH6,7
20	G	S70 E10 208	HIGH PRESSURE SWITCH	OFF 4.14 MPA	1	1		63H
21	G	S70 E09 716	TERMINAL BED	5P(L1,L2,L3 N,E)	1	1		TB1
22	G	S70 E08 716	TERMINAL BED	3P(S1,S2,S3)	1	1		TB2
23	G	S70 K25 259	REACTOR		1	1		ACL4
24	G	S70 E45 313	POWER CIRCUIT BOARD		1	1		P.B.
25	G	S70 K35 259	REACTOR		1	1		DCL
26	G	S70 E55 202	THERMISTOR	Heat sink	1	1		TH8
27	G	S70 E20 234	RESISTOR		1	1		RS
28	G	S70 E70 346	NOISE FILTER CIRCUIT BOARD		1	1		N.F.
29	G	S70 E89 315	CONTROLLER CIRCUIT BOARD		1	1		C.B.

RoHS PARTS LIST

STRUCTURAL PARTS
PUHZ-ZRP200YKA3.UK

PUHZ-ZRP250YKA3.UK



RoHS PARTS LIST

No.	RoHS	Parts No.	Parts Name	Specification	Q'ty/unit		Remarks (Drawing No.)
					PUHZ-ZRP200YKA3.UK	PUHZ-ZRP250YKA3.UK	
1	G	—	F.ST SCREW	(5×12)	45	45	(DG12F536H12)
2	G	S70 E17 662	SIDE PANEL (L)		1	1	
3	G	S70 E20 655	HANDLE (FRONT)		2	2	
4	G	S70 E40 675	FAN GRILLE		2	2	
5	G	S70 E61 668	FRONT PANEL		1	1	
6	G	S70 E95 130	MOTOR SUPPORT		1	1	
7	G	S70 E91 686	BASE ASSY		1	1	
8	G	—	SEPARATOR		1	1	(BK00N021G60)
9	G	—	VALVE BED ASSY		1	1	(BK00R803G03)
10	G	S70 E55 658	COVER PANEL (FRONT)		1	1	
11	G	S70 E65 658	COVER PANEL (REAR)		1	1	
12	G	S70 E30 655	HANDLE (REAR)		2	2	
13	G	S70 E18 662	SIDE PANEL (R)		1	1	
14	G	S70 E47 661	SERVICE PANEL		1	1	
15	G	S70 E40 699	LABEL (BRAND)		1	1	
16	G	S70 E30 698	REAR GUARD		1	1	
17	G	S70 E40 641	TOP PANEL		1	1	
18	G	S70 E10 631	ICE GUARD		2	2	

Mr. SLIM

mitsubishi electric corporation

HEAD OFFICE : TOKYO BUILDING, 2-7-3, MARUNOUCHI, CHIYODA-KU, TOKYO 100-8310, JAPAN