

SPLIT-TYPE AIR CONDITIONERS

INDOOR UNIT

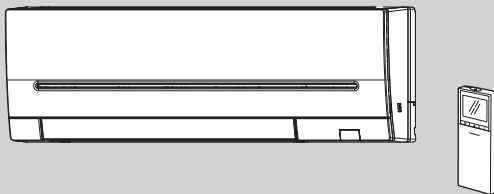
No. OBB838

PARTS CATALOG

Models

MSZ-AP15VG - E1, ET1

MSZ-AP20VG - E1, ET1



CONTENTS

1. SERVICE PARTS LIST..... 2

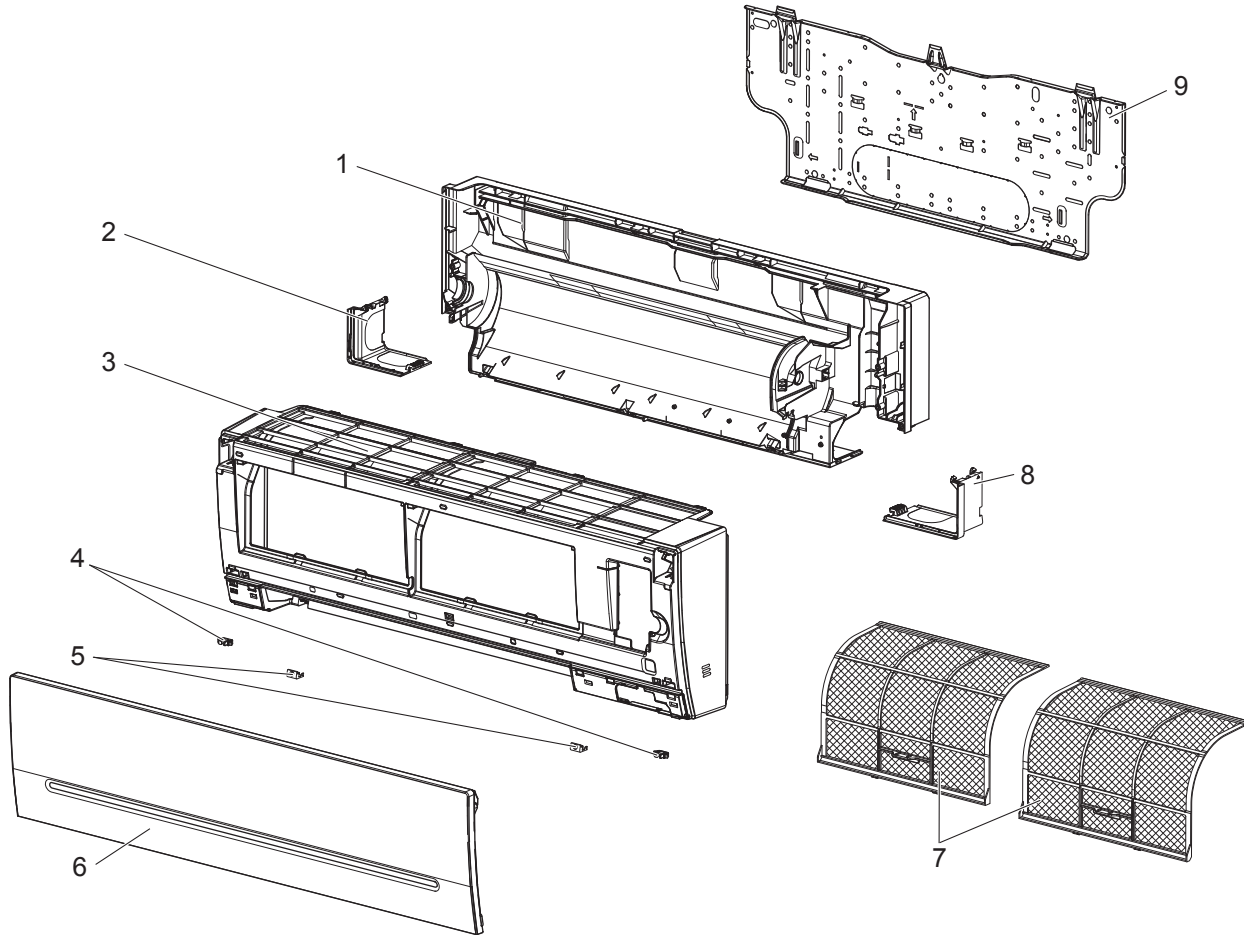
SERVICE MANUAL (OBH838)

1

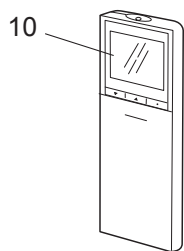
SERVICE PARTS LIST

MSZ-AP15VG - [E1], [ET1] MSZ-AP20VG - [E1], [ET1]

1-1. INDOOR UNIT STRUCTURAL PARTS



1-2. ACCESSORY AND REMOTE CONTROLLER



1-1. INDOOR UNIT STRUCTURAL PARTS

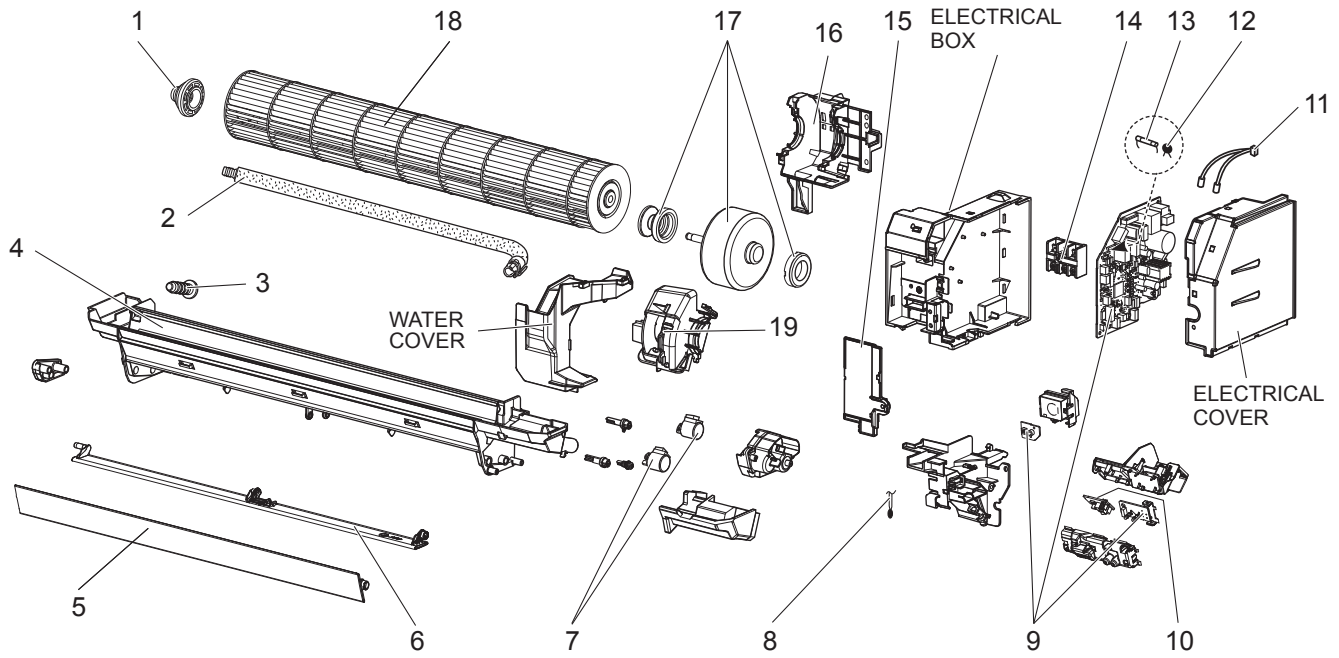
No.	Part No.	Part name	Symbol in Wiring Diagram	Q'ty/unit				Remarks
				MSZ-AP				
				15VG- <u>E1</u>	15VG- <u>ET1</u>	20VG- <u>E1</u>	20VG- <u>ET1</u>	
1	E22 31D 234	BOX ASSEMBLY		1	1	1	1	
2	E22 31D 976	CORNER BOX (LEFT)		1	1	1	1	
3	E22 31D 000	PANEL ASSEMBLY		1		1		Includes No. 4, 5 and 6
	E22 44J 000	PANEL ASSEMBLY			1		1	
4	E22 K90 142	CATCH		2	2	2	2	2 PCS/SET
5	E22 31D 067	SCREW CAP		2	2	2	2	2 PCS/SET
6	E22 31D 010	FRONT PANEL ASSEMBLY		1	1	1	1	
7	E22 K90 100	AIR FILTER		2	2	2	2	1 PC/SET
8	E22 31D 975	CORNER BOX (RIGHT)		1	1	1	1	
9	E22 K90 970	INSTALLATION PLATE		1	1	1	1	

1-2. ACCESSORY AND REMOTE CONTROLLER

No.	Part No.	Part name	Symbol in Wiring Diagram	Q'ty/unit				Remarks
				MSZ-AP				
				15VG- <u>E1</u>	15VG- <u>ET1</u>	20VG- <u>E1</u>	20VG- <u>ET1</u>	
10	E22 42J 426	REMOTE CONTROLLER		1	1	1	1	SG19C

MSZ-AP15VG - E1, ET1 MSZ-AP20VG - E1, ET1

1-3. INDOOR UNIT ELECTRICAL PARTS AND FUNCTIONAL PARTS

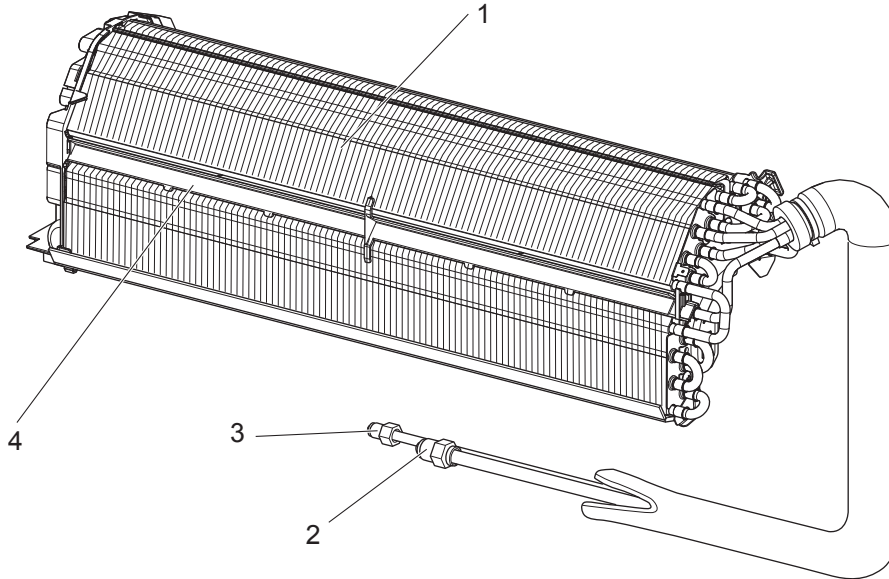


1-3. INDOOR UNIT ELECTRICAL PARTS AND FUNCTIONAL PARTS

No.	Part No.	Part name	Symbol in Wiring Diagram	Q'ty/unit				Remarks
				MSZ-AP				
				15VG- E1	15VG- ET1	20VG- E1	20VG- ET1	
1	E22 A89 509	BEARING MOUNT ASSEMBLY		1	1	1	1	Includes sleeve bearing
2	E22 K90 702	DRAIN HOSE		1	1	1	1	
3	-	DRAIN CAP		1	1	1	1	SU26R611H01
4	E22 31D 235	NOZZLE ASSEMBLY		1	1	1	1	
5	E22 31D 040	VANE UPPER		1	1	1	1	
6	E22 31D 041	VANE LOWER		1	1	1	1	
7	E22 A89 303	VANE MOTOR	MV1, MV2	2	2	2	2	UP & DOWN
8	E22 K90 308	ROOM TEMPERATURE THERMISTOR	RT11	1	1	1	1	
9	E22 42J 452	ELECTRONIC CONTROL P.C. BOARD		1	1			Includes SW P.C. BOARD and DISPLAY P.C. BOARD
	E22 43J 452					1	1	
10	E22 K90 468	POWER MONITOR RECEIVER P.C. BOARD		1	1	1	1	
11	E22 K90 307	INDOOR COIL THERMISTOR	RT12, RT13	1	1	1	1	
12	E22 K90 385	VARISTOR	NR11	1	1	1	1	
13	E22 42J 382	FUSE	F11	1	1	1	1	T3.15AL250V
14	E22 K90 375	TERMINAL BLOCK	TB	1	1	1	1	
15	E22 K90 784	V.A. CLAMP		1	1	1	1	
16	E22 42J 333	MOTOR BED		1	1	1	1	
17	E22 42J 300	INDOOR FAN MOTOR	MF	1	1	1	1	RC0J30-□□ Includes FAN MOTOR RUBBER MOUNT (2 PC/SET)
18	E22 K90 302	LINE FLOW FAN		1	1	1	1	
19	E22 K90 333	MOTOR BAND		1	1	1	1	

MSZ-AP15VG - E1, ET1 MSZ-AP20VG - E1, ET1

1-4. INDOOR UNIT HEAT EXCHANGER



No.	Part No.	Part name	Symbol in Wiring Diagram	Q'ty/unit				Remarks
				MSZ-AP				
				15VG- E1	15VG- ET1	20VG- E1	20VG- ET1	
1	E22 K90 620	INDOOR HEAT EXCHANGER		1	1	1	1	
2	E22 151 666	UNION (GAS)		1	1	1	1	ø9.52
3	E22 151 667	UNION (LIQUID)		1	1	1	1	ø6.35
4	E22 K90 707	DRAIN PLATE ASSEMBLY		1	1	1	1	

MITSUBISHI ELECTRIC CORPORATION

HEAD OFFICE: TOKYO BUILDING., 2-7-3, MARUNOUCHI, CHIYODA-KU, TOKYO 100-8310, JAPAN

© Copyright 2019 MITSUBISHI ELECTRIC CORPORATION
 Published: Apr. 2019. No. OBB838
 Made in Japan

Specifications are subject to change without notice.