

**Revision A:**

• MFZ-KT25/35/50/60VG-ET1 have been added.

OBB843 is void.

## INDOOR UNIT

**No. OBB843  
REVISED EDITION-A**

# PARTS CATALOG

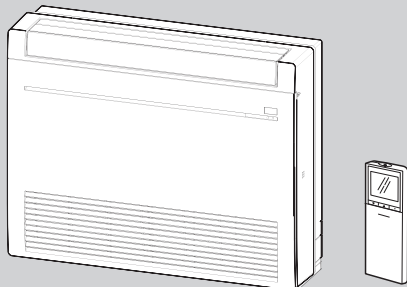
### Models

**MFZ-KT25VG** - E1, ET1

**MFZ-KT35VG** - E1, ET1

**MFZ-KT50VG** - E1, ET1

**MFZ-KT60VG** - E1, ET1



**MFZ-KT25VG  
MFZ-KT35VG  
MFZ-KT50VG  
MFZ-KT60VG**

### CONTENTS

- |                            |   |
|----------------------------|---|
| 1. SERVICE PARTS LIST..... | 2 |
| 2. OPTIONAL PARTS.....     | 6 |

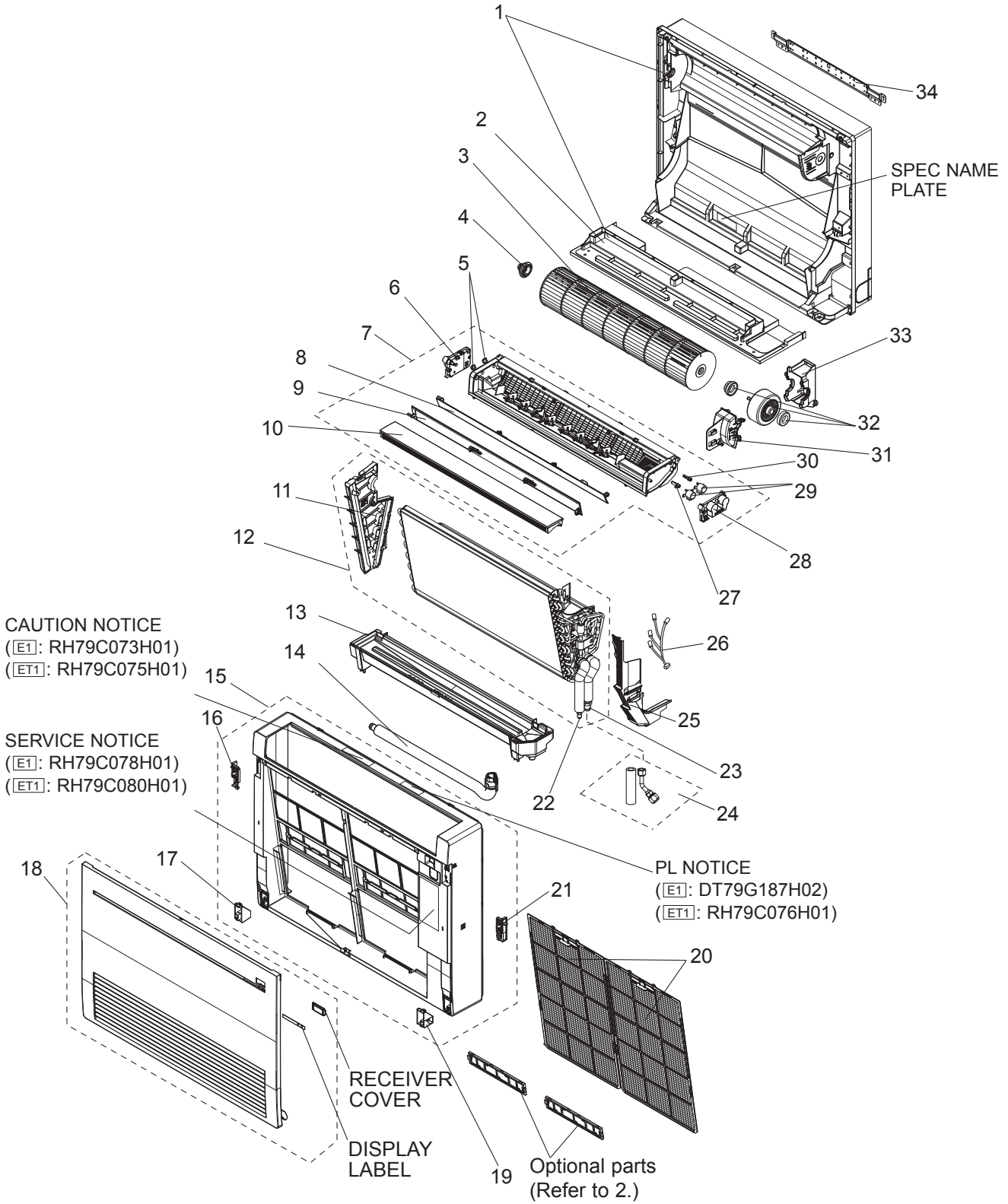
**SERVICE MANUAL (OBH843)**

# 1

# SERVICE PARTS LIST

MFZ-KT25VG MFZ-KT35VG MFZ-KT50VG MFZ-KT60VG

## 1-1. INDOOR UNIT STRUCTURAL PARTS, HEAT EXCHANGER AND FUNCTIONAL PARTS

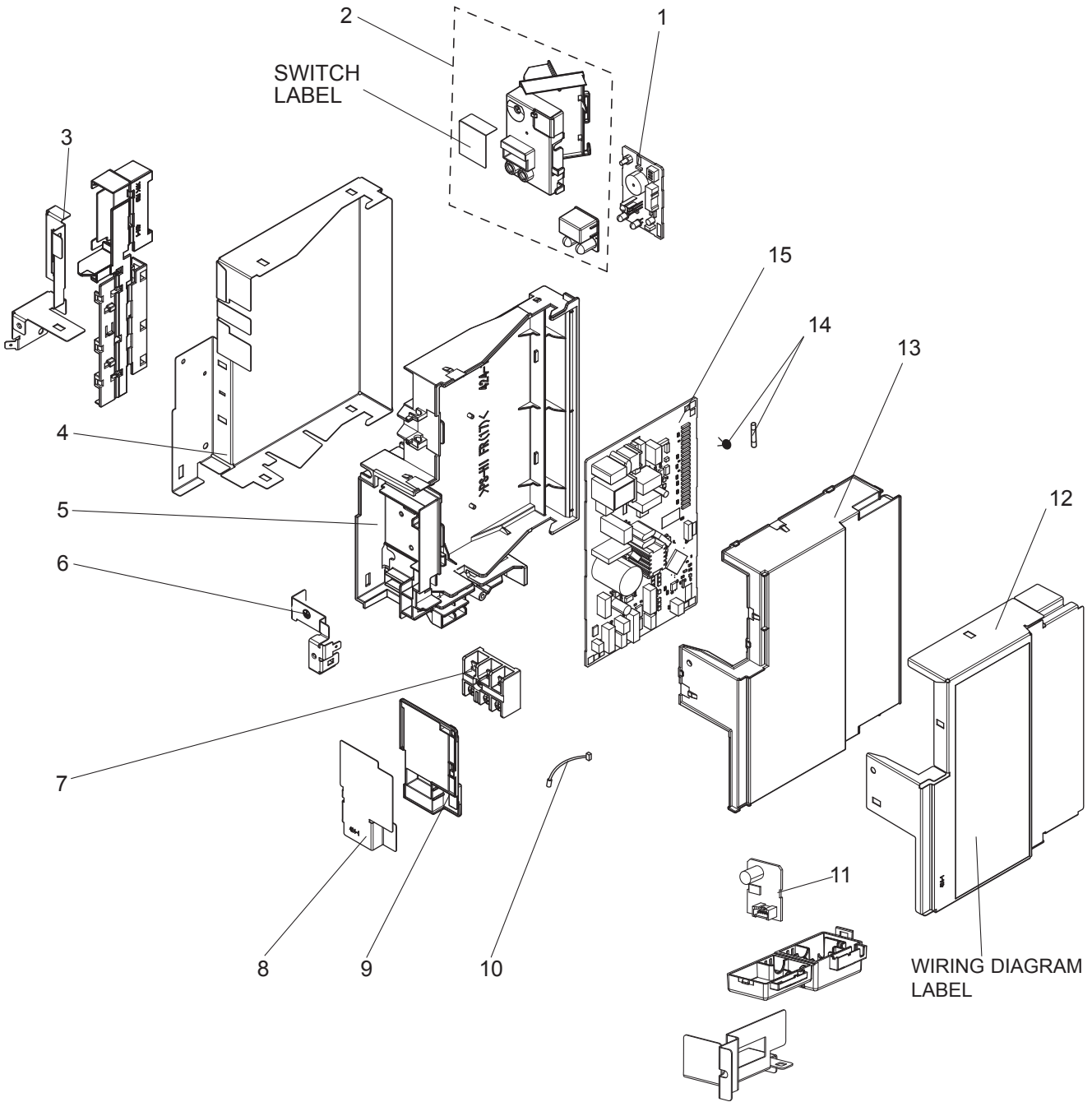


## 1-1. INDOOR UNIT STRUCTURAL PARTS, HEAT EXCHANGER AND FUNCTIONAL PARTS

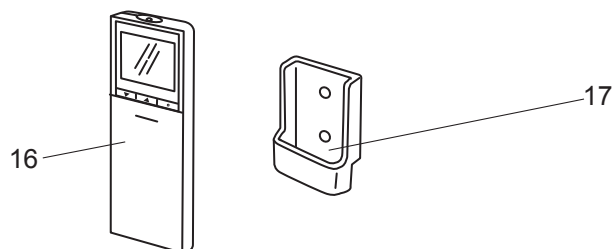
Part numbers that are circled are not shown in the illustration.

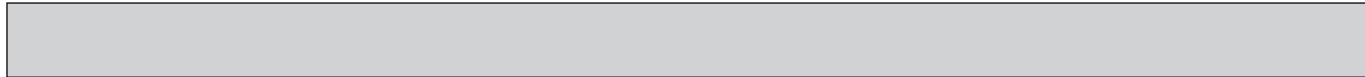
No.	Part No.	Part name	Symbol in Wiring Diagram	Q'ty/unit								Remarks		
				MFZ-KT										
				25VG-		35VG-		50VG-		60VG-				
E1	ET1	E1	ET1	E1	ET1	E1	ET1							
1	M21 EBJ 234 M21 EBK 234	BOX ASSEMBLY		1		1		1		1		1		Includes base without spec name plate
2	—	BASE		1	1	1	1	1	1	1	1	1	1	SQ25A544G03
3	M21 EAA 302	LINE FLOW FAN ASSEMBLY		1	1	1	1	1	1	1	1	1	1	
4	M21 EA3 509	BEARING ASSEMBLY		1	1	1	1	1	1	1	1	1	1	
5	M21 EA5 071	VANE SLEEVE		2	2	2	2	2	2	2	2	2	2	
6	M21 EA4 306	MULTI-FLOW VANE MOTOR UNIT	MV3	1	1	1	1	1	1	1	1	1	1	
7	M21 EAY 235	NOZZLE ASSEMBLY		1	1	1	1	1	1	1	1	1	1	
8	M21 EAA 040	HORIZONTAL VANE (BACK)		1	1	1	1	1	1	1	1	1	1	
9	M21 EA9 040	HORIZONTAL VANE (FRONT)		1	1	1	1	1	1	1	1	1	1	
10	M21 EA8 040	MULTI-FLOW VANE		1	1	1	1	1	1	1	1	1	1	
11	—	HAIRPIN HOLDER ASSEMBLY		1	1	1	1	1	1	1	1	1	1	DQ00T279G04
12	M21 EJP 620 M21 EJR 620 M21 EJS 620	INDOOR HEAT EXCHANGER		1	1	1	1			1	1			
13	M21 EA5 700	DRAIN PAN ASSEMBLY		1	1	1	1	1	1	1	1	1	1	
14	M21 7K1 703	DRAIN HOSE ASSEMBLY		1	1	1	1	1	1	1	1	1	1	
15	T2W EC2 000 T2W EC4 000	PANEL ASSEMBLY		1		1		1		1		1		Includes notice
16	M21 EA0 099	HOOK (LEFT) ASSEMBLY		1	1	1	1	1	1	1	1	1	1	
17	M21 EA8 039	ARM HOLDER (LEFT)		1	1	1	1	1	1	1	1	1	1	
18	M21 EBR 010	FRONT PANEL		1	1	1	1	1	1	1	1	1	1	Includes receiver cover and display label
19	M21 EA9 039	ARM HOLDER (RIGHT)		1	1	1	1	1	1	1	1	1	1	
20	M21 EAS 100	AIR PURIFYING FILTER		2	2	2	2	2	2	2	2	2	2	
21	M21 EA1 099	HOOK (RIGHT) ASSEMBLY		1	1	1	1	1	1	1	1	1	1	
22	M21 L3V 664	UNION (LIQ)		1	1	1	1	1	1	1	1	1	1	φ6.35
23	M21 L3V 663 M21 L5V 663	UNION (GAS)		1	1	1	1			1	1			φ9.52 φ12.7
24	T2W EA1 938	JOINT PIPE										1	1	
25	—	WATER COVER		1	1	1	1	1	1	1	1	1	1	DQ00T288G03
26	M21 EBF 305 M21 EA9 305	INDOOR COIL THERMISTOR	RT12, RT13 RT12, RT13, RT14, RT15	1	1	1	1	1	1			1	1	
27	M21 EA5 049	VANE MOTOR SHAFT (FRONT)		1	1	1	1	1	1	1	1	1	1	
28	M21 EA1 506	VANE MOTOR SUPPORT		1	1	1	1	1	1	1	1	1	1	
29	M21 EA5 306	VANE MOTOR	MV1, MV2	2	2	2	2	2	2	2	2	2	2	
30	M21 EA6 049	VANE MOTOR SHAFT (BACK)		1	1	1	1	1	1	1	1	1	1	
31	M21 EA3 023	MOTOR BAND		1	1	1	1	1	1	1	1	1	1	
32	M21 EDD 300 M21 EAM 300	INDOOR FAN MOTOR ASSEMBLY INDOOR FAN MOTOR ASSEMBLY	MF MF	1	1	1	1			1	1	1	1	RC0J30- □ □ RC0J40- □ □
33	M21 EA3 791	MOTOR BED		1	1	1	1	1	1	1	1	1	1	
34	T2W L3V 233	BACK PLATE		1	1	1	1	1	1	1	1	1	1	
③⑤	—	LEAD WIRE ASSEMBLY		1	1	1	1	1	1	1	1	1	1	DY00C344G04 to terminal block
③⑥	—	LEAD WIRE ASSEMBLY		1	1	1	1	1	1	1	1	1	1	DY00C346G03 to vane motor
③⑦	—	LEAD WIRE ASSEMBLY		1	1	1	1	1	1	1	1	1	1	DY00C345G03 to display receiver P.C. board
③⑧	—	LEAD WIRE ASSEMBLY		1	1	1	1	1	1	1	1	1	1	RH78C059G01 to R32 sensor

**MFZ-KT25VG MFZ-KT35VG MFZ-KT50VG MFZ-KT60VG**  
**1-2. INDOOR UNIT ELECTRICAL PARTS**



**1-3. ACCESSORY AND REMOTE CONTROLLER**





### 1-2. INDOOR UNIT ELECTRICAL PARTS

No.	Part No.	Part name	Symbol in Wiring Diagram	Q'ty/unit								Remarks
				MFZ-KT								
				25VG-		35VG-		50VG-		60VG-		
E1	ET1	E1	ET1	E1	ET1	E1	ET1					
1	T2W EA7 328	DISPLAY RECEIVER P.C. BOARD		1	1	1	1	1	1	1	1	
2	T2W EAJ 012	SWITCH HOLDER SET		1	1	1	1	1	1	1	1	Includes switch label
3	—	TB COVER		1	1	1	1	1	1	1	1	DY02B654G01
4	—	PB COVER LEFT		1	1	1	1	1	1	1	1	DY02A632G03
5	—	PB BOX		1	1	1	1	1	1	1	1	DY25A631G06
6	—	EARTH PLATE		1	1	1	1	1	1	1	1	DY02B655G02
7	M21 EA3 376	TERMINAL BLOCK	TB	1	1	1	1	1	1	1	1	
8	—	VA CLAMP COVER		1	1	1	1	1	1	1	1	DK02B679G02
9	—	VA CLAMP		1	1	1	1	1	1	1	1	DK25B680G03
10	M21 EAA 305	ROOM TEMPERATURE THERMISTOR	RT11	1	1	1	1	1	1	1	1	
11	M21 EA0 334	R32 SENSOR		1	1	1	1	1	1	1	1	
12	—	PB COVER RIGHT		1	1	1	1	1	1	1	1	DK02A696G01 Without wiring diagram label
13	—	PB COVER		1	1	1	1	1	1	1	1	DK25A695G01
14	M21 EA5 313	FUSE VARISTOR SET	F11/NR11	1	1	1	1	1	1	1	1	T3.15AL250V
15	T2W F7Y 450	ELECTRONIC CONTROL P.C. BOARD		1	1							
	T2W F80 450					1	1					
	T2W F81 450							1	1			
	T2W F82 450									1	1	

### 1-3. ACCESSORY AND REMOTE CONTROLLER

No.	Part No.	Part name	Symbol in Wiring Diagram	Q'ty/unit								Remarks
				MFZ-KT								
				25VG-		35VG-		50VG-		60VG-		
E1	ET1	E1	ET1	E1	ET1	E1	ET1					
16	T2W EFF 426	REMOTE CONTROLLER		1	1	1	1	1	1	1	1	SG191
17	T2W EA0 083	REMOTE CONTROLLER HOLDER		1	1	1	1	1	1	1	1	

## SILVER-IONIZED AIR PURIFIER FILTER

### Every 3 months:

- Remove dirt by a vacuum cleaner.

### When dirt cannot be removed by vacuum cleaning:

- Soak the filter and its frame in lukewarm water before rinsing it.  
(Diluted mild detergents can be used when dirt cannot be removed.)
- After washing, dry it well in shade.

### Every year:

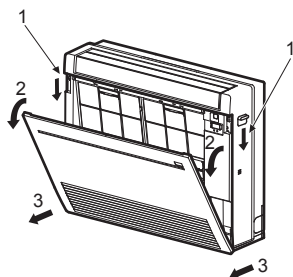
- Replace it with a new air cleaning filter for best performance.

Model	Part No.
MFZ-KT25VG- E1, ET1	MAC-2370FT-E
MFZ-KT35VG- E1, ET1	
MFZ-KT50VG- E1, ET1	
MFZ-KT60VG- E1, ET1	

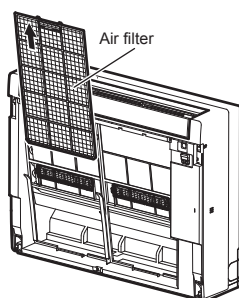
### Replacement of the air cleaning filter

#### (1) Remove the front panel.

1. Push down the tab on the both sides of the unit to open the front panel.
2. Pull the front panel toward you to remove it.
3. Open the front panel completely and remove it.

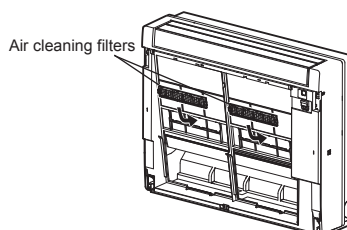


#### (2) Remove the air filter.

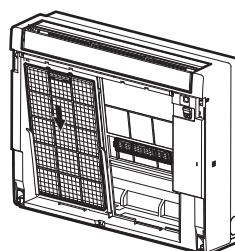


#### (3) Replace the air cleaning filter.

Fix the filter with the tabs securely.



#### (4) Install the air filter.



#### (5) Securely close the front panel.

Install the front panel by the removal procedure in reverse. Refer to (1) 1-3.

## MITSUBISHI ELECTRIC CORPORATION

HEAD OFFICE: TOKYO BUILDING, 2-7-3, MARUNOUCHI, CHIYODA-KU, TOKYO 100-8310, JAPAN