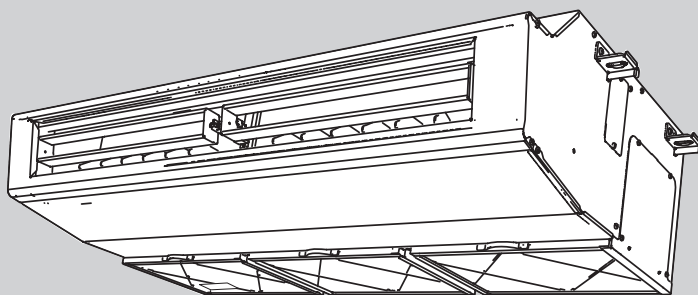


PARTS CATALOG

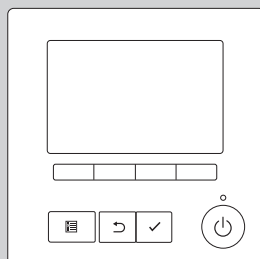
Series PCA Ceiling Suspended R32/R410A

Indoor unit	
[Model Name]	[Service Ref.]
PCA-M71HA	PCA-M71HA
PCA-M71HA-ET	PCA-M71HA-ET



INDOOR UNIT

Model name
indication



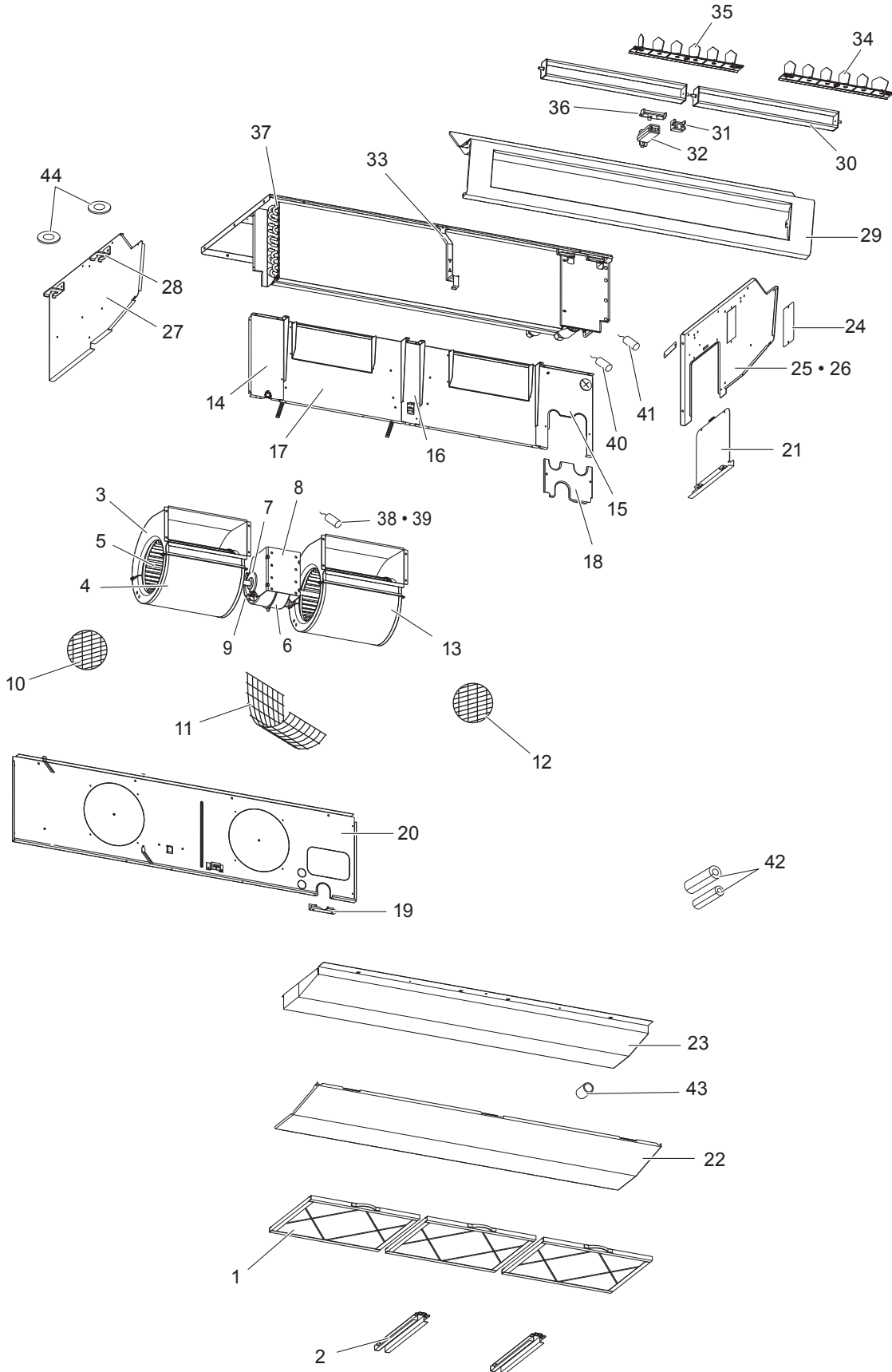
REMOTE CONTROLLER
(Option)

CONTENTS

1. SERVICE PARTS LIST.....2

SERVICE MANUAL (OCH725)

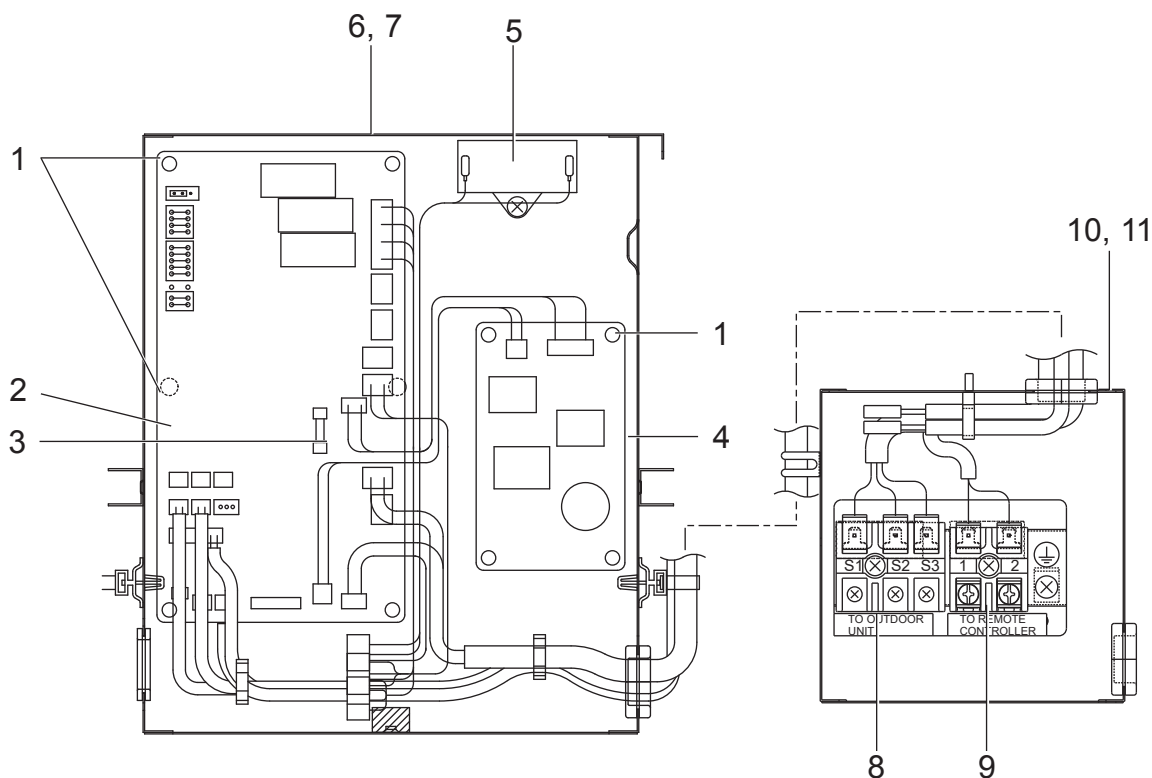
STRUCTURAL PART



7CH01-A00ES

No.	Parts No.	Parts Name	Specification	Q'ty/unit	Remarks (Drawing No.)	Wiring Diagram Symbol
				PCA-M71HA(-ET)		
1	R 01 15 N 500	OIL FILTER		3		
2	R 01 14 N 503	FILTER RAIL		2		
3	—	TOP CASING		2	(BG00N842G08)	
4	—	UNDER CASING-L		1	(RG00N270G15)	
5	R 01 14 N 114	SIROCCO FAN		2		
6	T 7W H 4N 762	FAN MOTOR		1		MF1
7	R 01 14 N 105	RUBBER MOUNT		2		
8	R 01 E 68 130	MOTOR LEG		1		
9	R 01 14 N 126	MOTOR BAND (R. L)		1	LEFT&RIGHT	
10	T 7W 18 N 675	FAN GUARD-L		1		
11	T 7W 15 N 675	FAN GUARD-L		1		
12	T 7W 17 N 675	FAN GUARD-R		1		
13	—	UNDER CASING-R		1	(RG00N270G13)	
14	—	FAN PLATE SUPPORT-L		1	(BG00N893G13)	
15	—	FAN PLATE SUPPORT-R		1	(BG00N893G17)	
16	—	FAN PLATE SUPPORT-C		1	(BG00N893G14)	
17	—	FAN PLATE		1	(BG00N756G19)	
18	—	PIPE SUPPORT		1	(BG02T500H04)	
19	—	DRAIN HOSE SUPPORT		1	(BG00K145G02)	
20	—	REAR PANEL		1	(BG00T775G34)	
21	—	SIDE COVER		1	(BG02T501G08)	
22	—	UNDER PANEL		1	(BG00T776G20uc)	
23	R 01 15 N 529	DRAIN PAN		1		
24	—	SERVICE PANEL		1	(BG00N895G29)	
25	—	SIDE PANEL-R		1	(BG00N895G33)	
26	—	LEG-R		2	(BG02K006H02)	
27	—	SIDE PANEL-L		1	(BG00N895G31uc)	
28	—	LEG-L		2	(BG02K006K02)	
29	T 7W 24 N 651	FRONT PANEL		1		H2
30	R 01 15 N 002	VANE ASSY		2		
31	—	VANE HOLDER		1	(BG25K094H04)	
32	—	VANE SUPPORT		1	(BG00K146G03)	
33	—	FRONT SUPPORT		1	(BG00T773G02)	
34	—	GUIDE VANE ASSY-6R		1	(BG00R476G59)	
35	—	GUIDE VANE ASSY-6L		1	(BG00R476G60)	
36	—	VANE STOPPER		1	(BG25K262H04)	
37	T 7W C 07 480	HEAT EXCHANGER		1		
38	—	HOLDER		1	(BC25G432H01)	
39	R 01 HR 3 202	THERMISTOR (ROOM)		1		TH1
40	R 01 16 N 202	THERMISTOR-H		1		TH2
41	R 01 HR 5 202	THERMISTOR-2/G		1		TH5
42	R 01 E 06 660	PIPE COVERS SET		1		
43	R 01 W 33 527	DRAIN HOSE & COVER		1		
44	R 01 E 13 097	WASHERS SET		1	8pcs/set	

ELECTRICAL PARTS



7CH00-E00ES

No.	Parts No.	Parts Name	Specification	Q'ty/unit	Remarks (Drawing No.)	Wiring Diagram Symbol
				PCA-M71HA(-ET)		
1	R01 20J 054	SUPPORT & SPACER		8		
2	T7W E95 310	CONTROLLER BOARD		1		I.B
3	R01 E06 239	FUSE 6.3A 250V	6.3A 250V	1		FUSE
4	R01 E38 313	POWER BOARD		1		P.B
5	R01 14N 255	RUN CAPACITOR 2.5 MF	2.5 μ F, 440V	1		C1
6	—	CONTROL BOX COVER		1	(BG02N713H07)	
7	—	CONTROL BOX DWG		1	(BG00N800G24)	
8	R01 E20 246	T.B./S1.S2.S3	3P(S1, S2, S3)	1		TB4
9	R01 E48 246	T.B./1.2	2P(1, 2)	1		TB5
10	—	TERMINAL BOX DWG		1	(BG00T759G36)	
11	—	TERMINAL BLOCK COVER		1	(RG00L681G11)	

MITSUBISHI ELECTRIC CORPORATION

HEAD OFFICE: TOKYO BUILDING, 2-7-3, MARUNOUCHI, CHIYODA-KU, TOKYO 100-8310, JAPAN