



**MITSUBISHI  
ELECTRIC**

INTERFACE

July 2019

**No. OCB572**  
REVISED EDITION-C

# PARTS CATALOG

[Model Name]	[Service Ref.]
PAC-IF061B-E	<b>PAC-IF061B-E</b>
	<b>PAC-IF061B-ER1</b>
	<b>PAC-IF061B-ER2</b>
PAC-IF062B-E	<b>PAC-IF062B-E</b>
	<b>PAC-IF062B-ER1</b>
	<b>PAC-IF062B-ER2</b>
PAC-IF063B-E	<b>PAC-IF063B-E</b>
	<b>PAC-IF063B-ER2</b>

Revision:

- Some descriptions have been modified in REVISED EDITION-C.

OCB572 REVISED EDITION-B is void.

---

## CONTENTS

---

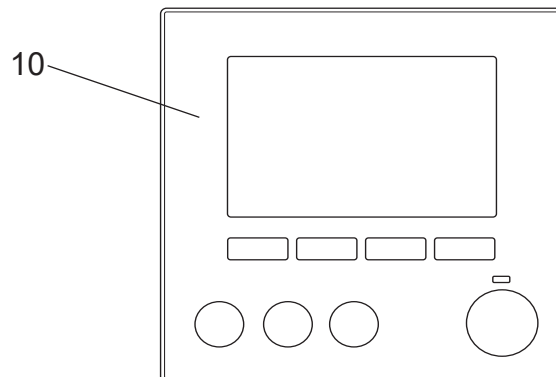
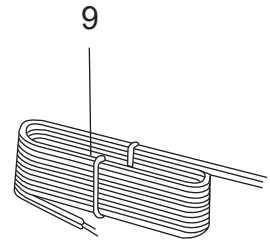
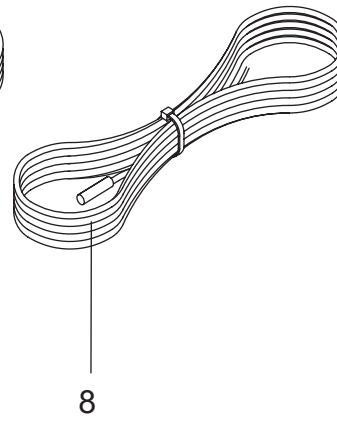
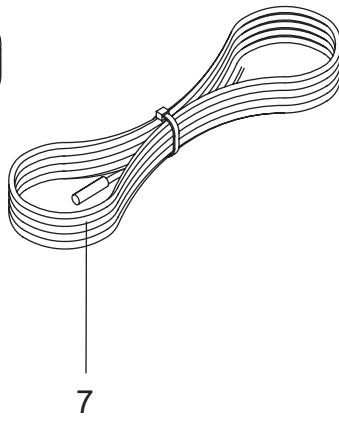
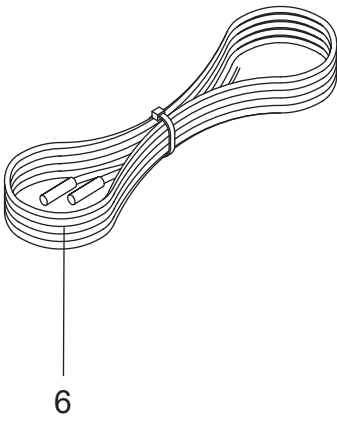
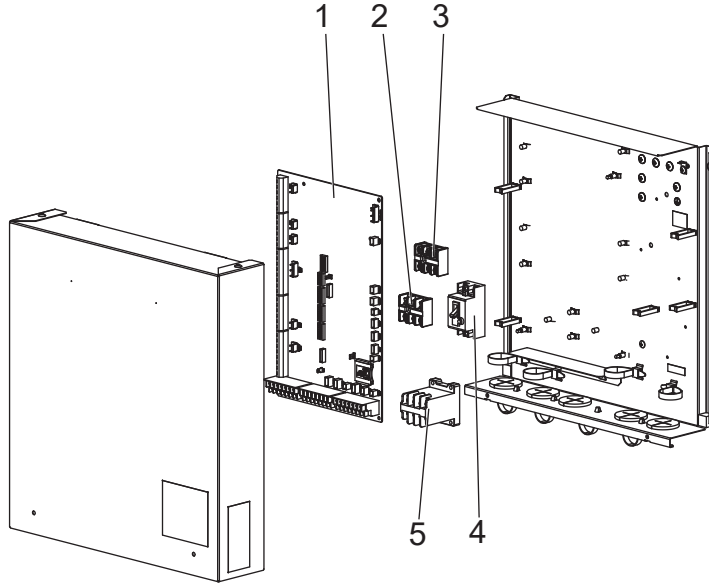
1. SERVICE PARTS LIST .....	2
2. OPTIONAL PARTS .....	4

# SERVICE PARTS LIST

PAC-IF061B-E  
PAC-IF061B-ER1  
PAC-IF061B-ER2

PAC-IF062B-E  
PAC-IF062B-ER1  
PAC-IF062B-ER2

PAC-IF063B-E  
PAC-IF063B-ER2





No	Parts No.	Parts Name	Specification	Q'ty/unit								Remarks	Wiring diagram symbol	
				PAC-IF061B-E	PAC-IF061B-ER1	PAC-IF061B-ER2	PAC-IF062B-E	PAC-IF062B-ER1	PAC-IF062B-ER2	PAC-IF063B-E	PAC-IF063B-ER2			
1	S 70 C 60 315	ATW CONTROLLER		1			1							
	S 70 C 70 315	ATW CONTROLLER			1			1		1				
	S 70 C 21 315	ATW CONTROLLER				1			1		1			
2	S 70 E 08 716	TERMINAL BED	3P	1	1	1	1	1	1	1	1	1	(S1/S2/S3)	
3	S 70 C 10 716	TERMINAL BED	3P	1	1	1	1	1	1	1	1	1	(#250LNE)	
4	S 70 C 20 239	EARTH LEAKAGE BREAKER	1ø 20A				1	1	1	1	1	1		
5	S 70 C 39 708	CONTACTOR					1	1	1	1	1	1		
6	S 70 C 90 202	THERMISTOR (Flow water temp & return water temp)	5 m/5 m	1	1	1	1	1	1					THW1/2
	S 70 C 65 202	THERMISTOR (Flow water temp & return water temp)	1.1 m/1.2 m								1	1		THW1/2
7	S 70 C 11 202	THERMISTOR (Liquid refrigerant temp)	5 m	1	1	1								TH2
8	S 70 C 15 202	THERMISTOR (Tank water temp)	1.8 m								1	1		THW5
9	S 70 030 305	MAIN REMOTE CONTROLLER CABLE	10 m	1	1	1	1	1	1	1	1	1	FOR MAIN REMOTE CONTROLLER	
10	S 70 C 95 200	MAIN REMOTE CONTROLLER ASSY		1	1	1	1	1	1	1	1	1		

**2****OPTIONAL PARTS****2-1. WIRELESS REMOTE CONTROLLER**

Part No.	PAR-WT50R-E
----------	-------------

**2-2. WIRELESS RECEIVER**

Part No.	PAR-WR51R-E
----------	-------------

**2-3. REMOTE SENSOR**

Part No.	PAC-SE41TS-E
----------	--------------

**MITSUBISHI ELECTRIC CORPORATION**

HEAD OFFICE: TOKYO BUILDING, 2-7-3, MARUNOUCHI, CHIYODA-KU, TOKYO 100-8310, JAPAN