

MSZ-HR R32

Classic Wall Mounted System

Inverter Heat Pump

M series

The **MSZ-HR** range of wall mounted split systems is now available in capacities up to 7.1kW, making them ideal for light commercial applications such as small offices & retail spaces. With efficient & quiet operation, as well as optional Wi-Fi control, these systems provide excellent value for money as single or multi-split systems.

R32



MELCloud
HOME

Key Features & Benefits:

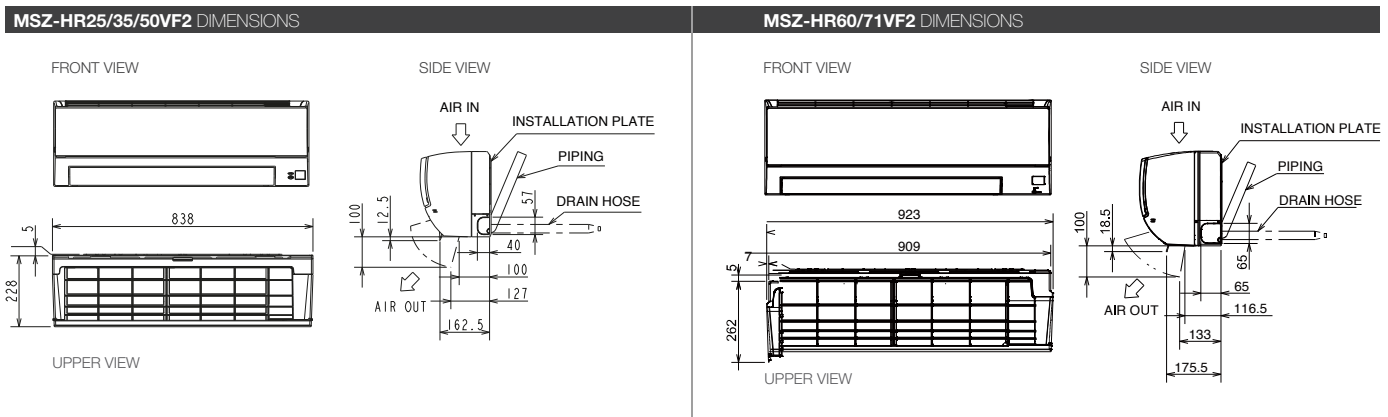
- Stylish white design
- Utilises lower GWP R32 refrigerant
- Optional Wi-Fi interface enabling control & monitoring via the MELCloud Home app
- Daily timer for greater control of scheduling
- Multi-Split connection to MXZ-HA
- Compatible with Plasma Quad Connect - an innovative, bolt-on air purifying device which neutralises viruses, bacteria, allergens, PM2.5, mould and dust





MSZ-HR INDOOR UNITS		MSZ-HR25VF2	MSZ-HR35VF2	MSZ-HR50VF2	MSZ-HR60VF2	MSZ-HR71VF2	
CAPACITY (kW)	Heating (nominal)	3.15 (0.7-3.5)	3.6 (0.9-3.7)	5.4 (1.4-6.5)	6.8 (1.5-8.5)	8.1 (1.5-9.0)	
	Cooling (nominal)	2.5 (0.5-2.9)	3.4 (0.9-3.4)	5.0 (1.3-5.0)	6.1 (1.7-7.1)	7.1 (1.8-7.3)	
	Heating (UK)	2.61 (0.6-2.9)	2.99 (0.75-3.1)	4.48 (1.16-5.39)	5.64 (1.25-7.06)	6.72 (1.25-7.47)	
	Cooling (UK)	2.48 (0.5-2.8)	3.37 (0.89-3.4)	4.96 (1.29-4.96)	5.98 (1.67-6.96)	6.96 (1.76-7.15)	
SHF (nominal)	0.78						
COP / EER (nominal)	3.71 / 3.13		3.60 / 2.81		3.48 / 2.44		
SCOP / SEER (BS EN14825)	4.30 / 6.20		4.30 / 6.20		4.30 / 6.50		
ERP ENERGY EFFICIENCY CLASS	Heating/Cooling A+ / A++		A+ / A++		A+ / A++		
AIRFLOW (l/s)	Heating/Cooling - SL-Lo-Mi-Hi-SHi	50-83-117-158 / 50-83-112-153	50-83-117-165 / 53-87-122-183	102-138-187-242 / 107-153-187-218	178-218-278-327 / 173-210-257-327	178-218-278-327 / 173-210-257-327	
PIPE SIZE mm (in)	Gas	9.52 (3/8")		9.52 (3/8")		12.7 (1/2")	
	Liquid	6.35 (1/4")		6.35 (1/4")		6.35 (1/4")	
SOUND PRESSURE LEVEL (dBA)	Heating/Cooling - SL-Lo-Mi-Hi-SHi	21-30-37-43 / 21-30-37-43		21-30-37-44 / 22-31-38-46		27-34-41-47 / 28-36-40-45	
SOUND POWER LEVEL (dBA)	57						
DIMENSIONS (mm)	Width x Depth x Height	838 x 228 x 280		838 x 228 x 280		923 x 263 x 305	
WEIGHT (kg)	8.5						
ELECTRICAL SUPPLY	Fed by Outdoor Unit						
FUSE RATING (BS88) - HRC (A)	6						
INTERCONNECTING CABLE No. CORES	4						

MUZ-HR OUTDOOR UNITS		MUZ-HR25VF2	MUZ-HR35VF2	MUZ-HR50VF2	MUZ-HR60VF2	MUZ-HR71VF2	
SOUND PRESSURE LEVEL (dBA)	Heating/Cooling	50 / 50	51 / 51	51 / 50	57 / 53	57 / 53	
SOUND POWER LEVEL (dBA)	Cooling	63	64	64	65	66	
WEIGHT (kg)	21.5						
DIMENSIONS (mm)	Width x Depth x Height	699 x 249 x 538		800 x 285 x 550		800 x 285 x 714	
ELECTRICAL SUPPLY	220-240v, 50Hz						
PHASE	Single						
SYSTEM POWER INPUT (kW)	Heating/Cooling (nominal)	0.85 / 0.80	0.98 / 1.21	1.55 / 2.05	1.81 / 1.81	2.44 / 2.33	
	Heating/Cooling (UK)	0.77 / 0.63	0.89 / 0.96	1.40 / 1.62	1.63 / 1.52	2.20 / 1.96	
STARTING CURRENT (A)	4.1						
SYSTEM RUNNING CURRENT (A)	Heating/Cooling [MAX]	4.1 / 3.8 [4.8]		4.6 / 5.9 [6.4]		6.9 / 9.0 [9.6]	
FUSE RATING (BS88) - HRC (A)	10						
MAINS CABLE No. CORES	3						
MAX PIPE LENGTH (m)	20						
MAX HEIGHT DIFFERENCE (m)	12						
CHARGE REFRIGERANT (kg) / CO ₂ EQUIVALENT (t) - R32 (GWP 675) - 7m	0.38 / 0.26		0.42 / 0.28		0.80 / 0.54		
MAX ADDITIONAL REFRIGERANT (kg) / CO ₂ EQUIVALENT (t) - R32 (GWP 675)	0.26 / 0.18		0.26 / 0.18		0.46 / 0.32		



Telephone: 01707 282880
email: air.conditioning@meuk.mee.com
les.mitsubishielectric.co.uk



Mitsubishi Electric Living
Environmental Systems UK

Mitsubishi Electric
Cooling and Heating UK

[mitsubishielectricuk_les](https://www.instagram.com/mitsubishielectricuk_les)

Mitsubishi Electric Living
Environmental Systems UK

[BLOG thehub.mitsubishielectric.co.uk](http://thehub.mitsubishielectric.co.uk)

UNITED KINGDOM Mitsubishi Electric Europe Living Environment Systems Division, Travellers Lane, Hatfield, Hertfordshire, AL10 8XB, England. Telephone: 01707 282880
IRELAND Mitsubishi Electric Europe, Plunkett House, Grange Castle Business Park, Nangor Road, Dublin 22, Ireland. Telephone: (00353) 1 4198800 Email: sales.info@meir.mee.com Web: les.mitsubishielectric.ie

Country of origin: United Kingdom - Italy - Turkey - Japan - Thailand - Malaysia. ©Mitsubishi Electric Europe 2026. Mitsubishi and Mitsubishi Electric are trademarks of Mitsubishi Electric Europe B.V. The company reserves the right to make any variation in technical specification to the equipment described, or to withdraw or replace products without prior notification or public announcement. Mitsubishi Electric is constantly developing and improving its products. All descriptions, illustrations, drawings and specifications in this publication present only general particulars and shall not form part of any contract. All goods are supplied subject to the Company's General Conditions of Sale, a copy of which is available on request. Third-party product and brand names may be trademarks or registered trademarks of their respective owners.

Note: The fuse rating is for guidance only and please refer to the relevant databook for detailed specification. It is the responsibility of a qualified electrician/electrical engineer to select the correct cable size and fuse rating based on current regulation and site specific conditions. Mitsubishi Electric's air conditioning equipment and heat pump systems contain a fluorinated greenhouse gas, R410A (GWP:2088), R32 (GWP:675), R407C (GWP:1774), R134a (GWP:1430), R513A (GWP:631), R454B (GWP:466), R515B (GWP:292), R454C (GWP:148), R1234ze (GWP:7) or R1234yf (GWP:4). *These GWP values are based on Regulation (EU) No 517/2014 from IPCC 4th edition. Mitsubishi Electric's air conditioning equipment and heat pump systems contain a hydrocarbon, R290 (GWP:0.02). *These GWP values are based on IPCC 6th edition.

Effective as of February 2026

