

PARTS CATALOG

[Model Name]	[Service Ref.]
PAC-IF071B-E	PAC-IF071B-E
PAC-IF072B-E	PAC-IF072B-E
PAC-IF073B-E	PAC-IF073B-E

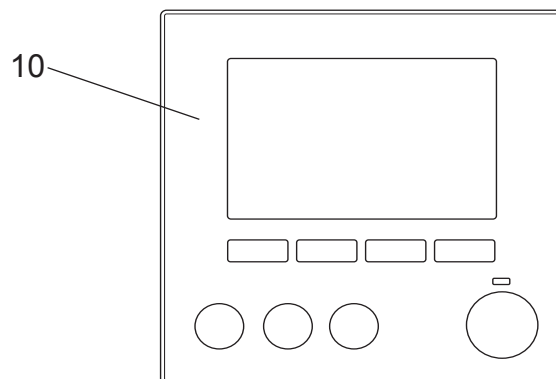
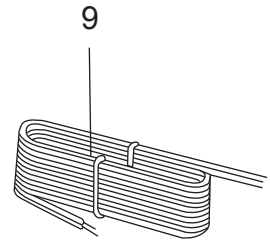
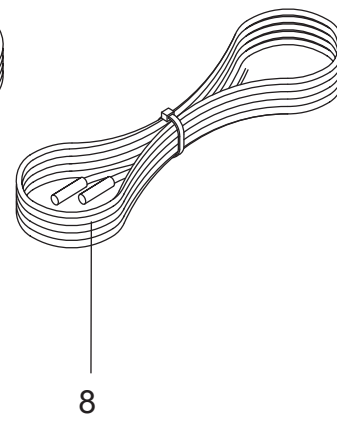
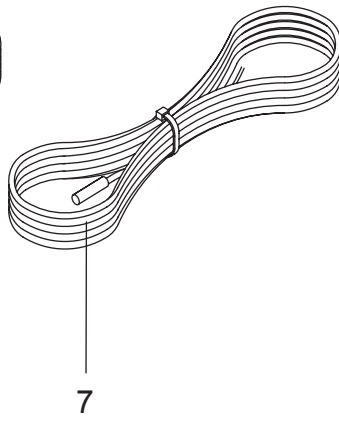
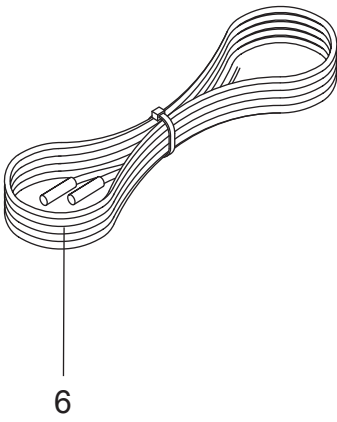
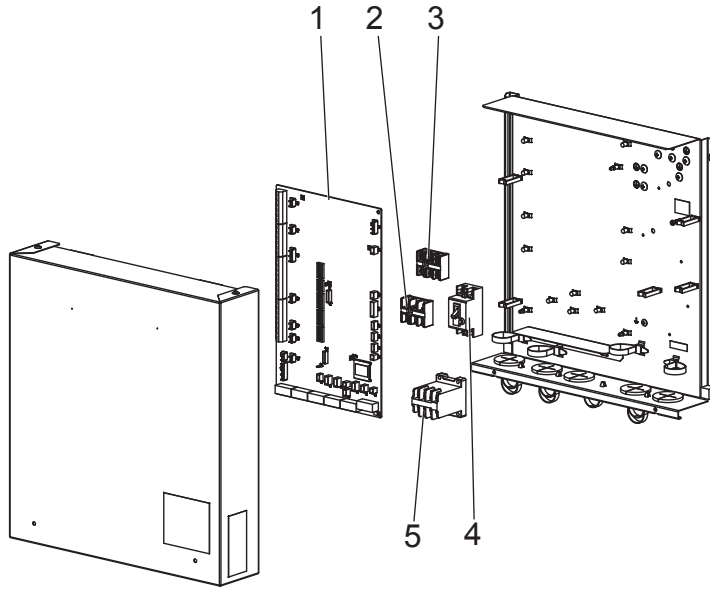
CONTENTS

1. SERVICE PARTS LIST	2
2. OPTIONAL PARTS	4

PAC-IF071B-E

PAC-IF072B-E

PAC-IF073B-E





No	Parts No.	Parts Name	Specification	PAC-IF071B-E	PAC-IF072B-E	PAC-IF073B-E	Remarks	Wiring diagram symbol
1	S70 C65 315	ATW CONTROLLER		1	1	1		
2	S70 E08 716	TERMINAL BED	3P	1	1	1	(#250LNE)	
3	S70 C10 716	TERMINAL BED	3P	1	1	1	(S1/S2/S3)	
4	S70 C20 239	EARTH LEAKAGE BREAKER	1ø 20A		1	1		
5	S70 C39 708	CONTACTOR			1	1		
6	S70 C90 202	THERMISTOR (Flow water temp & return water temp)	5 m/ 5 m	1	1			THW1/2
	S70 C65 202	THERMISTOR (Flow water temp & return water temp)	1.1 m/1.2 m			1		THW1/2
7	S70 C11 202	THERMISTOR (Liquid refrigerant temp)	5 m	1				TH2
8	S70 C68 202	THERMISTOR (Tank water temp)	1.75 m/ 1.61 m			1		THW5A/5B
9	S70 030 305	REMOCON CABLE	10 m	1	1	1		
10	S70 C25 200	REMOCON ASSY		1	1	1		

2**OPTIONAL PARTS****2-1. WIRELESS REMOTE CONTROLLER**

Part No.	PAR-WT50R-E
----------	-------------

2-2. WIRELESS RECEIVER

Part No.	PAR-WR51R-E
----------	-------------

2-3. REMOTE SENSOR

Part No.	PAC-SE41TS-E
----------	--------------

MITSUBISHI ELECTRIC CORPORATION

HEAD OFFICE: TOKYO BUILDING, 2-7-3, MARUNOUCHI, CHIYODA-KU, TOKYO 100-8310, JAPAN