

EHPT15-30X-UKHDW

FTC6 **Standard** Pre-Plumbed Cylinder
For Ecodan R32 Monobloc Units

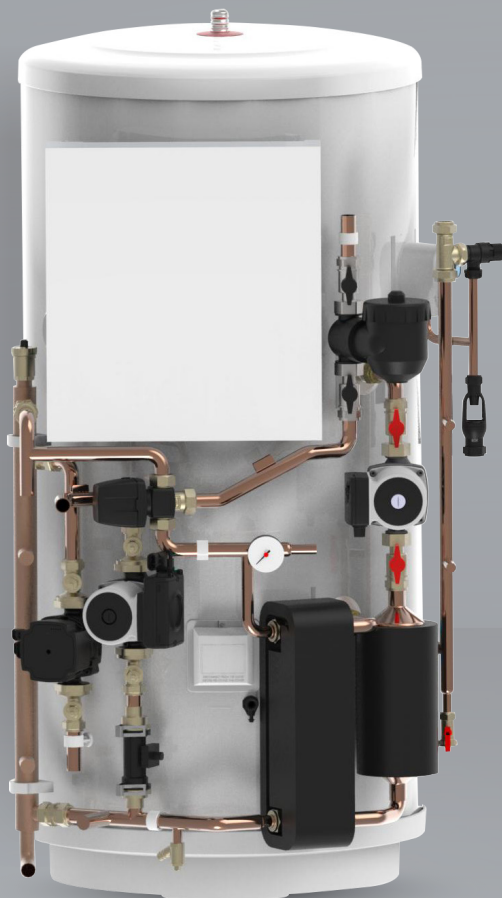
R32

Key Features:

- Unvented plug & play pre-plumbed DHW cylinder
- Efficient & rapid heating
- Premium quality insulation
- Flexible 2-zone space heating control
- MELCloud enabled

Key Benefits:

- Minimal installation time
- Excellent hot water recovery times
- Reduced heat losses and running costs
- Improved comfort and reduced energy use
- Remote control, monitoring, maintenance and technical support

**MELCloud**

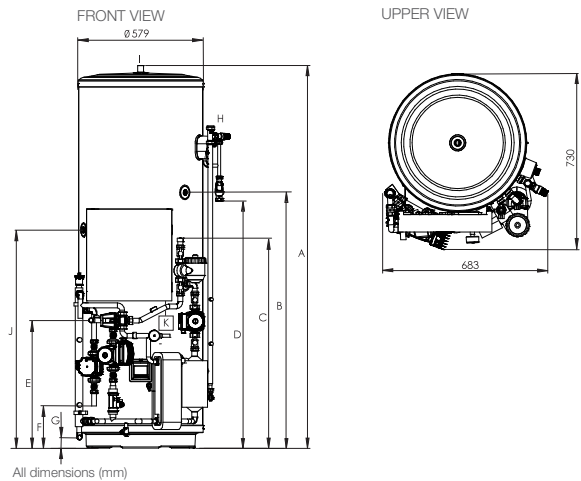
ecodan[®]
Renewable Heating Technology

CYLINDER			EHPT15X-UKHDW	EHPT17X-UKHDW	EHPT21X-UKHDW	EHPT25X-UKHDW	EHPT30X-UKHDW	
NOMINAL HOT WATER VOLUME (LITRES)			150	170	210	250	300	
ErP RATING			B	B	C	C	C	
HEAT LOSS (kWh/24hrs)			1.15	1.23	1.53	1.80	2.09	
HEAT LOSS (W)			48	51	64	75	87	
WATER			Flow Rate (l/min) - WM 50 / 60 / 85 / 112 / 140	14 / 17 / 24 / N/A / N/A	14 / 17 / 24 / N/A / N/A	14 / 17 / 24 / 32 / 40	N/A / N/A / 24 / 32 / 40	N/A / N/A / 24 / 32 / 40
Primary Circuit Pump			Grundfos UPMGEO 25-85	Grundfos UPMGEO 25-85	Grundfos UPMGEO 25-85	Grundfos UPMXL GEO 25-125	Grundfos UPMXL GEO 25-125	
Heating Circuit Pump			Grundfos UPM3 25-70					
Sanitary Hot Water Pump			Grundfos UPSO 15-60 CIL2					
Connection Size (mm) Heating / DHW			22 / 22	22 / 22	22 / 22	22 / 22	22 / 22	
Charge Pressure (MPa (Bar))			0.35 (3.5)	0.35 (3.5)	0.35 (3.5)	0.35 (3.5)	0.35 (3.5)	
WATER SAFETY	Water Circuit	Control Thermistor (°C)	80	80	80	80	80	
		DHW Expansion Vessel (Litres)	12	18	18	24	24	
	DHW Cylinder	Control Thermistor (°C)	75	75	75	75	75	
		Over Temperature Cut-Out (°C)	80 ± 5	80 ± 5	80 ± 5	80 ± 5	80 ± 5	
		Temp and Pressure Relief Valve (°C) / (MPa (Bar))	90 / 1.0 (10)	90 / 1.0 (10)	90 / 1.0 (10)	90 / 1.0 (10)	90 / 1.0 (10)	
Expansion Relief Valve (Cold) (MPa (Bar))			0.8 (8)	0.8 (8)	0.8 (8)	0.8 (8)	0.8 (8)	
DIMENSIONS (mm)			Width	683	683	683	683	
Depth			730	730	730	730	730	
Height			1130	1256	1508	1760	2074	
WEIGHT EMPTY / FULL (kg)			56 / 206	62 / 232	69 / 279	77 / 327	87 / 387	
CYLINDER MATERIAL			Cylinder	Cylinder Material	Stainless Steel	Stainless Steel	Stainless Steel	Stainless Steel
Insulation			Insulation Type	CFC / HCFC-free flame-retardant expanded Polyurethane				
Insulation Thickness (mm)			60	60	60	60	60	
GWP of Insulation			3.1	3.1	3.1	3.1	3.1	
ODP of Insulation			0	0	0	0	0	
ELECTRICAL DATA	Control Board - optionally powered by outdoor unit	Electrical Supply	220-240v, 50Hz	220-240v, 50Hz	220-240v, 50Hz	220-240v, 50Hz	220-240v, 50Hz	
		Phase	Single	Single	Single	Single	Single	
		Fuse Rating - MCB Sizes (A) ¹	16	16	16	16	16	
	Immersion Heater	Electrical Supply	220-240v, 50Hz	220-240v, 50Hz	220-240v, 50Hz	220-240v, 50Hz	220-240v, 50Hz	
		Phase	Single	Single	Single	Single	Single	
		Capacity (kW)	3	3	3	3	3	
Max Running Current (A)			13	13	13	13	13	
Fuse Rating - MCB Sizes (A) ¹			16	16	16	16	16	

MECHANICAL ZONES DHW and 1 Heating Zone²
 OPTIONAL SIMPLIFIED WIRELESS ROOM THERMOSTAT AND WIRELESS RECEIVER PAR-WT50-E Controller and PAR-WRS1-E Receiver

¹ MCB Sizes BS EN60898-2 & BS EN60947-2 ² Optional 2 zone accessory pack available
 Notes: Cylinder includes: Flow Temperature Controller with Main Controller and Temperature Sensors, Magnetic & Cyclonic Filter, Pumps & Valves for Zone 1 and DHW use, Flow Sensor, Plate Heat Exchanger, Scale Trap, 3kW Immersion Heater and Expansion Vessel.

EHPT15-30X-UKHDW DIMENSIONS



Letter	Pipe Description	Connection size/type
A	Overall Height	
B	Secondary return tapping	22mm O/D copper
C	Heat pump flow connection	22mm compression
D	Tundish outlet connection	22mm O/D copper
E	Heat pump return connection	22mm O/D copper
F	Heating circuit flow connection	22mm O/D copper
G	Heating circuit return connection	22mm compression
H	Cold water inlet connection	22mm compression
I	Hot water outlet connection	22mm compression / 3/4" BSP M
J	THW5A sensor pocket	
K	Wi-Fi adapter	included, installer to locate and mount

Capacity	150	170	210	250	300
A	1130	1256	1505	1762	2074
B	-	-	1050	1175	1385
C	990	990	990	990	990
D	505	630	880	1136	1450
E	585	585	585	585	585
F	195	196	195	195	195
G	50	50	50	50	50
J	675	816	925	1005	1193
K	Installer to locate and mount				

MITSUBISHI ELECTRIC
 Changes for the Better
 Telephone: 01707 282880
 email: heating@meuk.mee.com
 heating.mitsubishielectric.co.uk

[@meuk_les](#) [@green_gateway](#) [in](#) Mitsubishi Electric Living Environmental Systems UK [f](#) Mitsubishi Electric Cooling and Heating UK [ig](#) mitsubishielectricuk_les [yt](#) Mitsubishi Electric Living Environmental Systems UK [BLOG](#) thehub.mitsubishielectric.co.uk

UNITED KINGDOM Mitsubishi Electric Europe Living Environment Systems Division, Travellers Lane, Hatfield, Hertfordshire, AL10 8XB, England. Telephone: 01707 282880 Fax: 01707 278881
 IRELAND Mitsubishi Electric Europe, Westgate Business Park, Ballymount, Dublin 24, Ireland. Telephone: (01) 419 8800 Fax: (01) 419 8890 International code: (003531)

Country of origin: United Kingdom - Japan - Thailand - Malaysia. ©Mitsubishi Electric Europe 2020. Mitsubishi and Mitsubishi Electric are trademarks of Mitsubishi Electric Europe B.V. The company reserves the right to make any variation in technical specification to the equipment described, or to withdraw or replace products without prior notification or public announcement. Mitsubishi Electric is constantly developing and improving its products. All descriptions, illustrations, drawings and specifications in this publication present only general particulars and shall not form part of any contract. All goods are supplied subject to the Company's General Conditions of Sale, a copy of which is available on request. Third-party product and brand names may be trademarks or registered trademarks of their respective owners.
 Note: Refer to 'Installation Manual' and 'Instruction Book' for further 'Technical Information'. The fuse rating is for guidance only and please refer to the relevant databook for detailed specification. It is the responsibility of a qualified electrician/ electrical engineer to select the correct cable size and fuse rating based on current regulation and site specific conditions. Mitsubishi Electric's air conditioning equipment and heat pump systems contain a fluorinated greenhouse gas, R410A (GWP:2088), R32 (GWP:675), R407C (GWP:1774), R134a (GWP:1430), R513A (GWP:631), R454B (GWP:466), R1234ze (GWP:7) or R1234yf (GWP:4). *These GWP values are based on Regulation (EU) No 517/2014 from IPCC 4th edition. In case of Regulation (EU) No 626/2011 from IPCC 3rd edition, these are as follows. R410A (GWP:1975), R32 (GWP:550), R407C (GWP:1650) or R134a (GWP:1300).

Effective as of August 2020

greengateway.mitsubishielectric.co.uk