

SERVICE PARTS LIST FOR MITSUBISHI ELECTRIC REFRIGERATION SYSTEMS:HOT WATER HEAT PUMP UNIT

Series : QAHV-N•YA-HPB(-BS)

REVISED

Nov. 2017

BWE01615B

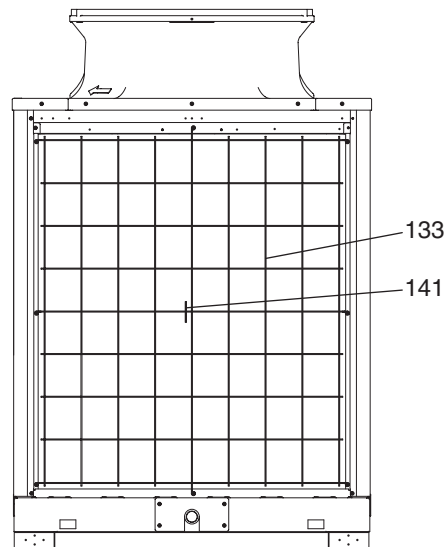
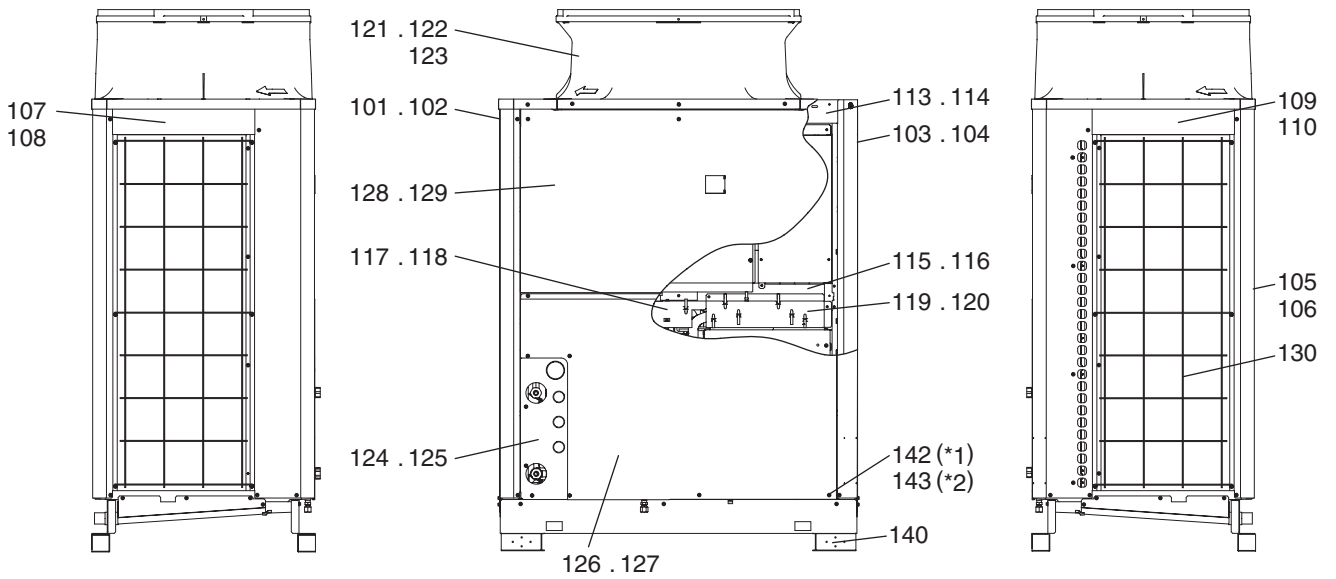
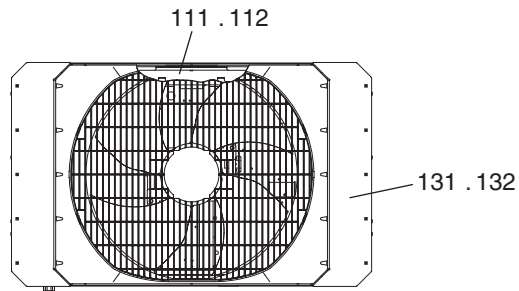
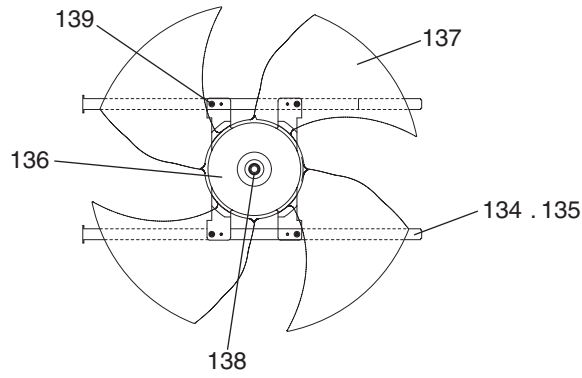
INDEX
QAHV-N560YA-HPB QAHV-N560YA-HPB-BS

Part information update day : 2017/11/27

Please change the old catalog (issued Apr. 2017, No.BWE01615A) to this new catalog.

Content of revision : Some of parts are changed.

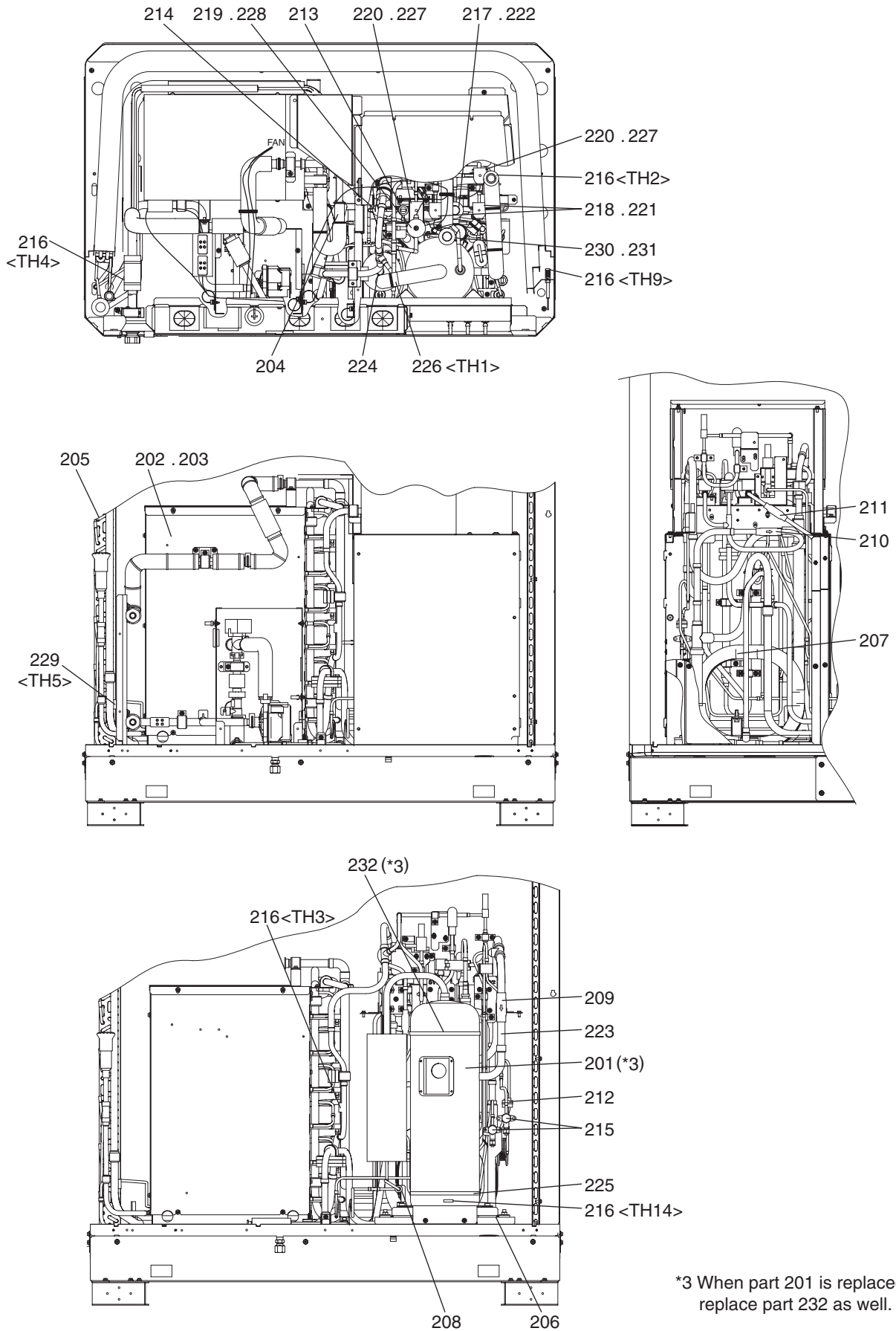




*1 Each unit requires
 47 H screws (Part No.142).
 *2 Each unit requires
 30 WFT screws (Part No.143).

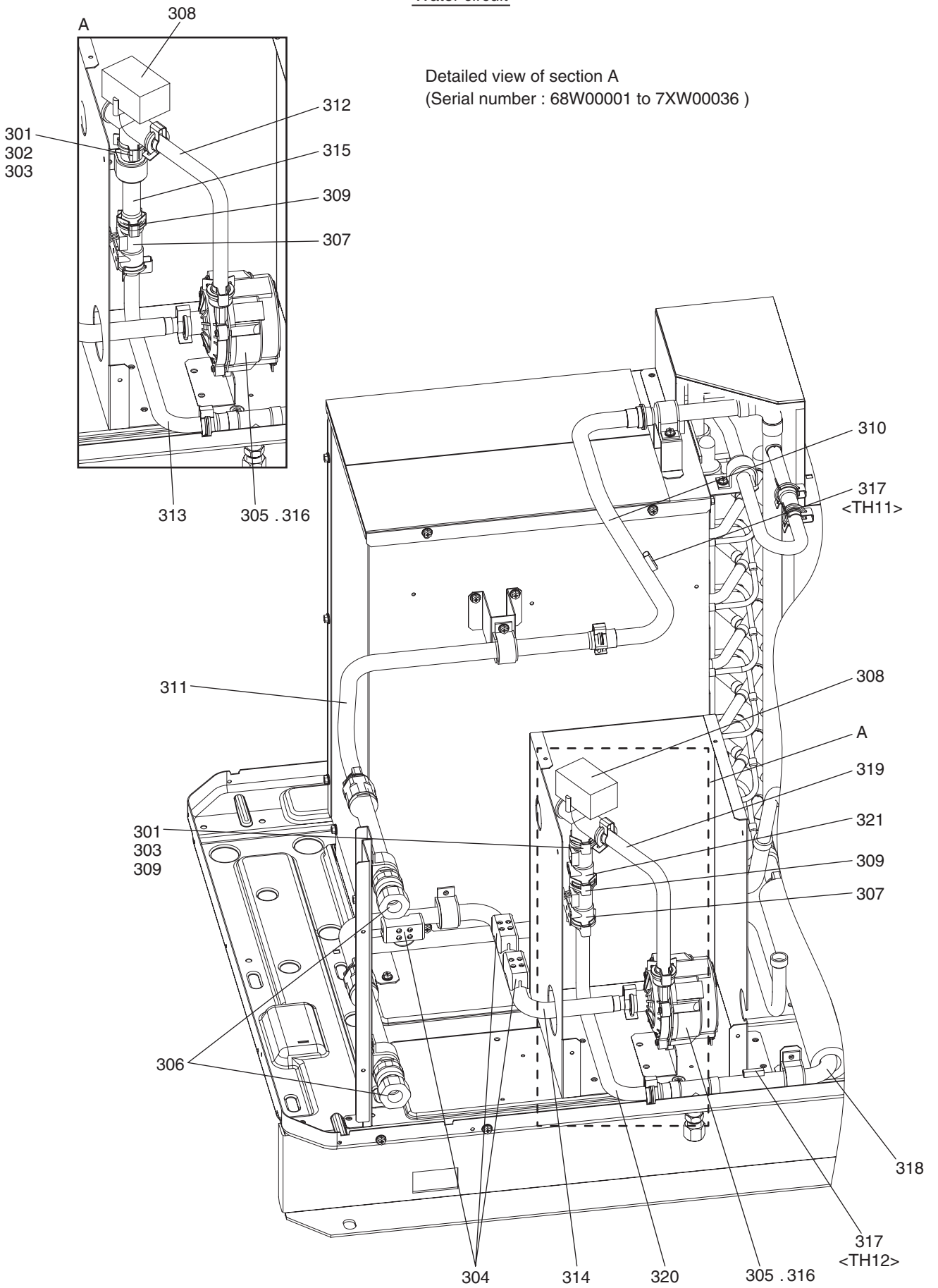
No.	Part No.	G : RoHS Apply Only W : RoHS Apply by Running Change		Spec.	QAHV-N560YA-HPB	QAHV-N560YA-HPB-BS					Dwg. No.	Notes for the models	Revision info.
			Part Name										
101	R11 019 626	G	Pillar LF		1						KB02A011G07		
102	R11 020 626	G	Pillar LF	BS		1					KB02A011G08		
103	R11 014 626	G	Pillar RF		1						KB02A012G07		
104	R11 015 626	G	Pillar RF	BS		1					KB02A012G08		
105	R63 002 627	G	Pillar B		2						KB02A013G07		
106	R63 003 627	G	Pillar B	BS		2					KB02A013G08		
107	R63 038 162	G	Frame assy L		1						KD00G100G01		
108	R63 040 162	G	Frame assy L	BS		1					KD00G100G02		
109	R63 039 162	G	Frame assy R		1						KD00G101G01		
110	R63 041 162	G	Frame assy R	BS		1					KD00G101G02		
111	R12 037 215	G	Frame assy TB		1						KC00R939G01		
112	R12 038 215	G	Frame assy TB	BS		1					KC00R939G02		
113	R12 039 215	G	Frame assy TF		1						KC00R938G01		
114	R12 040 215	G	Frame assy TF	BS		1					KC00R938G02		
115	R12 041 215	G	Frame assy MU		1						KC00G234G13		
116	R12 042 215	G	Frame assy MU	BS		1					KC00G234G14		
117	R12 020 215	G	Frame assy MBL		1						KC00G384G03		
118	R12 021 215	G	Frame assy MBL	BS		1					KC00G384G04		
119	R12 022 215	G	Frame assy MBR		1						KC00H064G05		
120	R12 023 215	G	Frame assy MBR	BS		1					KC00H064G06		
121	R61 004 119	G	Bell mouth		1	1					KB25A368G01		Chg.
122	R11 003 009	G	Fanguard		1	1					KB25V019G01		Chg.
123	R61 009 669	G	Fanguard fixed plate		4	4					KD02D205H02		
124	R12 004 011	G	Cover piping		1						KC00H258G11		
125	R12 003 011	G	Cover piping	BS		1					KC00H258G12		
126	R12 045 661	G	Panel assy FB		1						KC02B483G01		
127	R12 046 661	G	Panel assy FB	BS		1					KC02B483G02		
128	R12 101 661	G	Panel assy FU		1						KC00R942G01		
129	R12 102 661	G	Panel assy FU	BS		1					KC00R942G02		
130	R61 007 611	G	Fin guard LR		2	2					KB07C043G03		
131	R12 004 400	G	Cover fanguard		2						KC02J299G01		
132	R12 005 400	G	Cover fanguard	BS		2					KC02J299G02		
133	R61 003 118	G	Fin guard B		1	1					KB07T209G01		
134	R61 016 140	G	Base fan		2						KD02D026H01		
135	R61 017 140	G	Base fan	BS		2					KD02D026G04		
136	R12 002 941	G	Motor	L-920-B4-1	1	1					KC78T462G02		
137	R61 001 300	G	Fan		1	1					KB25A009H05		
138	R63 4H6 122	G	Box nut	M12 CH	1	1					P552000X01		
139	R61 028 087	G	Upset screw	M6 x 10	4	4					P516049X01		
140	R61 016 130	G	Attachment leg		4	4					KD02T773G01		
141	R63 L59 060	G	Guard fixed plate		1	1					W893727G01		Chg.
142	R63 007 087	G	H screw	5 x 10 KNURLED (30pcs)	2	2					KB00H418G14	*1	
143	R63 006 087	G	WFT screw	5 x 12 (30 pcs)	2	2					KB00H418G01	*2	

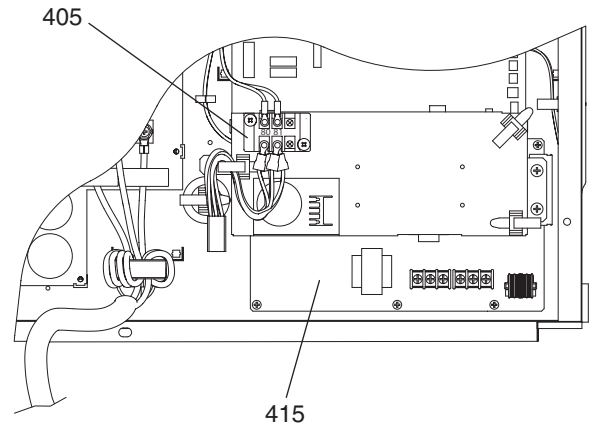
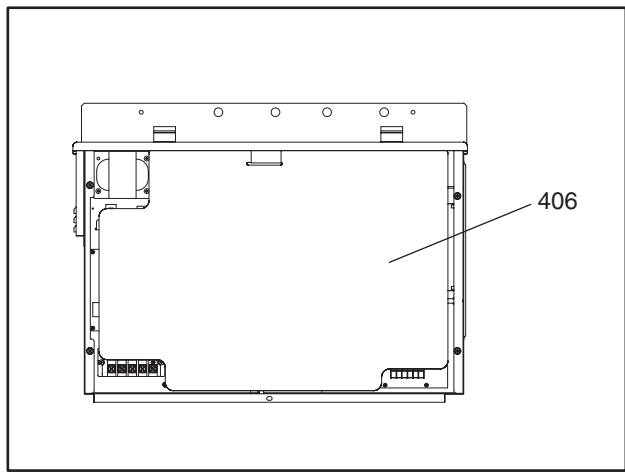
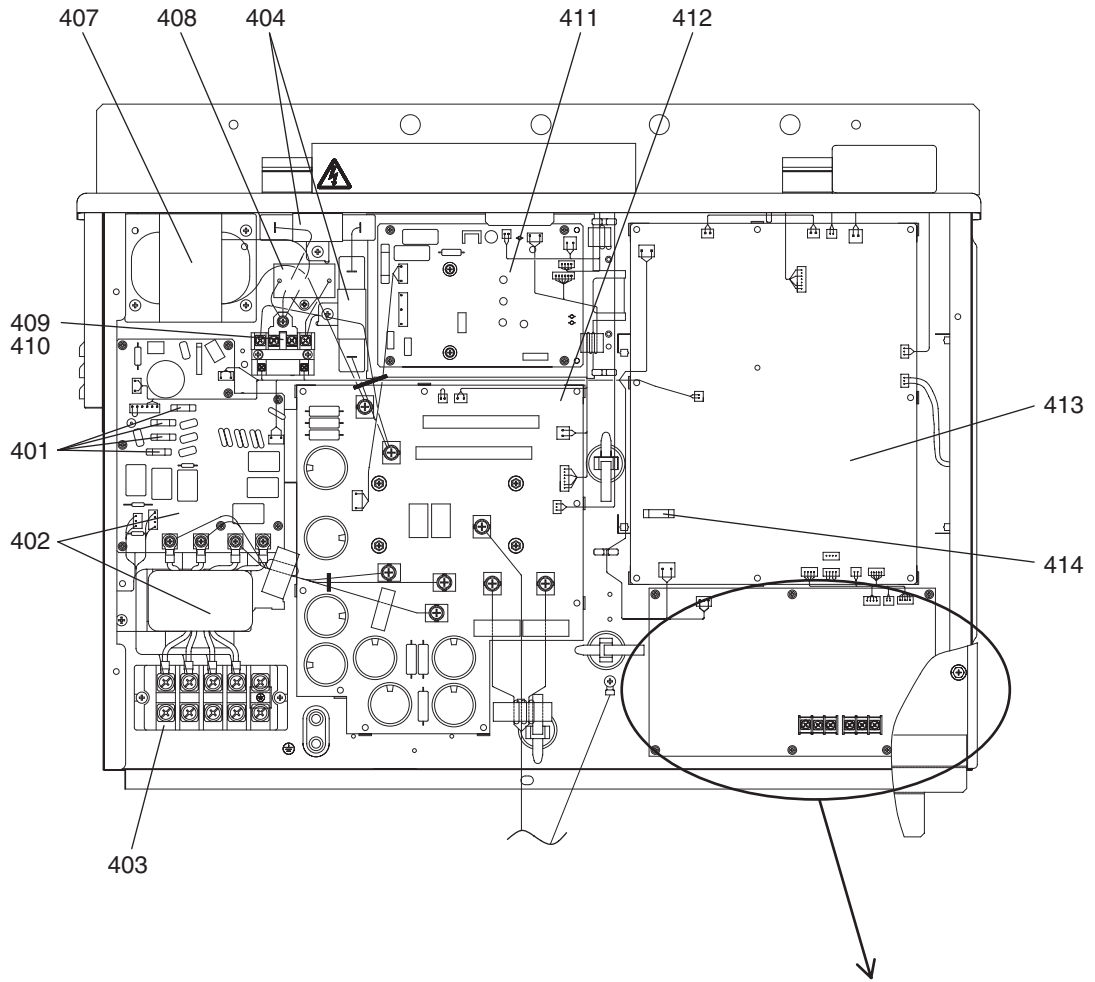
Refrigerant circuit



*3 When part 201 is replaced, replace part 232 as well.

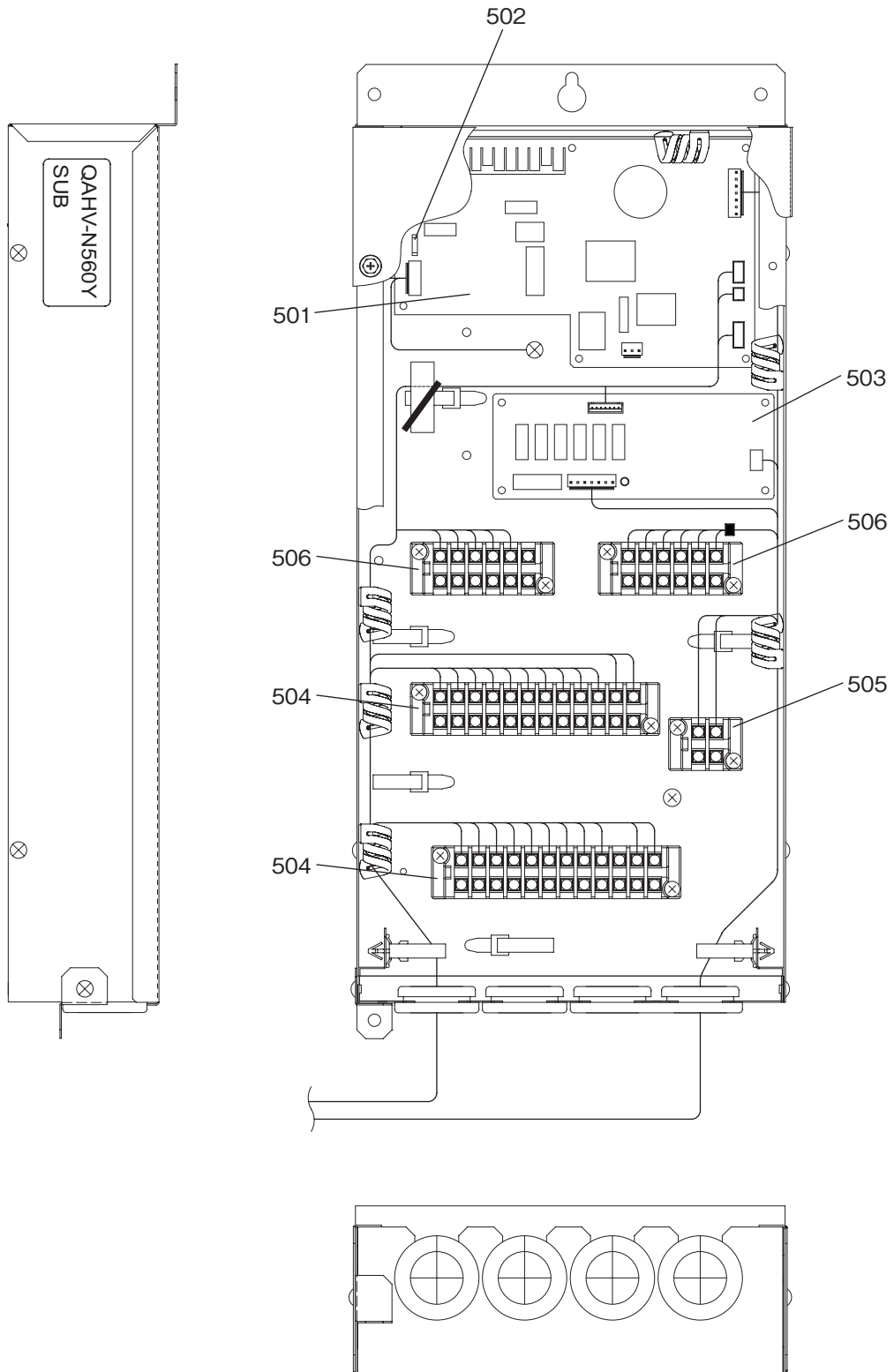
Water circuit





QAHV-N560YA-HPB
QAHV-N560YA-HPB-BS

CONTROL BOX PARTS (SUB BOX)



mitsubishi
electric
corporation

BWE01615B (20171130)