

SERVICE MANUAL

R410A
[Model Name]

PUHZ-W50VHA	PUHZ-W50VHA-BS
PUHZ-W85VHA	PUHZ-W85VHA-BS
PUHZ-HW112YHA	PUHZ-HW112YHA-BS
PUHZ-HW112YHA2	PUHZ-HW112YHA2-BS
PUHZ-HW140VHA	PUHZ-HW140VHA-BS
PUHZ-HW140YHA	PUHZ-HW140YHA-BS
PUHZ-HW140VHA2	PUHZ-HW140VHA2-BS
PUHZ-HW140YHA2	PUHZ-HW140YHA2-BS

Revision:

- A missing page in DISASSEMBLY PROCEDURE is restored in REVISED EDITION-N.

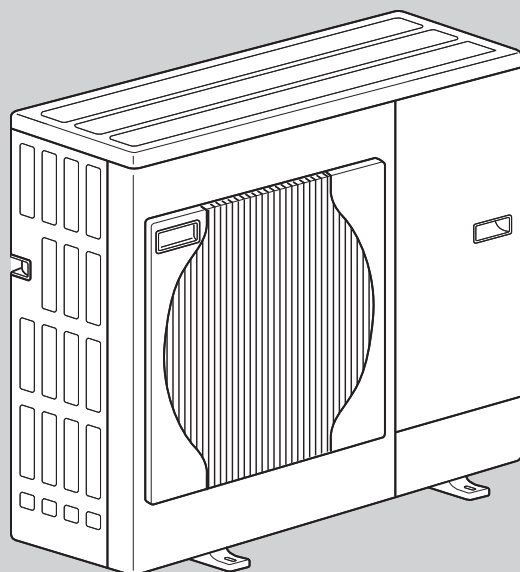
- OCH439 REVISED EDITION-M is void.

Notes:

- This manual describes service data of outdoor unit only.

[Service Ref.]

Refer to page 2.



PUHZ-W85VHA(R1)
 PUHZ-W85VHA(R1)-BS

CONTENTS

1. TECHNICAL CHANGES.....	3
2. SAFETY PRECAUTION.....	5
3. SPECIFICATIONS.....	8
4. DATA	31
5. OUTLINES AND DIMENSIONS.....	34
6. WIRING DIAGRAM.....	37
7. WIRING SPECIFICATIONS	49
8. REFRIGERANT SYSTEM DIAGRAM	50
9. TROUBLESHOOTING	52
10. DISASSEMBLY PROCEDURE.....	103

PARTS CATALOG (OCB439)

[Service Ref.]

PUHZ-W50VHA
PUHZ-W50VHAR1
PUHZ-W50VHAR2
PUHZ-W50VHAR3
PUHZ-W85VHA
PUHZ-W85VHAR1
PUHZ-HW112YHA
PUHZ-HW112YHA2
PUHZ-HW112YHA2R1
PUHZ-HW112YHA2R3
PUHZ-HW112YHA2R4
PUHZ-HW112YHA2R5
PUHZ-HW112YHA2R6
PUHZ-HW112YHA2R7
PUHZ-HW140VHA
PUHZ-HW140YHA
PUHZ-HW140VHA2
PUHZ-HW140VHA2R1

PUHZ-HW140VHA2R3
PUHZ-HW140VHA2R4
PUHZ-HW140VHA2R5
PUHZ-HW140VHA2R6
PUHZ-HW140VHA2R7
PUHZ-HW140YHA2
PUHZ-HW140YHA2R1
PUHZ-HW140YHA2R3
PUHZ-HW140YHA2R4
PUHZ-HW140YHA2R5
PUHZ-HW140YHA2R6
PUHZ-HW140YHA2R7

PUHZ-W50VHA-BS
PUHZ-W50VHAR1-BS
PUHZ-W50VHAR2-BS
PUHZ-W50VHAR3-BS
PUHZ-W85VHA-BS
PUHZ-W85VHAR1-BS
PUHZ-HW112YHA-BS
PUHZ-HW112YHA2-BS
PUHZ-HW112YHA2R1-BS
PUHZ-HW112YHA2R3-BS
PUHZ-HW112YHA2R4-BS
PUHZ-HW112YHA2R5-BS
PUHZ-HW112YHA2R6-BS
PUHZ-HW112YHA2R7-BS
PUHZ-HW140VHA-BS
PUHZ-HW140YHA-BS
PUHZ-HW140VHA2-BS
PUHZ-HW140VHA2R1-BS
PUHZ-HW140VHA2R2-BS
PUHZ-HW140VHA2R3-BS
PUHZ-HW140VHA2R4-BS
PUHZ-HW140VHA2R5-BS
PUHZ-HW140VHA2R6-BS
PUHZ-HW140VHA2R7-BS
PUHZ-HW140YHA2-BS
PUHZ-HW140YHA2R1-BS
PUHZ-HW140YHA2R3-BS
PUHZ-HW140YHA2R4-BS
PUHZ-HW140YHA2R5-BS
PUHZ-HW140YHA2R6-BS
PUHZ-HW140YHA2R7-BS

PUHZ-HW112YHA2R6(-BS) → PUHZ-HW112YHA2R7(-BS)
PUHZ-HW140VHA2R6(-BS) → PUHZ-HW140VHA2R7(-BS)
PUHZ-HW140YHA2R6(-BS) → PUHZ-HW140YHA2R7(-BS)

1. Plate heat exchanger has been changed.

PUHZ-HW112YHA2R5(-BS) → PUHZ-HW112YHA2R6(-BS)
PUHZ-HW140VHA2R5(-BS) → PUHZ-HW140VHA2R6(-BS)
PUHZ-HW140YHA2R5(-BS) → PUHZ-HW140YHA2R6(-BS)

1. Compressor oil has been added.
 2. The installation direction of LEV-B assy has been changed to reduce high frequency noise.
 3. Outdoor controller board has been changed.

PUHZ-HW112YHA2R4(-BS) → PUHZ-HW112YHA2R5(-BS)
PUHZ-HW140VHA2R4(-BS) → PUHZ-HW140VHA2R5(-BS)
PUHZ-HW140YHA2R4(-BS) → PUHZ-HW140YHA2R5(-BS)

1. A compliance with ErP directive Lot 1 has been authorized.
 2. Outdoor controller board has been changed.
 3. Outdoor power board has been changed.

PUHZ-W50VHAR2(-BS) → PUHZ-W50VHAR3(-BS)
PUHZ-HW112YHA2R3(-BS) → PUHZ-HW112YHA2R4(-BS)
PUHZ-HW140VHA2R3(-BS) → PUHZ-HW140VHA2R4(-BS)
PUHZ-HW140YHA2R3(-BS) → PUHZ-HW140YHA2R4(-BS)

1. Added a new function "Energy Monitor" which allows remote controller to display power consumption and heat output.

PUHZ-W50VHAR1(-BS) → PUHZ-W50VHAR2(-BS)

1. Plate heat exchanger has been changed.
 2. Outdoor controller board has been changed.

PUHZ-HW112YHA2R1(-BS) → PUHZ-HW112YHA2R3(-BS)
PUHZ-HW140YHA2R1(-BS) → PUHZ-HW140YHA2R3(-BS)
PUHZ-HW140VHA2R1 → PUHZ-HW140VHA2R3
PUHZ-HW140VHA2R2-BS → PUHZ-HW140VHA2R3-BS

1. Heat exchanger has been changed.
 2. Outdoor controller board has been changed.
 3. Outdoor power board has been changed. (Only HW140V)
 4. Comp. surface thermistor (TH34) has been added.
 5. Compressor has been changed.
 HW112Y : ANB33FJFMT → ANB33FJJMT
 HW140Y : ANB42FJFMT → ANB42FJJMT
 HW140V : ANB42FJGMT → ANB42FJKMT

PUHZ-HW112YHA2(-BS) → PUHZ-HW112YHA2R1(-BS)
PUHZ-HW140YHA2(-BS) → PUHZ-HW140YHA2R1(-BS)
PUHZ-HW140VHA2 → PUHZ-HW140VHA2R1
PUHZ-HW140VHA2R1-BS → PUHZ-HW140VHA2R2-BS

1. Plate heat exchanger has been changed.

PUHZ-W50VHA(-BS) → PUHZ-W50VHAR1(-BS)

1. Heat exchanger has been changed.

PUHZ-HW140VHA2-BS → PUHZ-HW140VHA2R1-BS

1. Controller circuit board (C.B.) has been changed. (S/W version up)

PUHZ-HW112YHA(-BS) → PUHZ-HW112YHA2(-BS)
PUHZ-HW140VHA(-BS) → PUHZ-HW140VHA2(-BS)
PUHZ-HW140YHA(-BS) → PUHZ-HW140YHA2(-BS)

1. Heat exchanger has been changed.
2. Compressor has been changed. (only HW140)
HW140V : ANB33FJGMT → ANB42FJGMT
HW140Y : ANB33FJFMT → ANB42FJFMT
3. Refrigerant charge has been changed. (only HW140)
4.0 kg → 4.3 kg
4. Plate heat exchanger has been changed.
ACH50 → ACH70
5. Muffler has been deleted.
6. Outdoor controller board (C.B.) has been changed. (S/W version up)
7. Outdoor power board (P.B.) has been changed.
8. Liner expansion valves (for LEV-A,B) have been changed.
9. Charge plug (high pressure side) has been changed. (Straight type → Bend type)

PUHZ-W85VHA → PUHZ-W85VHAR1
PUHZ-W85VHA-BS → PUHZ-W85VHAR1-BS

1. Comp. surface thermistor (TH33) has been added.
2. Discharge thermistor (TH4) has been changed.
3. Controller circuit board (C.B.) has been changed. (S/W version up)

2-1. ALWAYS OBSERVE FOR SAFETY

Before obtaining access to terminal, all supply circuits must be disconnected.

Preparation before the repair service.

- Prepare the proper tools.
- Prepare the proper protectors.
- Provide adequate ventilation.
- After stopping the operation of the air conditioner, turn off the power-supply breaker.
- Discharge the condenser before the work involving the electric parts.

Precautions during the repair service.

- Do not perform the work involving the electric parts with wet hands.
- Do not pour water into the electric parts.
- Do not touch the refrigerant.
- Do not touch the hot or cold areas in the refrigerating cycle.
- When the repair or the inspection of the circuit needs to be done without turning off the power, exercise great caution not to touch the live parts.

2-2. CAUTIONS RELATED TO NEW REFRIGERANT

Cautions for units utilizing refrigerant R410A

Do not use refrigerant other than R410A.

If other refrigerant (R22, etc.) is used, chlorine in refrigerant can cause deterioration of refrigerant oil, etc.

Use a vacuum pump with a reverse flow check valve.

Vacuum pump oil may flow back into refrigerant cycle and that can cause deterioration of refrigerant oil, etc.

Use the following tools specifically designed for use with R410A refrigerant.

The following tools are necessary to use R410A refrigerant.

Tools for R410A	
Gauge manifold	Vacuum pump adaptor
Charge hose	Electronic refrigerant charging scale
Gas leak detector	Torque wrench

Handle tools with care.

If dirt, dust or moisture enters into refrigerant cycle, that can cause deterioration of refrigerant oil or malfunction of compressor.

Do not use a charging cylinder.

If a charging cylinder is used, the composition of refrigerant will change and the efficiency will be lowered.

Ventilate the room if refrigerant leaks during operation. If refrigerant comes into contact with a flame, poisonous gases will be released.

Charge refrigerant from liquid phase of gas cylinder.

If the refrigerant is charged from gas phase, composition change may occur in refrigerant and the efficiency will be lowered.

Use the specified refrigerant only.

Never use any refrigerant other than that specified.

Doing so may cause a burst, an explosion, or fire when the unit is being used, serviced, or disposed of. Correct refrigerant is specified in the manuals and on the spec labels provided with our products. We will not be held responsible for mechanical failure, system malfunction, unit breakdown or accidents caused by failure to follow the instructions.

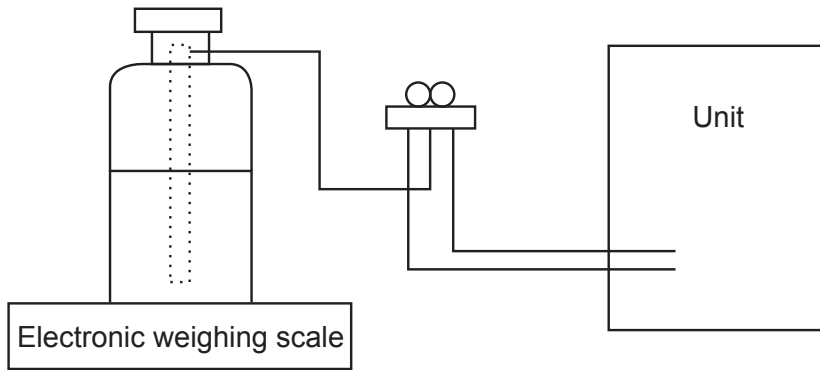
[1] Cautions for service

- (1) Perform service after recovering the refrigerant left in the unit completely.
- (2) Do not release refrigerant in the air.
- (3) After completing service, charge the cycle with specified amount of refrigerant.

[2] Additional refrigerant charge

When charging directly from cylinder

- Check that cylinder for R410A on the market is a syphon type.
- Charging should be performed with the cylinder of syphon stood vertically. (Refrigerant is charged from liquid phase.)



[3] Service tools

Use the below service tools as exclusive tools for R410A refrigerant.

No.	Tool name	Specifications
①	Gauge manifold	· Only for R410A
		· Use the existing fitting specifications. (UNF1/2)
		· Use high-tension side pressure of 5.3 MPa·G or over.
②	Charge hose	· Only for R410A
		· Use pressure performance of 5.09 MPa·G or over.
③	Electronic weighing scale	—
④	Gas leak detector	· Use the detector for R134a, R407C or R410A.
⑤	Adaptor for reverse flow check	· Attach on vacuum pump.
⑥	Refrigerant charge base	—
⑦	Refrigerant cylinder	· Only for R410A · Top of cylinder (Pink)
		· Cylinder with syphon
⑧	Refrigerant recovery equipment	—

2-3. CAUTIONS FOR REFRIGERANT PIPING WORK

Tools for R410A (The following table shows whether conventional tools can be used or not.)

Tools and materials	Use	R410A tools	Can R22 tools be used?	Can R407C tools be used?
Gauge manifold	Air purge, refrigerant charge and operation check	Tool exclusive for R410A	×	×
Charge hose		Tool exclusive for R410A	×	×
Gas leak detector	Gas leak check	Tool for HFC refrigerant	×	○
Refrigerant recovery equipment	Refrigerant recovery	Tool exclusive for R410A	×	×
Refrigerant cylinder	Refrigerant charge	Tool exclusive for R410A	×	×
Safety charger	Prevent compressor malfunction when charging refrigerant by spraying liquid refrigerant	Tool exclusive for R410A	×	×
Charge valve	Prevent gas from blowing out when detaching charge hose	Tool exclusive for R410A	×	×
Vacuum pump	Vacuum drying and air purge	Tools for other refrigerants can be used if equipped with adapter for reverse flow check	Δ(Usable if equipped with adapter for reverse flow)	Δ(Usable if equipped with adapter for reverse flow)
Bender	Bend the pipes	Tools for other refrigerants can be used	○	○
Pipe cutter	Cut the pipes	Tools for other refrigerants can be used	○	○
Welder and nitrogen gas cylinder	Weld the pipes	Tools for other refrigerants can be used	○	○
Refrigerant charging scale	Refrigerant charge	Tools for other refrigerants can be used	○	○
Vacuum gauge or thermistor vacuum gauge and vacuum valve	Check the degree of vacuum. (Vacuum valve prevents back flow of oil and refrigerant to thermistor vacuum gauge)	Tools for other refrigerants can be used	○	○
Charging cylinder	Refrigerant charge	Tool exclusive for R410A	×	-

×: Prepare a new tool. (Use the new tool as the tool exclusive for R410A.)

Δ: Tools for other refrigerants can be used under certain conditions.

○: Tools for other refrigerants can be used.

2-4. PRECAUTIONS FOR SALT PROOF TYPE "-BS" MODEL

Although "-BS" model has been designed to be resistant to salt damage, observe the following precautions to maintain the performance of the unit.

1. Avoid installing the unit in a location where it will be exposed directly to seawater or sea breeze.
2. If the cover panel may become covered with salt, be sure to install the unit in a location where the salt will be washed away by rainwater. (If a sunshade is installed, rainwater may not clean the panel.)
3. To ensure that water does not collect in the base of the outdoor unit, make sure that the base is level, not at angle. Water collecting in the base of the outdoor unit could cause rust.
4. If the unit is installed in a coastal area, clean the unit with water regularly to remove any salt build-up.
5. If the unit is damaged during installation or maintenance, be sure to repair it.
6. Be sure to check the condition of the unit regularly.
7. Be sure to install the unit in a location with good drainage.

3-1. SPECIFICATIONS

PUHZ-W50VHA PUHZ-W50VHA-BS PUHZ-W50VHAR1 PUHZ-W50VHAR1-BS

Power supply (Phase, Voltage, Frequency)		1 ϕ , 230 V, 50 Hz	
Nominal water flow rate (Heating mode)		L/min	14.3
Heating (A7/W35)	Capacity	kW	5.00
	COP		4.10
	Power input	kW	1.22
Heating (A2/W35)	Capacity	kW	5.00
	COP		3.13
	Power input	kW	1.60
Pressure difference (water circuit)		kPa	12
Heating pump input (based on EN14511)		kW	0.01
Nominal water flow rate (Cooling mode)		L/min	12.9
Cooling (A35/W7)	Capacity	kW	4.50
	EER (COP)		2.94
	Power input	kW	1.53
Cooling (A35/W18)	Capacity	kW	4.50
	EER (COP)		4.13
	Power input	kW	1.09
Pressure difference (water circuit)		kPa	10
Cooling pump input (based on EN14511)		kW	0.01

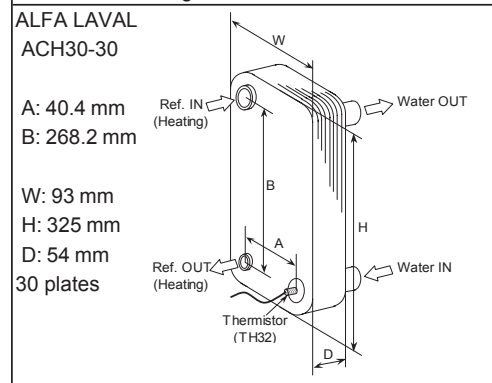
Note: "COP" and "Power input" in the above table are values that contains the "pump input (based on EN 14511)".

Outdoor unit specifications

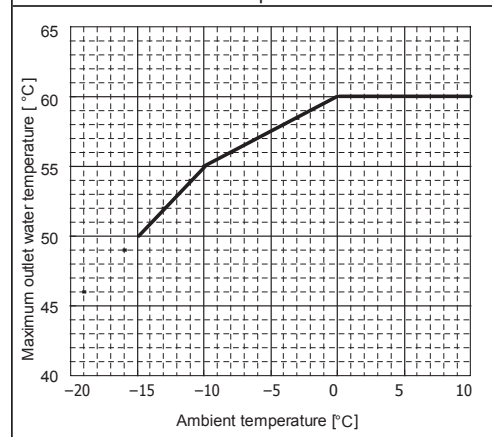
Service ref.		PUHZ-W50VHA PUHZ-W50VHA-BS PUHZ-W50VHAR1 PUHZ-W50VHAR1-BS	
Running current	Heating(A7/W35)	A	5.4
	Cooling(A35/W7)	A	6.8
Power factor	Heating(A7/W35)	%	97
	Cooling(A35/W7)	%	97
Max. current	A	13.0	
Breaker size	A	16	
Outer casing		Galvanized plate	
External finish		Munsell 3Y 7.8/1.1	
Refrigerant control		Linear expansion valve	
Compressor		Hermetic twin rotary	
Model		SNB130FGCM	
Motor output	kW	0.9	
Start type		Inverter	
Protection devices		HP switch Discharge thermo Comp. Surface thermo Overcurrent detection	
Oil (Model)	L	0.35 (FV50S)	
Crankcase heater	W	-	
Heat exchanger	Air	Plate fin coil	
	Water	Plate heat exchanger	
Fan	Fan(drive)×No.	Propeller fan × 1	
	Fan motor output	kW	0.086
	Airflow	m ³ /min (CFM)	50 (1,760)
Defrost method		Reverse cycle ^{*1}	
Noise level (SPL)	Heating	dB	46 ^{*2}
	Cooling	dB	45 ^{*2}
Dimensions	Width	mm (in)	950 (37-3/8)
	Depth	mm (in)	330 +30 ⁻³ (13+1-3/16)
	Height	mm (in)	740 (29-3/16)
Weight	kg (lb)	64 (141)	
Refrigerant		R410A	
Guaranteed operating range (Outdoor)	Heating	°C	-15 to +21
	Cooling	°C	-5 ⁽⁴⁾ to +46
Outlet water temp. (Max in heating, Min in cooling)	Heating	°C	+60
	Cooling	°C	+5
Nominal return water temperature range	Heating	°C	+9 to +59
	Cooling	°C	+8 to +28
Water flow rate range	L/min	6.5 to 14.3 ^{*5}	

Nominal operating condition	
Heating(A7/W35)	
Outside air temperature (Dry-bulb)	+ 7°C
Outside air temperature (Wet-bulb)	+ 6°C
Water temperature (inlet/outlet)	+30/+35°C
Heating(A2/W35)	
Outside air temperature (Dry-bulb)	+ 2°C
Outside air temperature (Wet-bulb)	+ 1°C
Water temperature (inlet/outlet)	-/+35°C
Cooling(A35/W7)	
Outside air temperature (Dry-bulb)	+35°C
Outside air temperature (Wet-bulb)	+ 24°C
Water temperature (inlet/outlet)	+12/+7°C
Cooling(A35/W18)	
Outside air temperature (Dry-bulb)	+35°C
Outside air temperature (Wet-bulb)	+ 24°C
Water temperature (inlet/outlet)	+23/+18°C

Plate heat exchanger



Maximum outlet water temperature



^{*1} Hot gas with 4-way valve

^{*2} at distance of 1m from outdoor unit

^{*3} grille

^{*4} With the optional air outlet guide, the operation at -15°C outdoor temperature is possible.

^{*5} For details of the minute return water temperature at each water flow rate, refer to 3-2. AVAILABLE RANGE (WATER FLOW RATE, RETURN WATER TEMP.)"

PUHZ-W50VHAR2

PUHZ-W50VHAR2-BS

PUHZ-W50VHAR3

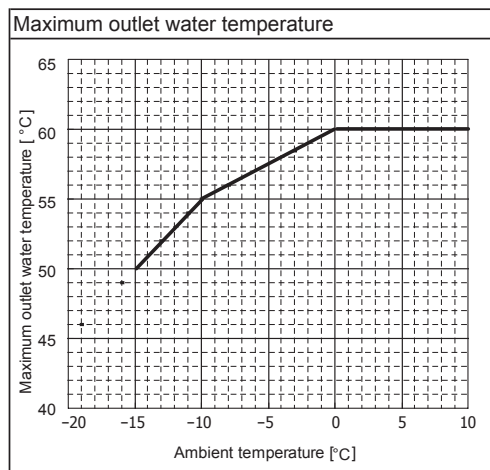
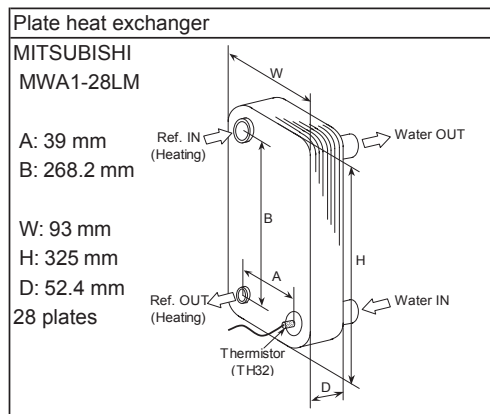
PUHZ-W50VHAR3-BS

Power supply (Phase, Voltage, Frequency)		1φ, 230 V, 50 Hz	
Nominal water flow rate (Heating mode)		L/min	14.3
Heating (A7/W35)	Capacity	kW	5.00
	COP		4.10
	Power input	kW	1.22
Heating (A2/W35)	Capacity	kW	5.00
	COP		3.13
	Power input	kW	1.60
Pressure difference (water circuit)		kPa	12
Heating pump input (based on EN14511)		kW	0.01
Nominal water flow rate (Cooling mode)		L/min	12.9
Cooling (A35/W7)	Capacity	kW	4.50
	EER (COP)		2.94
	Power input	kW	1.53
Cooling (A35/W18)	Capacity	kW	4.50
	EER (COP)		4.13
	Power input	kW	1.09
Pressure difference (water circuit)		kPa	10
Cooling pump input (based on EN14511)		kW	0.01

Nominal operating condition	
Heating(A7/W35)	
Outside air temperature (Dry-bulb)	+ 7°C
Outside air temperature (Wet-bulb)	+ 6°C
Water temperature (inlet/outlet)	+30/+35°C
Heating(A2/W35)	
Outside air temperature (Dry-bulb)	+ 2°C
Outside air temperature (Wet-bulb)	+ 1°C
Water temperature (inlet/outlet)	-/+35°C
Cooling(A35/W7)	
Outside air temperature (Dry-bulb)	+35°C
Outside air temperature (Wet-bulb)	+ 24°C
Water temperature (inlet/outlet)	+12/+7°C
Cooling(A35/W18)	
Outside air temperature (Dry-bulb)	+35°C
Outside air temperature (Wet-bulb)	+ 24°C
Water temperature (inlet/outlet)	+23/+18°C

Note: "COP" and "Power input" in the above table are values that contains the "pump input (based on EN 14511)".

Outdoor unit specifications			
Service ref.		PUHZ-W50VHAR2 PUHZ-W50VHAR2-BS PUHZ-W50VHAR3 PUHZ-W50VHAR3-BS	
Running current	Heating(A7/W35)	A	5.4
	Cooling(A35/W7)	A	6.8
Power factor	Heating(A7/W35)	%	97
	Cooling(A35/W7)	%	97
Max. current		A	13.0
Breaker size		A	16
Outer casing		Galvanized plate	
External finish		Munsell 3Y 7.8/1.1	
Refrigerant control		Linear expansion valve	
Compressor		Hermetic twin rotary	
	Model	SNB130FGCM	
	Motor output	kW	0.9
	Start type	Inverter	
	Protection devices	HP switch Discharge thermo Comp. Surface thermo Overcurrent detection	
	Oil (Model)	L	0.35 (FV50S)
Crankcase heater		W	-
Heat exchanger	Air	Plate fin coil	
	Water	Plate heat exchanger	
Fan	Fan(drive)×No.	Propeller fan × 1	
	Fan motor output	kW	0.086
	Airflow	m ³ /min (CFM)	50 (1,760)
Defrost method		Reverse cycle ^{*1}	
Noise level (SPL)	Heating	dB	46 ^{*2}
	Cooling	dB	45 ^{*2}
Dimensions	Width	mm (in)	950 (37-3/8)
	Depth	mm (in)	330 +30 ^{*3} (13+1-3/16)
	Height	mm (in)	740 (29-3/16)
Weight		kg (lb)	64 (141)
Refrigerant		R410A	
	Quantity	kg (lb)	1.7 (3.7)
Guaranteed operating range (Outdoor)	Heating	°C	-15 to +21
	Cooling	°C	-5 ^(*) to +46
Outlet water temp. (Max in heating, Min in cooling)	Heating	°C	+60
	Cooling	°C	+5
Nominal return water temperature range	Heating	°C	+9 to +59
	Cooling	°C	+8 to +28
Water flow rate range		L/min	6.5 to 14.3 ⁵



^{*1} Hot gas with 4-way valve
^{*2} at distance of 1 m from outdoor unit
^{*3} grille
^{*4} With the optional air outlet guide, the operation at -15°C outdoor temperature is possible.
^{*5} For details of the minute return water temperature at each water flow rate, refer to "3-2. AVAILABLE RANGE (WATER FLOW RATE, RETURN WATER TEMP.)".

PUHZ-W85VHA

PUHZ-W85VHA-BS

PUHZ-W85VHAR1

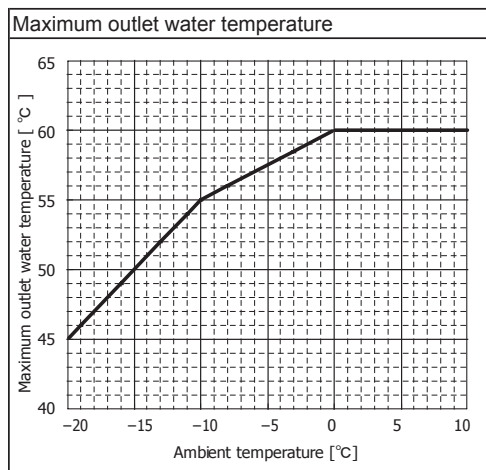
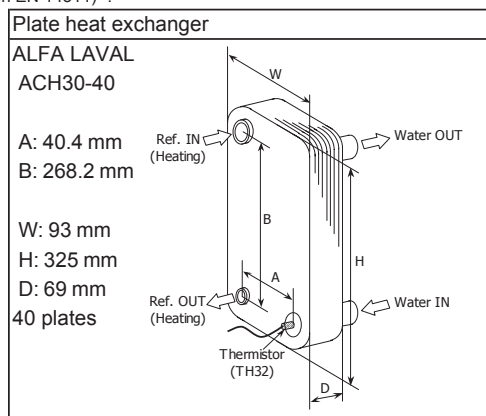
PUHZ-W85VHAR1-BS

Power supply (Phase, Voltage, Frequency)		1 φ, 230 V, 50 Hz	
Nominal water flow rate (Heating mode)		L/min	25.8
Heating (A7/W35)	Capacity	kW	9.00
	COP		3.85
	Power input	kW	2.34
Heating (A2/W35)	Capacity	kW	8.50
	COP		2.95
	Power input	kW	2.88
Pressure difference (water circuit)		kPa	20
Heating pump input (based on EN14511)		kW	0.03
Nominal water flow rate (Cooling mode)		L/min	21.5
Cooling (A35/W7)	Capacity	kW	7.50
	EER (COP)		2.39
	Power input	kW	3.14
Cooling (A35/W18)	Capacity	kW	7.50
	EER (COP)		3.87
	Power input	kW	1.94
Pressure difference (water circuit)		kPa	15
Cooling pump input (based on EN14511)		kW	0.02

Note: "COP" and "Power input" in the above table are values that contains the "pump input (based on EN 14511)".

Outdoor unit specifications			
Service ref.		PUHZ-W85VHA PUHZ-W85VHA-BS PUHZ-W85VHAR1 PUHZ-W85VHAR1-BS	
Running current	Heating(A7/W35)	A	10.3
	Cooling(A35/W7)	A	13.7
Power factor	Heating(A7/W35)	%	98
	Cooling(A35/W7)	%	98
Max. current		A	23.0
Breaker size		A	25
Outer casing		Galvanized plate	
External finish		Munsell 3Y 7.8/1.1	
Refrigerant control		Linear expansion valve	
Compressor		Hermetic twin rotary	
	Model	TNB220FLHM1	
	Motor output	kW	1.3
	Start type	Inverter	
	Protection devices	HP switch Discharge thermo Overcurrent detection	
	Oil (Model)	L	0.67 (FV50S)
Crankcase heater		W	-
Heat exchanger	Air	Plate fin coil	
	Water	Plate heat exchanger	
Fan	Fan(drive)×No.	Propeller fan × 1	
	Fan motor output	kW	0.060
	Airflow	m ³ /min (CFM)	55 (1,940)
Defrost method		Reverse cycle ^{*1}	
Noise level (SPL)	Heating	dB	48 ^{*2}
	Cooling	dB	48 ^{*2}
Dimensions	Width	mm (in)	950 (37-3/8)
	Depth	mm (in)	330 +30 ⁻³ (13+1-3/16)
	Height	mm (in)	943 (37-1/8)
Weight		kg (lb)	77 (170)
Refrigerant		R410A	
	Quantity	kg (lb)	2.4 (5.3)
Guaranteed operating range (Outdoor)	Heating	°C	-20 to +21
	Cooling	°C	-5 ^(*) to +46
Outlet water temp. (Max in heating, Min in cooling)	Heating	°C	+60
	Cooling	°C	+5
Nominal return water temperature range	Heating	°C	+9 to +59
	Cooling	°C	+8 to +28
Water flow rate range		L/min	10.0 to 25.8 ^{*5}

Nominal operating condition	
Heating(A7/W35)	
Outside air temperature (Dry-bulb)	+ 7°C
Outside air temperature (Wet-bulb)	+ 6°C
Water temperature (inlet/outlet)	+30/+35°C
Heating(A2/W35)	
Outside air temperature (Dry-bulb)	+ 2°C
Outside air temperature (Wet-bulb)	+ 1°C
Water temperature (inlet/outlet)	-/+35°C
Cooling(A35/W7)	
Outside air temperature (Dry-bulb)	+35°C
Outside air temperature (Wet-bulb)	+ 24°C
Water temperature (inlet/outlet)	+12/+7°C
Cooling(A35/W18)	
Outside air temperature (Dry-bulb)	+35°C
Outside air temperature (Wet-bulb)	+ 24°C
Water temperature (inlet/outlet)	+23/+18°C



^{*1} Hot gas with 4-way valve
^{*2} at distance of 1m from outdoor unit
^{*3} grille
^{*4} With the optional air outlet guide, the operation at -15°C outdoor temperature is possible.
^{*5} For details of the minute return water temperature at each water flow rate, refer to "3-2. AVAILABLE RANGE (WATER FLOW RATE, RETURN WATER TEMP.)"

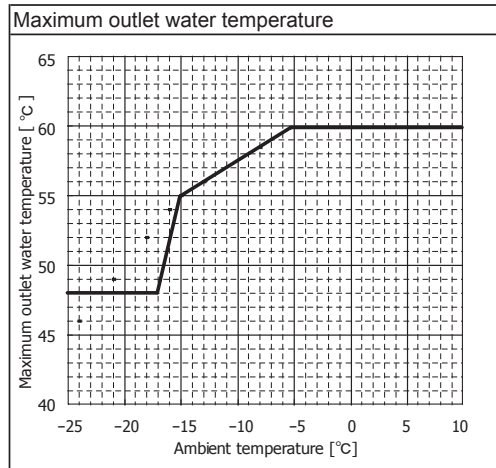
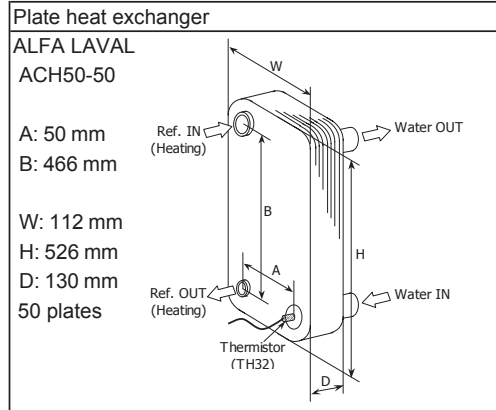
PUHZ-HW112YHA PUHZ-HW112YHA-BS

Power supply (Phase, Voltage, Frequency)		3 φ, 400 V, 50 Hz	
Nominal water flow rate (Heating mode)		L/min	32.1
Heating (A7/W35)	Capacity	kW	11.20
	COP		4.24
	Power input	kW	2.64
Heating (A2/W35)	Capacity	kW	11.20
	COP		3.01
	Power input	kW	3.72
Pressure difference (water circuit)		kPa	6
Heating pump input (based on EN14511)		kW	0.01
Nominal water flow rate (Cooling mode)		L/min	28.7
Cooling (A35/W7)	Capacity	kW	10.00
	EER (COP)		2.72
	Power input	kW	3.68
Cooling (A35/W18)	Capacity	kW	10.00
	EER (COP)		4.07
	Power input	kW	2.46
Pressure difference (water circuit)		kPa	5
Cooling pump input (based on EN14511)		kW	0.01

Note: "COP" and "Power input" in the above table are values that contains the "pump input (based on EN 14511)".

Outdoor unit specifications			
Service ref.		PUHZ-HW112YHA PUHZ-HW112YHA-BS	
Running current	Heating(A7/W35)	A	4.0
	Cooling(A35/W7)	A	5.6
Power factor	Heating(A7/W35)	%	95
	Cooling(A35/W7)	%	95
Max. current		A	13.0
Breaker size		A	16
Outer casing	Galvanized plate		
External finish	Munsell 3Y 7.8/1.1		
Refrigerant control	Linear expansion valve		
Compressor	Hermetic scroll		
	Model	ANB33FJFMT	
	Motor output	kW	2.5
	Start type	Inverter	
	Protection devices	HP switch LP switch Discharge thermo Overcurrent detection	
	Oil (Model)	L	0.9 (FV50S)
Crankcase heater		W	-
Heat exchanger	Air	Plate fin coil	
	Water	Plate heat exchanger	
Fan	Fan(drive)×No.	Propeller fan × 2	
	Fan motor output	kW	0.074 × 2
	Airflow	m ³ /min	100
(CFM)		(3,530)	
Defrost method	Reverse cycle ^{*1}		
Noise level (SPL)	Heating	dB	53 ^{*2}
	Cooling	dB	53 ^{*2}
Dimensions	Width	mm (in)	1020 (40-3/16)
	Depth	mm (in)	330 +30 ^{*3} (13+1-3/16)
	Height	mm (in)	1350 (53-1/8)
Weight		kg (lb)	148 (326.3)
Refrigerant		R410A	
	Quantity	kg (lb)	4.0 (8.8)
Guaranteed operating range (Outdoor)	Heating	°C	-25 to +21
	Cooling	°C	-5 ^{(*)4} to +46
Outlet water temp. (Max in heating, Min in cooling)	Heating	°C	+60
	Cooling	°C	+5
Nominal return water temperature range	Heating	°C	+11 to +59
	Cooling	°C	+8 to +28
Water flow rate range		L/min	14.4 to 32.1 ^{*5}

Nominal operating condition	
Heating(A7/W35)	
Outside air temperature (Dry-bulb)	+ 7°C
Outside air temperature (Wet-bulb)	+ 6°C
Water temperature (inlet/outlet)	+30/+35°C
Heating(A2/W35)	
Outside air temperature (Dry-bulb)	+ 2°C
Outside air temperature (Wet-bulb)	+ 1°C
Water temperature (inlet/outlet)	-/+35°C
Cooling(A35/W7)	
Outside air temperature (Dry-bulb)	+35°C
Outside air temperature (Wet-bulb)	+ 24°C
Water temperature (inlet/outlet)	+12/+7°C
Cooling(A35/W18)	
Outside air temperature (Dry-bulb)	+35°C
Outside air temperature (Wet-bulb)	+ 24°C
Water temperature (inlet/outlet)	+23/+18°C



^{*1} Hot gas with 4-way valve
^{*2} at distance of 1m from outdoor unit
^{*3} grille
^{*4} With the optional air outlet guide, the operation at -15°C outdoor temperature is possible.
^{*5} For details of the minute return water temperature at each water flow rate, refer to "3-2. AVAILABLE RANGE (WATER FLOW RATE, RETURN WATER TEMP.)"

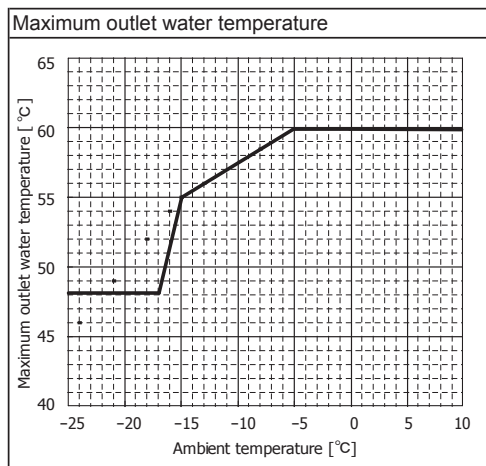
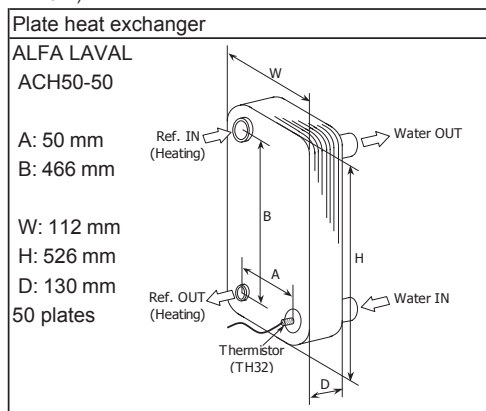
PUHZ-HW140VHA PUAZ-HW140VHA-BS

Power supply (Phase, Voltage, Frequency)		1 φ, 230 V, 50 Hz	
Nominal water flow rate (Heating mode)		L/min	40.1
Heating (A7/W35)	Capacity	kW	14.00
	COP		4.19
	Power input	kW	3.34
Heating (A2/W35)	Capacity	kW	14.00
	COP		2.69
	Power input	kW	5.21
Pressure difference (water circuit)		kPa	9
Heating pump input (based on EN14511)		kW	0.02
Nominal water flow rate (Cooling mode)		L/min	35.8
Cooling (A35/W7)	Capacity	kW	12.50
	EER (COP)		2.59
	Power input	kW	4.82
Cooling (A35/W18)	Capacity	kW	12.50
	EER (COP)		4.01
	Power input	kW	3.12
Pressure difference (water circuit)		kPa	7
Cooling pump input (based on EN14511)		kW	0.02

Note: "COP" and "Power input" in the above table are values that contains the "pump input (based on EN 14511)".

Outdoor unit specifications			
Service ref.		PUHZ-HW140VHA PUHZ-HW140VHA-BS	
Running current	Heating(A7/W35)	A	14.9
	Cooling(A35/W7)	A	21.5
Power factor	Heating(A7/W35)	%	97
	Cooling(A35/W7)	%	97
Max. current		A	35.0
Breaker size		A	40
Outer casing		Galvanized plate	
External finish		Munsell 3Y 7.8/1.1	
Refrigerant control		Linear expansion valve	
Compressor		Hermetic scroll	
	Model	ANB33FJGMT	
	Motor output	kW	2.5
	Start type	Inverter	
	Protection devices	HP switch LP switch Discharge thermo Overcurrent detection	
	Oil (Model)	L	0.9 (FV50S)
Crankcase heater		W	-
Heat exchanger	Air	Plate fin coil	
	Water	Plate heat exchanger	
Fan	Fan(drive)×No.	Propeller fan × 2	
	Fan motor output	kW	0.074 × 2
	Airflow	m ³ /min	100
(CFM)		(3,530)	
Defrost method		Reverse cycle ^{*1}	
Noise level (SPL)	Heating	dB	53 ^{*2}
	Cooling	dB	53 ^{*2}
Dimensions	Width	mm (in)	1020 (40-3/16)
	Depth	mm (in)	330 + 30 ^{*3} (13+1-3/16)
	Height	mm (in)	1350 (53-1/8)
Weight		kg (lb)	134 (295.4)
Refrigerant		R410A	
	Quantity	kg (lb)	4.0 (8.8)
Guaranteed operating range (Outdoor)	Heating	°C	-25 to +21
	Cooling	°C	-5 ^(*) to +46
Outlet water temp. (Max in heating, Min in cooling)	Heating	°C	+60
	Cooling	°C	+5
Nominal return water temperature range	Heating	°C	+10 to +59
	Cooling	°C	+8 to +28
Water flow rate range		L/min	17.9 to 40.1 ^{*5}

Nominal operating condition	
Heating(A7/W35)	
Outside air temperature (Dry-bulb)	+ 7°C
Outside air temperature (Wet-bulb)	+ 6°C
Water temperature (inlet/outlet)	+30/+35°C
Heating(A2/W35)	
Outside air temperature (Dry-bulb)	+ 2°C
Outside air temperature (Wet-bulb)	+ 1°C
Water temperature (inlet/outlet)	-/+35°C
Cooling(A35/W7)	
Outside air temperature (Dry-bulb)	+35°C
Outside air temperature (Wet-bulb)	+ 24°C
Water temperature (inlet/outlet)	+12/+7°C
Cooling(A35/W18)	
Outside air temperature (Dry-bulb)	+35°C
Outside air temperature (Wet-bulb)	+ 24°C
Water temperature (inlet/outlet)	+23/+18°C



^{*1} Hot gas with 4-way valve
^{*2} at distance of 1m from outdoor unit
^{*3} grille
^{*4} With the optional air outlet guide, the operation at -15°C outdoor temperature is possible.
^{*5} For details of the minute return water temperature at each water flow rate, refer to "3-2. AVAILABLE RANGE (WATER FLOW RATE, RETURN WATER TEMP.)"

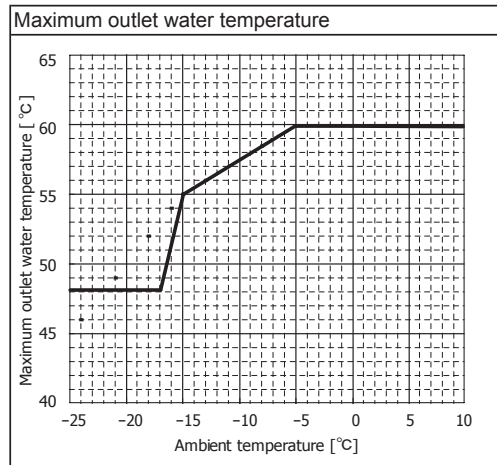
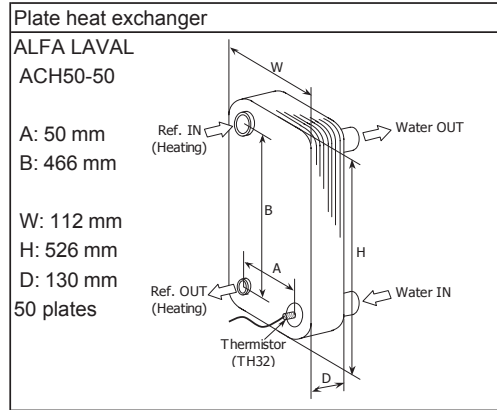
PUHZ-HW140YHA PUHZ-HW140YHA-BS

Power supply (Phase, Voltage, Frequency)		3 φ, 400 V, 50 Hz	
Nominal water flow rate (Heating mode)		L/min	40.1
Heating (A7/W35)	Capacity	kW	14.00
	COP		4.19
	Power input	kW	3.34
Heating (A2/W35)	Capacity	kW	14.00
	COP		2.69
	Power input	kW	5.21
Pressure difference (water circuit)		kPa	9
Heating pump input (based on EN14511)		kW	0.02
Nominal water flow rate (Cooling mode)		L/min	35.8
Cooling (A35/W7)	Capacity	kW	12.50
	EER (COP)		2.59
	Power input	kW	4.82
Cooling (A35/W18)	Capacity	kW	12.50
	EER (COP)		4.01
	Power input	kW	3.12
Pressure difference (water circuit)		kPa	7
Cooling pump input (based on EN14511)		kW	0.02

Note: "COP" and "Power input" in the above table are values that contains the "pump input (based on EN 14511)".

Outdoor unit specifications			
Service ref.		PUHZ-HW140YHA PUHZ-HW140YHA-BS	
Running current	Heating(A7/W35)	A	5.1
	Cooling(A35/W7)	A	7.3
Power factor	Heating(A7/W35)	%	95
	Cooling(A35/W7)	%	95
Max. current		A	13.0
Breaker size		A	16
Outer casing		Galvanized plate	
External finish		Munsell 3Y 7.8/1.1	
Refrigerant control		Linear expansion valve	
Compressor		Hermetic scroll	
	Model	ANB33FJFMT	
	Motor output	kW	2.5
	Start type	Inverter	
	Protection devices	HP switch LP switch Discharge thermo Overcurrent detection	
	Oil (Model)	L	0.9 (FV50S)
Crankcase heater		W	-
Heat exchanger	Air	Plate fin coil	
	Water	Plate heat exchanger	
Fan	Fan(drive)×No.	Propeller fan × 2	
	Fan motor output	kW	0.074 × 2
	Airflow	m ³ /min (CFM)	100 (3,530)
Defrost method		Reverse cycle ^{*1}	
Noise level (SPL)	Heating	dB	53 ^{*2}
	Cooling	dB	53 ^{*2}
Dimensions	Width	mm (in)	1020 (40-3/16)
	Depth	mm (in)	330 +30 ^{*3} (13+1-3/16)
	Height	mm (in)	1350 (53-1/8)
Weight		kg (lb)	148 (326.3)
Refrigerant		R410A	
	Quantity	kg (lb)	4.0 (8.8)
Guaranteed operating range (Outdoor)	Heating	°C	-25 to +21
	Cooling	°C	-5 ⁽⁴⁾ to +46
Outlet water temp.	Heating	°C	+60
(Max in heating, Min in cooling)	Cooling	°C	+5
Nominal return water temperature range	Heating	°C	+10 to +59
	Cooling	°C	+8 to +28
Water flow rate range		L/min	17.9 to 40.1 ^{*5}

Nominal operating condition	
Heating(A7/W35)	
Outside air temperature (Dry-bulb)	+ 7°C
Outside air temperature (Wet-bulb)	+ 6°C
Water temperature (inlet/outlet)	+30/+35°C
Heating(A2/W35)	
Outside air temperature (Dry-bulb)	+ 2°C
Outside air temperature (Wet-bulb)	+ 1°C
Water temperature (inlet/outlet)	-/+35°C
Cooling(A35/W7)	
Outside air temperature (Dry-bulb)	+35°C
Outside air temperature (Wet-bulb)	+ 24°C
Water temperature (inlet/outlet)	+12/+7°C
Cooling(A35/W18)	
Outside air temperature (Dry-bulb)	+35°C
Outside air temperature (Wet-bulb)	+ 24°C
Water temperature (inlet/outlet)	+23/+18°C



^{*1} Hot gas with 4-way valve
^{*2} at distance of 1m from outdoor unit
^{*3} grille
^{*4} With the optional air outlet guide, the operation at -15°C outdoor temperature is possible.
^{*5} For details of the minute return water temperature at each water flow rate, refer to "3-2. AVAILABLE RANGE (WATER FLOW RATE, RETURN WATER TEMP.)"

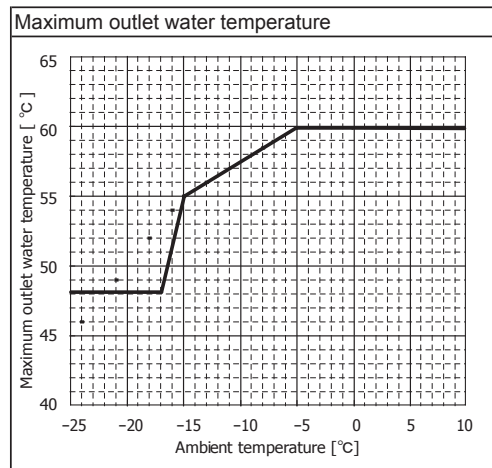
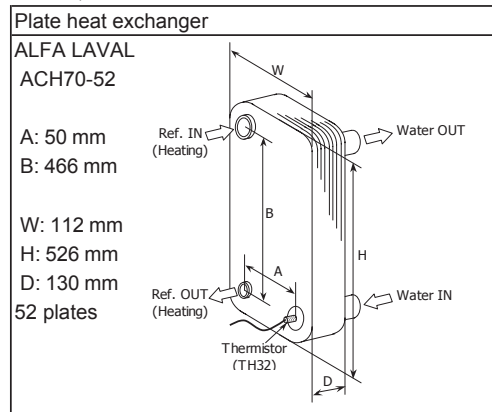
PUHZ-HW112YHA2 PUAZ-HW112YHA2-BS

Power supply (Phase, Voltage, Frequency)		3 φ, 400 V, 50 Hz	
Nominal water flow rate (Heating mode)		L/min	32.1
Heating (A7/W35)	Capacity	kW	11.20
	COP		4.42
	Power input	kW	2.53
Heating (A2/W35)	Capacity	kW	11.20
	COP		3.11
	Power input	kW	3.60
Pressure difference (water circuit)		kPa	6
Heating pump input (based on EN14511)		kW	0.01
Nominal water flow rate (Cooling mode)		L/min	28.7
Cooling (A35/W7)	Capacity	kW	10.00
	EER (COP)		2.78
	Power input	kW	3.60
Cooling (A35/W18)	Capacity	kW	10.00
	EER (COP)		4.10
	Power input	kW	2.44
Pressure difference (water circuit)		kPa	5
Cooling pump input (based on EN14511)		kW	0.01

Note: "COP" and "Power input" in the above table are values that contains the "pump input (based on EN 14511)".

Outdoor unit specifications			
Service ref.		PUHZ-HW112YHA2 PUHZ-HW112YHA2-BS	
Running current	Heating(A7/W35)	A	4.0
	Cooling(A35/W7)	A	5.6
Power factor	Heating(A7/W35)	%	95
	Cooling(A35/W7)	%	95
Max. current		A	13.0
Breaker size		A	16
Outer casing		Galvanized plate	
External finish		Munsell 3Y 7.8/1.1	
Refrigerant control		Linear expansion valve	
Compressor		Hermetic scroll	
	Model	ANB33FJFMT	
	Motor output	kW	2.5
	Start type	Inverter	
	Protection devices	HP switch LP switch Discharge thermo Overcurrent detection	
	Oil (Model)	L	0.9 (FV50S)
Crankcase heater		W	-
Heat exchanger	Air	Plate fin coil	
	Water	Plate heat exchanger	
Fan	Fan(drive)×No.	Propeller fan × 2	
	Fan motor output	kW	0.074 × 2
	Airflow	m ³ /min	100
(CFM)		(3,530)	
Defrost method		Reverse cycle ^{*1}	
Noise level (SPL)	Heating	dB	53 ^{*2}
	Cooling	dB	53 ^{*2}
Dimensions	Width	mm (in)	1020 (40-3/16)
	Depth	mm (in)	330 +30 ^{*3} (13+1-3/16)
	Height	mm (in)	1350 (53-1/8)
Weight		kg (lb)	148 (326.3)
Refrigerant		R410A	
	Quantity	kg (lb)	4.0 (8.8)
Guaranteed operating range (Outdoor)	Heating	°C	-25 to +21
	Cooling	°C	-5 ⁽⁴⁾ to +46
Outlet water temp. (Max in heating, Min in cooling)	Heating	°C	+60
	Cooling	°C	+5
Nominal return water temperature range	Heating	°C	+11 to +59
	Cooling	°C	+8 to +28
Water flow rate range		L/min	14.4 to 32.1 ⁵

Nominal operating condition	
Heating(A7/W35)	
Outside air temperature (Dry-bulb)	+ 7°C
Outside air temperature (Wet-bulb)	+ 6°C
Water temperature (inlet/outlet)	+30/+35°C
Heating(A2/W35)	
Outside air temperature (Dry-bulb)	+ 2°C
Outside air temperature (Wet-bulb)	+ 1°C
Water temperature (inlet/outlet)	-/+35°C
Cooling(A35/W7)	
Outside air temperature (Dry-bulb)	+35°C
Outside air temperature (Wet-bulb)	+ 24°C
Water temperature (inlet/outlet)	+12/+7°C
Cooling(A35/W18)	
Outside air temperature (Dry-bulb)	+35°C
Outside air temperature (Wet-bulb)	+ 24°C
Water temperature (inlet/outlet)	+23/+18°C



- *1 Hot gas with 4-way valve
- *2 at distance of 1m from outdoor unit
- *3 grille
- *4 With the optional air outlet guide, the operation at -15 °C outdoor temperature is possible.
- *5 For details of the minute return water temperature at each water flow rate, refer to "3-2. AVAILABLE RANGE (WATER FLOW RATE, RETURN WATER TEMP.)"

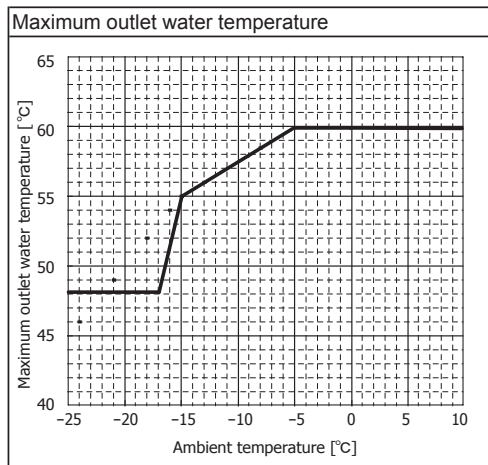
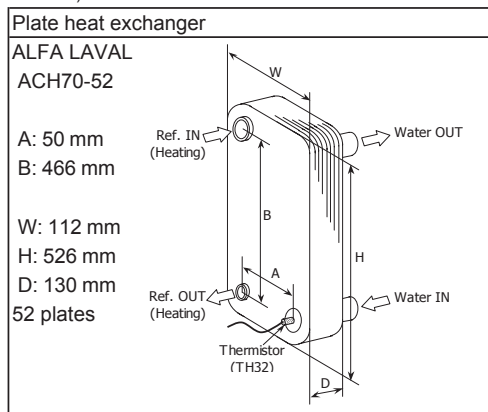
PUHZ-HW140VHA2 PUHZ-HW140VHA2-BS PUHZ-HW140VHA2R1-BS

Power supply (Phase, Voltage, Frequency)		1 φ, 230 V, 50 Hz	
Nominal water flow rate (Heating mode)		L/min	40.1
Heating (A7/W35)	Capacity	kW	14.00
	COP		4.25
	Power input	kW	3.29
Heating (A2/W35)	Capacity	kW	14.00
	COP		3.11
	Power input	kW	4.50
Pressure difference (water circuit)		kPa	9
Heating pump input (based on EN14511)		kW	0.02
Nominal water flow rate (Cooling mode)		L/min	35.8
Cooling (A35/W7)	Capacity	kW	12.50
	EER (COP)		2.50
	Power input	kW	5.00
Cooling (A35/W18)	Capacity	kW	12.50
	EER (COP)		3.60
	Power input	kW	3.47
Pressure difference (water circuit)		kPa	7
Cooling pump input (based on EN14511)		kW	0.02

Note: "COP" and "Power input" in the above table are values that contains the "pump input (based on EN 14511)".

Outdoor unit specifications			
Service ref.		PUHZ-HW140VHA2 PUHZ-HW140VHA2-BS PUHZ-HW140VHA2R1-BS	
Running current	Heating(A7/W35)	A	14.4
	Cooling(A35/W7)	A	22.2
Power factor	Heating(A7/W35)	%	97
	Cooling(A35/W7)	%	97
Max. current		A	35.0
Breaker size		A	40
Outer casing		Galvanized plate	
External finish		Munsell 3Y 7.8/1.1	
Refrigerant control		Linear expansion valve	
Compressor		Hermetic scroll	
	Model	ANB42FJGMT	
	Motor output	kW	3.0
	Start type	Inverter	
	Protection devices	HP switch LP switch Discharge thermo Overcurrent detection	
	Oil (Model)	L	0.9 (FV50S)
Crankcase heater		W	-
Heat exchanger	Air	Plate fin coil	
	Water	Plate heat exchanger	
Fan	Fan(drive)×No.	Propeller fan × 2	
	Fan motor output	kW	0.074 × 2
	Airflow	m ³ /min	100
(CFM)		(3,530)	
Defrost method		Reverse cycle ^{*1}	
Noise level (SPL)	Heating	dB	53 ^{*2}
	Cooling	dB	53 ^{*2}
Dimensions	Width	mm (in)	1020 (40-3/16)
	Depth	mm (in)	330 +30 ^{*3} (13+1-3/16)
	Height	mm (in)	1350 (53-1/8)
Weight		kg (lb)	134 (295.4)
Refrigerant		R410A	
	Quantity	kg (lb)	4.3 (9.5)
Guaranteed operating range (Outdoor)	Heating	°C	-25 to +21
	Cooling	°C	-5 ⁽⁴⁾ to +46
Outlet water temp. (Max in heating, Min in cooling)	Heating	°C	+60
	Cooling	°C	+5
Nominal return water temperature range	Heating	°C	+10 to +59
	Cooling	°C	+8 to +28
Water flow rate range		L/min	17.9 to 40.1 ^{*5}

Nominal operating condition	
Heating(A7/W35)	
Outside air temperature (Dry-bulb)	+ 7°C
Outside air temperature (Wet-bulb)	+ 6°C
Water temperature (inlet/outlet)	+30/+35°C
Heating(A2/W35)	
Outside air temperature (Dry-bulb)	+ 2°C
Outside air temperature (Wet-bulb)	+ 1°C
Water temperature (inlet/outlet)	-/+35°C
Cooling(A35/W7)	
Outside air temperature (Dry-bulb)	+35°C
Outside air temperature (Wet-bulb)	+ 24°C
Water temperature (inlet/outlet)	+12/+7°C
Cooling(A35/W18)	
Outside air temperature (Dry-bulb)	+35°C
Outside air temperature (Wet-bulb)	+ 24°C
Water temperature (inlet/outlet)	+23/+18°C



^{*1} Hot gas with 4-way valve
^{*2} at distance of 1m from outdoor unit
^{*3} grille
^{*4} With the optional air outlet guide, the operation at -15 °C outdoor temperature is possible.
^{*5} For details of the minute return water temperature at each water flow rate, refer to "3-2. AVAILABLE RANGE (WATER FLOW RATE, RETURN WATER TEMP.)".

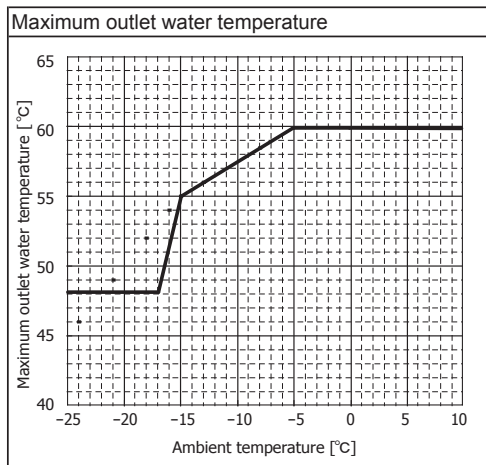
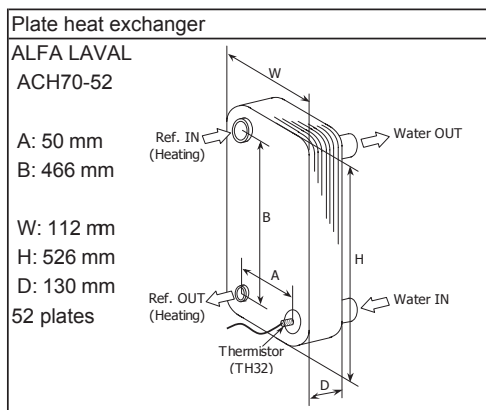
PUHZ-HW140YHA2 PUAZ-HW140YHA2-BS

Power supply (Phase, Voltage, Frequency)		3 φ, 400 V, 50 Hz	
Nominal water flow rate (Heating mode)		L/min	40.1
Heating (A7/W35)	Capacity	kW	14.00
	COP		4.25
	Power input	kW	3.29
Heating (A2/W35)	Capacity	kW	14.00
	COP		3.11
	Power input	kW	4.50
Pressure difference (water circuit)		kPa	9
Heating pump input (based on EN14511)		kW	0.02
Nominal water flow rate (Cooling mode)		L/min	35.8
Cooling (A35/W7)	Capacity	kW	12.50
	EER (COP)		2.50
	Power input	kW	5.00
Cooling (A35/W18)	Capacity	kW	12.50
	EER (COP)		3.60
	Power input	kW	3.47
Pressure difference (water circuit)		kPa	7
Cooling pump input (based on EN14511)		kW	0.02

Note: "COP" and "Power input" in the above table are values that contains the "pump input (based on EN 14511)".

Nominal operating condition	
Heating(A7/W35)	
Outside air temperature (Dry-bulb)	+ 7°C
Outside air temperature (Wet-bulb)	+ 6°C
Water temperature (inlet/outlet)	+30/+35°C
Heating(A2/W35)	
Outside air temperature (Dry-bulb)	+ 2°C
Outside air temperature (Wet-bulb)	+ 1°C
Water temperature (inlet/outlet)	-/+35°C
Cooling(A35/W7)	
Outside air temperature (Dry-bulb)	+35°C
Outside air temperature (Wet-bulb)	+ 24°C
Water temperature (inlet/outlet)	+12/+7°C
Cooling(A35/W18)	
Outside air temperature (Dry-bulb)	+35°C
Outside air temperature (Wet-bulb)	+ 24°C
Water temperature (inlet/outlet)	+23/+18°C

Outdoor unit specifications			
Service ref.		PUHZ-HW140YHA2 PUHZ-HW140YHA2-BS	
Running current	Heating(A7/W35)	A	5.0
	Cooling(A35/W7)	A	7.6
Power factor	Heating(A7/W35)	%	95
	Cooling(A35/W7)	%	95
Max. current		A	13.0
Breaker size		A	16
Outer casing	Galvanized plate		
External finish	Munsell 3Y 7.8/1.1		
Refrigerant control	Linear expansion valve		
Compressor	Hermetic scroll		
	Model	ANB42FJFMT	
	Motor output	kW	3.0
	Start type	Inverter	
	Protection devices	HP switch LP switch Discharge thermo Overcurrent detection	
	Oil (Model)	L	0.9 (FV50S)
Crankcase heater		W	-
Heat exchanger	Air	Plate fin coil	
	Water	Plate heat exchanger	
Fan	Fan(drive)×No.	Propeller fan × 2	
	Fan motor output	kW	0.074 × 2
	Airflow	m ³ /min (CFM)	100 (3,530)
Defrost method	Reverse cycle ^{*1}		
Noise level (SPL)	Heating	dB	53 ^{*2}
	Cooling	dB	53 ^{*2}
Dimensions	Width	mm (in)	1020 (40-3/16)
	Depth	mm (in)	330 +30 ⁻³ (13+1-3/16)
	Height	mm (in)	1350 (53-1/8)
Weight		kg (lb)	148 (326.3)
Refrigerant		R410A	
	Quantity	kg (lb)	4.3 (9.5)
Guaranteed operating range (Outdoor)	Heating	°C	-25 to +21
	Cooling	°C	-5 ⁽⁴⁾ to +46
Outlet water temp. (Max in heating, Min in cooling)	Heating	°C	+60
	Cooling	°C	+5
Nominal return water temperature range	Heating	°C	+10 to +59
	Cooling	°C	+8 to +28
Water flow rate range		L/min	17.9 to 40.1 ⁵



^{*1} Hot gas with 4-way valve
^{*2} at distance of 1m from outdoor unit
^{*3} grille
^{*4} With the optional air outlet guide, the operation at -15 °C outdoor temperature is possible.
^{*5} For details of the minute return water temperature at each water flow rate, refer to "3-2. AVAILABLE RANGE (WATER FLOW RATE, RETURN WATER TEMP.)".

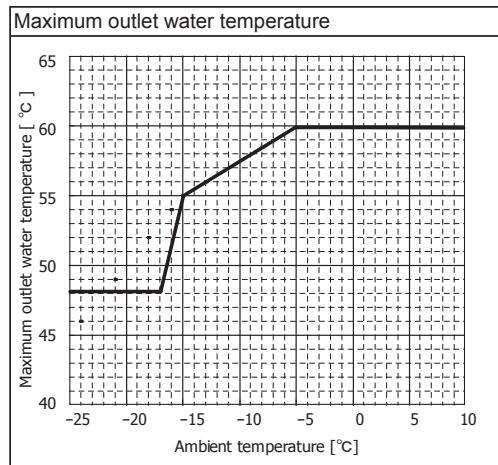
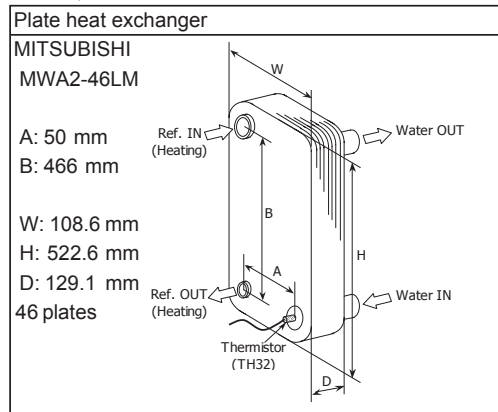
PUHZ-HW112YHA2R1 PUHZ-HW112YHA2R1-BS

Power supply (Phase, Voltage, Frequency)		3 φ, 400 V, 50 Hz	
Nominal water flow rate (Heating mode)		L/min	32.1
Heating (A7/W35)	Capacity	kW	11.20
	COP		4.42
	Power input	kW	2.53
Heating (A2/W35)	Capacity	kW	11.20
	COP		3.11
	Power input	kW	3.60
Pressure difference (water circuit)		kPa	6.3
Heating pump input (based on EN14511)		kW	0.01
Nominal water flow rate (Cooling mode)		L/min	28.7
Cooling (A35/W7)	Capacity	kW	10.00
	EER (COP)		2.78
	Power input	kW	3.60
Cooling (A35/W18)	Capacity	kW	10.00
	EER (COP)		4.10
	Power input	kW	2.44
Pressure difference (water circuit)		kPa	5
Cooling pump input (based on EN14511)		kW	0.01

Note: "COP" and "Power input" in the above table are values that contains the "pump input (based on EN 14511)".

Outdoor unit specifications			
Service ref.		PUHZ-HW112YHA2R1 PUHZ-HW112YHA2R1-BS	
Running current	Heating(A7/W35)	A	4.0
	Cooling(A35/W7)	A	5.6
Power factor	Heating(A7/W35)	%	95
	Cooling(A35/W7)	%	95
Max. current		A	13.0
Breaker size		A	16
Outer casing		Galvanized plate	
External finish		Munsell 3Y 7.8/1.1	
Refrigerant control		Linear expansion valve	
Compressor		Hermetic scroll	
	Model	ANB33FJFMT	
	Motor output	kW	2.5
	Start type	Inverter	
	Protection devices	HP switch LP switch Discharge thermo Overcurrent detection	
	Oil (Model)	L	0.9 (FV50S)
Crankcase heater		W	-
Heat exchanger	Air	Plate fin coil	
	Water	Plate heat exchanger	
Fan	Fan(drive)×No.	Propeller fan × 2	
	Fan motor output	kW	0.074 × 2
	Airflow	m ³ /min	100
(CFM)		(3,530)	
Defrost method		Reverse cycle ^{*1}	
Noise level (SPL)	Heating	dB	53 ^{*2} ~ ^{*3}
	Cooling	dB	53 ^{*2}
Dimensions	Width	mm (in)	1020 (40-3/16)
	Depth	mm (in)	330 +30 ⁻⁴ (13+1-3/16)
	Height	mm (in)	1350 (53-1/8)
Weight		kg (lb)	148 (326.3)
Refrigerant		R410A	
	Quantity	kg (lb)	4.0 (8.8)
Guaranteed operating range (Outdoor)	Heating	°C	-25 ⁽⁵⁾ to +21
	Cooling	°C	-5 ⁽⁶⁾ to +46
Outlet water temp. (Max in heating, Min in cooling)	Heating	°C	+60
	Cooling	°C	+5
Nominal return water temperature range	Heating	°C	+5 ⁽⁷⁾ to +59
	Cooling	°C	+8 to +28
Water flow rate range		L/min	14.4 to 32.1 ^{*8}

Nominal operating condition	
Heating(A7/W35)	
Outside air temperature (Dry-bulb)	+ 7°C
Outside air temperature (Wet-bulb)	+ 6°C
Water temperature (inlet/outlet)	+30/+35°C
Heating(A2/W35)	
Outside air temperature (Dry-bulb)	+ 2°C
Outside air temperature (Wet-bulb)	+ 1°C
Water temperature (inlet/outlet)	-/+35°C
Cooling(A35/W7)	
Outside air temperature (Dry-bulb)	+35°C
Outside air temperature (Wet-bulb)	+ 24°C
Water temperature (inlet/outlet)	+12/+7°C
Cooling(A35/W18)	
Outside air temperature (Dry-bulb)	+35°C
Outside air temperature (Wet-bulb)	+ 24°C
Water temperature (inlet/outlet)	+23/+18°C



^{*1} Hot gas with 4-way valve
^{*2} at distance of 1 m from outdoor unit
^{*3} A weighted sound power level in accordance with ISO9614-1 for EN14511 testing is 67 dBA.
^{*4} grille
^{*5} Lower limit of use is -5°C for EN14511 testing purposes.
^{*6} With the optional air outlet guide, the operation at -15°C outdoor temperature is possible.
^{*7} Lowest entering temperature is 12°C for EN14511 testing purposes.
^{*8} For details of the minute return water temperature at each water flow rate, refer to "3-2. AVAILABLE RANGE (WATER FLOW RATE, RETURN WATER TEMP.)".

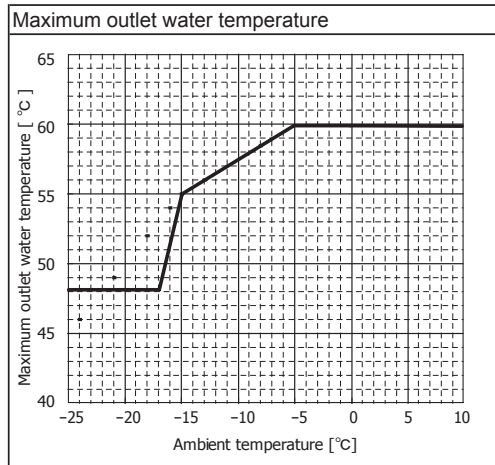
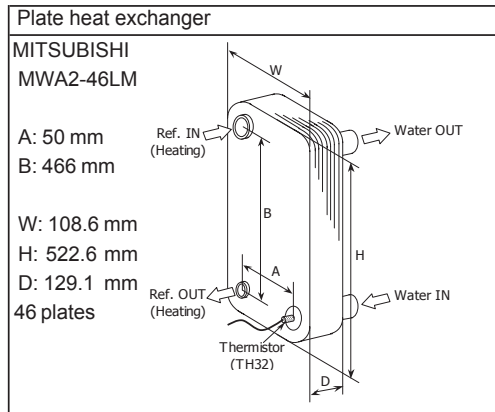
PUHZ-HW112YHA2R3 PUHZ-HW112YHA2R3-BS PUHZ-HW112YHA2R4 PUHZ-HW112YHA2R4-BS

Power supply (Phase, Voltage, Frequency)		3 φ, 400V, 50Hz	
Nominal water flow rate (Heating mode)		L/min	32.1
Heating (A7/W35)	Capacity	kW	11.20
	COP		4.42
	Power input	kW	2.53
Heating (A2/W35)	Capacity	kW	11.20
	COP		3.11
	Power input	kW	3.60
Pressure difference (water circuit)		kPa	6.3
Heating pump input (based on EN14511)		kW	0.01
Nominal water flow rate (Cooling mode)		L/min	28.7
Cooling (A35/W7)	Capacity	kW	10.00
	EER (COP)		2.78
	Power input	kW	3.60
Cooling (A35/W18)	Capacity	kW	10.00
	EER (COP)		4.10
	Power input	kW	2.44
Pressure difference (water circuit)		kPa	5
Cooling pump input (based on EN14511)		kW	0.01

Nominal operating condition	
Heating(A7/W35)	
Outside air temperature (Dry-bulb)	+ 7°C
Outside air temperature (Wet-bulb)	+ 6°C
Water temperature (inlet/outlet)	+30/+35°C
Heating(A2/W35)	
Outside air temperature (Dry-bulb)	+ 2°C
Outside air temperature (Wet-bulb)	+ 1°C
Water temperature (inlet/outlet)	-/+35°C
Cooling(A35/W7)	
Outside air temperature (Dry-bulb)	+35°C
Outside air temperature (Wet-bulb)	+ 24°C
Water temperature (inlet/outlet)	+12/+7°C
Cooling(A35/W18)	
Outside air temperature (Dry-bulb)	+35°C
Outside air temperature (Wet-bulb)	+ 24°C
Water temperature (inlet/outlet)	+23/+18°C

Note: "COP" and "Power input" in the above table are values that contains the "pump input (based on EN 14511)".

Outdoor unit specifications			
Service ref.		PUHZ-HW112YHA2R3 PUHZ-HW112YHA2R3-BS PUHZ-HW112YHA2R4 PUHZ-HW112YHA2R4-BS	
Running current	Heating(A7/W35)	A	4.0
	Cooling(A35/W7)	A	5.6
Power factor	Heating(A7/W35)	%	95
	Cooling(A35/W7)	%	95
Max. current		A	13.0
Breaker size		A	16
Outer casing		Galvanized plate	
External finish		Munsell 3Y 7.8/1.1	
Refrigerant control		Linear expansion valve	
Compressor		Hermetic scroll	
	Model	ANB33FJJMT	
	Motor output	kW	2.5
	Start type	Inverter	
	Protection devices	HP switch LP switch Discharge thermo Comp. surface thermo Overcurrent detection	
	Oil (Model)	L	0.9 (FV50S)
Crankcase heater		W	-
Heat exchanger	Air	Plate fin coil	
	Water	Plate heat exchanger	
Fan	Fan(drive)×No.	Propeller fan × 2	
	Fan motor output	kW	0.074 × 2
	Airflow	m ³ /min	100
(CFM)		(3,530)	
Defrost method		Reverse cycle ^{*1}	
Noise level (SPL)	Heating	dB	53 ^{*2} ~*3
	Cooling	dB	53 ^{*2}
Dimensions	Width	mm (in)	1020 (40-3/16)
	Depth	mm (in)	330 +30 ^{*4} (13+1-3/16)
	Height	mm (in)	1350 (53-1/8)
Weight		kg (lb)	148 (326.3)
Refrigerant		R410A	
	Quantity	kg (lb)	4.0 (8.8)
Guaranteed operating range (Outdoor)	Heating	°C	-25 ⁽⁵⁾ to +21
	Cooling	°C	-5 ⁽⁶⁾ to +46
Outlet water temp. (Max in heating, Min in cooling)	Heating	°C	+60
	Cooling	°C	+5
Nominal return water temperature range	Heating	°C	+5 ⁽⁷⁾ to +59
	Cooling	°C	+8 to +28
Water flow rate range		L/min	14.4 to 32.1 ⁸



- *1 Hot gas with 4-way valve
- *2 at distance of 1 m from outdoor unit
- *3 A weighted sound power level in accordance with ISO9614-1 for EN14511 testing is 67 dBA.
- *4 grille
- *5 Lower limit of use is -5°C for EN14511 testing purposes.
- *6 With the optional air outlet guide, the operation at -15°C outdoor temperature is possible.
- *7 Lowest entering temperature is 12°C for EN14511 testing purposes.
- *8 For details of the minute return water temperature at each water flow rate, refer to "3-2. AVAILABLE RANGE (WATER FLOW RATE, RETURN WATER TEMP.)".

PUHZ-HW112YHA2R5 PPUHZ-HW112YHA2R6
UHZ-HW112YHA2R5-BS PUHZ-HW112YHA2R6-BS

Power supply (Phase, Voltage, Frequency)		3 φ, 400 V, 50Hz	
Nominal water flow rate (Heating mode)		L/min	32.1
Heating (A7/W35)	Capacity	kW	11.20
	COP		4.43
	Power input	kW	2.53
Heating (A2/W35)	Capacity	kW	11.20
	COP		3.11
	Power input	kW	3.60
Pressure difference (water circuit)		kPa	6.3
Heating pump input (based on EN14511)		kW	0.01
Nominal water flow rate (Cooling mode)		L/min	28.7
Cooling (A35/W7)	Capacity	kW	10.00
	EER (COP)		2.78
	Power input	kW	3.60
Cooling (A35/W18)	Capacity	kW	10.00
	EER (COP)		4.10
	Power input	kW	2.44
Pressure difference (water circuit)		kPa	6
Cooling pump input (based on EN14511)		kW	0.01

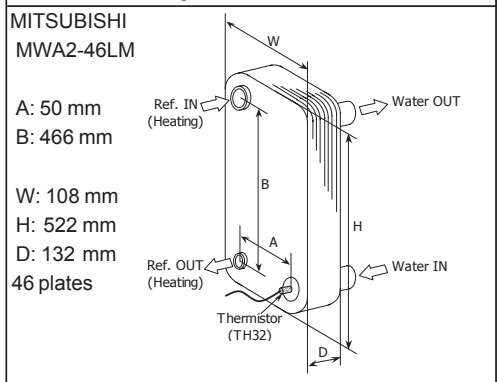
Note: "COP" and "Power input" in the above table are values that contains the "pump input (based on EN 14511)".

Outdoor unit specifications

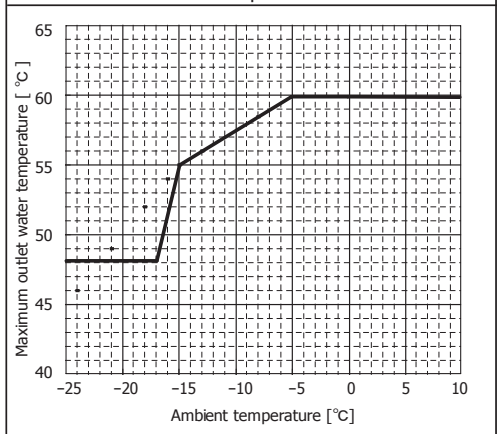
Service ref.		PUHZ-HW112YHA2R5(-BS) PUHZ-HW112YHA2R6(-BS)	
Running current	Heating(A7/W35)	A	4.0
	Cooling(A35/W7)	A	5.6
Power factor	Heating(A7/W35)	%	95
	Cooling(A35/W7)	%	95
Max. current		A	13.0
Breaker size		A	16
Outer casing	Galvanized plate		
External finish	Munsell 3Y 7.8/1.1		
Refrigerant control	Linear expansion valve		
Compressor	Hermetic scroll		
	Model	ANB33FJJMT	
	Motor output	kW	2.5
	Start type	Inverter	
	Protection devices	HP switch LP switch Discharge thermo Comp. surface thermo Overcurrent detection	
	Oil (Model)	L	R5:0.9, R6:1.4 (FV50S)
Crankcase heater		W	-
Heat exchanger	Air	Plate fin coil	
	Water	Plate heat exchanger	
Fan	Fan(drive)×No.	Propeller fan × 2	
	Fan motor output	kW	0.074 × 2
	Airflow	m ³ /min	100
(CFM)		(3,530)	
Defrost method	Reverse cycle ^{*1}		
Noise level (SPL)	Heating	dB	53 ^{*2 *3}
	Cooling	dB	53 ^{*2}
Dimensions	Width	mm (in)	1020 (40-3/16)
	Depth	mm (in)	330 +30 ^{*4} (13+1-3/16)
	Height	mm (in)	1350 (53-1/8)
Weight		kg (lb)	148 (326)
Refrigerant			R410A
	Quantity	kg (lb)	4.0 (8.8)
Guaranteed operating range (Outdoor)	Heating	°C	-25 ⁽⁵⁾ to +21
	Cooling	°C	-5 ⁽⁶⁾ to +46
Outlet water temp. (Max in heating, Min in cooling)	Heating	°C	+60
	Cooling	°C	+5
Nominal return water temperature range	Heating	°C	+5 ⁽⁷⁾ to +59
	Cooling	°C	+8 to +28
Water flow rate range		L/min	14.4 to 32.1 ¹⁸

Nominal operating condition	
Heating(A7/W35)	
Outside air temperature (Dry-bulb)	+ 7°C
Outside air temperature (Wet-bulb)	+ 6°C
Water temperature (inlet/outlet)	+30/+35°C
Heating(A2/W35)	
Outside air temperature (Dry-bulb)	+ 2°C
Outside air temperature (Wet-bulb)	+ 1°C
Water temperature (inlet/outlet)	-/+35°C
Cooling(A35/W7)	
Outside air temperature (Dry-bulb)	+35°C
Outside air temperature (Wet-bulb)	+ 24°C
Water temperature (inlet/outlet)	+12/+7°C
Cooling(A35/W18)	
Outside air temperature (Dry-bulb)	+35°C
Outside air temperature (Wet-bulb)	+ 24°C
Water temperature (inlet/outlet)	+23/+18°C

Plate heat exchanger



Maximum outlet water temperature



- *1 Hot gas with 4-way valve
- *2 at distance of 1 m from outdoor unit
- *3 A weighted sound power level in accordance with ISO9614-1 for EN14511 testing is 67 dBA.
- *4 grille
- *5 Lower limit of use is -5°C for EN14511 testing purposes.
- *6 With the optional air outlet guide, the operation at -15°C outdoor temperature is possible.
- *7 Lowest entering temperature is 12°C for EN14511 testing purposes.
- *8 For details of the minute return water temperature at each water flow rate, refer to "3-2. AVAILABLE RANGE (WATER FLOW RATE, RETURN WATER TEMP.)".

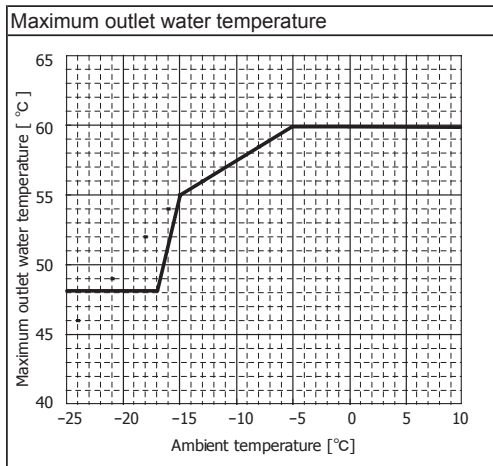
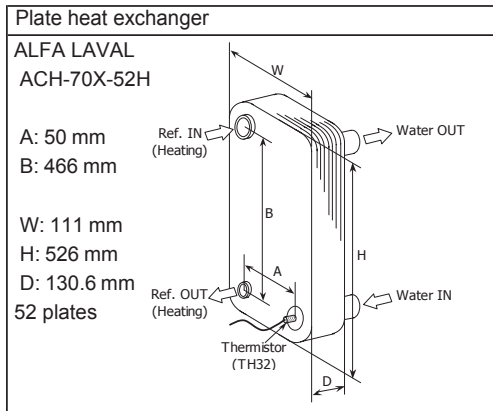
PUHZ-HW112YHA2R7 PUAZ-HW112YHA2R7-BS

Power supply (Phase, Voltage, Frequency)		3 φ, 400 V, 50Hz	
Nominal water flow rate (Heating mode)		L/min	32.1
Heating (A7/W35)	Capacity	kW	11.20
	COP		4.43
	Power input	kW	2.53
Heating (A2/W35)	Capacity	kW	11.20
	COP		3.11
	Power input	kW	3.60
Pressure difference (water circuit)		kPa	6
Heating pump input (based on EN14511)		kW	0.01
Nominal water flow rate (Cooling mode)		L/min	28.7
Cooling (A35/W7)	Capacity	kW	10.00
	EER (COP)		2.78
	Power input	kW	3.60
Cooling (A35/W18)	Capacity	kW	10.00
	EER (COP)		4.10
	Power input	kW	2.44
Pressure difference (water circuit)		kPa	5
Cooling pump input (based on EN14511)		kW	0.01

Nominal operating condition	
Heating(A7/W35)	
Outside air temperature (Dry-bulb)	+ 7°C
Outside air temperature (Wet-bulb)	+ 6°C
Water temperature (inlet/outlet)	+30/+35°C
Heating(A2/W35)	
Outside air temperature (Dry-bulb)	+ 2°C
Outside air temperature (Wet-bulb)	+ 1°C
Water temperature (inlet/outlet)	-/+35°C
Cooling(A35/W7)	
Outside air temperature (Dry-bulb)	+35°C
Outside air temperature (Wet-bulb)	+ 24°C
Water temperature (inlet/outlet)	+12/+7°C
Cooling(A35/W18)	
Outside air temperature (Dry-bulb)	+35°C
Outside air temperature (Wet-bulb)	+ 24°C
Water temperature (inlet/outlet)	+23/+18°C

Note: "COP" and "Power input" in the above table are values that contains the "pump input (based on EN 14511)".

Outdoor unit specifications			
Service ref.		PUHZ-HW112YHA2R7(-BS)	
Running current	Heating(A7/W35)	A	4.0
	Cooling(A35/W7)	A	5.6
Power factor	Heating(A7/W35)	%	95
	Cooling(A35/W7)	%	95
Max. current		A	13.0
Breaker size		A	16
Outer casing	Galvanized plate		
External finish	Munsell 3Y 7.8/1.1		
Refrigerant control	Linear expansion valve		
Compressor	Hermetic scroll		
	Model	ANB33FJJMT	
	Motor output	kW	2.5
	Start type	Inverter	
	Protection devices	HP switch LP switch Discharge thermo Comp. surface thermo Overcurrent detection	
	Oil (Model)	L	R5:0.9, R6:1.4 (FV50S)
Crankcase heater		W	-
Heat exchanger	Air	Plate fin coil	
	Water	Plate heat exchanger	
Fan	Fan(drive)×No.	Propeller fan × 2	
	Fan motor output	kW	0.074 × 2
	Airflow	m ³ /min (CFM)	100 (3,530)
Defrost method	Reverse cycle ^{*1}		
Noise level (SPL)	Heating	dB	53 ⁺² - ⁺³
	Cooling	dB	53 ⁺²
Dimensions	Width	mm (in)	1020 (40-3/16)
	Depth	mm (in)	330 +30 ⁺⁴ (13+1-3/16)
	Height	mm (in)	1350 (53-1/8)
Weight		kg (lb)	148 (326)
Refrigerant			R410A
	Quantity	kg (lb)	4.0 (8.8)
Guaranteed operating range (Outdoor)	Heating	°C	-25 ⁽⁵⁾ to +21
	Cooling	°C	-5 ⁽⁶⁾ to +46
Outlet water temp.	Heating	°C	+60
(Max in heating, Min in cooling)	Cooling	°C	+5
Nominal return water temperature range	Heating	°C	+5 ⁽⁷⁾ to +59
	Cooling	°C	+8 to +28
Water flow rate range		L/min	14.4 to 32.1 ⁸



^{*1} Hot gas with 4-way valve
^{*2} at distance of 1 m from outdoor unit
^{*3} A weighted sound power level in accordance with ISO9614-1 for EN14511 testing is 67 dBA.
^{*4} grille
^{*5} Lower limit of use is -5°C for EN14511 testing purposes.
^{*6} With the optional air outlet guide, the operation at -15°C outdoor temperature is possible.
^{*7} Lowest entering temperature is 12°C for EN14511 testing purposes.
^{*8} For details of the minute return water temperature at each water flow rate, refer to "3-2. AVAILABLE RANGE (WATER FLOW RATE, RETURN WATER TEMP.)".

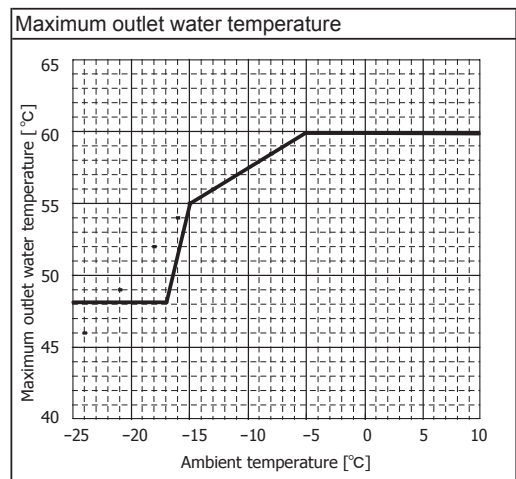
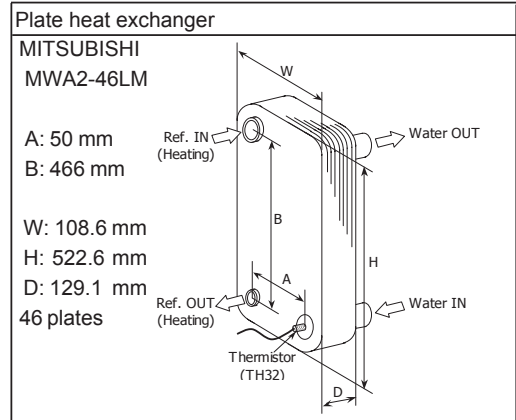
PUHZ-HW140VHA2R1 PUAHZ-HW140VHA2R2-BS

Power supply (Phase, Voltage, Frequency)		1 φ, 230V, 50Hz	
Nominal water flow rate (Heating mode)		L/min	40.1
Heating (A7/W35)	Capacity	kW	14.00
	COP		4.25
	Power input	kW	3.29
Heating (A2/W35)	Capacity	kW	14.00
	COP		3.11
	Power input	kW	4.50
Pressure difference (water circuit)		kPa	9.6
Heating pump input (based on EN14511)		kW	0.02
Nominal water flow rate (Cooling mode)		L/min	35.8
Cooling (A35/W7)	Capacity	kW	12.50
	EER (COP)		2.50
	Power input	kW	5.00
Cooling (A35/W18)	Capacity	kW	12.50
	EER (COP)		3.60
	Power input	kW	3.47
Pressure difference (water circuit)		kPa	7.7
Cooling pump input (based on EN14511)		kW	0.02

Note: "COP" and "Power input" in the above table are values that contains the "pump input (based on EN 14511)".

Outdoor unit specifications			
Service ref.		PUHZ-HW140VHA2R1 PUHZ-HW140VHA2R2-BS	
Running current	Heating(A7/W35)	A	14.4
	Cooling(A35/W7)	A	22.2
Power factor	Heating(A7/W35)	%	97
	Cooling(A35/W7)	%	97
Max. current		A	35.0
Breaker size		A	40
Outer casing	Galvanized plate		
External finish	Munsell 3Y 7.8/1.1		
Refrigerant control	Linear expansion valve		
Compressor	Hermetic scroll		
	Model	ANB42FJGMT	
	Motor output	kW	2.5
	Start type	Inverter	
	Protection devices	HP switch LP switch Discharge thermo Overcurrent detection	
	Oil (Model)	L	0.9 (FV50S)
Crankcase heater		W	-
Heat exchanger	Air	Plate fin coil	
	Water	Plate heat exchanger	
Fan	Fan(drive)×No.	Propeller fan × 2	
	Fan motor output	kW	0.074 × 2
	Airflow	m ³ /min	100
(CFM)		(3,530)	
Defrost method	Reverse cycle ^{*1}		
Noise level (SPL)	Heating	dB	53 ^{*2,3}
	Cooling	dB	53 ^{*2}
Dimensions	Width	mm (in)	1020 (40-3/16)
	Depth	mm (in)	330 +30 ^{*4} (13+1-3/16)
	Height	mm (in)	1350 (53-1/8)
Weight		kg (lb)	134 (295.4)
Refrigerant	R410A		
	Quantity	kg (lb)	4.3 (9.5)
Guaranteed operating range (Outdoor)	Heating	°C	-25 ⁽⁵⁾ to +21
	Cooling	°C	-5 ⁽⁶⁾ to +46
Outlet water temp. (Max in heating, Min in cooling)	Heating	°C	+60
	Cooling	°C	+5
Nominal return water temperature range	Heating	°C	+5 ⁽⁷⁾ to +59
	Cooling	°C	+8 to +28
Water flow rate range		L/min	17.9 to 40.1 ⁸

Nominal operating condition	
Heating(A7/W35)	
Outside air temperature (Dry-bulb)	+ 7°C
Outside air temperature (Wet-bulb)	+ 6°C
Water temperature (inlet/outlet)	+30/+35°C
Heating(A2/W35)	
Outside air temperature (Dry-bulb)	+ 2°C
Outside air temperature (Wet-bulb)	+ 1°C
Water temperature (inlet/outlet)	-/+35°C
Cooling(A35/W7)	
Outside air temperature (Dry-bulb)	+35°C
Outside air temperature (Wet-bulb)	+ 24°C
Water temperature (inlet/outlet)	+12/+7°C
Cooling(A35/W18)	
Outside air temperature (Dry-bulb)	+35°C
Outside air temperature (Wet-bulb)	+ 24°C
Water temperature (inlet/outlet)	+23/+18°C



^{*1} Hot gas with 4-way valve
^{*2} at distance of 1m from outdoor unit
^{*3} A weighted sound power level in accordance with ISO9614-1 for EN14511 testing is 67 dBA.
^{*4} grille
^{*5} Lower limit of use is -5 °C for EN14511 testing purposes.
^{*6} With the optional air outlet guide, the operation at -15 °C outdoor temperature is possible.
^{*7} Lowest entering temperature is 12 °C for EN14511 testing purposes.
^{*8} For details of the minute return water temperature at each water flow rate, refer to "3-2. AVAILABLE RANGE (WATER FLOW RATE, RETURN WATER TEMP.)".

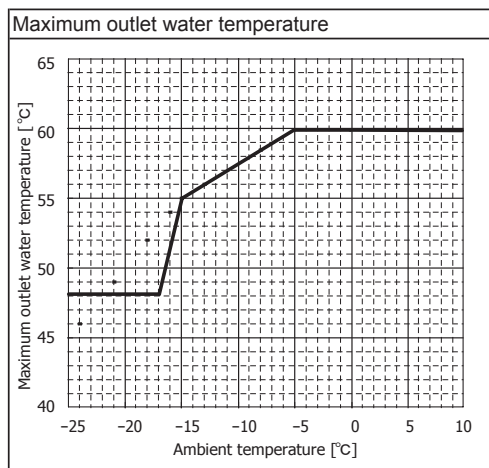
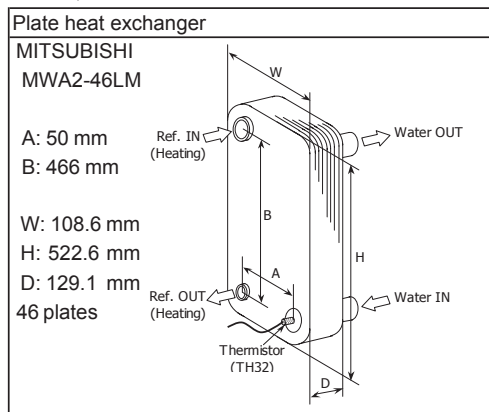
PUHZ-HW140VHA2R3 PUHZ-HW140VHA2R3-BS PUHZ-HW140VHA2R4 PUHZ-HW140VHA2R4-BS

Power supply (Phase, Voltage, Frequency)		1 φ, 230V, 50Hz	
Nominal water flow rate (Heating mode)		L/min	40.1
Heating (A7/W35)	Capacity	kW	14.00
	COP		4.25
	Power input	kW	3.29
Heating (A2/W35)	Capacity	kW	14.00
	COP		3.11
	Power input	kW	4.50
Pressure difference (water circuit)		kPa	9.6
Heating pump input (based on EN14511)		kW	0.02
Nominal water flow rate (Cooling mode)		L/min	35.8
Cooling (A35/W7)	Capacity	kW	12.50
	EER (COP)		2.50
	Power input	kW	5.00
Cooling (A35/W18)	Capacity	kW	12.50
	EER (COP)		3.60
	Power input	kW	3.47
Pressure difference (water circuit)		kPa	7.7
Cooling pump input (based on EN14511)		kW	0.02

Nominal operating condition	
Heating(A7/W35)	
Outside air temperature (Dry-bulb)	+ 7°C
Outside air temperature (Wet-bulb)	+ 6°C
Water temperature (inlet/outlet)	+30/+35°C
Heating(A2/W35)	
Outside air temperature (Dry-bulb)	+ 2°C
Outside air temperature (Wet-bulb)	+ 1°C
Water temperature (inlet/outlet)	-/+35°C
Cooling(A35/W7)	
Outside air temperature (Dry-bulb)	+35°C
Outside air temperature (Wet-bulb)	+ 24°C
Water temperature (inlet/outlet)	+12/+7°C
Cooling(A35/W18)	
Outside air temperature (Dry-bulb)	+35°C
Outside air temperature (Wet-bulb)	+ 24°C
Water temperature (inlet/outlet)	+23/+18°C

Note: "COP" and "Power input" in the above table are values that contains the "pump input (based on EN 14511)".

Outdoor unit specifications			
Service ref.		PUHZ-HW140VHA2R3 PUHZ-HW140VHA2R3-BS PUHZ-HW140VHA2R4 PUHZ-HW140VHA2R4-BS	
Running current	Heating(A7/W35)	A	14.4
	Cooling(A35/W7)	A	22.2
Power factor	Heating(A7/W35)	%	97
	Cooling(A35/W7)	%	97
Max. current	A	35.0	
Breaker size	A	40	
Outer casing		Galvanized plate	
External finish		Munsell 3Y 7.8/1.1	
Refrigerant control		Linear expansion valve	
Compressor		Hermetic scroll	
Model		ANB42FJKMT	
Motor output	kW	2.5	
Start type		Inverter	
Protection devices		HP switch LP switch Discharge thermo Comp. surface thermo Overcurrent detection	
Oil (Model)	L	0.9 (FV50S)	
Crankcase heater	W	-	
Heat exchanger	Air	Plate fin coil	
	Water	Plate heat exchanger	
Fan	Fan(drive)×No.	Propeller fan × 2	
	Fan motor output	kW	0.074 × 2
	Airflow	m ³ /min	100
(CFM)		(3,530)	
Defrost method		Reverse cycle ^{*1}	
Noise level (SPL)	Heating	dB	53 ^{*2*}
	Cooling	dB	53 ^{*2}
Dimensions	Width	mm (in)	1020 (40-3/16)
	Depth	mm (in)	330 +30 ^{*4} (13+1-3/16)
	Height	mm (in)	1350 (53-1/8)
Weight	kg (lb)	134 (295.4)	
Refrigerant		R410A	
Quantity		kg (lb)	4.3 (9.5)
Guaranteed operating range (Outdoor)	Heating	°C	-25 ⁽⁵⁾ to +21
	Cooling	°C	-5 ⁽⁶⁾ to +46
Outlet water temp. (Max in heating, Min in cooling)	Heating	°C	+60
	Cooling	°C	+5
Nominal return water temperature range	Heating	°C	+5 ⁽⁷⁾ to +59
	Cooling	°C	+8 to +28
Water flow rate range	L/min	17.9 to 40.1 ^{*8}	



- *1 Hot gas with 4-way valve
- *2 at distance of 1 m from outdoor unit
- *3 A weighted sound power level in accordance with ISO9614-1 for EN14511 testing is 67 dBA.
- *4 grille
- *5 Lower limit of use is -5°C for EN14511 testing purposes.
- *6 With the optional air outlet guide, the operation at -15°C outdoor temperature is possible.
- *7 Lowest entering temperature is 12 °C for EN14511 testing purposes.
- *8 For details of the minute return water temperature at each water flow rate, refer to "3-2. AVAILABLE RANGE (WATER FLOW RATE, RETURN WATER TEMP.)".

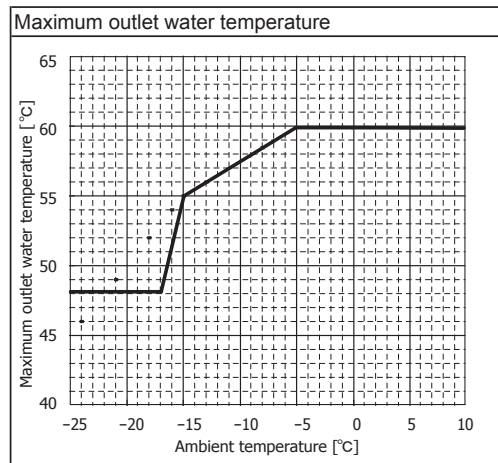
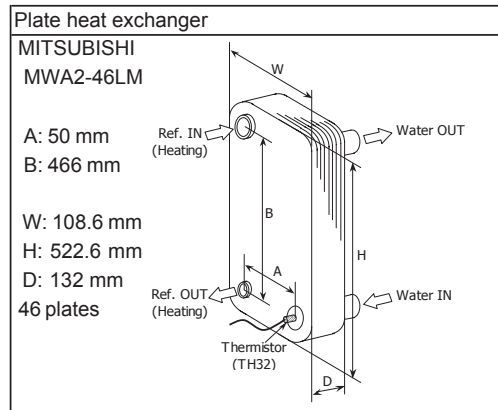
PUHZ-HW140VHA2R5 PUAHZ-HW140VHA2R6
PUHZ-HW140VHA2R5-BS PUAHZ-HW140VHA2R6-BS

Power supply (Phase, Voltage, Frequency)		1 φ, 230 V, 50 Hz	
Nominal water flow rate (Heating mode)		L/min	40.1
Heating (A7/W35)	Capacity	kW	14.00
	COP		4.25
	Power input	kW	3.29
Heating (A2/W35)	Capacity	kW	14.00
	COP		3.11
	Power input	kW	4.50
Pressure difference (water circuit)		kPa	9
Heating pump input (based on EN14511)		kW	0.02
Nominal water flow rate (Cooling mode)		L/min	35.8
Cooling (A35/W7)	Capacity	kW	12.50
	EER (COP)		2.50
	Power input	kW	5.00
Cooling (A35/W18)	Capacity	kW	12.50
	EER (COP)		3.60
	Power input	kW	3.47
Pressure difference (water circuit)		kPa	7
Cooling pump input (based on EN14511)		kW	0.02

Note: "COP" and "Power input" in the above table are values that contains the "pump input (based on EN 14511)".

Outdoor unit specifications			
Service ref.		PUHZ-HW140VHA2R5(-BS) PUHZ-HW140VHA2R6(-BS)	
Running current	Heating(A7/W35)	A	14.4
	Cooling(A35/W7)	A	22.2
Power factor	Heating(A7/W35)	%	97
	Cooling(A35/W7)	%	97
Max. current		A	35.0
Breaker size		A	40
Outer casing		Galvanized plate	
External finish		Munsell 3Y 7.8/1.1	
Refrigerant control		Linear expansion valve	
Compressor		Hermetic scroll	
	Model	ANB42FJKMT	
	Motor output	kW	2.8
	Start type	Inverter	
	Protection devices	HP switch LP switch Discharge thermo Comp. surface thermo Overcurrent detection	
	Oil (Model)	L	R5: 0.9, R6: 1.4 (FV50S)
Crankcase heater		W	-
Heat exchanger	Air	Plate fin coil	
	Water	Plate heat exchanger	
Fan	Fan(drive)×No.	Propeller fan × 2	
	Fan motor output	kW	0.074 × 2
	Airflow	m ³ /min	100
(CFM)		(3,530)	
Defrost method		Reverse cycle ^{*1}	
Noise level (SPL)	Heating	dB	53 ^{*2, *3}
	Cooling	dB	53 ^{*2}
Dimensions	Width	mm (in)	1020 (40-3/16)
	Depth	mm (in)	330 +30 ^{*4} (13+1-3/16)
	Height	mm (in)	1350 (53-1/8)
Weight		kg (lb)	134 (296)
Refrigerant		R410A	
	Quantity	kg (lb)	4.3 (9.5)
Guaranteed operating range (Outdoor)	Heating	°C	-25 ^{(*)5} to +21
	Cooling	°C	-5 ^{(*)6} to +46
Outlet water temp. (Max in heating, Min in cooling)	Heating	°C	+60
	Cooling	°C	+5
Nominal return water temperature range	Heating	°C	+5 ^{(*)7} to +59
	Cooling	°C	+8 to +28
Water flow rate range		L/min	17.9 to 40.1 ^{*8}

Nominal operating condition	
Heating(A7/W35)	
Outside air temperature (Dry-bulb)	+ 7°C
Outside air temperature (Wet-bulb)	+ 6°C
Water temperature (inlet/outlet)	+30/+35°C
Heating(A2/W35)	
Outside air temperature (Dry-bulb)	+ 2°C
Outside air temperature (Wet-bulb)	+ 1°C
Water temperature (inlet/outlet)	-/+35°C
Cooling(A35/W7)	
Outside air temperature (Dry-bulb)	+35°C
Outside air temperature (Wet-bulb)	+ 24°C
Water temperature (inlet/outlet)	+12/+7°C
Cooling(A35/W18)	
Outside air temperature (Dry-bulb)	+35°C
Outside air temperature (Wet-bulb)	+ 24°C
Water temperature (inlet/outlet)	+23/+18°C



*1 Hot gas with 4-way valve
*2 at distance of 1 m from outdoor unit
*3 A weighted sound power level in accordance with ISO9614-1 for EN14511 testing is 67 dBA.
*4 grille
*5 Lower limit of use is -5°C for EN14511 testing purposes.
*6 With the optional air outlet guide, the operation at -15°C outdoor temperature is possible.
*7 Lowest entering temperature is 12 °C for EN14511 testing purposes.
*8 For details of the minute return water temperature at each water flow rate, refer to "3-2. AVAILABLE RANGE (WATER FLOW RATE, RETURN WATER TEMP.)".

PUHZ-HW140VHA2R7

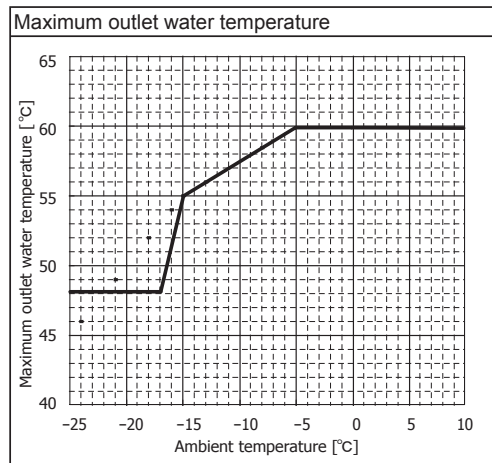
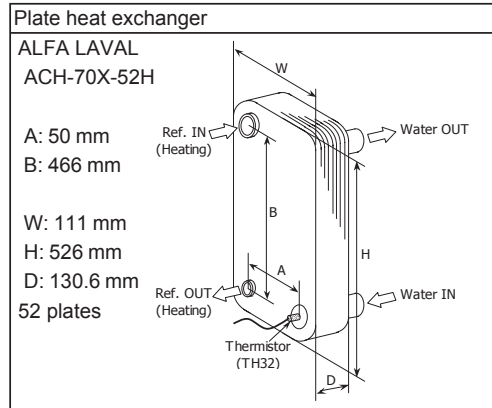
PUHZ-HW140VHA2R7-BS

Power supply (Phase, Voltage, Frequency)		1 φ, 230 V, 50 Hz	
Nominal water flow rate (Heating mode)		L/min	40.1
Heating (A7/W35)	Capacity	kW	14.00
	COP		4.25
	Power input	kW	3.29
Heating (A2/W35)	Capacity	kW	14.00
	COP		3.11
	Power input	kW	4.50
Pressure difference (water circuit)		kPa	9
Heating pump input (based on EN14511)		kW	0.02
Nominal water flow rate (Cooling mode)		L/min	35.8
Cooling (A35/W7)	Capacity	kW	12.50
	EER (COP)		2.50
	Power input	kW	5.00
Cooling (A35/W18)	Capacity	kW	12.50
	EER (COP)		3.60
	Power input	kW	3.47
Pressure difference (water circuit)		kPa	7
Cooling pump input (based on EN14511)		kW	0.02

Nominal operating condition	
Heating(A7/W35)	
Outside air temperature (Dry-bulb)	+ 7°C
Outside air temperature (Wet-bulb)	+ 6°C
Water temperature (inlet/outlet)	+30/+35°C
Heating(A2/W35)	
Outside air temperature (Dry-bulb)	+ 2°C
Outside air temperature (Wet-bulb)	+ 1°C
Water temperature (inlet/outlet)	-/+35°C
Cooling(A35/W7)	
Outside air temperature (Dry-bulb)	+35°C
Outside air temperature (Wet-bulb)	+ 24°C
Water temperature (inlet/outlet)	+12/+7°C
Cooling(A35/W18)	
Outside air temperature (Dry-bulb)	+35°C
Outside air temperature (Wet-bulb)	+ 24°C
Water temperature (inlet/outlet)	+23/+18°C

Note: "COP" and "Power input" in the above table are values that contains the "pump input (based on EN 14511)".

Outdoor unit specifications			
Service ref.		PUHZ-HW140VHA2R7(-BS)	
Running current	Heating(A7/W35)	A	14.4
	Cooling(A35/W7)	A	22.2
Power factor	Heating(A7/W35)	%	97
	Cooling(A35/W7)	%	97
Max. current		A	35.0
Breaker size		A	40
Outer casing		Galvanized plate	
External finish		Munsell 3Y 7.8/1.1	
Refrigerant control		Linear expansion valve	
Compressor		Hermetic scroll	
	Model	ANB42FJKMT	
	Motor output	kW	2.8
	Start type	Inverter	
	Protection devices	HP switch LP switch Discharge thermo Comp. surface thermo Overcurrent detection	
	Oil (Model)	L	R5: 0.9, R6: 1.4 (FV50S)
Crankcase heater		W	-
Heat exchanger	Air	Plate fin coil	
	Water	Plate heat exchanger	
Fan	Fan(drive)×No.	Propeller fan × 2	
	Fan motor output	kW	0.074 × 2
	Airflow	m ³ /min	100
(CFM)		(3,530)	
Defrost method		Reverse cycle ^{*1}	
Noise level (SPL)	Heating	dB	53 ^{*2*}
	Cooling	dB	53 ^{*2}
Dimensions	Width	mm (in)	1020 (40-3/16)
	Depth	mm (in)	330 +30 ^{*4} (13+1-3/16)
	Height	mm (in)	1350 (53-1/8)
Weight		kg (lb)	134 (296)
Refrigerant		R410A	
	Quantity	kg (lb)	4.3 (9.5)
Guaranteed operating range (Outdoor)	Heating	°C	-25 ⁽⁵⁾ to +21
	Cooling	°C	-5 ⁽⁶⁾ to +46
Outlet water temp. (Max in heating, Min in cooling)	Heating	°C	+60
	Cooling	°C	+5
Nominal return water temperature range	Heating	°C	+5 ⁽⁷⁾ to +59
	Cooling	°C	+8 to +28
Water flow rate range		L/min	17.9 to 40.1 ^{*8}



*1 Hot gas with 4-way valve
*2 at distance of 1 m from outdoor unit
*3 A weighted sound power level in accordance with ISO9614-1 for EN14511 testing is 67 dBA.
*4 grille
*5 Lower limit of use is -5°C for EN14511 testing purposes.
*6 With the optional air outlet guide, the operation at -15°C outdoor temperature is possible.
*7 Lowest entering temperature is 12 °C for EN14511 testing purposes.
*8 For details of the minute return water temperature at each water flow rate, refer to "3-2. AVAILABLE RANGE (WATER FLOW RATE, RETURN WATER TEMP.)".

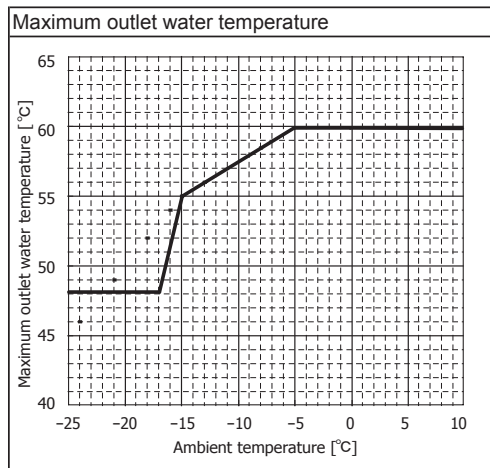
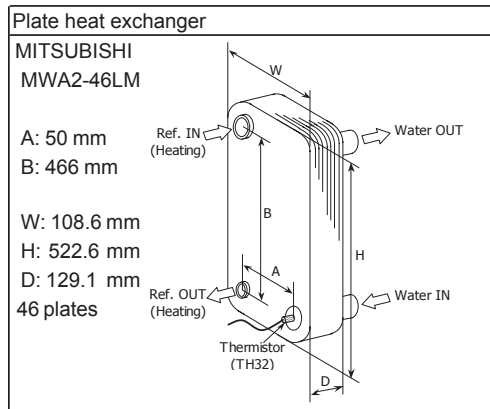
PUHZ-HW140YHA2R1 PUAHZ-HW140YHA2R1-BS

Power supply (Phase, Voltage, Frequency)		3 φ, 400V, 50Hz	
Nominal water flow rate (Heating mode)		L/min	40.1
Heating (A7/W35)	Capacity	kW	14.00
	COP		4.25
	Power input	kW	3.29
Heating (A2/W35)	Capacity	kW	14.00
	COP		3.11
	Power input	kW	4.50
Pressure difference (water circuit)		kPa	9.6
Heating pump input (based on EN14511)		kW	0.02
Nominal water flow rate (Cooling mode)		L/min	35.8
Cooling (A35/W7)	Capacity	kW	12.50
	EER (COP)		2.50
	Power input	kW	5.00
Cooling (A35/W18)	Capacity	kW	12.50
	EER (COP)		3.60
	Power input	kW	3.47
Pressure difference (water circuit)		kPa	7.7
Cooling pump input (based on EN14511)		kW	0.02

Note: "COP" and "Power input" in the above table are values that contains the "pump input (based on EN 14511)".

Outdoor unit specifications			
Service ref.		PUHZ-HW140YHA2R1 PUHZ-HW140YHA2R1-BS	
Running current	Heating(A7/W35)	A	5.0
	Cooling(A35/W7)	A	7.6
Power factor	Heating(A7/W35)	%	95
	Cooling(A35/W7)	%	95
Max. current		A	13.0
Breaker size		A	16
Outer casing	Galvanized plate		
External finish	Munsell 3Y 7.8/1.1		
Refrigerant control	Linear expansion valve		
Compressor	Hermetic scroll		
	Model	ANB42FJFMT	
	Motor output	kW	2.5
	Start type	Inverter	
	Protection devices	HP switch LP switch Discharge thermo	
	Oil (Model)	L	0.9 (FV50S)
Crankcase heater		W	-
Heat exchanger	Air	Plate fin coil	
	Water	Plate heat exchanger	
Fan	Fan(drive)×No.	Propeller fan × 2	
	Fan motor output	kW	0.074 × 2
	Airflow	m ³ /min	100
(CFM)		(3,530)	
Defrost method	Reverse cycle ^{*1}		
Noise level (SPL)	Heating	dB	53 ^{*2,3}
	Cooling	dB	53 ^{*2}
Dimensions	Width	mm (in)	1020 (40-3/16)
	Depth	mm (in)	330 +30 ^{*4} (13+1-3/16)
	Height	mm (in)	1350 (53-1/8)
Weight		kg (lb)	148 (326.3)
Refrigerant			R410A
	Quantity	kg (lb)	4.3 (9.5)
Guaranteed operating range (Outdoor)	Heating	°C	-25 ⁽⁵⁾ to +21
	Cooling	°C	-5 ⁽⁶⁾ to +46
Outlet water temp. (Max in heating, Min in cooling)	Heating	°C	+60
	Cooling	°C	+5
Nominal return water temperature range	Heating	°C	+5 ⁽⁷⁾ to +59
	Cooling	°C	+8 to +28
Water flow rate range		L/min	17.9 to 40.1 ^{*8}

Nominal operating condition	
Heating(A7/W35)	
Outside air temperature (Dry-bulb)	+ 7°C
Outside air temperature (Wet-bulb)	+ 6°C
Water temperature (inlet/outlet)	+30/+35°C
Heating(A2/W35)	
Outside air temperature (Dry-bulb)	+ 2°C
Outside air temperature (Wet-bulb)	+ 1°C
Water temperature (inlet/outlet)	-/+35°C
Cooling(A35/W7)	
Outside air temperature (Dry-bulb)	+35°C
Outside air temperature (Wet-bulb)	+ 24°C
Water temperature (inlet/outlet)	+12/+7°C
Cooling(A35/W18)	
Outside air temperature (Dry-bulb)	+35°C
Outside air temperature (Wet-bulb)	+ 24°C
Water temperature (inlet/outlet)	+23/+18°C



^{*1} Hot gas with 4-way valve
^{*2} at distance of 1 m from outdoor unit
^{*3} A weighted sound power level in accordance with ISO9614-1 for EN14511 testing is 67 dBA.
^{*4} grille
^{*5} Lower limit of use is -5°C for EN14511 testing purposes.
^{*6} With the optional air outlet guide, the operation at -15°C outdoor temperature is possible.
^{*7} Lowest entering temperature is 12 °C for EN14511 testing purposes.
^{*8} For details of the minute return water temperature at each water flow rate, refer to "3-2. AVAILABLE RANGE (WATER FLOW RATE, RETURN WATER TEMP.)".

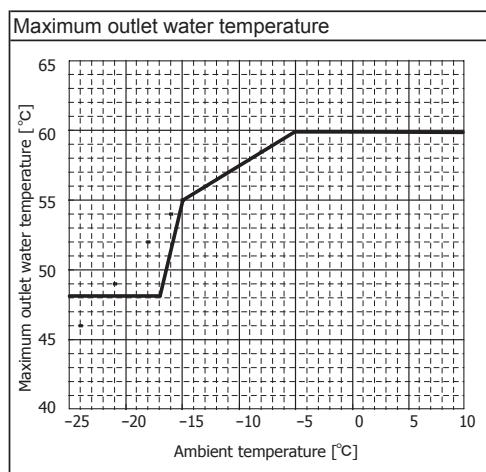
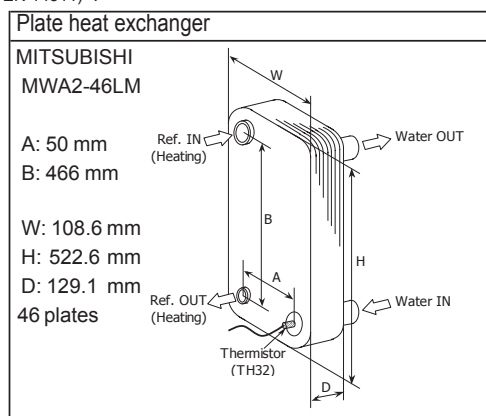
PUHZ-HW140YHA2R3 PUHZ-HW140YHA2R3-BS PUHZ-HW140YHA2R4 PUHZ-HW140YHA2R4-BS

Power supply (Phase, Voltage, Frequency)		3 φ , 400 V, 50 Hz	
Nominal water flow rate (Heating mode)		L/min	40.1
Heating (A7/W35)	Capacity	kW	14.00
	COP		4.25
	Power input	kW	3.29
Heating (A2/W35)	Capacity	kW	14.00
	COP		3.11
	Power input	kW	4.50
Pressure difference (water circuit)		kPa	9.6
Heating pump input (based on EN14511)		kW	0.02
Nominal water flow rate (Cooling mode)		L/min	35.8
Cooling (A35/W7)	Capacity	kW	12.50
	EER (COP)		2.50
	Power input	kW	5.00
Cooling (A35/W18)	Capacity	kW	12.50
	EER (COP)		3.60
	Power input	kW	3.47
Pressure difference (water circuit)		kPa	7.7
Cooling pump input (based on EN14511)		kW	0.02

Note: "COP" and "Power input" in the above table are values that contains the "pump input (based on EN 14511)".

Outdoor unit specifications			
Service ref.		PUHZ-HW140YHA2R3 PUHZ-HW140YHA2R3-BS PUHZ-HW140YHA2R4 PUHZ-HW140YHA2R4-BS	
Running current	Heating(A7/W35)	A	5.0
	Cooling(A35/W7)	A	7.6
Power factor	Heating(A7/W35)	%	95
	Cooling(A35/W7)	%	95
Max. current		A	13.0
Breaker size		A	16
Outer casing	Galvanized plate		
External finish	Munsell 3Y 7.8/1.1		
Refrigerant control	Linear expansion valve		
Compressor	Hermetic scroll		
	Model	ANB42FJJMT	
	Motor output	kW	2.5
	Start type	Inverter	
	Protection devices	HP switch LP switch Discharge thermo Comp. surface thermo Overcurrent detection	
	Oil (Model)	L	0.9 (FV50S)
Crankcase heater		W	-
Heat exchanger	Air	Plate fin coil	
	Water	Plate heat exchanger	
Fan	Fan(drive)×No.	Propeller fan × 2	
	Fan motor output	kW	0.074 × 2
	Airflow	m ³ /min	100
(CFM)		(3,530)	
Defrost method	Reverse cycle ^{*1}		
Noise level (SPL)	Heating	dB	53 ^{*2, *3}
	Cooling	dB	53 ^{*2}
Dimensions	Width	mm (in)	1020 (40-3/16)
	Depth	mm (in)	330 +30 ^{*4} (13+1-3/16)
	Height	mm (in)	1350 (53-1/8)
Weight		kg (lb)	148 (326.3)
Refrigerant			R410A
	Quantity	kg (lb)	4.3 (9.5)
Guaranteed operating range (Outdoor)	Heating	°C	-25 ⁽⁵⁾ to +21
	Cooling	°C	-5 ⁽⁶⁾ to +46
Outlet water temp. (Max in heating, Min in cooling)	Heating	°C	+60
	Cooling	°C	+5
Nominal return water temperature range	Heating	°C	+5 ⁽⁷⁾ to +59
	Cooling	°C	+8 to +28
Water flow rate range		L/min	17.9 to 40.1 ⁸

Nominal operating condition	
Heating(A7/W35)	
Outside air temperature (Dry-bulb)	+ 7°C
Outside air temperature (Wet-bulb)	+ 6°C
Water temperature (inlet/outlet)	+30/+35°C
Heating(A2/W35)	
Outside air temperature (Dry-bulb)	+ 2°C
Outside air temperature (Wet-bulb)	+ 1°C
Water temperature (inlet/outlet)	-/+35°C
Cooling(A35/W7)	
Outside air temperature (Dry-bulb)	+35°C
Outside air temperature (Wet-bulb)	+ 24°C
Water temperature (inlet/outlet)	+12/+7°C
Cooling(A35/W18)	
Outside air temperature (Dry-bulb)	+35°C
Outside air temperature (Wet-bulb)	+ 24°C
Water temperature (inlet/outlet)	+23/+18°C



^{*1} Hot gas with 4-way valve
^{*2} at distance of 1 m from outdoor unit
^{*3} A weighted sound power level in accordance with ISO9614-1 for EN14511 testing is 67 dBA.
^{*4} grille
^{*5} Lower limit of use is -5°C for EN14511 testing purposes.
^{*6} With the optional air outlet guide, the operation at -15°C outdoor temperature is possible.
^{*7} Lowest entering temperature is 12°C for EN14511 testing purposes.
^{*8} For details of the minute return water temperature at each water flow rate, refer to "3-2. AVAILABLE RANGE (WATER FLOW RATE, RETURN WATER TEMP.)".

PUHZ-HW140YHA2R5
PUHZ-HW140YHA2R5-BS

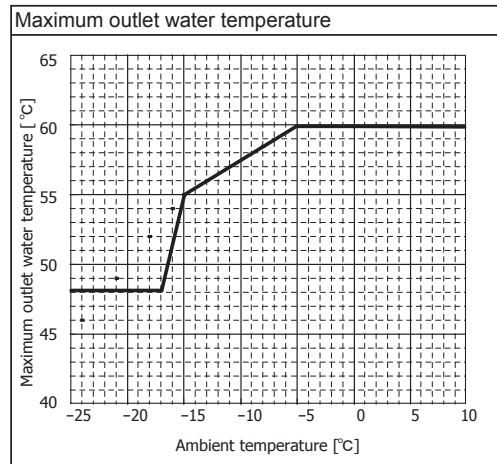
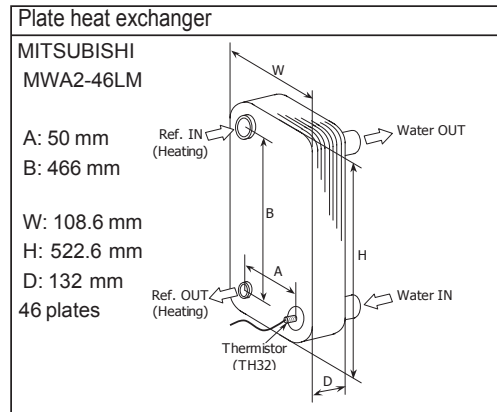
PUHZ-HW140YHA2R6
PUHZ-HW140YHA2R6-BS

Power supply (Phase, Voltage, Frequency)		3 ϕ , 400 V, 50 Hz	
Nominal water flow rate (Heating mode)		L/min	40.1
Heating (A7/W35)	Capacity	kW	14.00
	COP		4.25
	Power input	kW	3.29
Heating (A2/W35)	Capacity	kW	14.00
	COP		3.11
	Power input	kW	4.50
Pressure difference (water circuit)		kPa	9
Heating pump input (based on EN14511)		kW	0.02
Nominal water flow rate (Cooling mode)		L/min	35.8
Cooling (A35/W7)	Capacity	kW	12.50
	EER (COP)		2.50
	Power input	kW	5.00
Cooling (A35/W18)	Capacity	kW	12.50
	EER (COP)		3.60
	Power input	kW	3.47
Pressure difference (water circuit)		kPa	7
Cooling pump input (based on EN14511)		kW	0.02

Note: "COP" and "Power input" in the above table are values that contains the "pump input (based on EN 14511)".

Outdoor unit specifications			
Service ref.		PUHZ-HW140YHA2R5 PUHZ-HW140YHA2R5-BS PUHZ-HW140YHA2R6 PUHZ-HW140YHA2R6-BS	
Running current	Heating(A7/W35)	A	5.0
	Cooling(A35/W7)	A	7.6
Power factor	Heating(A7/W35)	%	95
	Cooling(A35/W7)	%	95
Max. current		A	13.0
Breaker size		A	16
Outer casing		Galvanized plate	
External finish		Munsell 3Y 7.8/1.1	
Refrigerant control		Linear expansion valve	
Compressor		Hermetic scroll	
Model		ANB42FJJMT	
Motor output		kW	2.8
Start type		Inverter	
Protection devices		HP switch LP switch Discharge thermo Comp. surface thermo Overcurrent detection	
Oil (Model)		L	R5: 0.9, R6: 1.4 (FV50S)
Crankcase heater		W	-
Heat exchanger	Air	Plate fin coil	
	Water	Plate heat exchanger	
Fan	Fan(drive)×No.	Propeller fan × 2	
	Fan motor output	kW	0.074 × 2
	Airflow	m ³ /min	100
(CFM)		(3,530)	
Defrost method		Reverse cycle ^{*1}	
Noise level (SPL)	Heating	dB	53 ^{*2*}
	Cooling	dB	53 ^{*2}
Dimensions	Width	mm (in)	1020 (40-3/16)
	Depth	mm (in)	330 +30 ^{*4} (13+1-3/16)
	Height	mm (in)	1350 (53-1/8)
Weight		kg (lb)	148 (326.3)
Refrigerant		R410A	
Quantity		kg (lb)	4.3 (9.5)
Guaranteed operating range (Outdoor)	Heating	°C	-25 ⁽⁵⁾ to +21
	Cooling	°C	-5 ⁽⁶⁾ to +46
Outlet water temp. (Max in heating, Min in cooling)	Heating	°C	+60
	Cooling	°C	+5
Nominal return water temperature range	Heating	°C	+5 ⁽⁷⁾ to +59
	Cooling	°C	+8 to +28
Water flow rate range		L/min	17.9 to 40.1 ⁸

Nominal operating condition	
Heating(A7/W35)	
Outside air temperature (Dry-bulb)	+ 7°C
Outside air temperature (Wet-bulb)	+ 6°C
Water temperature (inlet/outlet)	+30/+35°C
Heating(A2/W35)	
Outside air temperature (Dry-bulb)	+ 2°C
Outside air temperature (Wet-bulb)	+ 1°C
Water temperature (inlet/outlet)	-/+35°C
Cooling(A35/W7)	
Outside air temperature (Dry-bulb)	+35°C
Outside air temperature (Wet-bulb)	+ 24°C
Water temperature (inlet/outlet)	+12/+7°C
Cooling(A35/W18)	
Outside air temperature (Dry-bulb)	+35°C
Outside air temperature (Wet-bulb)	+ 24°C
Water temperature (inlet/outlet)	+23/+18°C



^{*1} Hot gas with 4-way valve
^{*2} at distance of 1 m from outdoor unit
^{*3} A weighted sound power level in accordance with ISO9614-1 for EN14511 testing is 67 dBA.
^{*4} grille
^{*5} Lower limit of use is -5°C for EN14511 testing purposes.
^{*6} With the optional air outlet guide, the operation at -15°C outdoor temperature is possible.
^{*7} Lowest entering temperature is 12°C for EN14511 testing purposes.
^{*8} For details of the minute return water temperature at each water flow rate, refer to "3-2. AVAILABLE RANGE (WATER FLOW RATE, RETURN WATER TEMP.)".

PUHZ-HW140YHA2R7

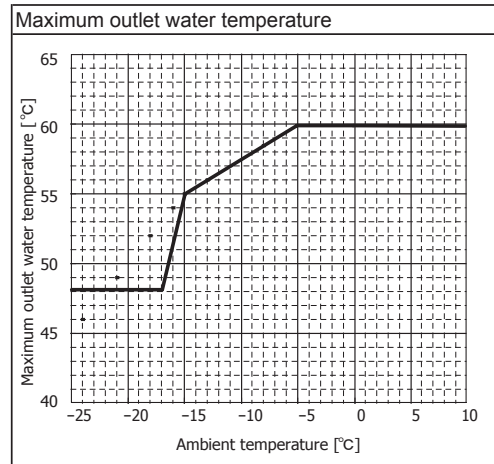
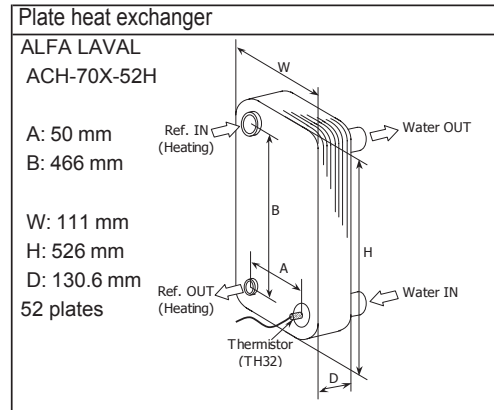
PUHZ-HW140YHA2R7-BS

Power supply (Phase, Voltage, Frequency)		3 φ , 400 V, 50 Hz	
Nominal water flow rate (Heating mode)		L/min	40.1
Heating (A7/W35)	Capacity	kW	14.00
	COP		4.25
	Power input	kW	3.29
Heating (A2/W35)	Capacity	kW	14.00
	COP		3.11
	Power input	kW	4.50
Pressure difference (water circuit)		kPa	9
Heating pump input (based on EN14511)		kW	0.02
Nominal water flow rate (Cooling mode)		L/min	35.8
Cooling (A35/W7)	Capacity	kW	12.50
	EER (COP)		2.50
	Power input	kW	5.00
Cooling (A35/W18)	Capacity	kW	12.50
	EER (COP)		3.60
	Power input	kW	3.47
Pressure difference (water circuit)		kPa	7
Cooling pump input (based on EN14511)		kW	0.02

Note: "COP" and "Power input" in the above table are values that contains the "pump input (based on EN 14511)".

Outdoor unit specifications			
Service ref.		PUHZ-HW140YHA2R7 PUHZ-HW140YHA2R7-BS	
Running current	Heating(A7/W35)	A	5.0
	Cooling(A35/W7)	A	7.6
Power factor	Heating(A7/W35)	%	95
	Cooling(A35/W7)	%	95
Max. current	A		13.0
Breaker size	A		16
Outer casing		Galvanized plate	
External finish		Munsell 3Y 7.8/1.1	
Refrigerant control		Linear expansion valve	
Compressor		Hermetic scroll	
Model		ANB42FJJMT	
Motor output	kW	2.8	
Start type		Inverter	
Protection devices		HP switch LP switch Discharge thermo Comp. surface thermo Overcurrent detection	
Oil (Model)	L	R5: 0.9, R6: 1.4 (FV50S)	
Crankcase heater		W	
Heat exchanger	Air	Plate fin coil	
	Water	Plate heat exchanger	
Fan	Fan(drive)×No.		Propeller fan × 2
	Fan motor output	kW	0.074 × 2
	Airflow	m ³ /min	100
(CFM)		(3,530)	
Defrost method		Reverse cycle ^{*1}	
Noise level (SPL)	Heating	dB	53 ^{*2*}
	Cooling	dB	53 ^{*2}
Dimensions	Width	mm (in)	1020 (40-3/16)
	Depth	mm (in)	330 +30 ^{*4} (13+1-3/16)
	Height	mm (in)	1350 (53-1/8)
Weight	kg (lb)	148 (326.3)	
Refrigerant		R410A	
Guaranteed operating range (Outdoor)	Quantity	kg (lb)	4.3 (9.5)
	Heating	°C	-25 ⁽⁵⁾ to +21
Outlet water temp. (Max in heating, Min in cooling)	Cooling	°C	-5 ⁽⁶⁾ to +46
	Heating	°C	+60
Nominal return water temperature range	Cooling	°C	+5
	Heating	°C	+5 ⁽⁷⁾ to +59
Water flow rate range	Cooling	°C	+8 to +28
		L/min	17.9 to 40.1 ⁸

Nominal operating condition	
Heating(A7/W35)	
Outside air temperature (Dry-bulb)	+ 7°C
Outside air temperature (Wet-bulb)	+ 6°C
Water temperature (inlet/outlet)	+30/+35°C
Heating(A2/W35)	
Outside air temperature (Dry-bulb)	+ 2°C
Outside air temperature (Wet-bulb)	+ 1°C
Water temperature (inlet/outlet)	-/+35°C
Cooling(A35/W7)	
Outside air temperature (Dry-bulb)	+35°C
Outside air temperature (Wet-bulb)	+ 24°C
Water temperature (inlet/outlet)	+12/+7°C
Cooling(A35/W18)	
Outside air temperature (Dry-bulb)	+35°C
Outside air temperature (Wet-bulb)	+ 24°C
Water temperature (inlet/outlet)	+23/+18°C

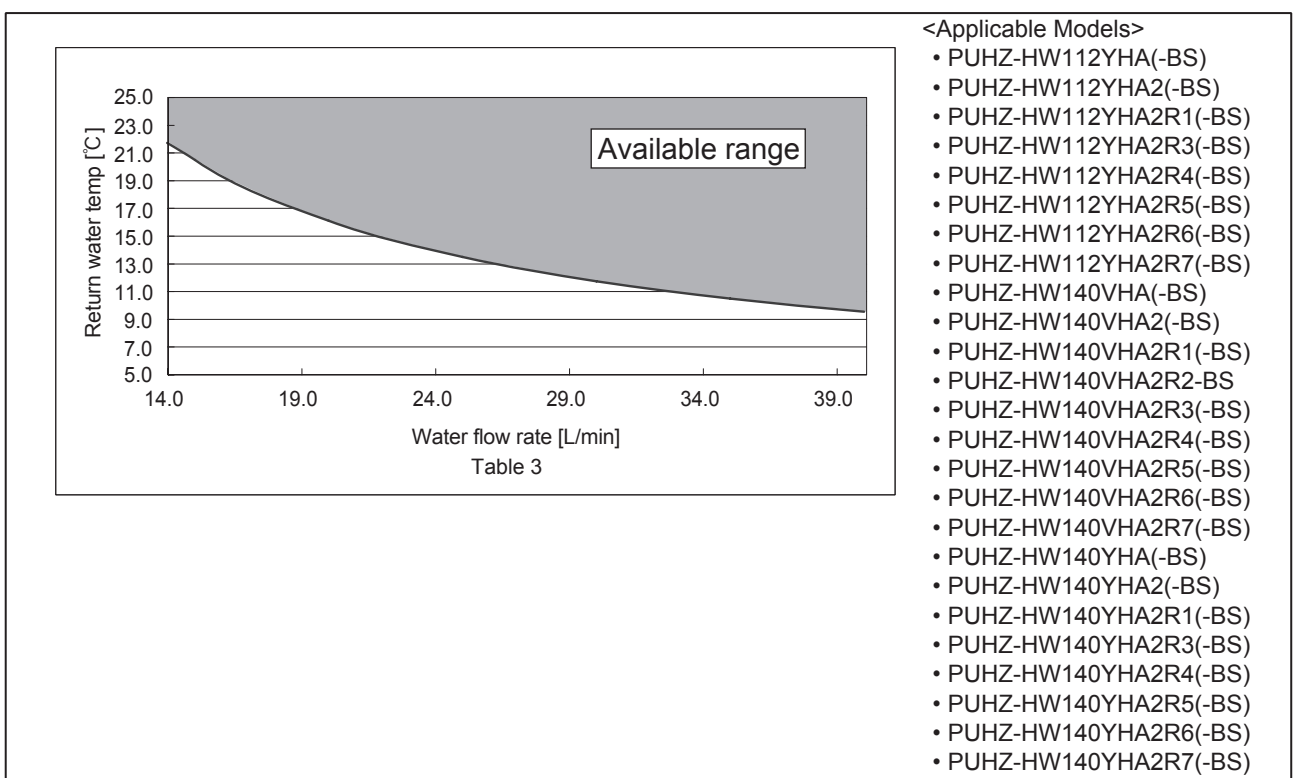
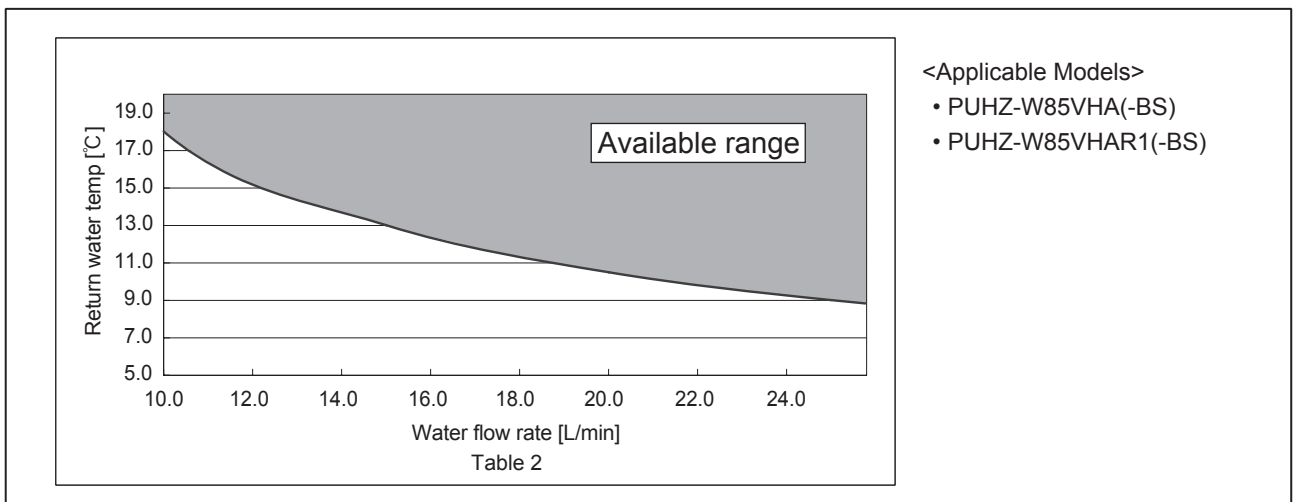
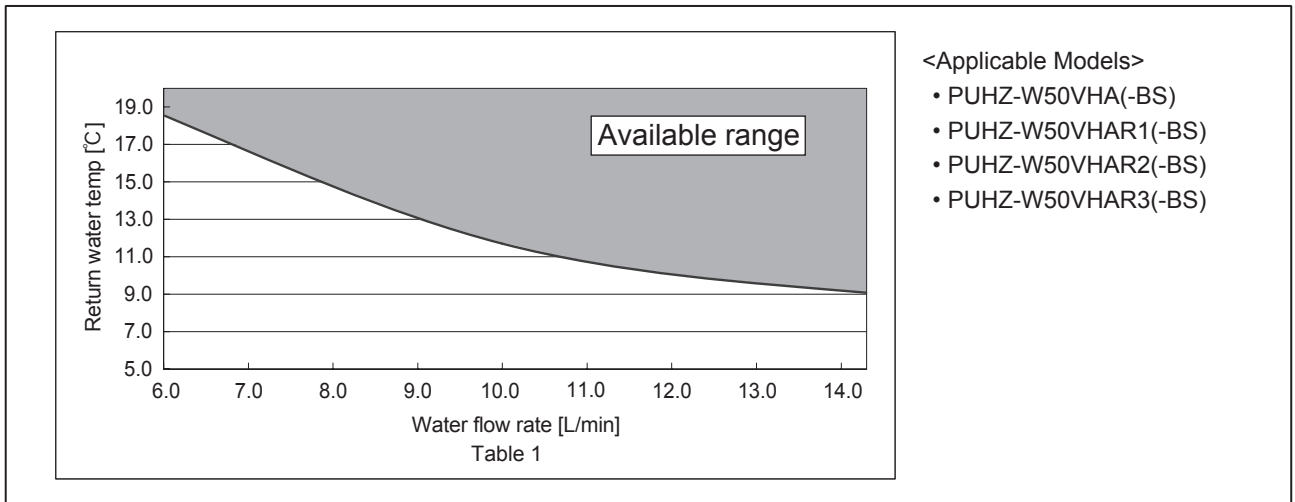


^{*1} Hot gas with 4-way valve
^{*2} at distance of 1 m from outdoor unit
^{*3} A weighted sound power level in accordance with ISO9614-1 for EN14511 testing is 67 dBA.
^{*4} grille
^{*5} Lower limit of use is -5°C for EN14511 testing purposes.
^{*6} With the optional air outlet guide, the operation at -15°C outdoor temperature is possible.
^{*7} Lowest entering temperature is 12°C for EN14511 testing purposes.
^{*8} For details of the minute return water temperature at each water flow rate, refer to "3-2. AVAILABLE RANGE (WATER FLOW RATE, RETURN WATER TEMP.)".

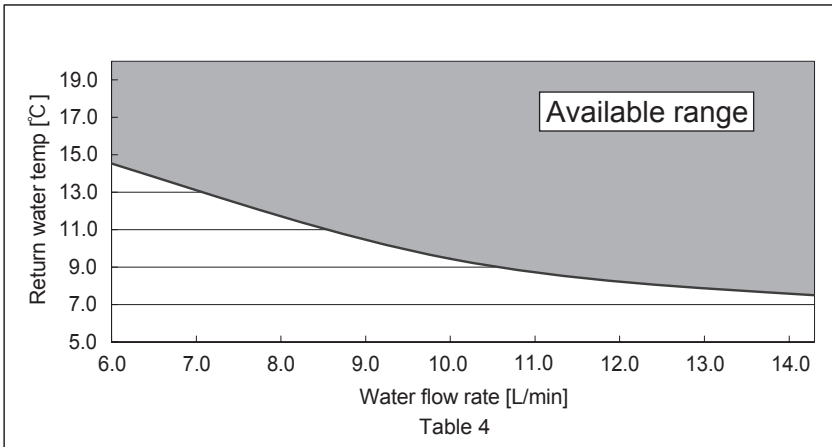
3-2. AVAILABLE RANGE (WATER FLOW RATE, RETURN WATER TEMP.)

Note: If using the unit out of the available range, the parts of unit might be damaged.

<Heating>

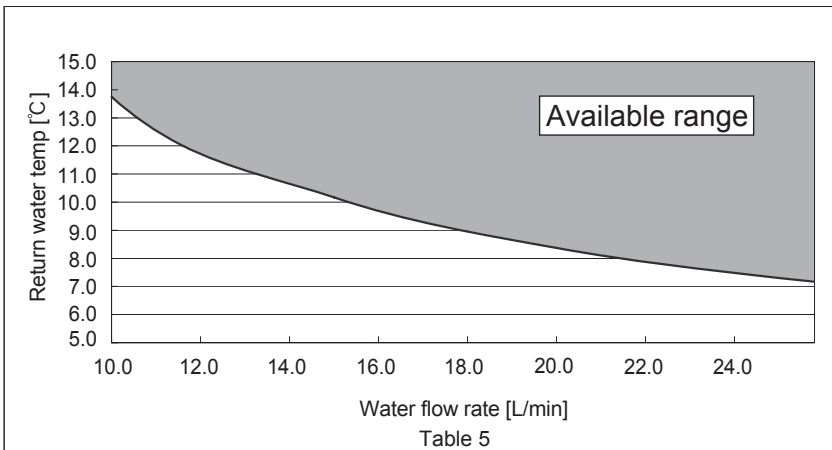


<Cooling>



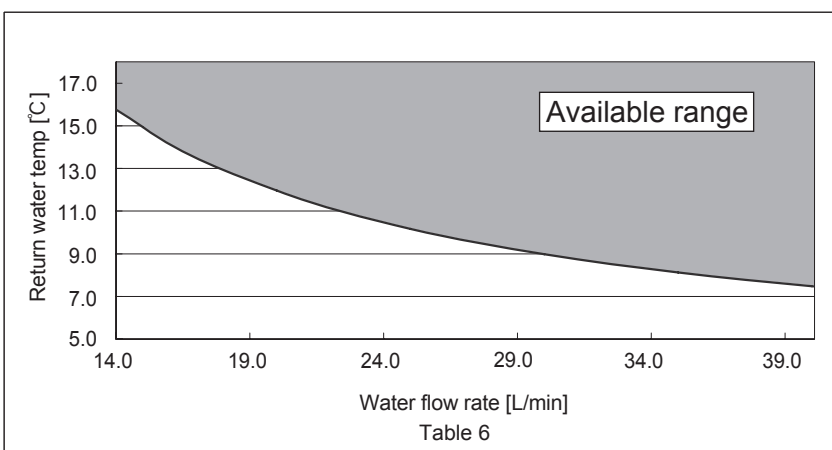
<Applicable Models>

- PUAZ-W50VHA(-BS)
- PUAZ-W50VHAR1(-BS)
- PUAZ-W50VHAR2(-BS)
- PUAZ-W50VHAR3(-BS)



<Applicable Models>

- PUAZ-W85VHA(-BS)
- PUAZ-W85VHAR1(-BS)



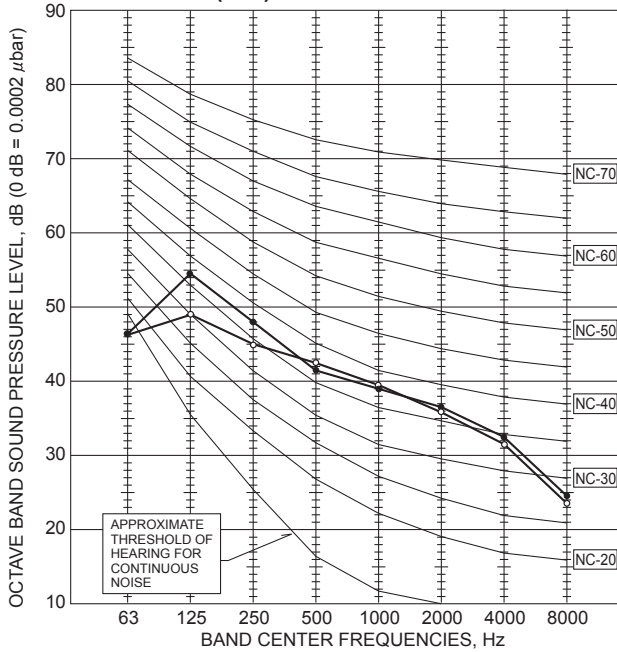
<Applicable Models>

- PUAZ-HW112YHA(-BS)
- PUAZ-HW112YHA2(-BS)
- PUAZ-HW112YHA2R1(-BS)
- PUAZ-HW112YHA2R3(-BS)
- PUAZ-HW112YHA2R4(-BS)
- PUAZ-HW112YHA2R5(-BS)
- PUAZ-HW112YHA2R6(-BS)
- PUAZ-HW112YHA2R7(-BS)
- PUAZ-HW140VHA(-BS)
- PUAZ-HW140VHA2(-BS)
- PUAZ-HW140VHA2R1(-BS)
- PUAZ-HW140VHA2R2(-BS)
- PUAZ-HW140VHA2R3(-BS)
- PUAZ-HW140VHA2R4(-BS)
- PUAZ-HW140VHA2R5(-BS)
- PUAZ-HW140VHA2R6(-BS)
- PUAZ-HW140VHA2R7(-BS)
- PUAZ-HW140YHA(-BS)
- PUAZ-HW140YHA2(-BS)
- PUAZ-HW140YHA2R1(-BS)
- PUAZ-HW140YHA2R3(-BS)
- PUAZ-HW140YHA2R4(-BS)
- PUAZ-HW140YHA2R5(-BS)
- PUAZ-HW140YHA2R6(-BS)
- PUAZ-HW140YHA2R7(-BS)

4-1. NOISE CRITERION CURVES

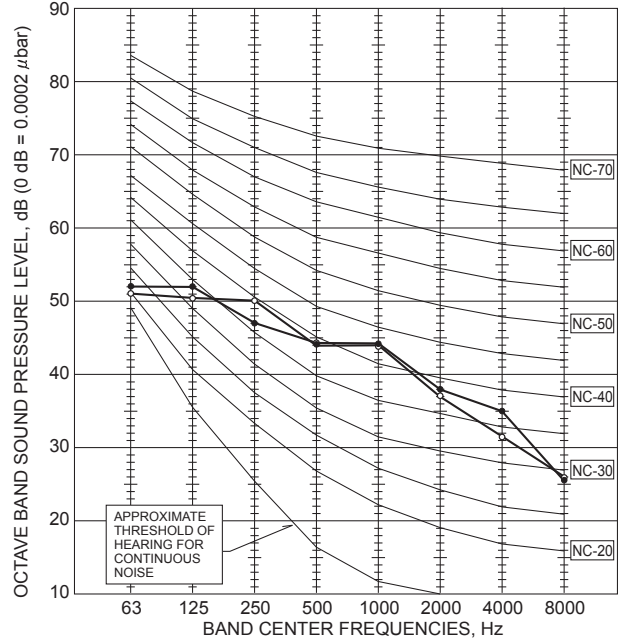
PUHZ-W50VHA(-BS)
 PUHZ-W50VHAR1(-BS)
 PUHZ-W50VHAR2(-BS)
 PUHZ-W50VHAR3(-BS)

MODE	SPL(dB)	LINE
COOLING	45	○—○
HEATING	46	●—●



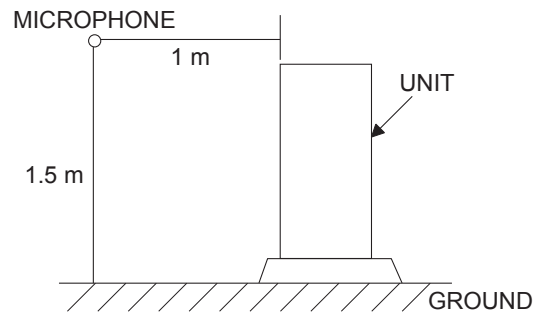
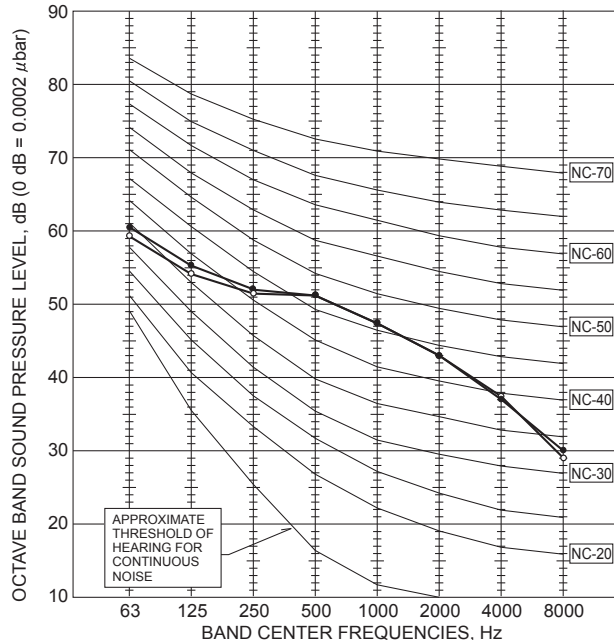
PUHZ-W85VHA(-BS)
 PUHZ-W85VHAR1(-BS)

MODE	SPL(dB)	LINE
COOLING	48	○—○
HEATING	48	●—●



PUHZ-HW112YHA(-BS) PUHZ-HW140VHA2R2-BS
 PUHZ-HW112YHA2(-BS) PUHZ-HW140VHA2R3(-BS)
 PUHZ-HW112YHA2R1(-BS) PUHZ-HW140VHA2R4(-BS)
 PUHZ-HW112YHA2R3(-BS) PUHZ-HW140VHA2R5(-BS)
 PUHZ-HW112YHA2R4(-BS) PUHZ-HW140VHA2R6(-BS)
 PUHZ-HW112YHA2R5(-BS) PUHZ-HW140VHA2R7(-BS)
 PUHZ-HW112YHA2R6(-BS) PUHZ-HW140YHA2(-BS)
 PUHZ-HW112YHA2R7(-BS) PUHZ-HW140YHA2R1-BS
 PUHZ-HW140VHA(-BS) PUHZ-HW140YHA2R3(-BS)
 PUHZ-HW140YHA(-BS) PUHZ-HW140YHA2R4(-BS)
 PUHZ-HW140VHA2(-BS) PUHZ-HW140YHA2R5(-BS)
 PUHZ-HW140VHA2R1(-BS) PUHZ-HW140YHA2R6(-BS)
 PUHZ-HW140YHA2R7(-BS)

MODE	SPL(dB)	LINE
COOLING	53	○—○
HEATING	53	●—●



4-2. STANDARD OPERATION DATA

Mode			Cooling (A35/W7)	Heating (A7/W35)	Cooling (A35/W7)	Heating (A7/W35)	Cooling (A35/W7)	Heating (A7/W35)	
Total	Capacity	W	4,500	5,000	7,500	9,000	10,000	11,200	
	Input	kW	1.52	1.21	3.12	2.31	3.67	2.63	
Electrical circuit	Outdoor unit		PUHZ-W50VHA		PUHZ-W85VHA		PUHZ-HW112YHA		
	Phase, Hz		1, 50		1, 50		3, 50		
	Voltage	V	230		230		400		
	Current	A	6.8	5.4	13.7	10.3	5.6	4.0	
Refrigerant circuit	Discharge pressure	MPa	2.51	2.13	2.81	2.21	2.63	2.07	
	Suction pressure	MPa	0.83	0.68	0.73	0.64	0.78	0.69	
	Discharge temperature	°C	69	68	80	65	78	64	
	Condensing temperature	°C	43	37	46	38	46	36	
	Suction temperature	°C	6	6	3	-1	9	5	
Water conditions	Flow volume	L/min	12.9	14.3	20.4	25.8	28.7	32.1	
	Outlet water temperature	°C	7	35	7	35	7	35	
Outdoor conditions	Intake air temperature	D.B.	°C	35	7	35	7	35	7
		W.B.	°C	24	6	24	6	24	6

The unit of pressure has been changed to MPa based on international SI system.
The conversion factor is: 1 (MPa) = 10.2 (kgf/cm²)



Mode			Cooling (A35/W7)	Heating (A7/W35)	Cooling (A35/W7)	Heating (A7/W35)	Cooling (A35/W7)	Heating (A7/W35)
Total	Capacity	W	12,500	14,000	10,000	11,200	12,500	14,000
	Input	kW	4.80	3.32	3.60	2.53	5.00	3.29
Electrical circuit	Outdoor unit		PUHZ-HW140VHA/ PUHZ-HW140YHA		PUHZ-HW112YHA2		PUHZ-HW140VHA2/ PUHZ-HW140YHA2	
	Phase, Hz		1 / 3, 50		3, 50		1 / 3, 50	
	Voltage	V	230 / 400		400		230 / 400	
	Current	A	21.5 / 7.3	14.9 / 5.1	5.6	4.0	22.2 / 7.6	14.4 / 5.0
Refrigerant circuit	Discharge pressure	MPa	2.81	2.11	2.63	2.07	2.81	2.11
	Suction pressure	MPa	0.78	0.66	0.78	0.69	0.78	0.66
	Discharge temperature	°C	84	67	78	64	84	67
	Condensing temperature	°C	47	37	46	36	47	37
	Suction temperature	°C	11	3	9	5	11	3
Water conditions	Flow volume	L/min	35.8	40.1	28.7	32.1	35.8	40.1
	Outlet water temperature	°C	7	35	7	35	7	35
Outdoor conditions	Intake air temperature	D.B.	°C	35	7	35	7	35
		W.B.	°C	24	6	24	6	24

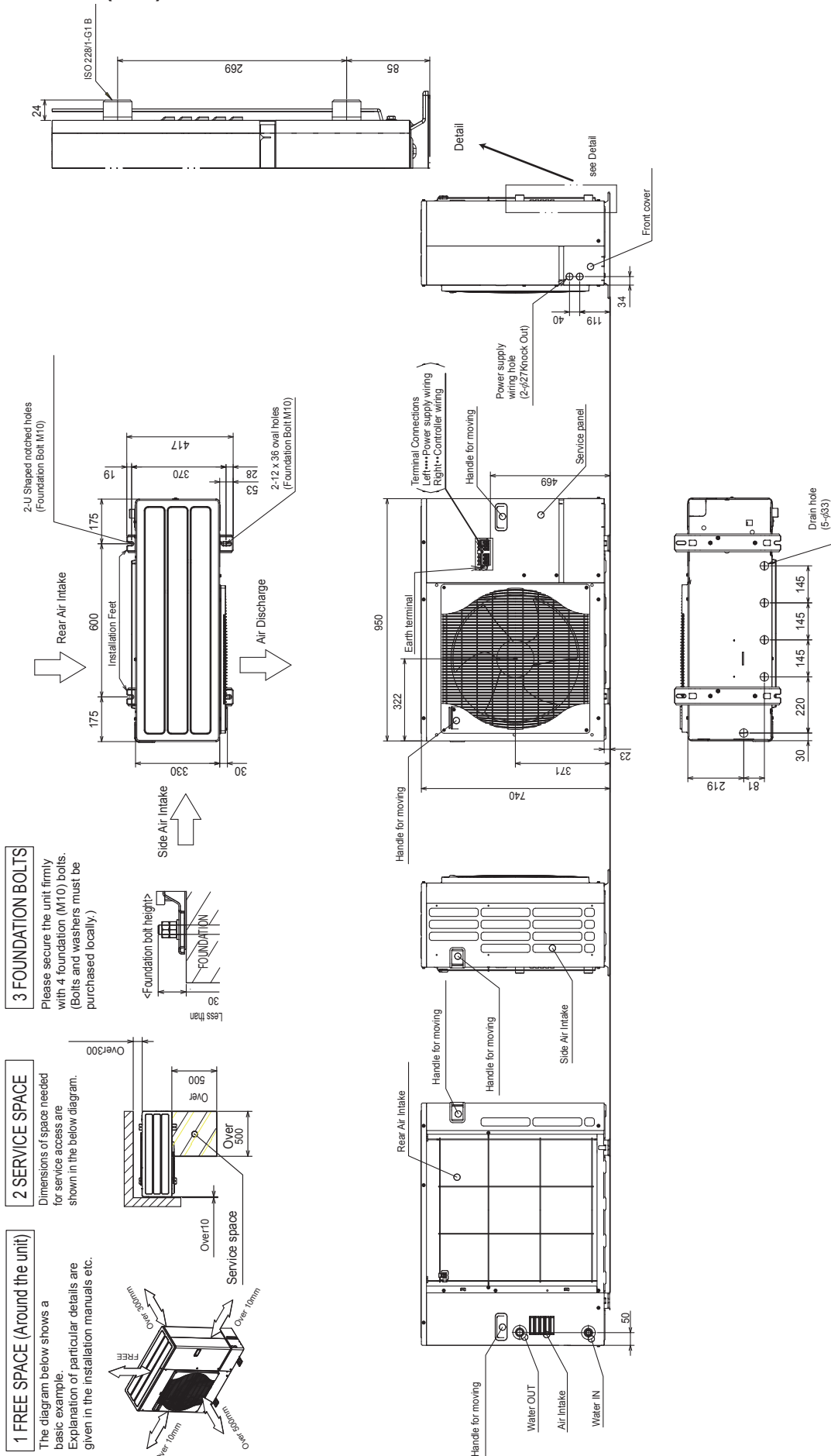
The unit of pressure has been changed to MPa based on international SI system.
 The conversion factor is: 1 (MPa) = 10.2 (kgf/cm²)

PUHZ-W50VHA(-BS)
PUHZ-W50VHAR3(-BS)

PUHZ-W50VHAR1(-BS)

PUHZ-W50VHAR2(-BS)

Unit: mm



3 FOUNDATION BOLTS

Please secure the unit firmly with 4 foundation (M10) bolts. (Bolts and washers must be purchased locally.)

2 SERVICE SPACE

Dimensions of space needed for service access are shown in the below diagram.

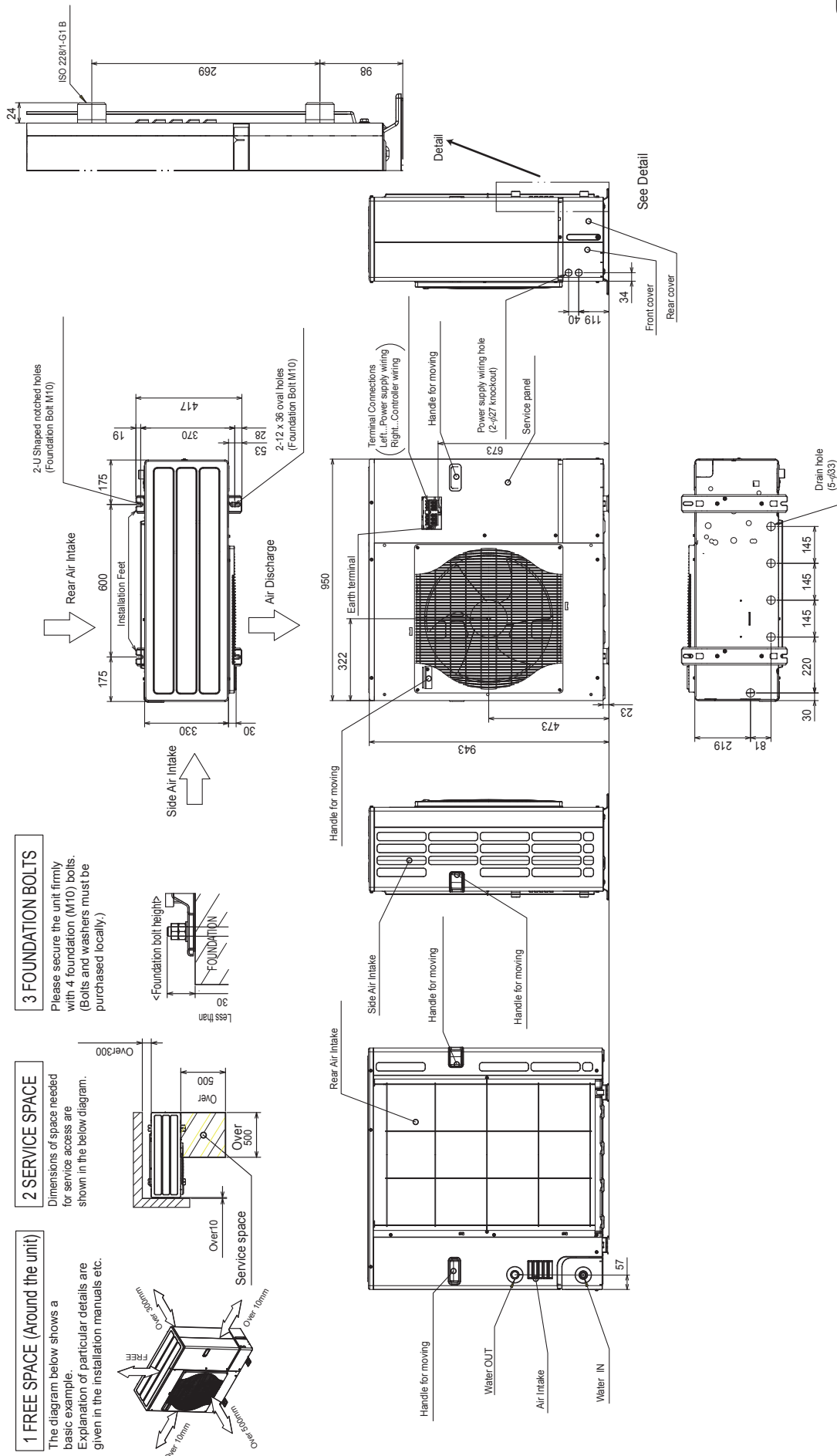
1 FREE SPACE (Around the unit)

The diagram below shows a basic example. Explanation of particular details are given in the installation manuals etc.

PUHZ-W85VHA(-BS)

PUHZ-W85VHAR1(-BS)

Unit: mm



3 FOUNDATION BOLTS

Please secure the unit firmly with 4 foundation (M10) bolts. (Bolts and washers must be purchased locally.)

2 SERVICE SPACE

Dimensions of space needed for service access are shown in the below diagram.

1 FREE SPACE (Around the unit)

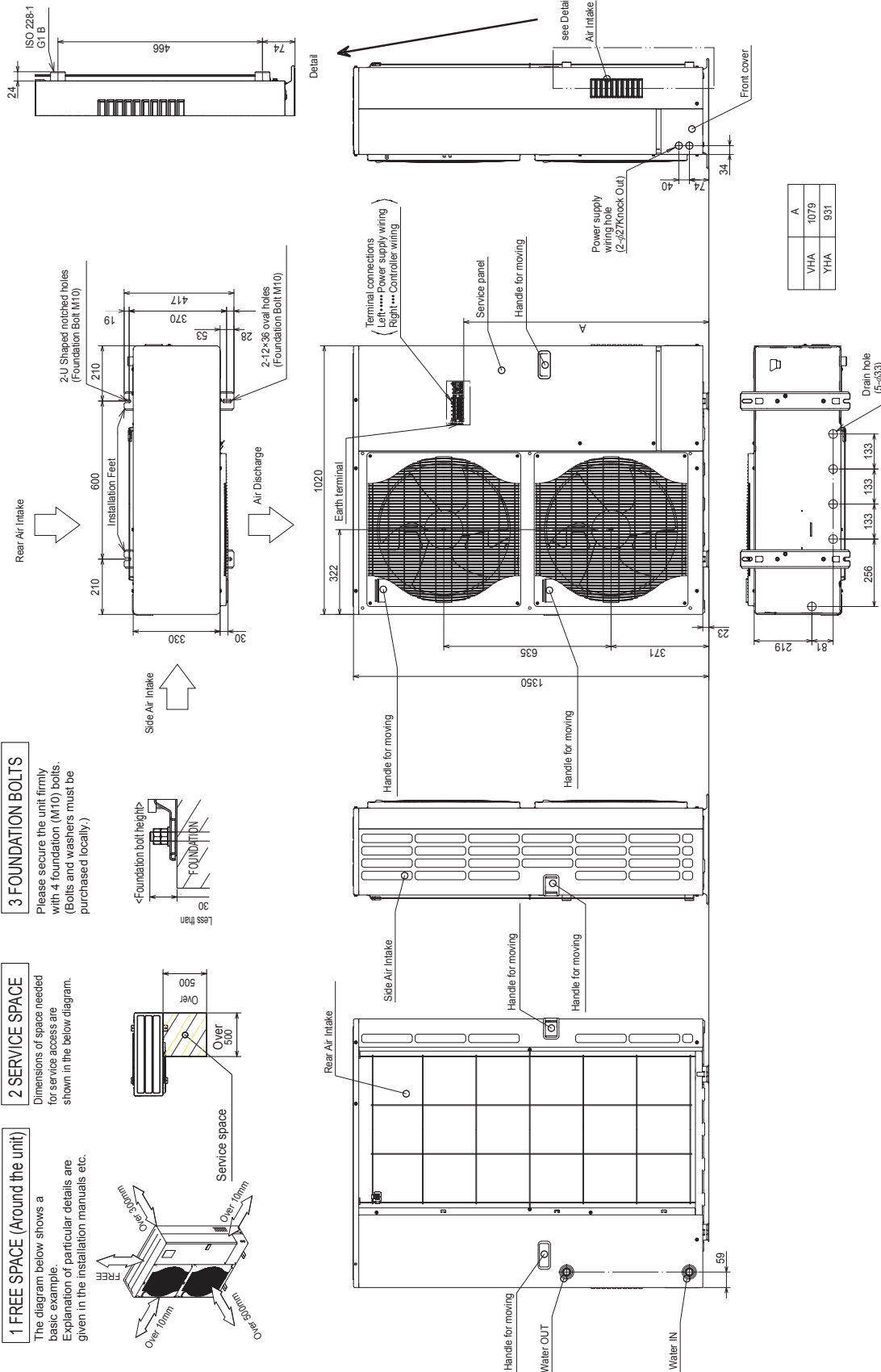
The diagram below shows a basic example. Explanation of particular details are given in the installation manuals etc.

PUHZ-HW112YHA(-BS)
 PUHZ-HW112YHA2(-BS)
 PUHZ-HW112YHA2R1(-BS)
 PUHZ-HW112YHA2R3(-BS)
 PUHZ-HW112YHA2R4(-BS)
 PUHZ-HW112YHA2R5(-BS)
 PUHZ-HW112YHA2R6(-BS)
 PUHZ-HW112YHA2R7(-BS)

PUHZ-HW140VHA(-BS)
 PUHZ-HW140VHA2(-BS)
 PUHZ-HW140VHA2R1(-BS)
 PUHZ-HW140VHA2R2-BS
 PUHZ-HW140VHA2R3(-BS)
 PUHZ-HW140VHA2R4(-BS)
 PUHZ-HW140VHA2R5(-BS)
 PUHZ-HW140VHA2R6(-BS)
 PUHZ-HW140VHA2R7(-BS)

PUHZ-HW140YHA(-BS)
 PUHZ-HW140YHA2(-BS)
 PUHZ-HW140YHA2R1(-BS)
 PUHZ-HW140YHA2R3(-BS)
 PUHZ-HW140YHA2R4(-BS)
 PUHZ-HW140YHA2R5(-BS)
 PUHZ-HW140YHA2R6(-BS)
 PUHZ-HW140YHA2R7(-BS)

Unit: mm



3 FOUNDATION BOLTS

Please secure the unit firmly with 4 foundation (M10) bolts. (Bolts and washers must be purchased locally.)

2 SERVICE SPACE

Dimensions of space needed for service access are shown in the below diagram.

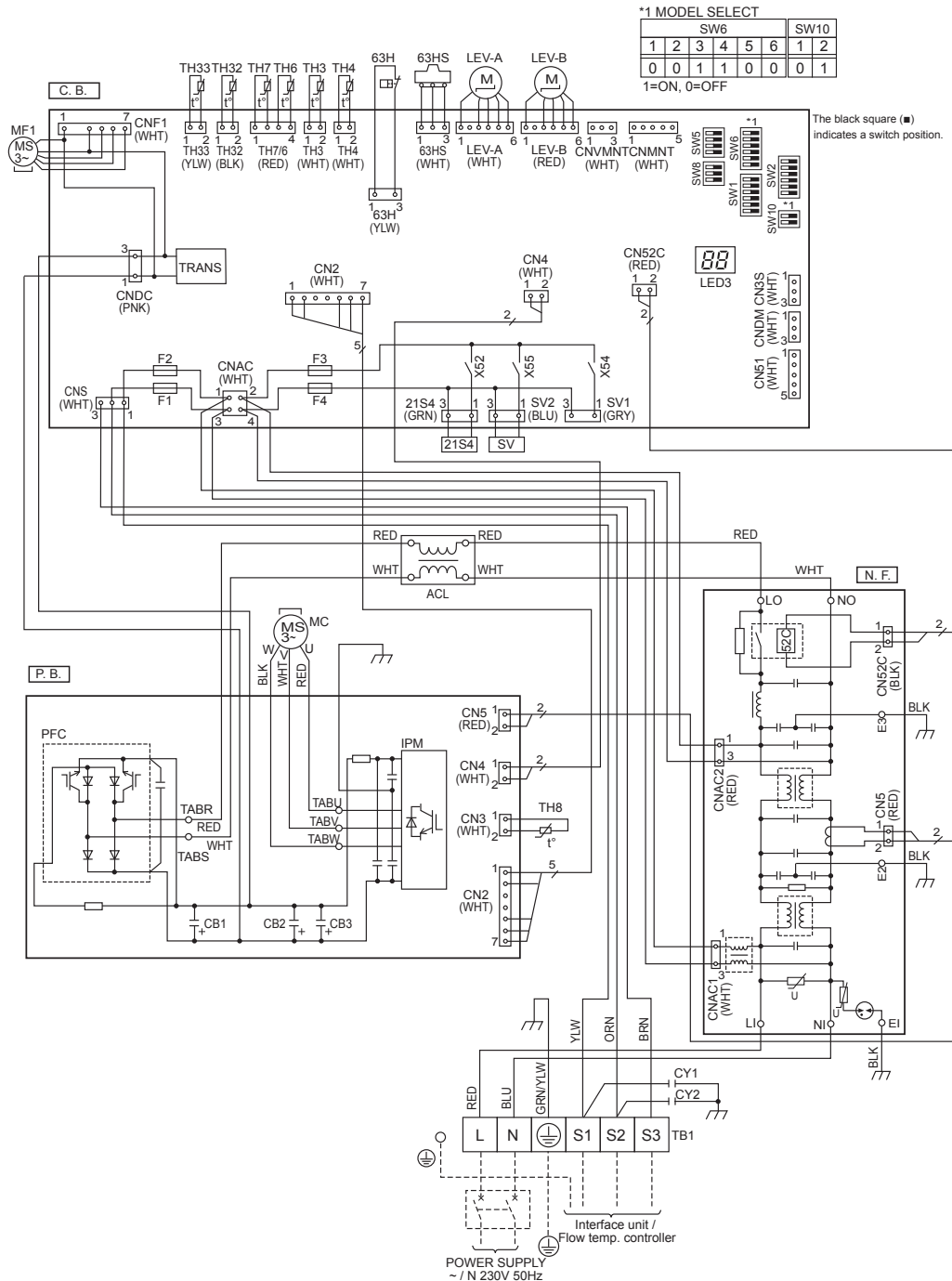
1 FREE SPACE (Around the unit)

The diagram below shows a basic example. Explanation of particular details are given in the installation manuals etc.

PUHZ-W50VHA(-BS)

PUHZ-W50VHAR1(-BS)

SYMBOL	NAME	SYMBOL	NAME
TB1	Terminal Block<Power Supply,Interface unit / Flow temp. controller>	CB1-3	Main Smoothing Capacitor
MC	Motor for Compressor	PFC/IPM	Power Module
MF1	Fan Motor	N.F.	Noise Filter Circuit Board
21S4	Solenoid Valve<Four-Way Valve>	LI,LO	Connection Terminal<L-Phase>
SV	Solenoid Valve<Bypass Valve>	NI,NO	Connection Terminal<N-Phase>
63H	High Pressure Switch	EI,E2,E3	Connection Terminal<Ground>
63HS	High Pressure Sensor	52C	52C Relay
TH3	Thermistor<Liquid>	C.B.	Controller Circuit Board
TH4	Thermistor<Discharge>	SW1	Switch<Function Switch>
TH6	Thermistor<Plate HEX liquid>	SW2	Switch<Function Switch>
TH7	Thermistor<Ambient>	SW5	Switch<Function Switch>
TH8	Thermistor<Heatsink>	SW6	Switch<Model Select>
TH32	Thermistor<Inlet water>	SW8	Switch<Function Switch>
TH33	Thermistor<Comp. Surface>	SW10	Switch<Model Select>
LEV-A, LEV-B	Electronic Expansion Valve	SV1	Connector<Connection for Option>
ACL	Reactor	CNDM	Connector<Connection for Option (Contact Input)>
CY1,CY2	Capacitor	LED3	LED<Operation/Inspection Indicators>
P.B.	Power Circuit Board	F1~ F4	Fuse<T6.3AL250V>
R/S	Connection Terminal<L/N-Phase>	X52,X54, X55	Relay
U/V/W	Connection Terminal<U/V/W-Phase>		

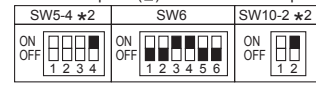


PUHZ-W50VHAR2(-BS)

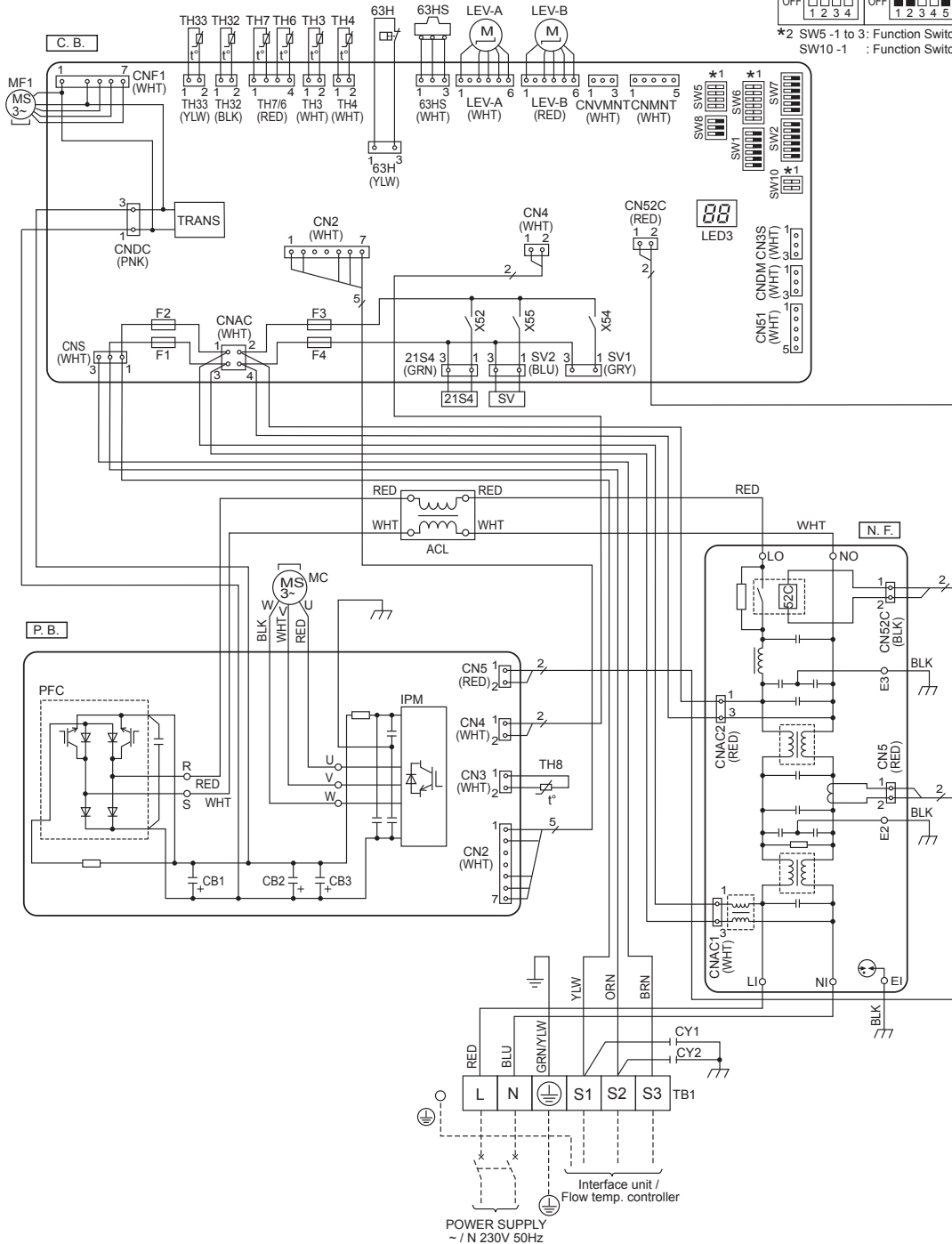
PUHZ-W50VHAR3(-BS)

SYMBOL	NAME	SYMBOL	NAME
TB1	Terminal Block<Power Supply, Interface unit / Flow temp. controller>	CB1, CB2, CB3	Main Smoothing Capacitor
MC	Motor for Compressor	PFC/IPM	Power Module
MF1	Fan Motor	N. F.	Noise Filter Circuit Board
21S4	Solenoid Valve<Four-Way Valve>	LI, LO	Connection Terminal<L-Phase>
SV	Solenoid Valve<Bypass Valve>	NI, NO	Connection Terminal<N-Phase>
63H	High Pressure Switch	E1, E2, E3	Connection Terminal<Ground>
63HS	High Pressure Sensor	52C	52C Relay
TH3	Thermistor<Liquid>	C. B.	Controller Circuit Board
TH4	Thermistor<Discharge>	SW1	Switch<Function Switch>
TH6	Thermistor<Plate HEX Liquid>	SW2	Switch<Function Switch>
TH7	Thermistor<Ambient>	SW5	Switch<Function Switch, Model Select>
TH8	Thermistor<Heat Sink>	SW6	Switch<Model Select>
TH32	Thermistor<Inlet Water>	SW8	Switch<Function Switch>
TH33	Thermistor<Comp. Surface>	SW10	Switch<Function Switch, Model Select>
LEV-A, LEV-B	Electronic Expansion Valve	SV1	Connector<Connection for Option>
ACL	Reactor	CNDM	Connector<Connection for Option>
CY1, CY2	Capacitor	LED3	LED<Operation/Inspection Indicators>
P. B.	Power Circuit Board	F1, F2, F3, F4	Fuse<T6.3AL250V>
R/S	Connection Terminal<L/N-Phase>	X52, X54, X55	Relay
U/V/W	Connection Terminal<U/V/W-Phase>		

*1 MODEL SELECT
The black square (■) indicates a switch position.

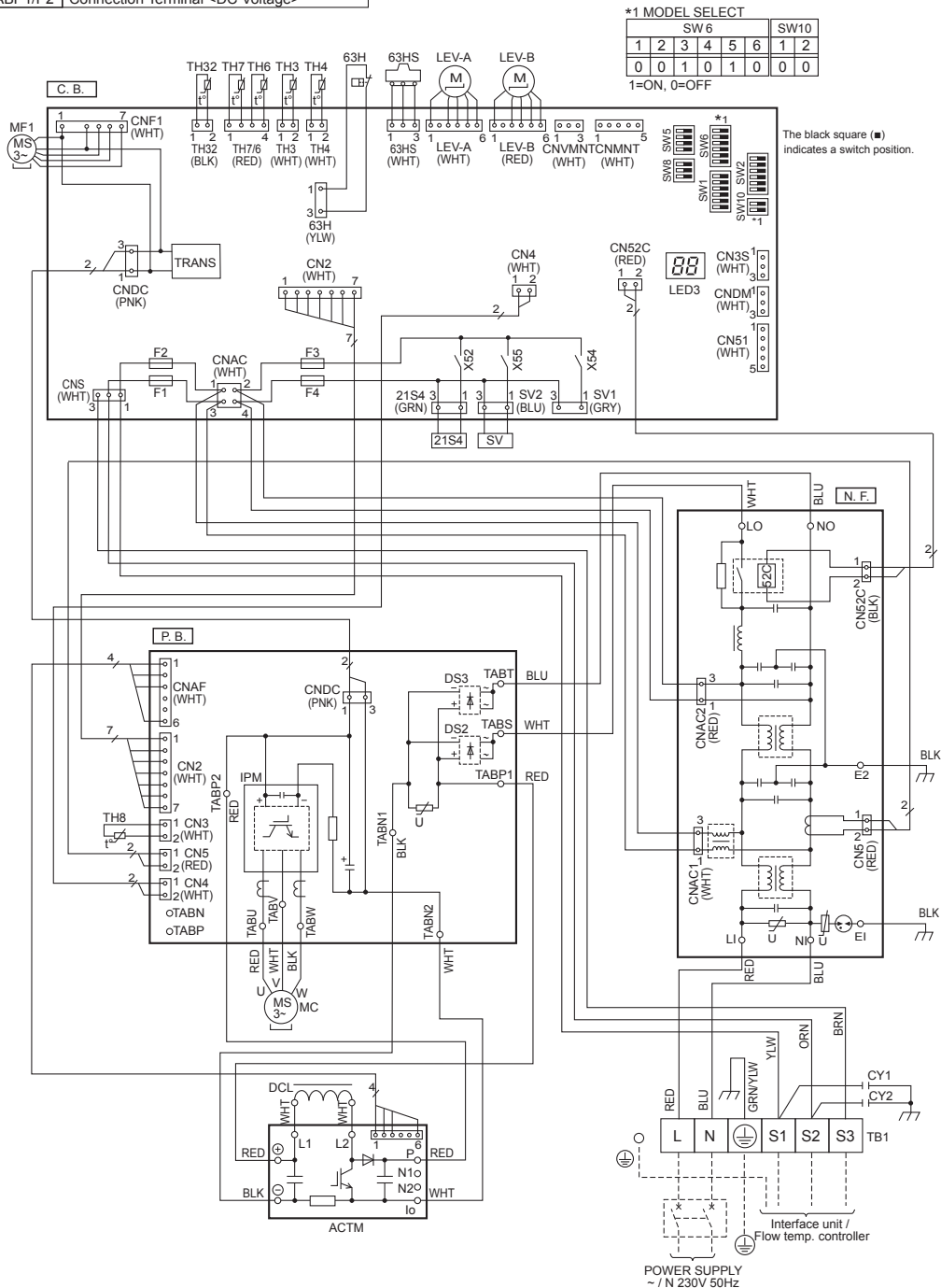


*2 SW5-1 to 3: Function Switch
SW10-1 : Function Switch



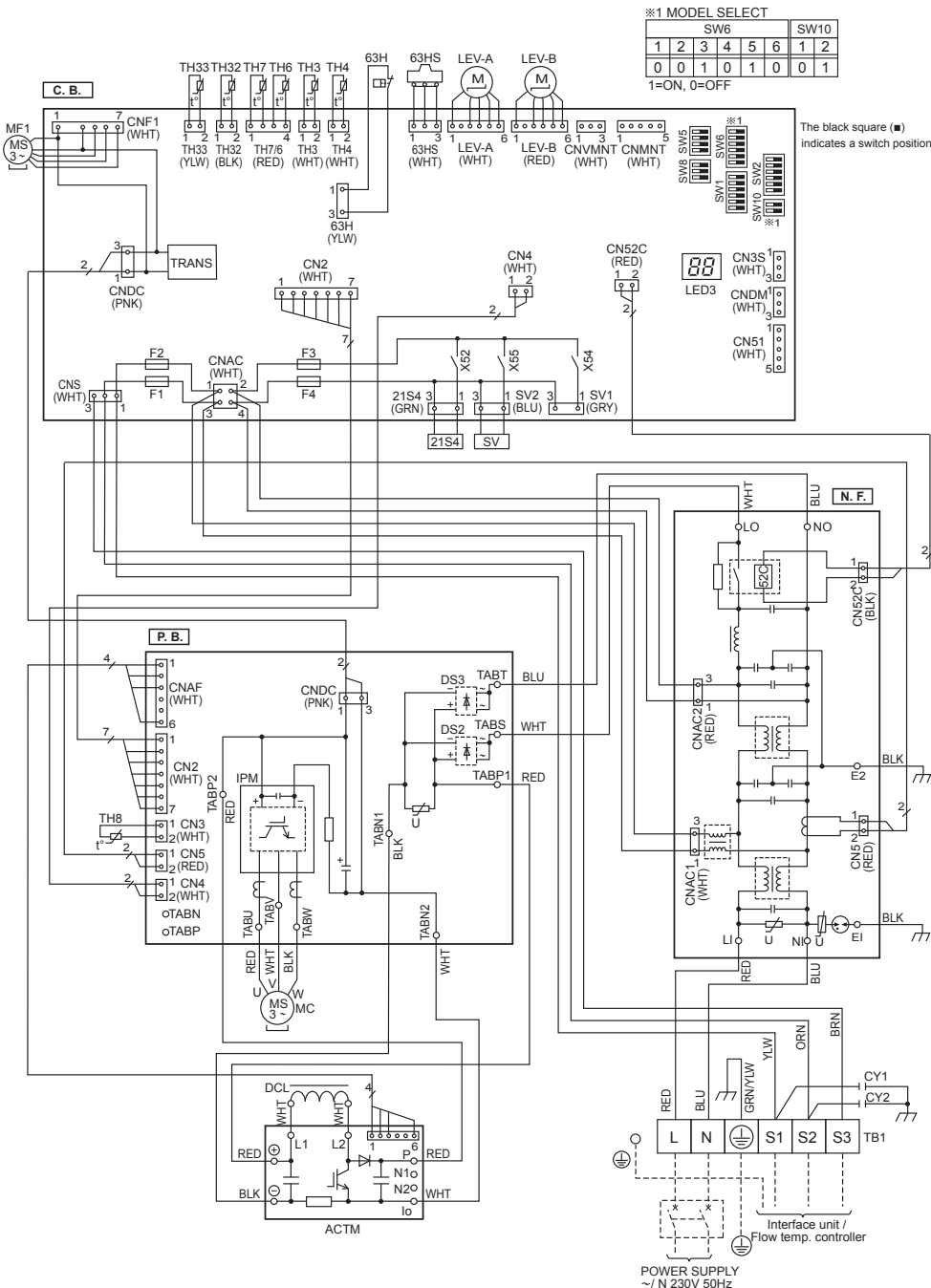
PUHZ-W85VHA(-BS)

SYMBOL	NAME	SYMBOL	NAME
TB1	Terminal Block <Power Supply,Interface unit / Flow temp. controller>	TABN1/N2	Connection Terminal <DC Voltage>
MC	Motor for Compressor	DS2, DS3	Diode bridge
MF1	Fan Motor	IPM	Power Module
21S4	Solenoid Valve <Four-Way Valve>	N.F.	Noise Filter Circuit Board
SV	Solenoid Valve <Bypass Valve>	LI,LO	Connection Terminal <L-Phase>
63H	High Pressure Switch	NI,NO	Connection Terminal <N-Phase>
63HS	High Pressure Sensor	E1,E2	Connection Terminal <Ground>
TH3	Thermistor <Liquid>	52C	52C Relay
TH4	Thermistor <Discharge>	C.B.	Controller Circuit Board
TH6	Thermistor <Plate HEX Liquid>	SW1	Switch <Function Switch>
TH7	Thermistor <Ambient>	SW2	Switch <Function Switch>
TH8	Thermistor <Heatsink>	SW5	Switch <Function Switch>
TH32	Thermistor <inlet water>	SW6	Switch <Model Select>
LEV-A, LEV-B	Electronic Expansion Valve	SW8	Switch <Function Switch>
DCL	Reactor	SW10	Switch <Model Select>
ACTM	Active Filter Module	SV1	Connector <Connection for Option>
CY1,CY2	Capacitor	CNDM	Connector <Connection for Option(Contact Input)>
P.B.	Power Circuit Board	LED3	LED <Operation/ Inspection Indicators>
TABU/V/W	Connection Terminal <U/V/W-Phase>	F1~ F4	Fuse <T6.3AL250V>
TABS/T	Connection Terminal <L/N-Phase>	X52,X54, X55	Relay
TABP1/P2	Connection Terminal <DC Voltage>		



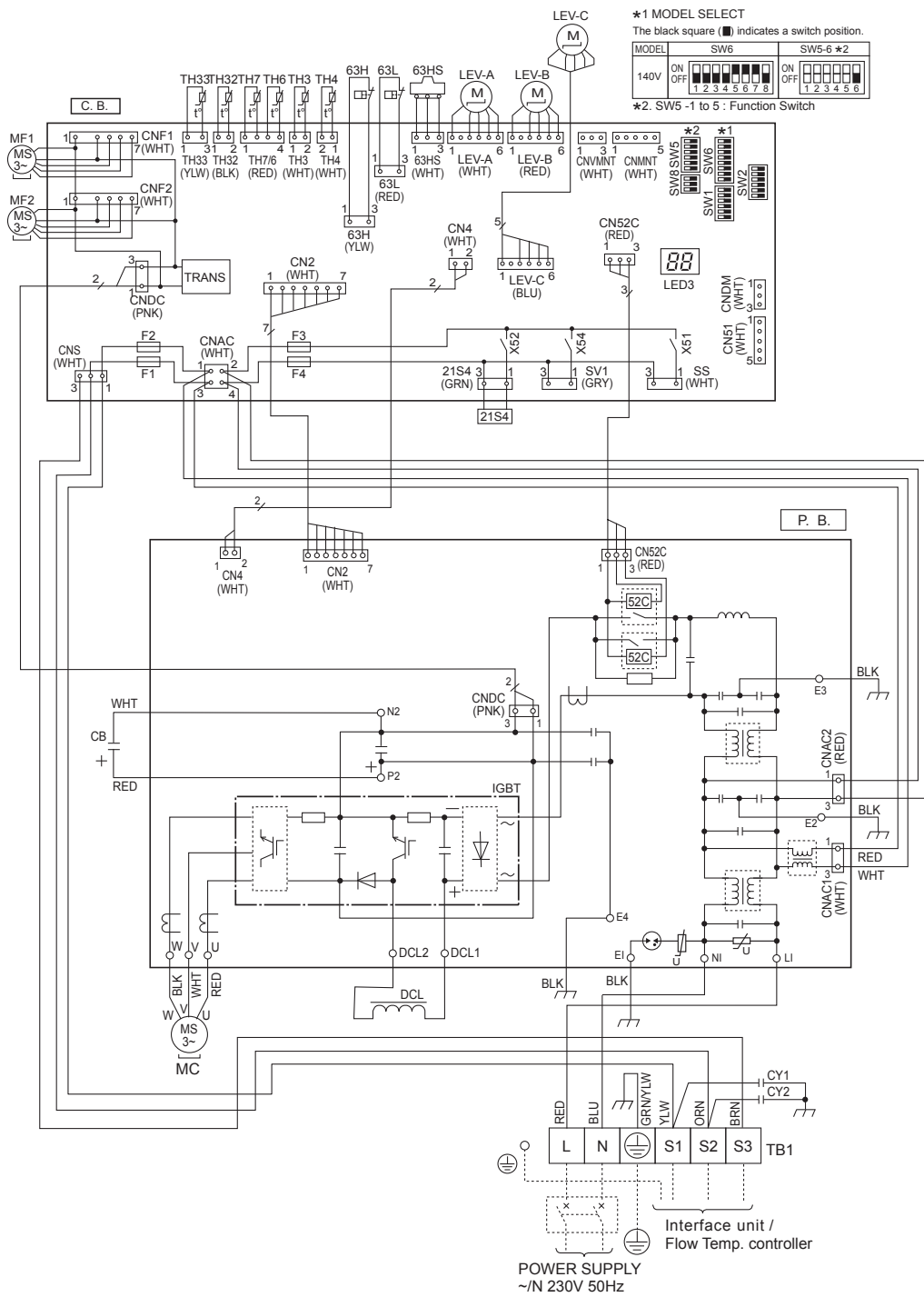
PUHZ-W85VHAR1(-BS)

SYMBOL	NAME	SYMBOL	NAME
TB1	Terminal Block <Power Supply,Interface unit / Flow temp. controller>	TABP1/P2	Connection Terminal <DC Voltage>
MC	Motor for Compressor	TABN1/N2	Connection Terminal <DC Voltage>
MF1	Fan Motor	DS2, DS3	Diode bridge
21S4	Solenoid Valve <Four-Way Valve>	IPM	Power Module
SV	Solenoid Valve <Bypass Valve>	N.F.	Noise Filter Circuit Board
63H	High Pressure Switch	LI,LO	Connection Terminal <L-Phase>
63HS	High Pressure Sensor	NI,NO	Connection Terminal <N-Phase>
TH3	Thermistor <Liquid>	E1,E2	Connection Terminal <Ground>
TH4	Thermistor <Discharge>	52C	52C Relay
TH6	Thermistor <Plate HEX liquid>	C.B.	Controller Circuit Board
TH7	Thermistor <Ambient>	SW1	Switch <Function Switch>
TH8	Thermistor <Heat sink>	SW2	Switch <Function Switch>
TH32	Thermistor <Inlet water>	SW5	Switch <Function Switch>
TH33	Thermistor <Comp Surface>	SW6	Switch <Model Select>
LEV-A, LEV-B	Electronic Expansion Valve	SW8	Switch <Function Switch>
DCL	Reactor	SW10	Switch <Model Select>
ACTM	Active Filter Module	SV1	Connector <Connection for Option>
CY1,CY2	Capacitor	CNDM	Connector <Connection for Option(Contact Input)>
P.B.	Power Circuit Board	LED3	LED <Operation/Inspection Indicators>
TABU/V/W	Connection Terminal <U/V/W-Phase>	F1~F4	Fuse <T6.3AL250V>
TABS/T	Connection Terminal <L/N-Phase>	X52,X54, X55	Relay



PUHZ-HW140VHA(-BS)

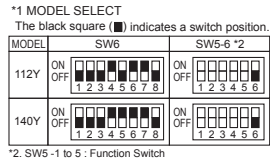
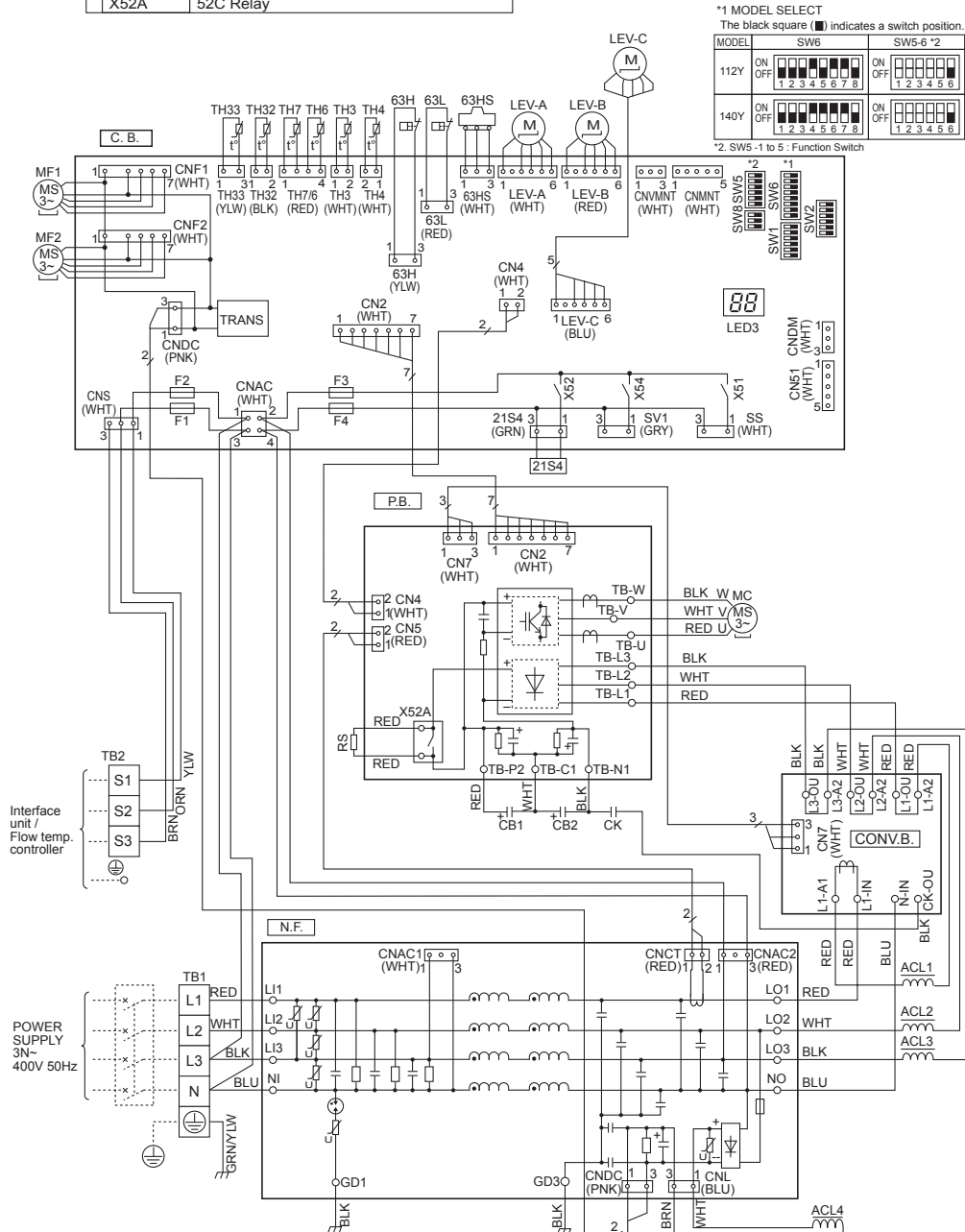
SYMBOL	NAME	P.B.	Power Circuit Board
TB1	Terminal Block<Power Supply, Interface unit / Flow Temp. controller-Outdoor>	U/V/W	Connection Terminal<U/V/W-Phase>
MC	Motor for Compressor	LI	Connection Terminal<L-Phase>
MF1, MF2	Fan Motor	NI	Connection Terminal<N-Phase>
21S4	Solenoid Valve<Four-Way Valve>	DCL1, DCL2	Connection Terminal<Reactor>
63H	High Pressure Switch	IGBT	Power Module
63L	Low Pressure Switch	E1, E2, E3, E4	Connection Terminal<Ground>
63HS	High Pressure Sensor	C.B.	Controller Circuit Board
TH3	Thermistor<Liquid>	SW1	Switch<Manual Defrost, Defect History Record Reset, Function Switch>
TH4	Thermistor<Discharge>	SW2	Switch<Function Switch>
TH6	Thermistor<Plate HEX Liquid>	SW5	Switch<Function Switch, Model Select>
TH7	Thermistor<Ambient>	SW6	Switch<Model Select>
TH32	Thermistor<Inlet Water>	SW8	Switch<Function Switch>
TH33	Thermistor<Suction>	SS	Connector<Connection for Option>
LEV-A, LEV-B, LEV-C	Electronic Expansion Valve	SV1	Connector<Connection for Option>
DCL	Reactor	CNDM	Connector<Connection for Option(Contact Input)>
CB	Main Smoothing Capacitor	LED3	LED<Operation/Inspection Indicators>
CY1, CY2	Capacitor	F1, F2, F3, F4	Fuse<T6, 3AL250V>
		X51, X52, X54	Relay



PUHZ-HW112YHA(-BS)

PUHZ-HW140YHA(-BS)

SYMBOL	NAME	SYMBOL	NAME
TB1	Terminal Block<Power Supply>	N.F.	Noise Filter Circuit Board
TB2	Terminal Block<Interface unit /Flow Temp. controller-Outdoor>	L1/L2/L3/NI	Connection Terminal<L1/L2/L3/N-Power Supply>
MC	Motor for Compressor	LO1/LO2/LO3/NO	Connection Terminal<L1/L2/L3/N-Power Supply>
MF1,MF2	Fan Motor	GD1,GD3	Connection Terminal<Ground>
21S4	Solenoid Valve<Four-Way Valve>	CONV.B.	Converter Circuit Board
63H	High Pressure Switch	L1-A1/IN	Connection Terminal<L1-Power Supply>
63L	Low Pressure Switch	L1-A2/OU	Connection Terminal<L1-Power Supply>
63HS	High Pressure Sensor	L2-A2/OU	Connection Terminal<L2-Power Supply>
TH3	Thermistor<Liquid>	L3-A2/OU	Connection Terminal<L3-Power Supply>
TH4	Thermistor<Discharge>	N-IN	Connection Terminal<N-Power Supply>
TH6	Thermistor<Plate HEX Liquid>	CK-OU	Connection Terminal
TH7	Thermistor<Ambient>	C.B.	Controller Circuit Board
TH32	Thermistor<Inlet Water>	SW1	Switch<Manual Defrost, Defect History Record Reset, Function Switch>
TH33	Thermistor<Suction>	SW2	Switch<Function Switch>
LEV-A,LEV-B,LEV-C	Electronic Expansion Valve	SW5	Switch<Function Switch,Model Select>
ACL1/2/3/4	Reactor	SW6	Switch<Model Select>
RS	Rush Current Protect Resistor	SW8	Switch<Function Switch>
CB1,CB2	Main Smoothing Capacitor	SS	Connector<Connection for Option>
CK	Capacitor	SV1	Connector<Connection for Option>
P.B.	Power Circuit Board	CNDM	Connector
TB-U/V/W	Connection Terminal<U/V/W-Phase>		<Connection for Option (Contact Input)>
TB-L1/L2/L3	Connection Terminal<L1/L2/L3-Power Supply>	LED3	LED<Operation/Inspection Indicators>
TB-P2	Connection Terminal	F1,F2,F3,F4	Fuse<T6.3AL250V>
TB-C1	Connection Terminal	X51,X52, X54	Relay
TB-N1	Connection Terminal		
X52A	52C Relay		



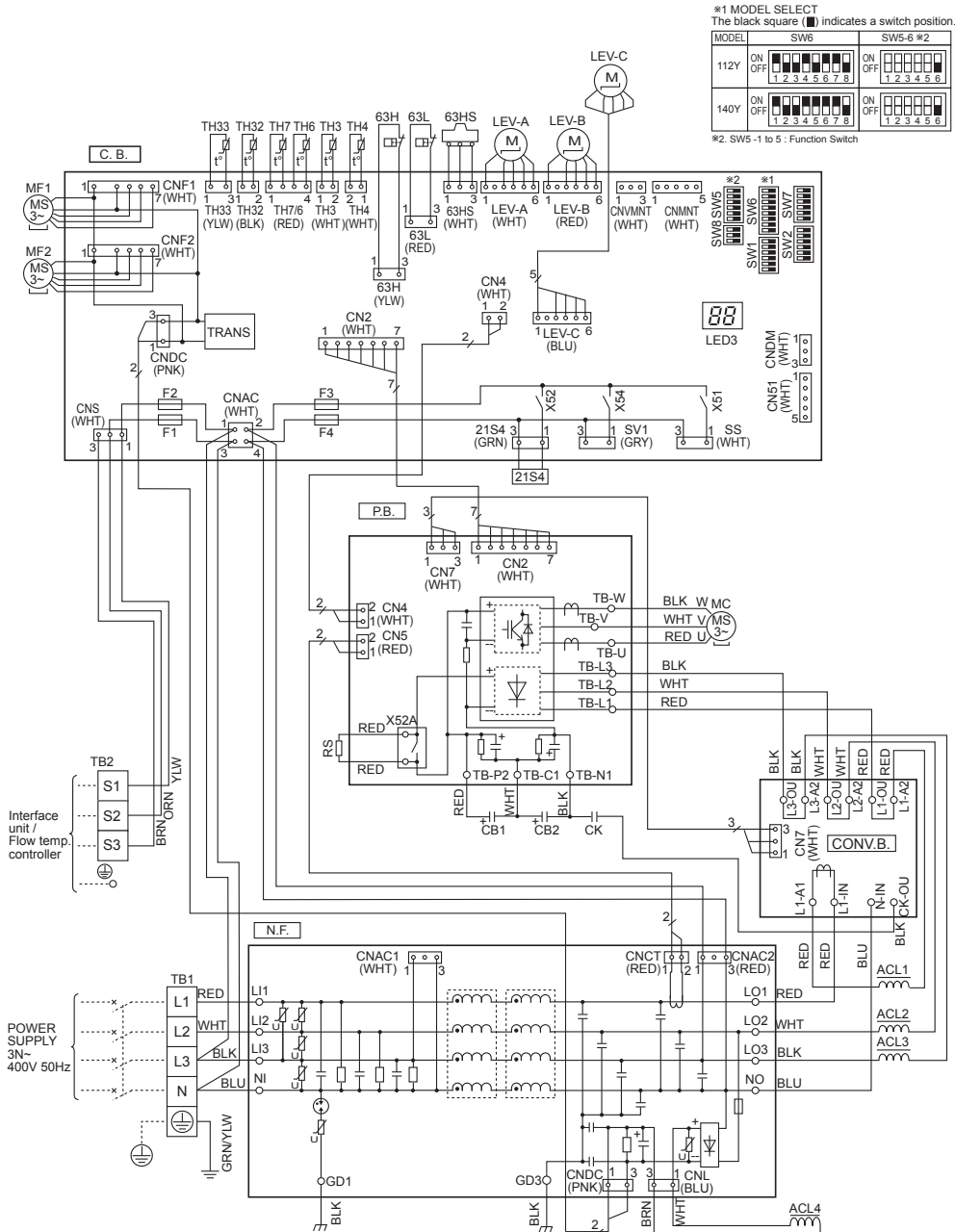
PUHZ-HW112YHA2(-BS)

PUHZ-HW140YHA2R1(-BS)

PUHZ-HW112YHA2R1(-BS)

PUHZ-HW140YHA2(-BS)

SYMBOL	NAME	SYMBOL	NAME
TB1	Terminal Block <Power Supply>	N.F.	Noise Filter Circuit Board
TB2	Terminal Block <Interface unit /Flow Temp. controller-Outdoor>	L1/L12/L13/N	Connection Terminal <L1/L2/L3/N-Power Supply>
MC	Motor for Compressor	L01/L02/L03/NO	Connection Terminal <L1/L2/L3/N-Power Supply>
MF1,MF2	Fan Motor	GD1,GD3	Connection Terminal <Ground>
21S4	Solenoid Valve <Four-Way Valve>	CONV.B.	Converter Circuit Board
63H	High Pressure Switch	L1-A1/IN	Connection Terminal <L1-Power Supply>
63L	Low Pressure Switch	L1-A2/OU	Connection Terminal <L1-Power Supply>
63HS	High Pressure Sensor	L2-A2/OU	Connection Terminal <L2-Power Supply>
TH3	Thermistor <Liquid>	L3-A2/OU	Connection Terminal <L3-Power Supply>
TH4	Thermistor <Discharge>	N-IN	Connection Terminal <N-Power Supply>
TH6	Thermistor <Plate HEX Liquid>	CK-OU	Connection Terminal
TH7	Thermistor <Ambient>	C.B.	Controller Circuit Board
TH32	Thermistor <Inlet Water>	SW1	Switch <Manual Defrost, Defect History Record Reset, Function Switch>
TH33	Thermistor <Suction>	SW2	Switch <Function Switch>
LEV-A,LEV-B,LEV-C	Electronic Expansion Valve	SW5	Switch <Function Switch,Model Select>
ACL1/2/3/4	Reactor	SW6	Switch <Model Select>
RS	Rush Current Protect Resistor	SW7	Switch <Function Switch>
CB1,CB2	Main Smoothing Capacitor	SW8	Switch <Function Switch>
CK	Capacitor	SS	Connector <Connection for Option>
P.B.	Power Circuit Board	SV1	Connector <Connection for Option>
TB-U/V/W	Connection Terminal <U/V/W-Phase>	CNDM	Connector <Connection for Option(Contact Input)>
TB-L1/L2/L3	Connection Terminal <L1/L2/L3-Power Supply>	LED3	LED <Operation/Inspection Indicators>
TB-P2	Connection Terminal	F1,F2,F3,F4	Fuse <T6.3AL250V>
TB-C1	Connection Terminal	X51,X52, X54	Relay
TB-N1	Connection Terminal		
X52A	52C Relay		



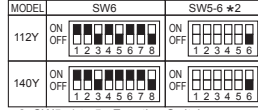
PUHZ-HW112YHA2R3(-BS)
PUHZ-HW112YHA2R4(-BS)

PUHZ-HW140YHA2R3(-BS)
PUHZ-HW140YHA2R4(-BS)

SYMBOL	NAME	SYMBOL	NAME
TB1	Terminal Block<Power Supply>	N. F.	Noise Filter Circuit Board
TB2	Terminal Block<Indoor/Outdoor>	L1, L2, L3, NI	Connection Terminal<L1/L2/L3-Power Supply>
MC	Motor for Compressor	LO1, LO2, LO3, NO	Connection Terminal<L1/L2/L3-Power Supply>
MF1, MF2	Fan Motor	GD1, GD3	Connection Terminal<Ground>
21S4	Solenoid Valve<Four-Way Valve>	CONV. B.	Converter Circuit Board
63H	High Pressure Switch	L1-A1/IN	Connection Terminal<L1-Power Supply>
63L	Low Pressure Switch	L1-A2/OU	Connection Terminal<L1-Power Supply>
63HS	High Pressure Sensor	L2-A2/OU	Connection Terminal<L2-Power Supply>
TH3	Thermistor<Liquid>	L3-A2/OU	Connection Terminal<L3-Power Supply>
TH4	Thermistor<Discharge>	N-IN	Connection Terminal
TH6	Thermistor<Plate HEX Liquid>	CK-OU	Connection Terminal
TH7	Thermistor<Ambient>	C. B.	Controller Circuit Board
TH8	Thermistor<internal>-Heat Sink>	SW1	Switch<Manual Defrost, Defect History, Record Reset, Function Switch>
TH32	Thermistor<Inlet Water>	SW2	Switch<Function Switch>
TH33	Thermistor<Suction>	SW5	Switch<Function Switch, Model Select>
TH34	Thermistor<Comp. Surface>	SW6	Switch<Model Select>
LEV-A, LEV-B, LEV-C	Linear Expansion Valve	SW7	Switch<Function Switch>
ACL1, ACL2, ACL3, ACL4	Reactor	SW8	Switch<Function Switch>
RS	Rush Current Protect Resistor	SW9	Switch<Function Switch>
CB1, CB2	Main Smoothing Capacitor	CN51	Connector<Connection for Option>
CK	Capacitor	CNDM	Connector<Connection for Option>
P. B.	Power Circuit Board	SV1/CH	Connector<Connection for Option>
TB-U/V/W	Connection Terminal<U/V/W-Phase>	SS	Connector<Connection for Option>
TB-L1/L2/L3	Connection Terminal<L1/L2/L3-Power Supply>	LED3	LED<Operation/Inspection Indicators>
TB-P2	Connection Terminal	F1, F2, F3, F4	Fuse<T6.3AL250V>
TB-C1	Connection Terminal	X51, X52, X54	Relay
TB-N1	Connection Terminal		
X52A	52C Relay		

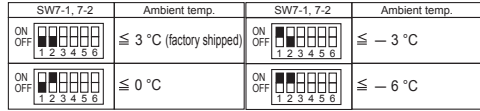
***1 MODEL SELECT**

The black square (■) indicates a switch position.

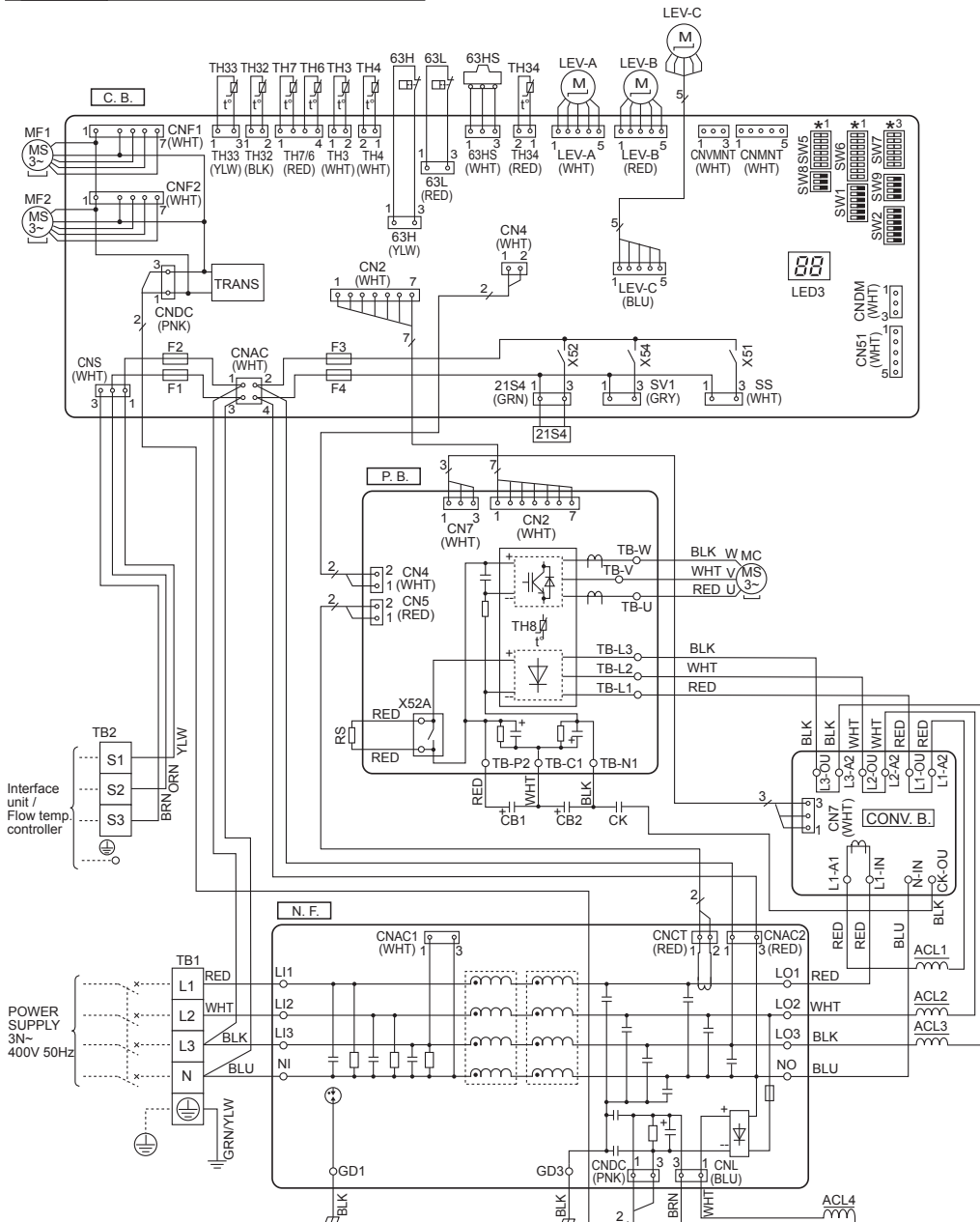


*2. SW5 -1 to 5 : Function Switch

*3 Ambient temp. of ZUBADAN Flash Injection becomes effective. The black square (■) indicates a switch position.



SW7-3 to 6 : Function Switch

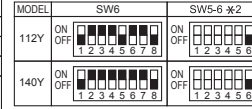


PUHZ-HW112YHA2R5(-BS)
PUHZ-HW112YHA2R6(-BS)
PUHZ-HW112YHA2R7(-BS)

PUHZ-HW140YHA2R5(-BS)
PUHZ-HW140YHA2R6(-BS)
PUHZ-HW140YHA2R7(-BS)

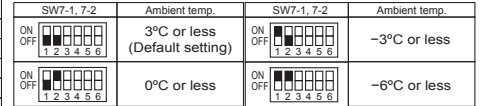
SYMBOL	NAME	SYMBOL	NAME
TB1	Terminal Block<Power Supply>	RS	Rush Current Protect Resistor
TB2	Terminal Block<Indoor/Outdoor>	P. B.	Power Circuit Board
MC	Motor for Compressor	N. F.	Noise Filter Circuit Board
MF1, MF2	Fan Motor	CONV. B.	Converter Circuit Board
21S4	Solenoid Valve(4-Way Valve)	C. B.	Controller Circuit Board
63H	High Pressure Switch	SW1	Switch<Manual Defrost, Defect History Record Reset, Function Switch>
63L	Low Pressure Switch	SW2	Switch<Function Switch>
63HS	High Pressure Sensor	SW4	Switch<Function Switch>
TH3	Thermistor<Liquid>	SW5	Switch<Function Switch, Model Select>
TH4	Thermistor<Discharge>	SW6	Switch<Model Select>
TH6	Thermistor<Plate HEX Liquid>	SW7	Switch<Function Switch>
TH7	Thermistor<Ambient>	SW8	Switch<Function Switch>
TH8	Thermistor<Heat Sink>	SW9	Switch<Function Switch>
TH32	Thermistor<Inlet Water>	CNDM	Connector<Connection for Option>
TH33	Thermistor<Suction>	SV1/CH	Connector<Connection for Option>
TH34	Thermistor<Comp. Surface>	SV3/SS	Connector<Connection for Option>
LEV-A, LEV-B, LEV-C	Linear Expansion Valve	F1, F2	Fuse<T10AL250V>
AQL1, AQL2, AQL3, AQL4	Reactor	F3, F4	Fuse<T6.3AL250V>
CY1, CY2	Capacitor		
CK	Capacitor		

*1 MODEL SELECT



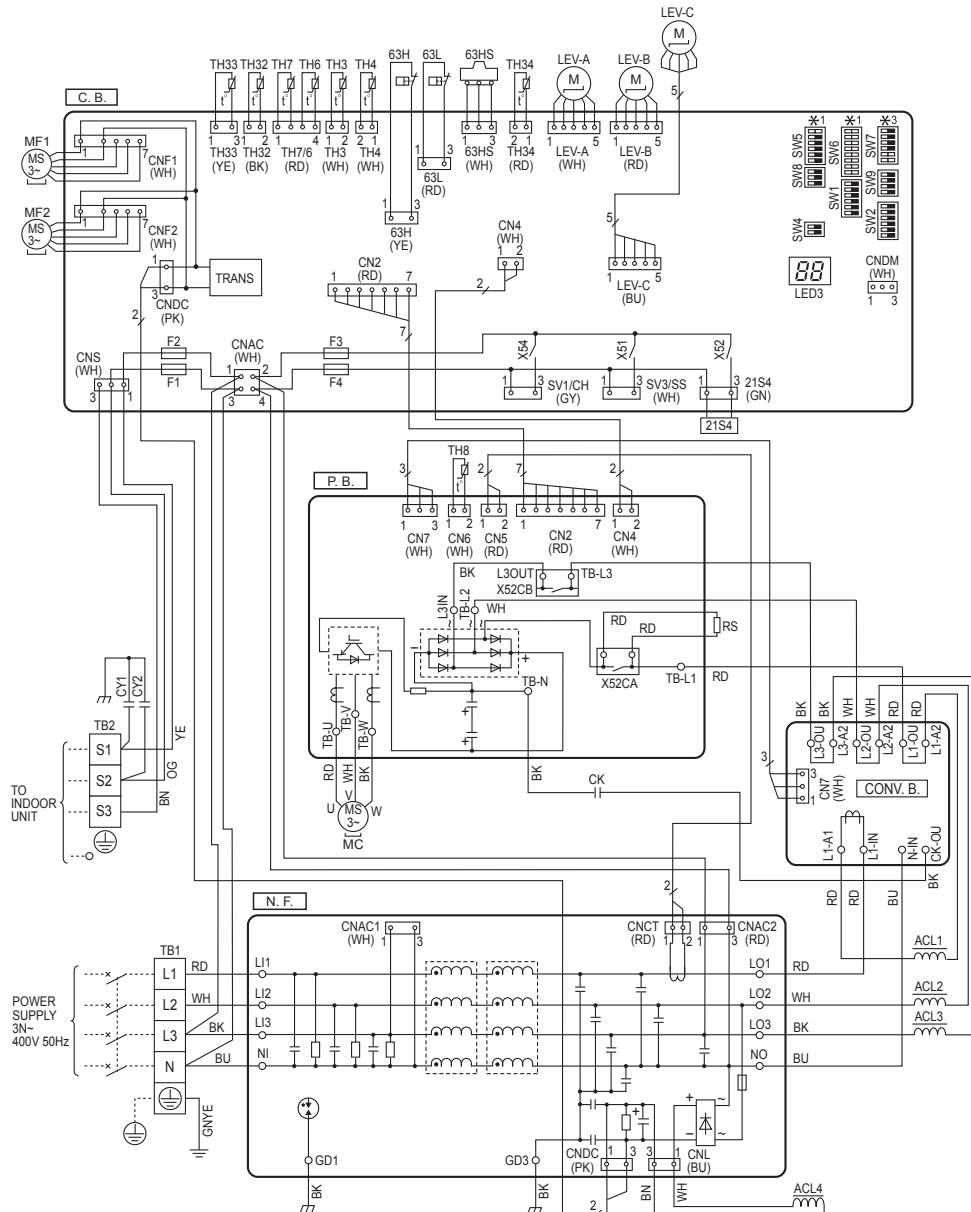
*2 SW5-1 to 5 : Function Switch

*3 Ambient temp. of ZUBADAN Flash Injection becomes effective.



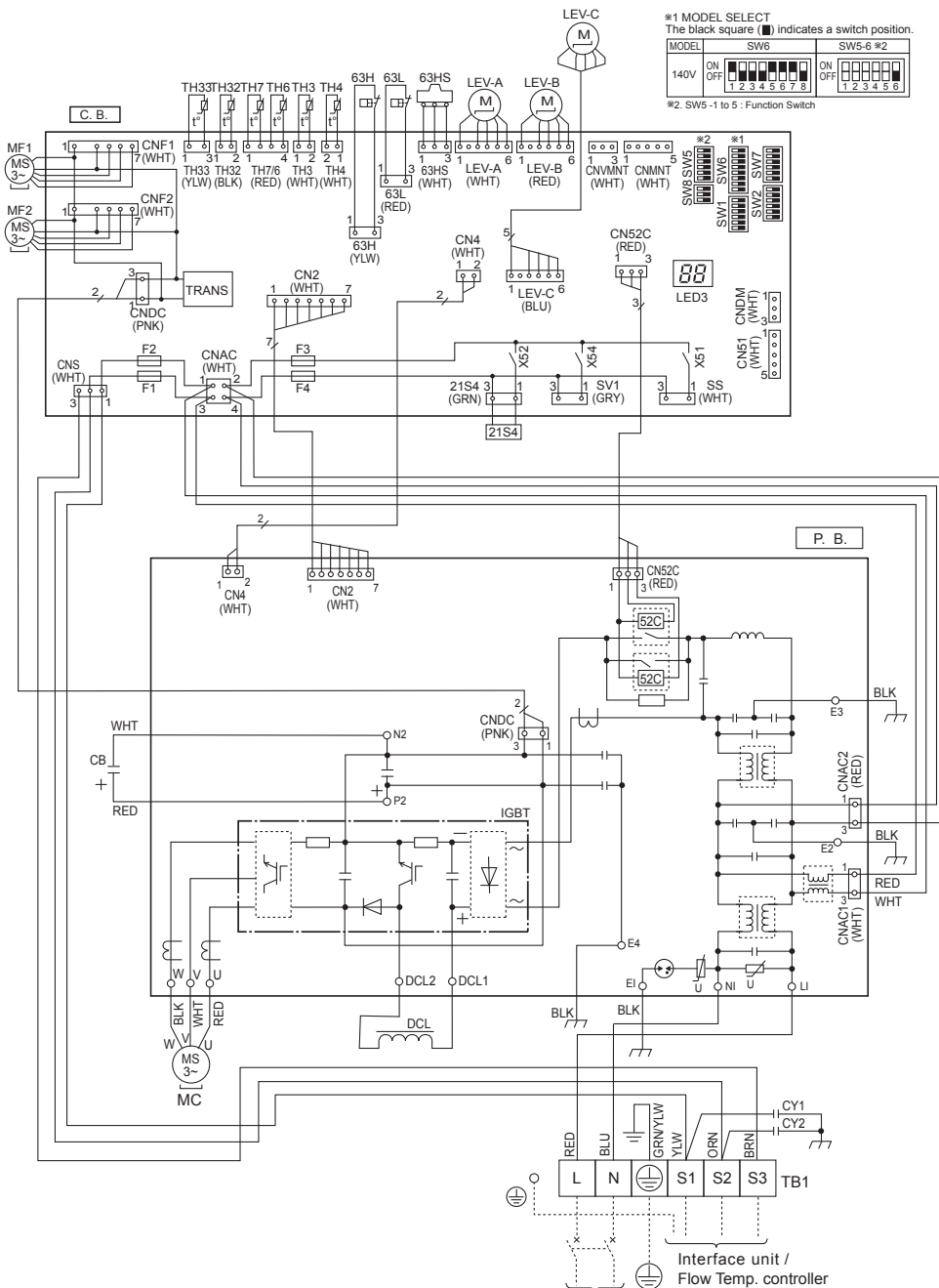
SW7-3 to 6 : Function Switch

The black square (■) indicates a switch position.



PUHZ-HW140VHA2(-BS)
PUHZ-HW140VHA2R1(-BS)
PUHZ-HW140VHA2R2-BS

SYMBOL	NAME	SYMBOL	NAME
TB1	Terminal Block <Power Supply, Interface unit / Flow Temp. controller-Outdoor>	NI	Connection Terminal <N-Phase>
MC	Motor for Compressor	DCL1,DCL2	Connection Terminal <Reactor>
MF1,MF2	Fan Motor	IGBT	Power Module
21S4	Solenoid Valve <Four-Way Valve>	E1,E2,E3,E4	Connection Terminal <Ground>
63H	High Pressure Switch	C.B.	Controller Circuit Board
63L	Low Pressure Switch	SW1	Switch <Manual Defrost, Defect History Record Reset, Function Switch>
63HS	High Pressure Sensor	SW2	Switch <Function Switch>
TH3	Thermistor <Liquid>	SW5	Switch <Function Switch, Model Select>
TH4	Thermistor <Discharge>	SW6	Switch <Model Select>
TH6	Thermistor <Plate HEX Liquid>	SW7	Switch <Function Switch>
TH7	Thermistor <Ambient>	SW8	Switch <Function Switch>
TH32	Thermistor <Inlet Water>	SS	Connector <Connection for Option>
TH33	Thermistor <Suction>	SV1	Connector <Connection for Option>
LEV-A,LEV-B,LEV-C	Electronic Expansion Valve	CNDM	Connector <Connection for Option(Contact Input)>
DCL	Reactor	LED3	LED <Operation/Inspection Indicators>
CB	Main Smoothing Capacitor	F1,F2,F3,F4	Fuse <T6.3AL250V>
CY1,CY2	Capacitor	X51,X52, X54	Relay
P.B.	Power Circuit Board		
U/V/W	Connection Terminal <U/V/W-Phase>		
LI	Connection Terminal <L-Phase>		



PUHZ-HW140VHA2R3(-BS) PUHZ-HW140VHA2R4(-BS)

SYMBOL	NAME	SYMBOL	NAME
TB1	Terminal Block<Power Supply, Indoor/Outdoor>	NI	Connection Terminal<N-Phase>
MC	Motor for Compressor	DCL1, DCL2	Connection Terminal<Reactor>
MF1, MF2	Fan Motor	IGBT	Power Module
21S4	Solenoid Valve(Four-Way Valve)	E1, E2, E3, E4	Connection Terminal<Ground>
63H	High Pressure Switch	C. B.	Controller Circuit Board
63L	Low Pressure Switch	SW1	Switch<Manual Defrost, Defect History, Record Reset, Function Switch>
63HS	High Pressure Sensor	SW2	Switch<Function Switch>
TH3	Thermistor<Liquid>	SW5	Switch<Function Switch, Model Select>
TH4	Thermistor<Discharge>	SW6	Switch<Model Select>
TH6	Thermistor<Plate HEX Liquid>	SW7	Switch<Function Switch>
TH7	Thermistor<Ambient>	SW8	Switch<Function Switch>
TH8	Thermistor<Internal><Heat Sink>	SW9	Switch<Function Switch>
TH32	Thermistor<Inlet Water>	CN51	Connector<Connection for Option>
TH33	Thermistor<Suction>	SS	Connector<Connection for Option>
TH34	Thermistor<Comp. Surface>	SV1	Connector<Connection for Option>
LEV-A, LEV-B, LEV-C	Linear Expansion Valve	CNDM	Connector <Connection for Option>
DCL	Reactor	LED3	LED<Operation/Inspection Indicators>
CB	Main Smoothing Capacitor	F1, F2, F3, F4	Fuse<T6.3AL250V>
CY1, CY2	Capacitor	X51, X52, X54	Relay
P. B.	Power Circuit Board		
U, V, W	Connection Terminal<U/V/W-Phase>		
LI	Connection Terminal<L-Phase>		

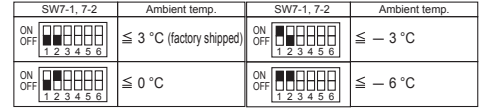
***1 MODEL SELECT**

The black square (■) indicates a switch position.

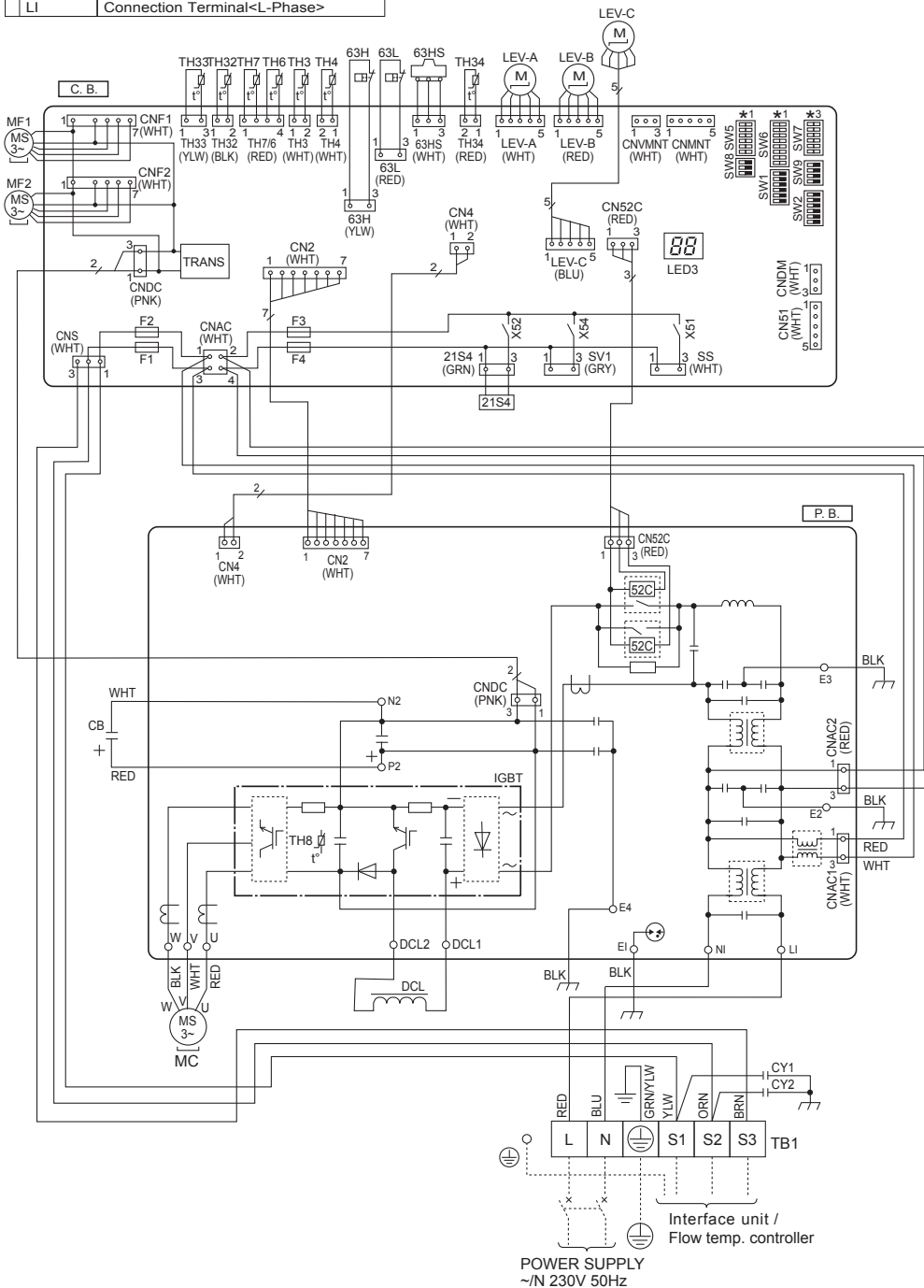


*2. SW5 -1 to 5 : Function Switch

*3 Ambient temp. of ZUBADAN Flash Injection becomes effective. The black square (■) indicates a switch position.



SW7-3 to 6 : Function Switch



POWER SUPPLY
~N 230V 50Hz

PUHZ-HW140VHA2R5(-BS)

PUHZ-HW140VHA2R6(-BS)

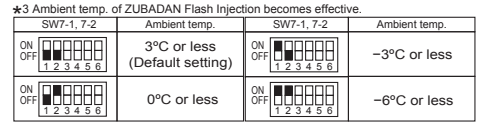
PUHZ-HW140VHA2R7(-BS)

SYMBOL	NAME	SYMBOL	NAME
TB1	Terminal Block<Power Supply, Indoor/Outdoor>	CY1, CY2	Capacitor
MC	Motor for Compressor	P. B.	Power Circuit Board
MF1, MF2	Fan Motor	C. B.	Controller Circuit Board
21S4	Solenoid Valve(4-Way Valve)	SW1	Switch<Manual Defrost, Defect History Record Reset, Function Switch>
63H	High Pressure Switch	SW2	Switch<Function Switch>
63L	Low Pressure Switch	SW4	Switch<Function Switch>
63HS	High Pressure Sensor	SW5	Switch<Function Switch, Model Select>
TH3	Thermistor<Liquid>	SW6	Switch<Model Select>
TH4	Thermistor<Discharge>	SW7	Switch<Function Switch>
TH6	Thermistor<Plate HEX Liquid>	SW8	Switch<Function Switch>
TH7	Thermistor<Ambient>	SW9	Switch<Function Switch>
TH8	Thermistor internal<Heat Sink>	SV1/CH	Connector<Connection for Option>
TH32	Thermistor<Inlet Water>	SV3/SS	Connector<Connection for Option>
TH33	Thermistor<Suction>	CNDM	Connector <Connection for Option>
TH34	Thermistor<Comp. Surface>	F1, F2	Fuse<T10AL250V>
LEV-A, LEV-B, LEV-C	Linear Expansion Valve	F3, F4	Fuse<T6.3AL250V>
DCL	Reactor		

*1 MODEL SELECT

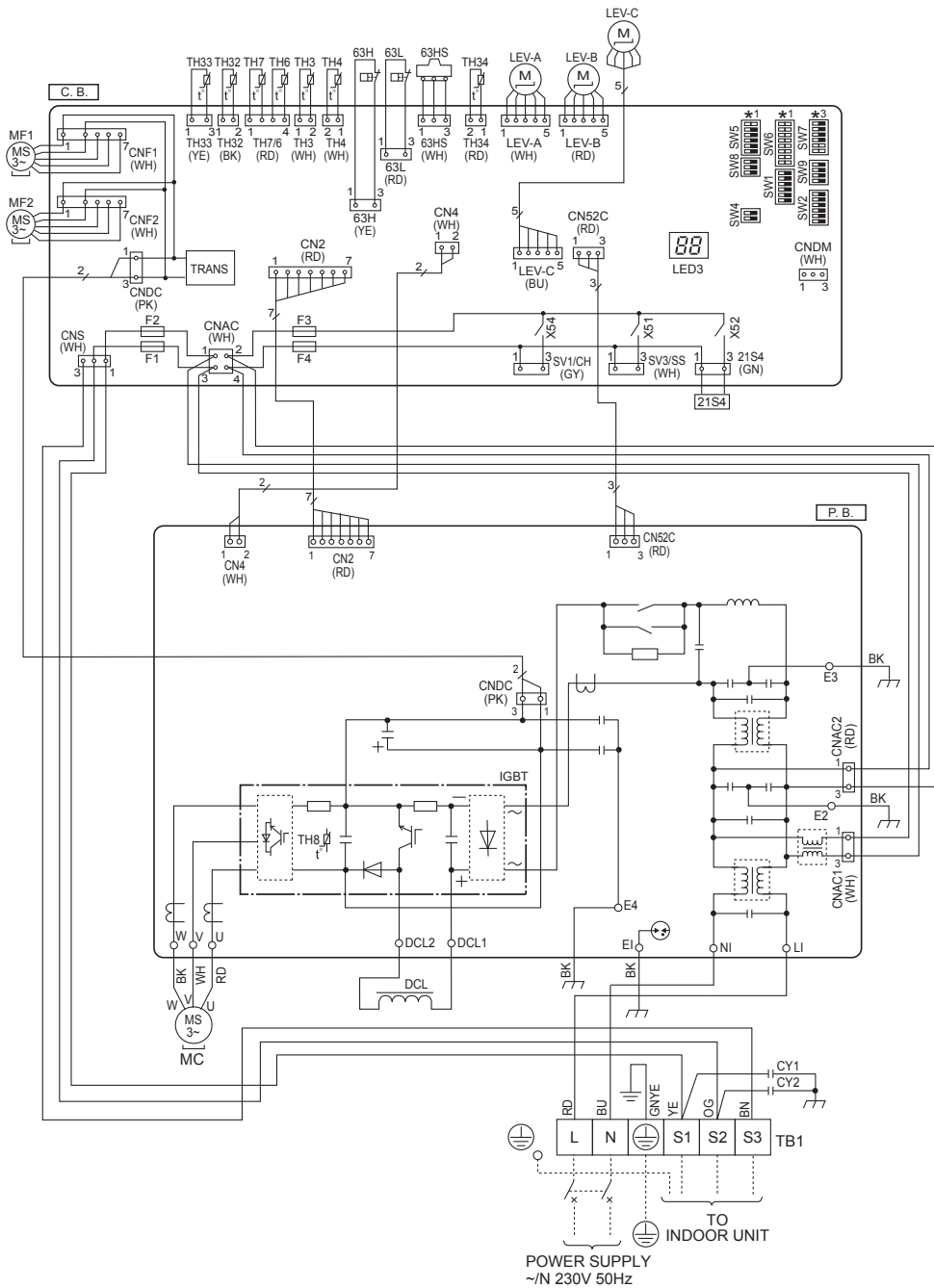


*2 SW5-1 to 5 : Function Switch



SW7-3 to 6 : Function Switch

The black square (■) indicates a switch position.



FIELD ELECTRICAL WIRING (power wiring specifications)

Outdoor unit model		50V	85V	140V	112Y, 140Y
Outdoor unit power supply		~N (single), 50 Hz, 230 V	~N (single), 50 Hz, 230 V	~N (single), 50 Hz, 230 V	3N~ (3phase), 50 Hz, 400 V
Outdoor unit Circuit Breaker capacity		*1 16 A	25 A	40 A	16 A
Wiring Wire No. × size (mm ²)	Outdoor unit power supply, earth	3 × Min 1.5	3 × Min 4	3 × Min 6	5 × Min 1.5
	Interface unit/Flow temp. controller-Outdoor unit	*2 3 × 1.5 (polar)	3 × 1.5 (polar)	3 × 1.5 (polar)	3 × 1.5 (polar)
	Interface unit/Flow temp. controller-Outdoor unit earth	*2 1 × Min 1.5	1 × Min 1.5	1 × Min 1.5	1 × Min 1.5
	Remote controller-Interface unit/Flow temp. controller	2 × 0.3 (Non-polar)	2 × 0.3 (Non-polar)	2 × 0.3 (Non-polar)	2 × 0.3 (Non-polar)
Circuit rating	Outdoor unit L-N (single)	*3 230 V AC	230 V AC	230 V AC	230 V AC
	Outdoor unit L1-N, L2-N, L3-N (3phase)				
	Interface unit/Flow temp. controller-Outdoor unit S1-S2	*3 230 V AC	230 V AC	230 V AC	230 V AC
	Interface unit/Flow temp. controller-Outdoor unit S2-S3	*3 24 V DC	24 V DC	24 V DC	24 V DC
	Remote controller-Interface unit/Flow temp. controller	*3 12 V DC	12 V DC	12 V DC	12 V DC

*1 A breaker with at least 3.0 mm contact separation in each pole shall be provided. Use earth leakage breaker (NV).

Make sure that the current leakage breaker is one compatible with higher harmonics.

Always use a current leakage breaker that is compatible with higher harmonics as this unit is equipped with an inverter.

The use of an inadequate breaker can cause the incorrect operation of inverter.

*2 Maximum 80 m

*3 The figures are NOT always against the ground.

S3 terminal has 24 V DC against S2 terminal. However between S3 and S1, these terminals are NOT electrically insulated by the transformer or other device.

⚠ Caution: Be sure to install N-line. Without N-line, it could cause damage to the unit.

Notes: 1. Wiring size must comply with the applicable local and national codes.

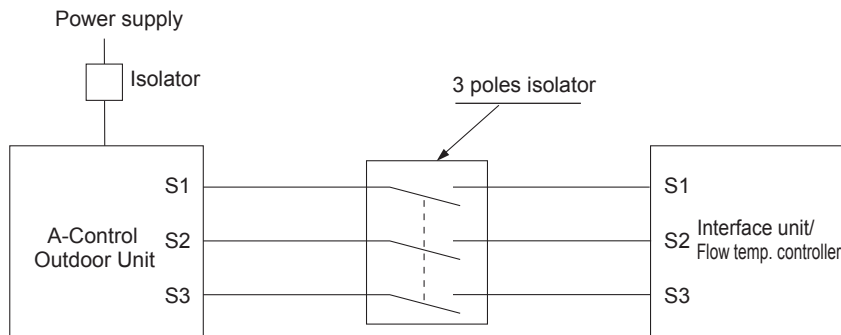
2. Power supply cables and the cables between Controller and Outdoor unit shall not be lighter than polychloroprene sheathed flexible cables. (Design 60245 IEC 57)

3. Be sure to connect the cables between Controller and Outdoor unit directly to the units (no intermediate connections are allowed).

Intermediate connections may result in communication errors. If water enters at the intermediate connection point, it may cause insufficient insulation to ground or a poor electrical contact.

(If an intermediate connection is necessary, be sure to take measures to prevent water from entering the cables.)

4. Install an earth line longer than power cables.



⚠ Warning:

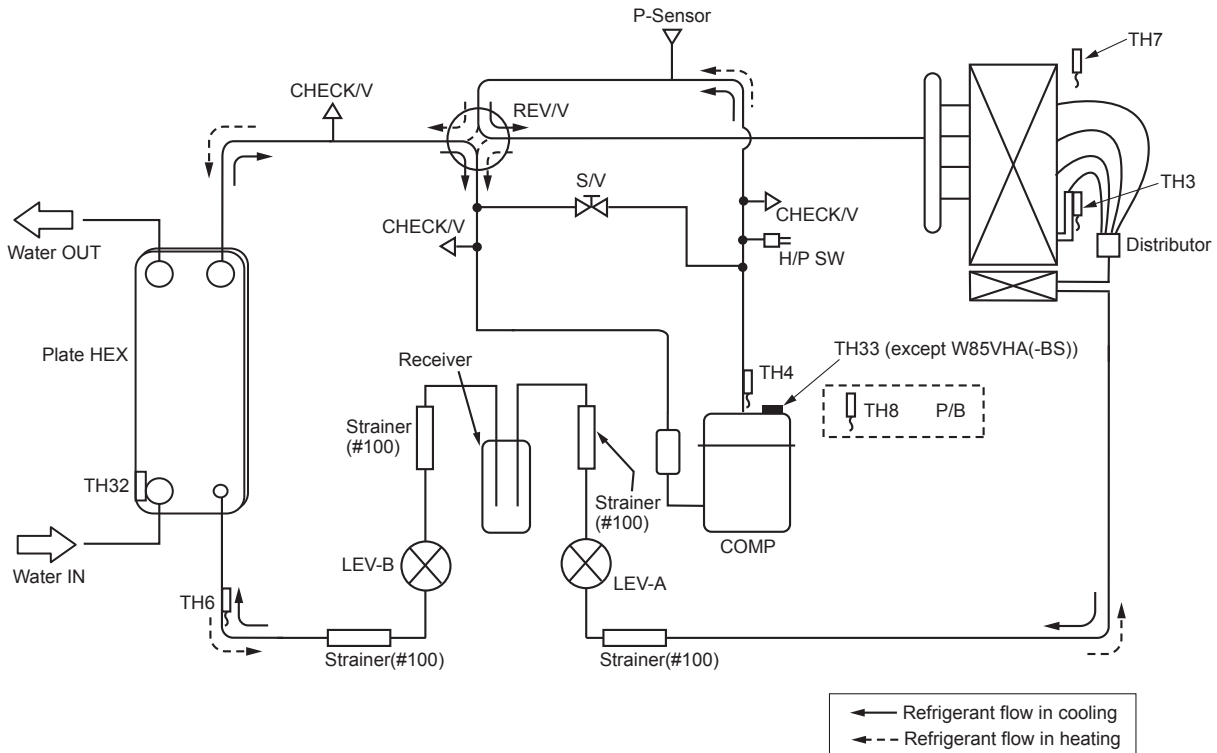
In case of A-control wiring, there is high voltage potential on the S3 terminal caused by electrical circuit design that has no electrical insulation between power line and communication signal line. Therefore, please turn off the main power supply when servicing.

And do not touch the S1, S2, S3 terminals when the power is energized. If isolator should be used between Interface unit/Flow temp. controller and outdoor unit, please use 3-pole type.

Never splice the power cable or the Interface unit/Flow temp. controller - outdoor connection cable, otherwise it may result in smoke emission, a fire or communication failure.

PUHZ-W50VHA(-BS)
 PUHZ-W50VHAR1(-BS)
 PUHZ-W50VHAR2(-BS)
 PUHZ-W50VHAR3(-BS)

PUHZ-W85VHA(-BS)
 PUHZ-W85VHAR1(-BS)



Symbol	Part name	Detail
COMP	Compressor	DC inverter twin rotary compressor (Mitsubishi Electric Corporation)
H/P SW	High pressure switch (63H)	For protection (OFF: 4.15 MPa)
Plate HEX	Plate Heat Exchanger	ACH30-30 (ALFA LAVAL) ^{(*)1} /MWA1-28LM (MITSUBISHI) ^{(*)2} /ACH30-40 (ALFA LAVAL) ^{(*)3}
REV/V	Reversing (4-way) valve (21S4)	Change the refrigerant circuit (Heating/Cooling) and for Defrosting
S/V	Solenoid valve	For production test use
CHECK/V	Check valve	High pressure/Low pressure/For production test use
P-Sensor	Pressure sensor (63HS)	For calculation of the condensing temperature from high pressure
P/B	Power board	Inverter power board
LEV-A	Linear expansion valve-A	Heating: Secondary LEV Cooling: Primary LEV
LEV-B	Linear expansion valve-B	Heating: Primary LEV Cooling: Secondary LEV
TH32	Inlet water temperature thermistor	For freeze protection and for compressor frequency control
TH3	Liquid temperature thermistor	Heating: Evaporating temperature Cooling: Sub cool liquid temperature
TH4	Discharge temperature thermistor	For LEV control and for compressor protection
TH6	Plate HEX liquid temperature thermistor	Heating: Sub cool liquid temperature Cooling: Evaporating temperature
TH7	Ambient temperature thermistor	For fan control and for compressor frequency control
TH8	Heat sink temperature thermistor	For power board protection
TH33	Comp. surface temperature thermistor	For compressor protection
Receiver	Receiver	For accumulation of refrigerant

^{*1} PUHZ-W50VHA(-BS), PUHZ-W50VHAR1(-BS)

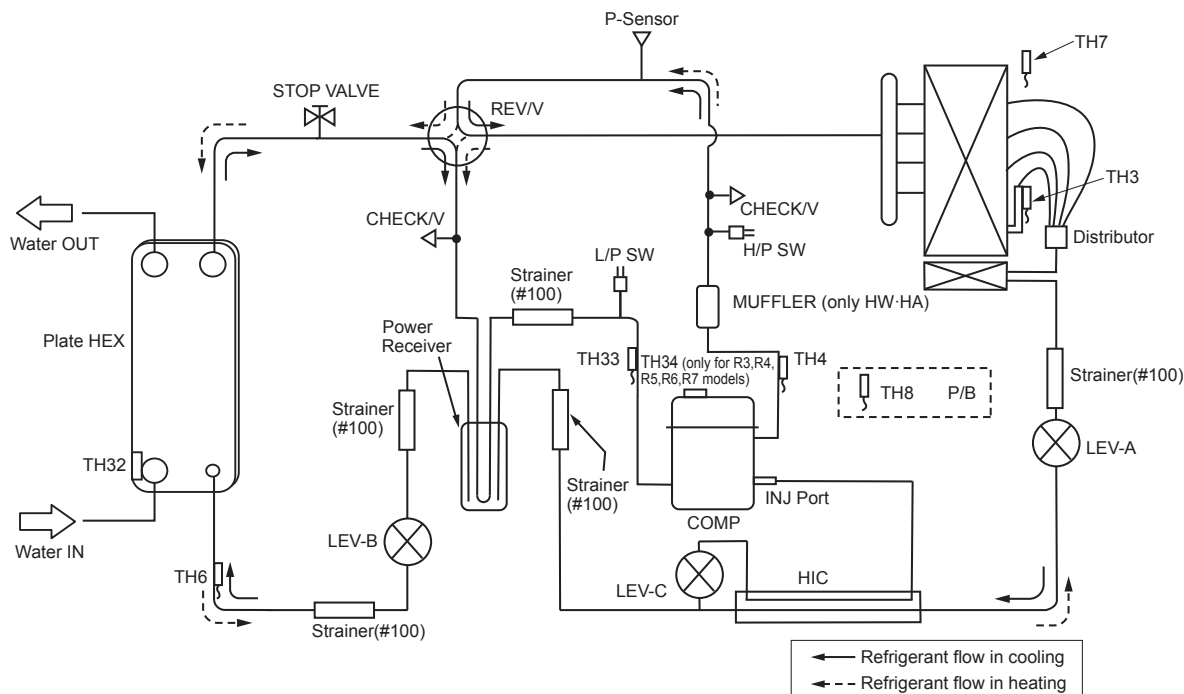
^{*2} PUHZ-W50VHAR2(-BS), PUHZ-W50VHAR3(-BS)

^{*3} PUHZ-W85VHA(-BS), PUHZ-W85VHAR1(-BS)

PUHZ-HW112YHA(-BS)
 PUHZ-HW112YHA2(-BS)
 PUHZ-HW112YHA2R1(-BS)
 PUHZ-HW112YHA2R3(-BS)
 PUHZ-HW112YHA2R4(-BS)
 PUHZ-HW112YHA2R5(-BS)
 PUHZ-HW112YHA2R6(-BS)
 PUHZ-HW112YHA2R7(-BS)

PUHZ-HW140VHA(-BS)
 PUHZ-HW140VHA2(-BS)
 PUHZ-HW140VHA2R1(-BS)
 PUHZ-HW140VHA2R2(-BS)
 PUHZ-HW140VHA2R3(-BS)
 PUHZ-HW140VHA2R4(-BS)
 PUHZ-HW140VHA2R5(-BS)
 PUHZ-HW140VHA2R6(-BS)
 PUHZ-HW140VHA2R7(-BS)

PUHZ-HW140YHA(-BS)
 PUHZ-HW140YHA2(-BS)
 PUHZ-HW140YHA2R1(-BS)
 PUHZ-HW140YHA2R3(-BS)
 PUHZ-HW140YHA2R4(-BS)
 PUHZ-HW140YHA2R5(-BS)
 PUHZ-HW140YHA2R6(-BS)
 PUHZ-HW140YHA2R7(-BS)



Symbol	Part name	Detail
COMP	Compressor	DC inverter scroll compressor (Mitsubishi Electric Corporation)
H/P SW	High pressure switch (63H)	For protection (OFF: 4.15MPa)
L/P SW	Low pressure switch (63L)	For protection (OFF: -0.03MPa)
Plate HEX	Plate Heat Exchanger	ACH50-50 (ALFA LAVAL) (*1)/ACH70-52 (ALFA LAVAL) (*2)/MWA2-46LM (MITSUBISHI) (*3)/ACH-70X-52H (ALFA LAVAL) (*4)
REV/V	Reversing (4-way) valve (21S4)	Change the refrigerant circuit (Heating / Cooling) and for Defrosting
STOP VALVE	Stop valve	For refrigerant charge
CHECK/V	Check valve	High pressure / Low pressure / For production test use
P-Sensor	Pressure sensor (63HS)	For calculation of the condensing temperature from high pressure
P/B	Power board	Inverter power board
LEV-A	Linear expansion valve -A	Heating: Secondary LEV Cooling: Primary LEV
LEV-B	Linear expansion valve -B	Heating: Primary LEV Cooling: Secondary LEV
LEV-C	Linear expansion valve -C	For HIC (heating only)
TH33	Suction temperature thermistor	For LEV control
TH32	Inlet water temperature thermistor	For freeze protection and for compressor frequency control
TH3	Liquid temperature thermistor	Heating: Evaporating temperature Cooling: Sub cool liquid temperature
TH4	Discharge temperature thermistor	For LEV control and for compressor protection
TH6	Plate HEX liquid temperature thermistor	Heating: Sub cool liquid temperature Cooling: Evaporating temperature
TH7	Ambient temperature thermistor	For fan control and for compressor frequency control
TH8	Heatsink temperature thermistor	For power board protection
TH34	Comp. surface temperature thermistor	For compressor protection
Power Receiver	Power Receiver	For accumulation of refrigerant
HIC	Heat interchange circuit	For high heating capacity

*1 PUHZ-HW112YHA(-BS), PUHZ-HW140YHA(-BS), PUHZ-HW140VHA(-BS)

*2 PUHZ-HW112YHA2(-BS), PUHZ-HW140YHA2(-BS), PUHZ-HW140VHA2(-BS), PUHZ-HW140VHA2R1(-BS)

*3 PUHZ-HW112YHA2R1(-BS), PUHZ-HW140YHA2R1(-BS), PUHZ-HW140VHA2R1, PUHZ-HW140VHA2R2(-BS), PUHZ-HW112YHA2R3(-BS), PUHZ-HW140YHA2R3(-BS), PUHZ-HW140VHA2R3(-BS), PUHZ-HW112YHA2R4(-BS), PUHZ-HW140YHA2R4(-BS), PUHZ-HW140VHA2R4(-BS), PUHZ-HW112YHA2R5(-BS), PUHZ-HW140YHA2R5(-BS), PUHZ-HW140VHA2R5(-BS), PUHZ-HW112YHA2R6(-BS), PUHZ-HW140YHA2R6(-BS), PUHZ-HW140VHA2R6(-BS)

*4 PUHZ-HW112YHA2R7(-BS), PUHZ-HW140YHA2R7(-BS), PUHZ-HW140VHA2R7(-BS)

9-1. TROUBLESHOOTING

<Check code displayed by self-diagnosis and actions to be taken for service (summary)>

Present and past check codes are logged, and they can be displayed on the control board of outdoor unit. Actions to be taken for service, which depends on whether or not the trouble is reoccurring in the field, are summarized in the table below. Check the contents below before investigating details.

Unit conditions at service	Check code	Actions to be taken for service (summary)
The trouble is reoccurring.	Displayed	Judge what is wrong and take a corrective action according to "9-3. SELF-DIAGNOSIS ACTION TABLE".
	Not displayed	Conduct troubleshooting and ascertain the cause of the trouble.
The trouble is not reoccurring.	Logged	① Consider the temporary defects such as the work of protection devices in the refrigerant circuit including compressor, poor connection of wiring, noise, etc. Re-check the symptom, and check the installation environment, refrigerant amount, weather when the trouble occurred, matters related to wiring, etc. ② Reset check code logs and restart the unit after finishing service. ① There is no abnormality in electrical component, controller board, etc.
	Not logged	① Re-check the abnormal symptom. ② Conduct troubleshooting and ascertain the cause of the trouble. ③ Continue to operate unit for the time being if the cause is not ascertained. ④ There is no abnormality concerning of parts such as electrical component, controller board, etc.

9-2. CHECK POINT UNDER TEST RUN

Before test run

- After installation of outdoor units, piping work and electric wiring work, re-check that there is no water leakage, loosened connections and incorrect polarity.
- Measure impedance between the ground and the power supply terminal block (L, N) on the outdoor unit by 500 V Megger and check that it is 1.0 MΩ or over.
- Turn on power supply 12 hours before test run in order to protect compressor.
- Make sure to read operation manual before test run. (Especially items to secure safety.)

9-3. SELF-DIAGNOSIS ACTION TABLE

<Abnormalities detected when the power is turned on>

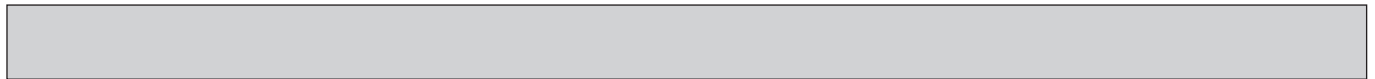
Check Code	Abnormal point and detection method	Cause	Judgment and action
None	—	<p>① No voltage is supplied to terminal block (TB1) of outdoor unit. a) Power supply breaker is turned off. b) Contact failure or disconnection of power supply terminal c) Open phase (L or N phase)</p> <p>② Electric power is not charged to power supply terminal of outdoor power circuit board. a) Contact failure of power supply terminal b) Open phase on the outdoor power circuit board W50: Disconnection of connector R or S W85: Disconnection of connector TABT or TABS HW140V: Disconnection of connector LI, NI</p> <p>③ Electric power is not supplied to outdoor controller circuit board. a) Disconnection of connector (CNDC) b) Disconnection of connector (CN52C)</p> <p>④ Disconnection of reactor (DCL or ACL)</p> <p>⑤ Disconnection of outdoor noise filter circuit board or parts failure in outdoor noise filter circuit board</p> <p>⑥ Defective outdoor power circuit board</p> <p>⑦ Defective outdoor controller circuit board</p>	<p>① Check following items. a) Power supply breaker b) Connection of power supply terminal block (TB1) c) Connection of power supply terminal block (TB1)</p> <p>② Check following items. a) Connection of power supply terminal block (TB1) b) Connection of terminal on outdoor power circuit board W50: Check connection of the connector R or S. Refer to "9-6. TEST POINT DIAGRAM". W85: Check connection of the connector TABT or TABS. Refer to "9-6. TEST POINT DIAGRAM". HW140V: Check connection of the connector LI or NI. Refer to "9-6. TEST POINT DIAGRAM".</p> <p>③ Check connection of the connector (CNDC) on the outdoor controller circuit board. Check connection of the connector, LD1 and LD2 for W50 and CNDC for W85/HW112/HW140, on the outdoor power circuit board (V)/noise filter (Y). Check connection of the connector (CN52C) on the noise filter circuit board for W50/W85, or the outdoor power circuit board for HW140V. Refer to "9-6. TEST POINT DIAGRAM".</p> <p>④ Check connection of reactor. (DCL or ACL) W50: Check connection of "LO" and "NO" on the outdoor noise filter circuit board. Check connection of "R" and "S" on the outdoor power circuit board. W85: Check connection of "L1" and "L2" on the active filter module. (ACTM) Refer to "9-6. TEST POINT DIAGRAM". HW140V: Check connection of "DCL1" and "DCL2" on the outdoor power circuit board.</p> <p>⑤ a) Check connection of outdoor noise filter circuit board. Refer to "9-6. TEST POINT DIAGRAM". b) Replace outdoor noise filter circuit board. Refer to "9-6. TEST POINT DIAGRAM".</p> <p>⑥ Replace outdoor power circuit board.</p> <p>⑦ Replace outdoor controller circuit board (When items above are checked but the units cannot be repaired.)</p>
F3	<p>63L connector open Abnormal if 63L connector circuit is open for 3 minutes continuously from being switched on. 63L: Low pressure switch</p>	<p>① Disconnection or contact failure of 63L connector on outdoor controller circuit board</p> <p>② Disconnection or contact failure of 63L</p> <p>③ 63L is working due to refrigerant leakage or defective parts.</p> <p>④ Defective outdoor controller circuit board</p>	<p>① Check connection of 63L connector on outdoor controller circuit board. Refer to "9-6. TEST POINT DIAGRAM".</p> <p>② Check the 63L side of connecting wire.</p> <p>③ Check refrigerant pressure. Charge additional refrigerant. Check continuity of 63L. Replace low pressure switch if it is defective.</p> <p>④ Replace outdoor controller circuit board.</p>

Check Code	Abnormal point and detection method	Cause	Judgment and action
F5	63H connector open Abnormal if 63H connector circuit is open for 3 minutes continuously from being switched on. 63H: High pressure switch	<ul style="list-style-type: none"> ① Disconnection or contact failure of 63H connector on outdoor controller circuit board ② Disconnection or contact failure of 63H ③ 63H is working due to defective parts. ④ Defective outdoor controller circuit board 	<ul style="list-style-type: none"> ① Check connection of 63H connector on outdoor controller circuit board. Refer to "9-6. TEST POINT DIAGRAM". ② Check the 63H side of connecting wire. ③ Check for continuity of 63H. Replace high pressure switch if it is defective. ④ Replace outdoor controller circuit board.
F9	2 connector open Abnormal if both 63H and 63L connector circuits are open for 3 minutes continuously from being switched on. 63H: High pressure switch 63L: Low pressure switch	<ul style="list-style-type: none"> ① Disconnection or contact failure of connector (63H,63L) on outdoor controller circuit board ② Disconnection or contact failure of 63H, 63L ③ 63H and 63L are working due to defective parts. ④ Defective outdoor controller board 	<ul style="list-style-type: none"> ① Check connection of connector (63H,63L) on outdoor controller circuit board. Refer to "9-6. TEST POINT DIAGRAM". ② Check the 63H and 63L side of connecting wire. ③ Check continuity of 63H and 63L. Replace the pressure switch if it is defective. ④ Replace outdoor controller circuit board.
EA	Miswiring of Interface unit/Flow temp. controller-outdoor unit connecting wire 1. Outdoor controller circuit board can automatically check the number of connected Interface unit/Flow temp. controller. Abnormal if the number cannot be checked automatically due to miswiring of Interface unit/Flow temp. controller-outdoor unit connecting wire and etc. after power is turned on for 4 minutes. 2. Abnormal if outdoor controller circuit board recognizes excessive number of Interface unit/Flow temp. controller.	<ul style="list-style-type: none"> ① Contact failure or miswiring of Interface unit/Flow temp. controller-outdoor unit connecting wire ② Diameter or length of Interface unit/Flow temp. controller-outdoor unit connecting wire is out of specified capacity. ③ Excessive number of Interface unit/Flow temp. controller is connected to 1 outdoor unit. (2 units or more) ④ Defective transmitting receiving circuit of outdoor controller circuit board ⑤ Defective transmitting receiving circuit of Interface/Flow temp. controller board ⑥ Noise has entered into power supply or Interface/Flow temp. controller-outdoor unit connecting wire. 	<ul style="list-style-type: none"> ① Check disconnection, looseness or polarity of Interface unit/Flow temp. controller-outdoor unit connecting wire of Interface unit/Flow temp. controller and outdoor units. ② Check diameter and length of Interface unit/Flow temp. controller-outdoor unit connecting wire. Total wiring length: 80 m (Including wiring connecting each Interface unit/Flow temp. controller unit and between Interface unit/Flow temp. controller and outdoor unit) Also check if the connection order of flat cable is S1, S2, S3. ③ Check the number of Interface unit/Flow temp. controller that is connected to 1 outdoor unit. (If EA is detected.) ④-⑤ Turn the power off once, and on again to check. Replace outdoor controller circuit board or Interface/Flow temp. controller board if abnormality occurs again. ⑥ Check transmission path, and remove the cause.
Eb	Miswiring of Interface unit/Flow temp. controller-outdoor unit connecting wire (reverse wiring or disconnection) Outdoor controller circuit board can automatically set the unit number of Interface unit/Flow temp. controller. Abnormal if the Interface unit/Flow temp. controller number cannot be set within 4 minutes after power on because of miswiring (reverse wiring or disconnection) of Interface unit/Flow temp. controller-outdoor unit connecting wire.	<ul style="list-style-type: none"> ① Contact failure or miswiring of Interface unit/Flow temp. controller-outdoor unit connecting wire ② Diameter or length of Interface unit/Flow temp. controller-outdoor unit connecting wire is out of specified capacity. ④ Defective transmitting receiving circuit of outdoor controller circuit board ⑤ Defective transmitting receiving circuit of Interface/Flow temp. controller board ⑥ Noise has entered into power supply or Interface unit/Flow temp. controller-outdoor unit connecting wire. 	<ul style="list-style-type: none"> ⑥ Check transmission path, and remove the cause. <p>Note: The descriptions above, ①-⑥, are for EA, Eb and EC.</p>
EC	Startup time over The unit cannot finish startup process within 4 minutes after power on.	<ul style="list-style-type: none"> ① Contact failure of Interface unit /Flow temp. controller-outdoor unit connecting wire ② Diameter or length of Interface unit/Flow temp. controller-outdoor unit connecting wire is out of specified capacity. ⑥ Noise has entered into power supply or Interface unit/Flow temp. controller-outdoor unit connecting wire. 	

<Abnormalities detected while unit is operating>

Check Code	Abnormal point and detection method	Cause	Judgment and action
U1	<p>High pressure (High pressure switch 63H operated) Abnormal if high pressure switch 63H operated (*) during compressor operation. *4.15 MPa</p> <p>63H: High pressure switch</p>	<p>① Decreased water flow ② Clogged filter of water pipe ③ Dirt of plate heat exchanger ④ Locked water pump ⑤ Malfunction of water pump ⑥ Clogged or broken pipe ⑦ Locked outdoor fan motor ⑧ Malfunction of outdoor fan motor ⑨ Short cycle of outdoor unit ⑩ Dirt of outdoor heat exchanger ⑪ Decreased airflow caused by defective inspection of outside temperature thermistor (It detects lower temperature than actual temperature.) ⑫ Disconnection or contact failure of connector (63H) on outdoor controller board ⑬ Disconnection or contact failure of 63H connection ⑭ Defective outdoor controller board ⑮ Defective operation of linear expansion valve ⑯ Malfunction of fan driving circuit</p>	<p>①-⑤ Check water circuit and repair the defect. ⑥ Check piping and repair the defect. ⑦-⑩ Check outdoor unit and repair the defect. ⑪ Check the detected temperature of outside temperature thermistor on LED display. (SW2: Refer to "9-7. OUTDOOR UNIT OPERATION MONITOR FUNCTION".) ⑫-⑭ Turn the power off and check F5 is displayed when the power is turned on again. When F5 is displayed, refer to "Judgment and action" for F5. ⑮ Check linear expansion valve. Refer to "9-5. HOW TO CHECK THE COMPONENTS". ⑯ Replace outdoor controller board.</p>
U2	<p>High discharge temperature Abnormal if discharge temperature thermistor (TH4) exceeds 125°C or 110°C continuously for 5 minutes. Abnormal if during defrosting discharge temperature thermistor (TH4) exceeds 110°C continuously for 30 minutes.</p> <p>High comp. surface temperature (W50VHA(R1-R3), W85VHAR1, HW112YHA2R3-R7, HW140VHA2R3-R7, HW140YHA2R3-R7) Abnormal if comp. surface temperature (TH33/H34) exceeds 125°C. In the case of high comp. surface temperature error, compressor does not restart unless the thermistor (TH33/TH34) becomes less than 95°C.</p>	<p>① Overheated compressor operation caused by insufficient refrigerant ② Defective thermistor ③ Defective outdoor controller board ④ Defective operation of linear expansion valve ⑤ In the case of the unit does not restart: Detection temp. of thermistor (TH33) $\geq 95^{\circ}\text{C}$</p>	<p>① Check intake super heat. Check leakage of refrigerant. Charge additional refrigerant. ②③ Turn the power off and check if U3 is displayed when the power is turned ON again. When U3 is displayed, refer to "Judgment and action" for U3. ④ Check linear expansion valve. Refer to "9-5. HOW TO CHECK THE COMPONENTS".</p>
U3	<p>Open/short circuit of discharge temperature thermistor (TH4)/comp. surface thermistor (TH33/W50VHA(R1-R3), W85VHAR1), (TH34/HW112YHA2R3-R7, HW140VHA2R3-R7, HW140YHA2R3-R7) Abnormal if open (3°C or less) or short (217°C or more) is detected during compressor operation. (Open (3°C or less) detection is inoperative for 10 minutes of compressor starting process and for 10 minutes after or during defrosting.)</p>	<p>① Disconnection or contact failure of connector (TH4/TH33/TH34) on the outdoor controller circuit board ② Defective thermistor ③ Defective outdoor controller circuit board</p>	<p>① Check connection of connector (TH4/TH32) on the outdoor controller circuit board. Check the lead wire for thermistor (TH4/TH32). Refer to "9-6. TEST POINT DIAGRAM". ② Check resistance value of thermistor (TH4/TH32) or temperature on LED display. (Thermistor/TH4/TH32: Refer to "9-5. HOW TO CHECK THE COMPONENTS".) (SW2: Refer to "9-7. OUTDOOR UNIT OPERATION MONITOR FUNCTION".) ③ Replace outdoor controller board.</p>

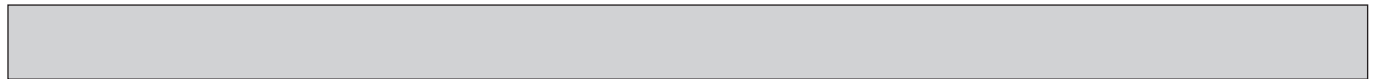
Check Code	Abnormal point and detection method	Cause	Judgment and action																																		
U4	<p>Open/short of outdoor unit thermistors (TH3, TH32, TH33, TH6, TH7, and TH8) Abnormal if open or short is detected during compressor operation. Open detection of thermistors TH3, TH32 and TH6 is not detected for 10 seconds to 10 minutes after compressor starting and 10 minutes after and during defrosting. Note: Check which unit has abnormality in its thermistor by switching the mode of SW2. (PAC-SK52ST) (Refer to "9-7. OUTDOOR UNIT OPERATION MONITOR FUNCTION".) Note: HW112, 140YHA/YHA2(R1-R4), HW140VHA/VHA2(R1-R7) Heat sink thermistor (TH8) is in the power module.</p>	<p>① Disconnection or contact failure of connectors (Outdoor controller circuit board: TH3, TH32, TH33, TH6/TH7 Outdoor power circuit board: CN3)</p> <p>② Defective thermistor</p> <p>③ Defective outdoor controller circuit board</p>	<p>① Check connection of connector (TH3, TH32, TH33, TH6/TH7) on the outdoor controller circuit board. Check connection of connector (CN3) on the outdoor power circuit board. Check the lead wire for thermistor (TH3, TH32, TH33, TH6, TH7, TH8). Refer to "9-6. TEST POINT DIAGRAM".</p> <p>② Check resistance value of thermistor (TH3, TH32, TH33, TH6, TH7, TH8) or check temperature on LED display. (Thermistor/TH3, TH32, TH33, TH6, TH7, TH8: Refer to "9-5. HOW TO CHECK THE COMPONENTS".) (SW2: Refer to "9-7. OUTDOOR UNIT OPERATION MONITOR FUNCTION".)</p> <p>③ Replace outdoor controller circuit board.</p>																																		
	<table border="1"> <thead> <tr> <th colspan="2">Thermistors</th> <th rowspan="2">Open detection</th> <th rowspan="2">Short detection</th> </tr> <tr> <th>Symbol</th> <th>Name</th> </tr> </thead> <tbody> <tr> <td>TH3</td> <td>Thermistor <Liquid></td> <td>-40°C or below</td> <td>90°C or above</td> </tr> <tr> <td>TH32</td> <td>Thermistor <Inlet water></td> <td>-40°C or below</td> <td>102°C or above</td> </tr> <tr> <td>TH33</td> <td>Thermistor <Suction> HW112, 140</td> <td>-40°C or below</td> <td>90°C or above</td> </tr> <tr> <td>TH6</td> <td>Thermistor <Plate HEX liquid></td> <td>-40°C or below</td> <td>90°C or above</td> </tr> <tr> <td>TH7</td> <td>Thermistor <Ambient></td> <td>-40°C or below</td> <td>90°C or above</td> </tr> <tr> <td>TH8</td> <td>Thermistor <Heat sink> W50, 85/HW112, 140YHAR5/R6/R7</td> <td>-35°C or below</td> <td>102°C or above</td> </tr> <tr> <td>TH8</td> <td>Internal thermistor HW140VHA/VHA2(R1-R7), HW112, 140YHA/YHA2(R1-R4)</td> <td>-35°C or below</td> <td>170°C or above</td> </tr> </tbody> </table>				Thermistors		Open detection	Short detection	Symbol	Name	TH3	Thermistor <Liquid>	-40°C or below	90°C or above	TH32	Thermistor <Inlet water>	-40°C or below	102°C or above	TH33	Thermistor <Suction> HW112, 140	-40°C or below	90°C or above	TH6	Thermistor <Plate HEX liquid>	-40°C or below	90°C or above	TH7	Thermistor <Ambient>	-40°C or below	90°C or above	TH8	Thermistor <Heat sink> W50, 85/HW112, 140YHAR5/R6/R7	-35°C or below	102°C or above	TH8	Internal thermistor HW140VHA/VHA2(R1-R7), HW112, 140YHA/YHA2(R1-R4)	-35°C or below
Thermistors		Open detection	Short detection																																		
Symbol	Name																																				
TH3	Thermistor <Liquid>	-40°C or below	90°C or above																																		
TH32	Thermistor <Inlet water>	-40°C or below	102°C or above																																		
TH33	Thermistor <Suction> HW112, 140	-40°C or below	90°C or above																																		
TH6	Thermistor <Plate HEX liquid>	-40°C or below	90°C or above																																		
TH7	Thermistor <Ambient>	-40°C or below	90°C or above																																		
TH8	Thermistor <Heat sink> W50, 85/HW112, 140YHAR5/R6/R7	-35°C or below	102°C or above																																		
TH8	Internal thermistor HW140VHA/VHA2(R1-R7), HW112, 140YHA/YHA2(R1-R4)	-35°C or below	170°C or above																																		
U5	<p>Temperature of heat sink Abnormal if heat sink thermistor (TH8) detects temperature indicated below. W50V..... 77°C W85V..... 77°C HW140VHA 84°C HW112YHA..... 95°C HW140YHA 95°C HW140VHA2(R1-R7)..... 89°C HW112YHA2(R1-R4)..... 95°C HW140YHA2(R1-R4)..... 95°C HW112YHA2R5/R7..... 91°C HW140YHA2R5/R7 91°C</p>	<p>① The outdoor fan motor is locked. ② Failure of outdoor fan motor ③ Airflow path is clogged. ④ Ambient temperature is high.</p> <p>⑤ Defective thermistor</p> <p>⑥ Defective input circuit of outdoor power circuit board ⑦ Failure of outdoor fan drive circuit</p>	<p>①② Check outdoor fan.</p> <p>③ Check airflow path for cooling. ④ Check if there is something which causes temperature rise around outdoor unit. (Upper limit of ambient temperature is 46°C.) Turn off power, and on again to check if U5 is displayed within 30 minutes. If U4 is displayed instead of U5, refer to check code U4. ⑤ Check resistance value of thermistor (TH8) or temperature by microprocessor. (Thermistor/TH8: Refer to "9-5. HOW TO CHECK THE COMPONENTS".) (SW2: Refer to "9-7. OUTDOOR UNIT OPERATION MONITOR FUNCTION".) ⑥ Replace outdoor power circuit board. ⑦ Replace outdoor controller circuit board.</p>																																		
U6	<p>Power module Check abnormality by driving power module in case overcurrent is detected. (UF or UP error condition)</p>	<p>① Defective outdoor power circuit board ② Decrease of power supply voltage ③ Looseness, disconnection or reverse of compressor wiring connection ④ Defective compressor</p>	<p>① Replace outdoor power circuit board. ② Check facility of power supply. ③ Correct the wiring (U·V·W phase) to compressor. Refer to "9-6. TEST POINT DIAGRAM" (Outdoor power circuit board). ④ Check compressor referring to "9-4. HOW TO CHECK THE PARTS".</p>																																		
U7	<p>Too low superheat due to low discharge temperature Abnormal if discharge superheat is continuously detected -15°C or less for 3 minutes even though linear expansion valve has minimum open pulse after compressor starts operating for 10 minutes.</p>	<p>① Disconnection or loose connection of discharge temperature thermistor (TH4) ② Defective holder of discharge temperature thermistor ③ Disconnection or loose connection of linear expansion valve's coil ④ Disconnection or loose connection of linear expansion valve's connector ⑤ Defective linear expansion valve</p>	<p>①② Check the installation conditions of discharge temperature thermistor (TH4).</p> <p>③ Check the coil of linear expansion valve. Refer to "9-5. HOW TO CHECK THE COMPONENTS". ④ Check the connection or contact of LEV-A and LEV-B on outdoor controller circuit board. ⑤ Check linear expansion valve. Refer to "9-4. HOW TO CHECK THE PARTS".</p>																																		
U8	<p>Outdoor fan motor Abnormal if rotational frequency of the fan motor is not detected during DC fan motor operation. Fan motor rotational frequency is abnormal if; • 100 rpm or below detected continuously for 15 seconds at 20°C or more outside air temperature • 50 rpm or below or 1500 rpm or more detected continuously for 1 minute.</p>	<p>① Failure in the operation of the DC fan motor ② Failure in the outdoor circuit controller board</p>	<p>① Check or replace the DC fan motor.</p> <p>② Check the voltage of the outdoor circuit controller board during operation. ③ Replace the outdoor circuit controller board. (When the failure is still indicated even after performing the remedy ① above.)</p>																																		



Check Code	Abnormal point and detection method	Cause	Judgment and action	
U9	Detailed codes	To find out the details about U9 error, turn ON SW2-1, 2-2, 2-3, 2-4, 2-5 and 2-6 when U9 error occurs. To find out the detail history (latest) about U9 error, turn ON SW2-1, 2-2 and 2-6. Refer to "9-7. OUTDOOR UNIT OPERATION MONITOR FUNCTION".		
	01	Overvoltage error • Increase in DC bus voltage to W50-85V/HW140V: 400 V HW112, 140Y: 760 V	① Abnormal increase in power source voltage ② Disconnection of compressor wiring ③ Defective outdoor power circuit board ④ Defective ACT module (W85V) ⑤ Compressor has a ground fault.	① Check the field facility for the power supply. ② Correct the wiring (U·V·W phase) to compressor. Refer to "9-8. FUNCTION OF SWITCHES". (Outdoor power circuit board). ③ Replace outdoor power circuit board. ④ Replace ACT module. ⑤ Check compressor for electrical insulation. Replace compressor.
	02	Undervoltage error • Instantaneous decrease in DC bus voltage to W50-85V/HW140V: 200 V HW112, 140Y: 350 V	① Decrease in power source voltage, instantaneous stop. ② Disconnection or loose connection of CN52C on the outdoor power circuit board/controller circuit board (HW140V) ③ Disconnection or loose connection of CN52C on the outdoor noise filter circuit board/controller circuit board (W50-85V) ④ Defective converter drive circuit in outdoor power circuit board ((H)W50-140V) ⑤ Defective 52C drive circuit in outdoor power circuit board (HW140V/HW112-140Y) ⑥ Defective 52C drive circuit in outdoor noise filter circuit board (W50-85V) ⑦ Defective outdoor converter circuit board (HW112-140Y) ⑧ Disconnection or loose connection of rush current protect resistor RS (HW112-140Y) ⑨ Defective rush current protect resistor RS (HW112-140Y) ⑩ Disconnection or loose connection of main smoothing capacitor CB (HW140VHA/VHA2(R1-R4))/CB1, CB2 (HW112-140YHA/YHA2(R1-R4)) ⑪ Disconnection or loose connection of CN2 on the outdoor power circuit board/controller circuit board (W85V/HW140V) ⑫ Power circuit failure on DC supply for 18 V DC output on outdoor controller circuit board (W85/HW140V)	① Check the field facility for the power supply. ②③ Check CN52C wiring. ④ Replace outdoor power circuit board. ⑤ Replace outdoor power circuit board. ⑥ Replace outdoor noise filter circuit board. ⑦ Replace outdoor converter circuit board. ⑧ Check RS wiring. ⑨ Replace RS. ⑩ Check CB wiring/CB1, CB2 wiring. ⑪ Check CN2 wiring. ⑫ Replace outdoor controller circuit board.
	04	Input current sensor error/ L1-phase open error • Decrease in input current through outdoor unit to 0.1A only if operation frequency is more than or equal to 40Hz or compressor current is more than or equal to 6A.	① L1-phase open (HW112-140Y) ② Disconnection or loose connection between TB1 and outdoor noise filter circuit board (HW112-140Y) ③ Disconnection or loose connection of CN5 on the outdoor power circuit board/CNCT or CN5 on the outdoor noise filter circuit board (W50-85V/HW112-140Y) ④ Defective ACCT (AC current trans) on the outdoor noise filter circuit board (W50-85V/HW112-140Y) ⑤ Defective input current detection circuit in outdoor power circuit board ⑥ Defective outdoor controller circuit board	① Check the field facility for the power supply. ② Check the wiring between TB1 and outdoor noise filter circuit board. ③ Check CN5/CNCT wiring. ④ Replace outdoor noise filter circuit board. ⑤ Replace outdoor power circuit board. ⑥ Replace outdoor controller circuit board.



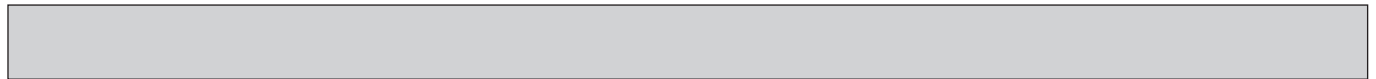
Check Code	Abnormal point and detection method	Cause	Judgment and action
U9	Detailed codes Abnormal power synchronous signal <ul style="list-style-type: none"> No input of power synchronous signal to power circuit board Power synchronous signal of 44 Hz or less, or 65 Hz or more is detected on power circuit board. 	① Distortion of power source voltage, noise superimposition ② Disconnection or loose connection of earth wiring ③ Disconnection or loose connection of CN2 on the outdoor power circuit board/controller circuit board ④ Defective power synchronous signal circuit in outdoor controller circuit board ⑤ Defective power synchronous signal circuit in outdoor power circuit board	① Check the field facility for the power supply. ② Check earth wiring. ③ Check CN2 wiring. ④ Replace outdoor controller circuit board. ⑤ Replace outdoor power circuit board.
	08 PFC error (Overvoltage/Undervoltage/Overcurrent) <ul style="list-style-type: none"> PFC detected any of the following: a) Increase of DC bus voltage to 420 V. b) Decrease in PFC control voltage to 12 V DC or lower c) Increase in input current to 50A peak (W50V only) 	① Abnormal increase in power source voltage ② Decrease in power source voltage, instantaneous stop ③ Disconnection of compressor wiring ④ Misconnection of reactor (ACL) ⑤ Defective outdoor power circuit board ⑥ Defective reactor (ACL) ⑦ Disconnection or loose connection of CN2 on the outdoor power circuit board/controller circuit board	①② Check the field facility for the power supply. ③ Correct the wiring (U·V·W phase) to compressor. ④ Correct the wiring of reactor (ACL). ⑤ Replace outdoor power circuit board. ⑥ Replace reactor (ACL). ⑦ Check CN2 wiring.
	20 PFC/IGBT error (Undervoltage) <ul style="list-style-type: none"> When Compressor is running, DC bus voltage stays at 310 V or lower for consecutive 10 seconds (W50-85V/HW140V only) 	① Incorrect switch settings on the outdoor controller circuit board for model select ② Disconnection or loose connection of CNAF on the outdoor power circuit board/ACT module (W85V) ③ Defective ACT module (W85V) ④ Disconnection or loose connection of CN2 on the outdoor power circuit board/controller circuit board ⑤ Defective outdoor power circuit board ⑥ Defective outdoor controller circuit board	① Correction of a model select ② Check CNAF wiring. ③ Replace ACT module. ④ Check CN2 wiring. ⑤ Replace outdoor power circuit board. ⑥ Replace outdoor controller circuit board.
Ud	Overheat protection Abnormal if outdoor pipe thermistor (TH3) detects 70°C or more or condensing temperature of pressure sensor (63HS) detects 70°C or more during compressor operation.	① Defective outdoor fan (fan motor) or short cycle of outdoor unit during cooling operation ② Defective outdoor pipe thermistor (TH3) ③ Defective outdoor controller board ④ Defective pressure sensor	① Check outdoor unit air passage. ②③ Turn the power off and on again to check the check code. If U4 is displayed, follow the U4 processing direction. ④ Check pressure by microprocessor. (Pressure sensor/ 63HS) (SW2: Refer to "9-7. OUTDOOR UNIT OPERATION MONITOR FUNCTION".)
UF	Compressor overcurrent interruption (When compressor locked) Abnormal if overcurrent of DC bus or compressor is detected within 30 seconds after compressor starts operating.	① Decrease of power supply voltage ② Looseness, disconnection or reverse of compressor wiring connection ③ Defective compressor ④ Defective outdoor power board ⑤ Decreased water flow ⑥ Clogged filter of water pipe ⑦ Clogged plate heat exchanger ⑧ Locked water pump ⑨ Malfunction of water pump	① Check facility of power supply. ② Correct the wiring (U·V·W phase) to compressor. Refer to "9-6. TEST POINT DIAGRAM" (Outdoor power circuit board). ③ Check compressor. Refer to "9-4. HOW TO CHECK THE PARTS" ④ Replace outdoor power circuit board. ⑤-⑨ Check water circuit and repair the defect.



Check Code	Abnormal point and detection method	Cause	Judgment and action
UH	Current sensor error or input current error ·Abnormal if current sensor detects -1.0 A to 1.0 A during compressor operation. (This error is ignored during test run.) ·Abnormal if 40 A of input current is detected or 37 A or more of input current is detected for 10 seconds continuously. (HW140V only)	<ul style="list-style-type: none"> ① Disconnection of compressor wiring ② Defective circuit of current sensor on outdoor power circuit board ③ Decrease of power supply voltage ④ Leakage or shortage of refrigerant 	<ul style="list-style-type: none"> ① Correct the wiring (U·V·W phase) to compressor. Refer to "9-6. TEST POINT DIAGRAM" (Outdoor power circuit board). ② Replace outdoor power circuit board. ③ Check the facility of power supply. ④ Check leakage of refrigerant.
UL	Low pressure (63L operated) Abnormal if 63L is operated (under -0.03 MPa) during compressor operation. 63L: Low pressure switch	<ul style="list-style-type: none"> ① Stop valve of outdoor unit is closed during operation. ② Disconnection or loose connection of connector (63L) on outdoor controller board ③ Disconnection or loose connection of 63L ④ Defective outdoor controller board ⑤ Leakage or shortage of refrigerant ⑥ Malfunction of linear expansion valve 	<ul style="list-style-type: none"> ① Check stop valve. ②-④ Turn the power off and on again to check if F3 is displayed on restarting. If F3 is displayed, follow the F3 processing direction. ⑤ Correct to proper amount of refrigerant. ⑥ Check linear expansion valve. Refer to "9-5. HOW TO CHECK THE COMPONENTS".
UP	Compressor overcurrent interruption Abnormal if overcurrent DC bus or compressor is detected after compressor starts operating for 30 seconds.	<ul style="list-style-type: none"> ① Decrease of power supply voltage ② Looseness, disconnection or reverse of compressor wiring connection ③ Defective fan of outdoor units ④ Short cycle of indoor/outdoor units ⑤ Defective input circuit of outdoor controller board ⑥ Defective compressor ⑦ Decreased water flow ⑧ Clogged filter of water pipe ⑨ Clogged plate heat exchanger ⑩ Locked water pump ⑪ Malfunction of water pump 	<ul style="list-style-type: none"> ① Check facility of power supply. ② Correct the wiring (U·V·W phase) to compressor. Refer to "9-6. TEST POINT DIAGRAM" (Outdoor power circuit board). ③ Check outdoor fan. ④ Solve short cycle. ⑤ Replace outdoor controller circuit board. ⑥ Check compressor. Refer to "9-4. HOW TO CHECK THE PARTS". <p>Note: Before the replacement of the outdoor controller circuit board, disconnect the wiring to compressor from the outdoor power circuit board and check the output voltage among phases, U, V, W, during test run. No defect on board if voltage among phases (U-V, V-W and W-U) is same. Make sure to perform the voltage check with same performing frequency.</p> <ul style="list-style-type: none"> ⑦-⑪ Check water circuit and repair the defect.
E0 or E4	Remote controller transmission error (E0)/signal receiving error (E4) ① Abnormal if main or sub remote controller cannot receive any transmission normally from Interface unit/Flow temp. controller of refrigerant address "0" for 3 minutes. (Check code: E0) ② Abnormal if sub-remote controller could not receive any signal for 2 minutes. (Check code: E0) ① Abnormal if Interface/Flow temp. controller board cannot receive any data normally from remote controller board or from other Interface/Flow temp. controller board for 3 minutes. (Check code: E4) ② Interface/Flow temp. controller board cannot receive any signal from remote controller for 2 minutes. (Check code: E4)	<ul style="list-style-type: none"> ① Contact failure at transmission wire of remote controller ② All remote controllers are set as "sub" remote controller. In this case, E0 is displayed on remote controller, and E4 is displayed at LED (LED1, LED2) on the outdoor controller circuit board. ③ Miswiring of remote controller ④ Defective transmitting receiving circuit of remote controller ⑤ Noise has entered into the transmission wire of remote controller. 	<ul style="list-style-type: none"> ① Check disconnection or looseness of Interface unit/Flow temp. controller unit or transmission wire of remote controller. ② Set one of the remote controllers "main" if there is no problem with the action above. ③ Check wiring of remote controller. <ul style="list-style-type: none"> • Total wiring length: max. 500 m (Do not use cable × 3 or more.) • The number of connecting remote controller (Refer to the indoor unit's Installation Manual.) <p>If the cause of trouble is not in ①-③ above,</p> <ul style="list-style-type: none"> ④ Diagnose remote controllers. <ul style="list-style-type: none"> a) When "RC OK" is displayed, remote controllers have no problem. Turn the power off, and on again to check. If abnormality occurs again, replace Interface/Flow temp. controller board. b) When "RC NG" is displayed, replace remote controller. c) When "RC E3" or "ERC 00-66" is displayed, noise may be causing abnormality.
E1 or E2	Remote controller control board ① Abnormal if data cannot be read normally from the nonvolatile memory of the remote controller control board. (Check code: E1) ② Abnormal if the clock function of remote controller cannot be operated normally. (Check code: E2)	<ul style="list-style-type: none"> ① Defective remote controller 	<ul style="list-style-type: none"> ① Replace remote controller.



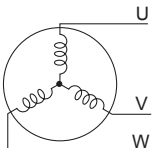
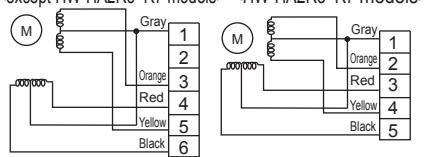
Check Code	Abnormal point and detection method	Cause	Judgment and action
E3 or E5	<p>Remote controller transmission error (E3)/signal receiving error (E5)</p> <p>① Abnormal if remote controller could not find blank of transmission path for 6 seconds and could not transmit. (Check code: E3)</p> <p>② When remote controller receives the transmitted data same time and compares these data. Abnormal if the data is judged to be different for 30 continuous times. (Check code: E3)</p> <p>① Abnormal if Interface/Flow temp. controller board could not find blank of transmission path. (Check code: E5)</p> <p>② When Interface/Flow temp. controller receives the transmitted data same time and compares these data. Abnormal if the data is judged to be different for 30 continuous times. (Check code: E5)</p>	<p>① Refer to the indoor unit's Installation Manual for remote controller connection.</p> <p>② Defective transmitting receiving circuit of remote controller</p> <p>③ Defective transmitting receiving circuit of Interface/Flow temp. controller board</p> <p>④ Noise has entered into transmission wire of remote controller.</p>	<p>① Refer to the indoor unit's Installation Manual for remote controller connection.</p> <p>②–④ Diagnose remote controller.</p> <p>a) When "RC OK" is displayed, remote controllers have no problem. Turn the power off, and on again to check. When becoming abnormal again, replace indoor controller board.</p> <p>b) When "RC NG" is displayed, replace remote controller.</p> <p>c) When "RC E3" or "ERC 00–66" is displayed, noise may be causing abnormality.</p>
E6	<p>Interface unit/Flow temp. controller-outdoor unit communication error (Signal receiving error)</p> <p>① Abnormal if Interface/Flow temp. controller board cannot receive any signal normally for 6 minutes after turning the power on.</p> <p>② Abnormal if Interface/Flow temp. controller board cannot receive any signal normally for 3 minutes.</p>	<p>① Contact failure, short circuit or, miswiring (reverse wiring) of Interface unit/Flow temp. controller-outdoor unit connecting wire</p> <p>② Defective transmitting receiving circuit of Interface/Flow temp. controller board</p> <p>③ Defective transmitting receiving circuit of Interface/Flow temp. controller board</p> <p>④ Noise has entered into Interface unit/Flow temp. controller-outdoor unit connecting wire.</p>	<p>Note: Check LED display on the outdoor controller circuit board. (Connect A-control service tool, PAC-SK52ST.)</p> <p>① Check disconnection or looseness of Interface unit/Flow temp. controller-outdoor unit connecting wire of Interface unit/Flow temp. controller or outdoor unit.</p> <p>②–④ Turn the power off, and on again to check. If abnormality occurs again, replace Interface/Flow temp. controller board or outdoor controller circuit board.</p>
E8	<p>Interface unit/Flow temp. controller-outdoor unit communication error (Signal receiving error) (Outdoor unit)</p> <p>(1) Abnormal if outdoor controller circuit board could not receive anything normally for 3 minutes.</p>	<p>① Contact failure of Interface unit/Flow temp. controller-outdoor unit connecting wire</p> <p>② Defective communication circuit of outdoor controller circuit board</p> <p>③ Defective communication circuit of Interface/Flow temp. controller board</p> <p>④ Noise has entered into Interface unit/Flow temp. controller-outdoor unit connecting wire.</p>	<p>① Check disconnection or looseness of Interface unit/Flow temp. controller-outdoor unit connecting wire of Interface unit/Flow temp. controller or outdoor unit.</p> <p>②–④ Turn the power off, and on again to check. Replace Interface/Flow temp. controller board or outdoor controller circuit board if abnormality is displayed again.</p>
E9	<p>Interface unit/Flow temp. controller-outdoor unit communication error (Transmitting error) (Outdoor unit)</p> <p>(1) Abnormal if "0" receiving is detected 30 times continuously though outdoor controller circuit board has transmitted "1".</p> <p>(2) Abnormal if outdoor controller circuit board could not find blank of transmission path for 3 minutes.</p>	<p>① Interface unit/Flow temp. controller-outdoor unit connecting wire has contact failure.</p> <p>② Defective communication circuit of outdoor controller circuit board</p> <p>③ Noise has entered power supply.</p> <p>④ Noise has entered Interface unit/Flow temp. controller-outdoor unit connecting wire.</p>	<p>① Check disconnection or looseness of Interface unit/Flow temp. controller-outdoor unit connecting wire.</p> <p>②–④ Turn the power off, and on again to check. Replace outdoor controller circuit board if abnormality is displayed again.</p>
EF	<p>Non defined check code</p> <p>This code is displayed when non defined check code is received.</p>	<p>① Noise has entered transmission wire of remote controller.</p> <p>② Noise has entered Interface unit/Flow temp. controller-outdoor unit connecting wire.</p>	<p>①② Turn the power off, and on again to check. Replace Interface/Flow temp. controller board or outdoor controller circuit board if abnormality is displayed again.</p>
Ed	<p>Serial communication error</p> <p>Abnormal if serial communication between outdoor controller circuit board and outdoor power circuit board is defective.</p>	<p>① Wire disconnection or contact failure of connector CN2 between the outdoor controller circuit board and the outdoor power circuit board</p> <p>② Wire disconnection or contact failure of connector CN4 between the outdoor controller circuit board and the outdoor power circuit board</p> <p>③ Defective communication circuit of outdoor power circuit board</p> <p>④ Defective communication circuit of outdoor controller circuit board for outdoor power circuit board</p>	<p>①② Check connection of each connector CN2 and CN4 between the outdoor controller circuit board and the outdoor power circuit board.</p> <p>③ Replace outdoor power circuit board.</p> <p>④ Replace outdoor controller circuit board.</p>



Check Code	Abnormal point and detection method	Cause	Judgment and action
P6	<p>Freezing/overheating protection is working</p> <p>(1) Freezing protection <Cooling mode> Abnormal if plate heat exchanger pipe temperature (TH6) stays at -5°C or lower for 10 seconds or abnormal if plate heat exchanger pipe thermistor (TH6) stays at -2°C or lower and compressor operation frequency is minimum for 5 minutes after compressor starts operating for 6 minutes.</p> <p><Heating mode> Abnormal if inlet water temperature thermistor (TH32) is 15°C or lower, and the following condition (1 or 2) are detected.</p> <ol style="list-style-type: none"> 1 minute has passed since defrosting operation started and plate heat exchanger pipe temperature thermistor (TH6) stays at -6°C or lower for continuously 30 seconds. During defrosting operation and plate heat exchanger pipe temperature thermistor (TH6) stays at -16°C or lower for continuously 10 seconds. 	<p>(1) Freezing protection <Cooling mode></p> <ul style="list-style-type: none"> ① Reduced water flow <ul style="list-style-type: none"> · Clogged filter · Leakage of water ② Low temperature <ul style="list-style-type: none"> · Low-load · Inlet water is too cold. ③ Defective water pump ④ Defective outdoor fan control ⑤ Overcharge of refrigerant ⑥ Defective refrigerant circuit (clogs) ⑦ Malfunction of linear expansion valve <p><Heating mode></p> <ul style="list-style-type: none"> ① Reduced water flow <ul style="list-style-type: none"> · Clogged filter · Leakage of water ② Low temperature <ul style="list-style-type: none"> · Low-load · Inlet water is cold. ③ Defective water pump ④ Leakage or shortage of refrigerant ⑤ Malfunction of linear expansion valve 	<p>(1) Freezing protection <Cooling mode></p> <ul style="list-style-type: none"> ①② Check water piping. ③ Check water pump. ④ Check outdoor fan motor. ⑤-⑦ Check operating condition of refrigerant circuit. ⑦ Check linear expansion valve. <p><Heating mode></p> <ul style="list-style-type: none"> ①② Check water piping. ③ Check water pump. ④ Correct to proper amount of refrigerant. ⑤ Check linear expansion valve. Refer to "9-5. HOW TO CHECK THE COMPONENTS".
P8	<p>Pipe temperature</p> <p>Abnormal if the following conditions are detected for continuously 3 minutes after compressor starts operating for 10 minutes.</p> <ol style="list-style-type: none"> 1. Cooling mode $T_{63\text{HS}}-\text{TH7} \leq 2^{\circ}\text{C}$ and $\text{TH3}-\text{TH7} \leq 4^{\circ}\text{C}$ or $T_{63\text{HS}}-\text{TH3} < 0^{\circ}\text{C}$ and $\text{TH32}-\text{TH6} \leq 0^{\circ}\text{C}$ and Compressor operation frequency is 61Hz or more. 2. Heating mode $T_{63\text{HS}}-\text{TH32} \leq 2^{\circ}\text{C}$ and $\text{TH6}-\text{TH32} \leq 1^{\circ}\text{C}$ and $\text{TH7}-\text{TH3} \leq 1^{\circ}\text{C}$ and Compressor operation frequency is 61Hz or more. <p>$T_{63\text{HS}}$: Condensing temperature of pressure sensor (63HS) Thermistor TH3: Liquid temperature TH32: Inlet water temperature TH6: Plate HEX Liquid temperature TH7: Ambient temperature</p>	<ul style="list-style-type: none"> ① Leakage or shortage of refrigerant ② Malfunction of linear expansion valve ③ Refrigerant circuit is clogged with foreign objects. <p>Note: Clogging occurs in the parts which become below freezing point when water enters in refrigerant circuit.</p> <ul style="list-style-type: none"> ④ Disconnection of thermistor holder 	<ul style="list-style-type: none"> ① Check intake superheat. Check leakage of refrigerant. ② Check linear expansion valve. ③ After recovering refrigerant, remove water from entire refrigerant circuit under vacuum more than 1 hour. ④ Check temperature display on outdoor controller circuit board. Temperature display is indicated by setting SW2 of outdoor controller circuit board. Check the holder of thermistor.
UE	<p>Abnormal pressure of pressure sensor (63HS)</p> <p>Abnormal if pressure sensor (63HS) detects 0.1 MPa or less. Detection is inoperative for 3 minutes after compressor starting and 3 minutes after and during defrosting.</p>	<ul style="list-style-type: none"> ① Disconnection or contact failure of connector (63HS) on the outdoor controller circuit board ② Defective pressure sensor ③ Defective outdoor controller circuit board 	<ul style="list-style-type: none"> ① Check connection of connector (63HS) on the outdoor controller circuit board. Check breaking of the lead wire for thermistor (63HS). ② Check pressure by microprocessor. (Pressure sensor/ 63HS) (SW2: Refer to "9-7. OUTDOOR UNIT OPERATION MONITOR FUNCTION".) ③ Replace outdoor controller board.
PE	<p>Inlet water temperature</p> <p>Abnormal if the following conditions are detected for continuously 10 seconds.</p> <ol style="list-style-type: none"> 1. Cooling mode During compressor operation $\text{TH32} < 3^{\circ}\text{C}$ 2. Heating mode (exclude defrosting) During compressor operation $\text{TH32} < -10^{\circ}\text{C}$ 3. Defrosting mode During compressor operation $\text{TH32} < 0^{\circ}\text{C}$ <p>Thermistor TH32: Inlet water temperature</p>	<ul style="list-style-type: none"> ① Reduced water flow <ul style="list-style-type: none"> · Clogged filter · Leak of water ② Low temperature <ul style="list-style-type: none"> · Low-load · Low temperature inlet water ③ Defective water pump ④ Leakage or shortage of refrigerant 	<ul style="list-style-type: none"> ①② Check water piping. ③ Check water pump. ④ Check intake superheat. Check leakage of refrigerant.

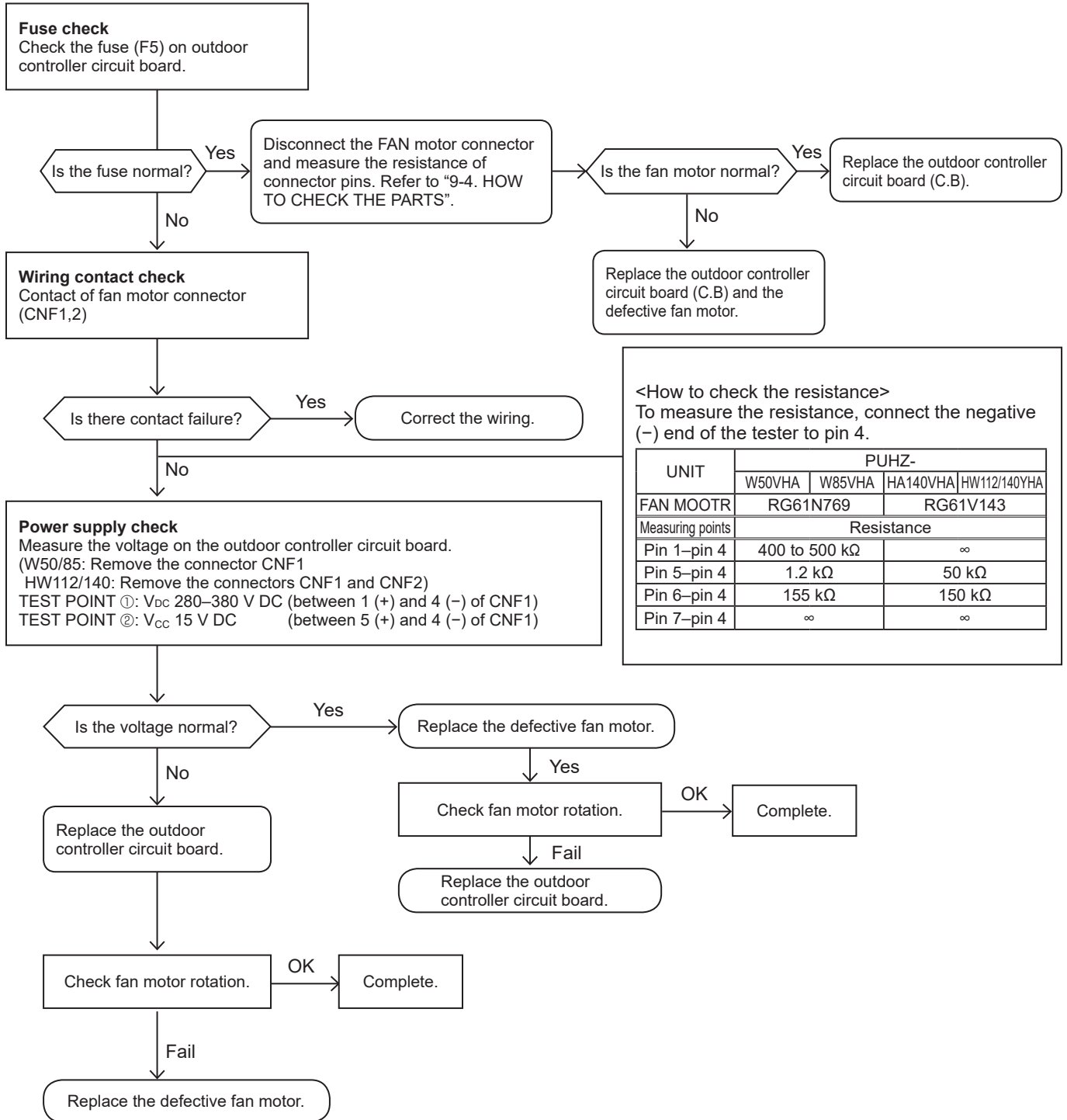
9-4. HOW TO CHECK THE PARTS

PUHZ-W50VHA(-BS)	PUHZ-W85VHA(-BS)	PUHZ-HW112YHA(-BS)	PUHZ-HW140VHA(-BS)	PUHZ-HW140YHA(-BS)
PUHZ-W50VHAR1(-BS)	PUHZ-W85VHAR1(-BS)	PUHZ-HW112YHA2(-BS)	PUHZ-HW140VHA2(-BS)	PUHZ-HW140YHA2(-BS)
PUHZ-W50VHAR2(-BS)		PUHZ-HW112YHA2R1(-BS)	PUHZ-HW140YHA2R1(-BS)	PUHZ-HW140YHA2R1(-BS)
PUHZ-W50VHAR3(-BS)		PUHZ-HW112YHA2R3(-BS)	PUHZ-HW140VHA2R2-BS	PUHZ-HW140YHA2R3(-BS)
		PUHZ-HW112YHA2R4(-BS)	PUHZ-HW140VHA2R3(-BS)	PUHZ-HW140YHA2R4(-BS)
		PUHZ-HW112YHA2R5(-BS)	PUHZ-HW140VHA2R4(-BS)	PUHZ-HW140YHA2R5(-BS)
		PUHZ-HW112YHA2R6(-BS)	PUHZ-HW140VHA2R5(-BS)	PUHZ-HW140YHA2R6(-BS)
		PUHZ-HW112YHA2R7(-BS)	PUHZ-HW140VHA2R6(-BS)	PUHZ-HW140YHA2R7(-BS)
			PUHZ-HW140VHA2R7(-BS)	

Parts name	Checkpoints																	
TH3: Liquid pipe temp. TH4: Discharge temp. TH6: Plate Hex liquid pipe temp. TH7: Ambient temp. TH8: Heat sink temp. TH32: Inlet water temp. TH33: Comp. surface thermistor (W50VHA(R1-R3), W85VHAR1) Suction pipe temp. (HW112,140) TH34: Comp. surface thermistor (HW-HA2R3-R7)	Disconnect the connector then measure the resistance with a tester. (At the ambient temperature of 10 to 30°C) <table border="1" style="margin-top: 10px;"> <thead> <tr> <th></th> <th>Normal</th> <th>Abnormal</th> </tr> </thead> <tbody> <tr> <td>TH4</td> <td rowspan="2">160 to 410 kΩ</td> <td rowspan="5">Open or short</td> </tr> <tr> <td>TH33 (W50VHA(R1,R2,R3), W85VHAR1) TH34 (HW-HA2R3-R7)</td> </tr> <tr> <td>TH3</td> <td rowspan="3">4.3 to 9.6 kΩ</td> </tr> <tr> <td>TH6</td> </tr> <tr> <td>TH7</td> </tr> <tr> <td>TH33 (HW112,140)</td> <td rowspan="2">4.4 to 9.8 kΩ</td> </tr> <tr> <td>TH32</td> </tr> <tr> <td>TH8</td> <td>39 to 105 kΩ</td> <td></td> </tr> </tbody> </table>		Normal	Abnormal	TH4	160 to 410 kΩ	Open or short	TH33 (W50VHA(R1,R2,R3), W85VHAR1) TH34 (HW-HA2R3-R7)	TH3	4.3 to 9.6 kΩ	TH6	TH7	TH33 (HW112,140)	4.4 to 9.8 kΩ	TH32	TH8	39 to 105 kΩ	
	Normal	Abnormal																
TH4	160 to 410 kΩ	Open or short																
TH33 (W50VHA(R1,R2,R3), W85VHAR1) TH34 (HW-HA2R3-R7)																		
TH3	4.3 to 9.6 kΩ																	
TH6																		
TH7																		
TH33 (HW112,140)	4.4 to 9.8 kΩ																	
TH32																		
TH8	39 to 105 kΩ																	
Fan motor (MF1)	Refer to the next page.																	
Solenoid valve coil <4-way valve> (21S4)	Measure the resistance between the terminals with a tester. (At the ambient temperature of 20°C) <table border="1" style="margin-top: 10px;"> <thead> <tr> <th colspan="2">Normal</th> <th>Abnormal</th> </tr> </thead> <tbody> <tr> <td>W50,85</td> <td>HW112,140</td> <td rowspan="2">Open or short</td> </tr> <tr> <td>2350 ± 170 Ω</td> <td>1435 ± 150 Ω</td> </tr> </tbody> </table>	Normal		Abnormal	W50,85	HW112,140	Open or short	2350 ± 170 Ω	1435 ± 150 Ω									
Normal		Abnormal																
W50,85	HW112,140	Open or short																
2350 ± 170 Ω	1435 ± 150 Ω																	
Compressor (MC) 	Measure the resistance between the terminals with a tester. (Winding temperature 20°C) <table border="1" style="margin-top: 10px;"> <thead> <tr> <th colspan="4">Normal</th> <th>Abnormal</th> </tr> </thead> <tbody> <tr> <td>W50</td> <td>W85</td> <td>HW140V(2)</td> <td>HW112,140Y(2)</td> <td rowspan="2">Open or short</td> </tr> <tr> <td>0.640 Ω</td> <td>0.865 to 0.895 Ω</td> <td>0.188 Ω</td> <td>0.302 Ω</td> </tr> </tbody> </table>	Normal				Abnormal	W50	W85	HW140V(2)	HW112,140Y(2)	Open or short	0.640 Ω	0.865 to 0.895 Ω	0.188 Ω	0.302 Ω			
Normal				Abnormal														
W50	W85	HW140V(2)	HW112,140Y(2)	Open or short														
0.640 Ω	0.865 to 0.895 Ω	0.188 Ω	0.302 Ω															
Linear expansion valve (LEV-A) (LEV-B) (LEV-C) <except HW-HA2R3-R7 models> <HW-HA2R3-R7 models> 	Disconnect the connector then measure the resistance with a tester. (Winding temperature 20°C) <table border="1" style="margin-top: 10px;"> <thead> <tr> <th colspan="4">Normal</th> <th>Abnormal</th> </tr> </thead> <tbody> <tr> <td>Gray - Black</td> <td>Gray - Red</td> <td>Gray - Yellow</td> <td>Gray - Orange</td> <td rowspan="2">Open or short</td> </tr> <tr> <td colspan="4" style="text-align: center;">46 ± 3 Ω</td> </tr> </tbody> </table>	Normal				Abnormal	Gray - Black	Gray - Red	Gray - Yellow	Gray - Orange	Open or short	46 ± 3 Ω						
Normal				Abnormal														
Gray - Black	Gray - Red	Gray - Yellow	Gray - Orange	Open or short														
46 ± 3 Ω																		
Solenoid valve coil <Bypass valve> (SV) W50VHA W85VHA	Measure the resistance between the terminals with a tester. (At the ambient temperature of 20°C) <table border="1" style="margin-top: 10px;"> <thead> <tr> <th>Normal</th> <th>Abnormal</th> </tr> </thead> <tbody> <tr> <td>1450 ± 150 Ω</td> <td>Open or short</td> </tr> </tbody> </table>	Normal	Abnormal	1450 ± 150 Ω	Open or short													
Normal	Abnormal																	
1450 ± 150 Ω	Open or short																	

Check method of DC fan motor (fan motor/outdoor multi controller circuit board)

- ① Notes
 - High voltage is applied to the connector (CNF1, 2) for the fan motor. Pay attention to the service.
 - Do not pull out the connector (CNF1, 2) for the motor with the power supply on.
(It may damage the outdoor controller circuit board and fan motor.)
- ② Self check
Symptom: The outdoor fan cannot rotate.



9-5. HOW TO CHECK THE COMPONENTS

<Thermistor feature chart>

Low temperature thermistors

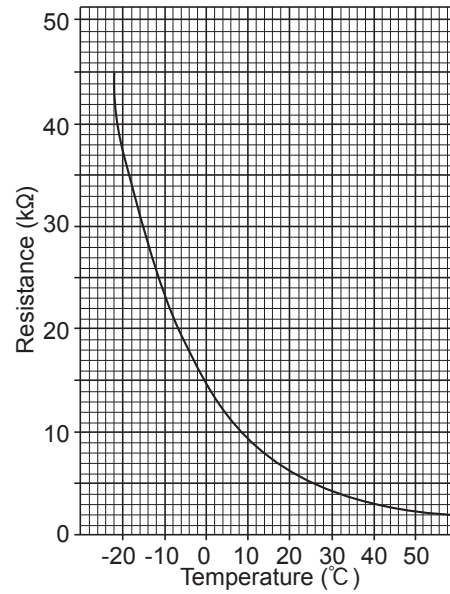
- Thermistor <Liquid> (TH3)
- Thermistor <Plate Hex liquid> (TH6)
- Thermistor <Ambient> (TH7)
- Thermistor <Suction> (TH33 for HW112,140)

Thermistor R0 = 15 kΩ ± 3%

B constant = 3480 ± 2%

$$R_t = 15 \exp\left\{3480 \left(\frac{1}{273+t} - \frac{1}{273} \right)\right\}$$

0°C	15 kΩ	30°C	4.3 kΩ
10°C	9.6 kΩ	40°C	3.0 kΩ
20°C	6.3 kΩ		
25°C	5.2 kΩ		



Medium temperature thermistor

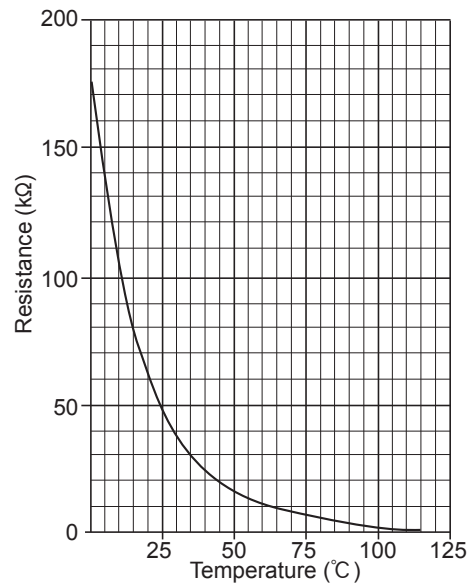
- Thermistor <Heat sink> (TH8)

Thermistor R50 = 17 kΩ ± 2%

B constant = 4150 ± 3%

$$R_t = 17 \exp\left\{4150 \left(\frac{1}{273+t} - \frac{1}{323} \right)\right\}$$

0°C	180 kΩ
25°C	50 kΩ
50°C	17 kΩ
70°C	8 kΩ
90°C	4 kΩ



High temperature thermistors

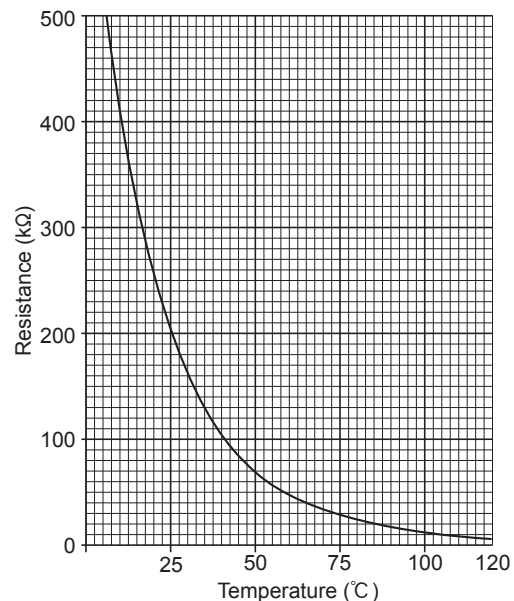
- Thermistor <Discharge> (TH4)
- Thermistor <Comp. surface> (TH33 for W50VHA(R1-R3), W85VHAR1)
- Thermistor <Comp. surface> (TH34 for HW·HA2R3-R7)

Thermistor R120 = 7.465 kΩ ± 2%

B constant = 4057 ± 2%

$$R_t = 7.465 \exp\left\{4057 \left(\frac{1}{273+t} - \frac{1}{393} \right)\right\}$$

20°C	250 kΩ	70°C	34 kΩ
30°C	160 kΩ	80°C	24 kΩ
40°C	104 kΩ	90°C	17.5 kΩ
50°C	70 kΩ	100°C	13.0 kΩ
60°C	48 kΩ	110°C	9.8 kΩ



Low temperature thermistor

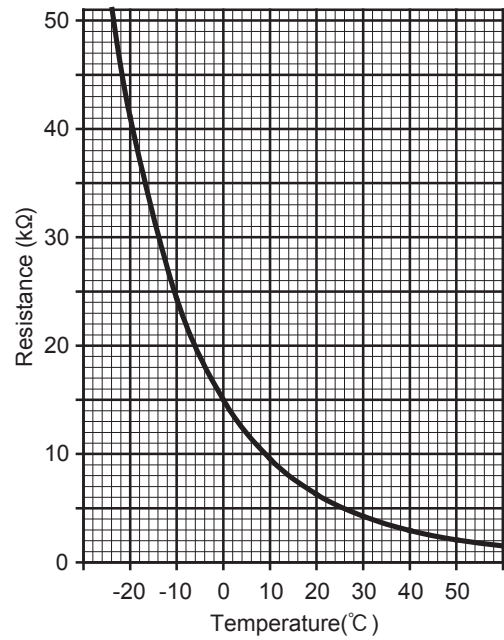
- Thermistor <Inlet water> (TH32)

Thermistor R0 = 15 kΩ ± 2.5%

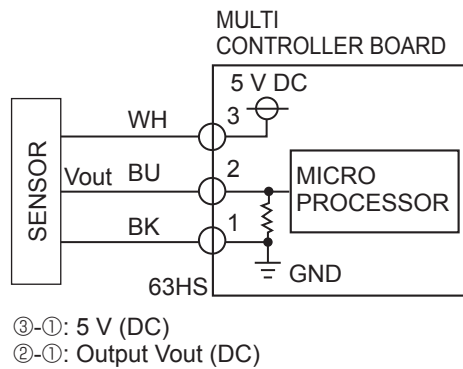
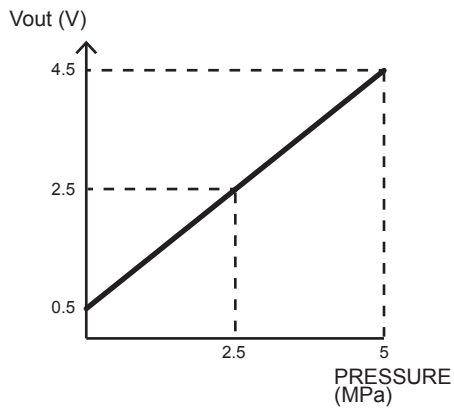
B constant = 3450 ± 2%

$$R_t = 15 \exp\left\{3450 \left(\frac{1}{273+t} - \frac{1}{273}\right)\right\}$$

0°C	15 kΩ	30°C	4.3 kΩ
10°C	9.6 kΩ	40°C	3.0 kΩ
20°C	6.3 kΩ		
25°C	5.2 kΩ		



<HIGH PRESSURE SENSOR>

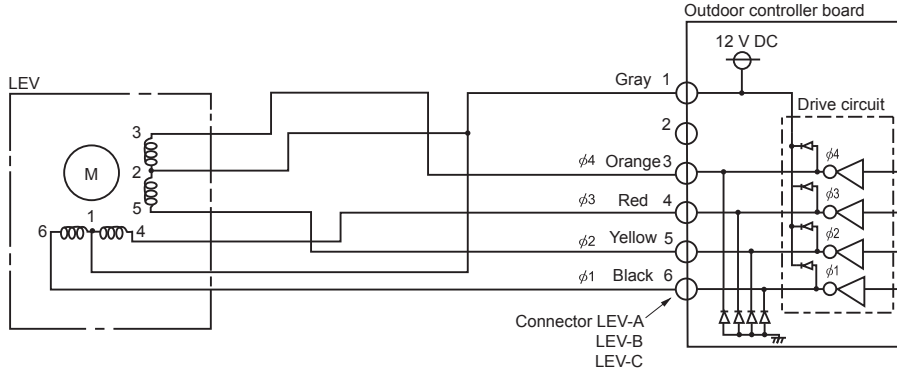


Linear expansion valve

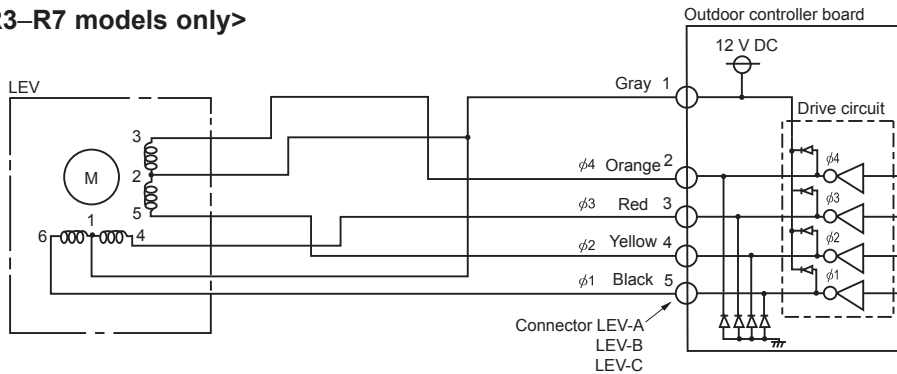
(1) Operation summary of the linear expansion valve

- Linear expansion valve opens/closes through stepping motor after receiving the pulse signal from the outdoor controller board.
- Valve position can be changed in proportion to the number of pulse signal.

<Connection between the outdoor controller board and the linear expansion valve>



<HW-HA2R3-R7 models only>



<Output pulse signal and the valve operation>

Output (Phase)	Output							
	1	2	3	4	5	6	7	8
φ1	ON	ON	OFF	OFF	OFF	OFF	OFF	ON
φ2	OFF	ON	ON	ON	OFF	OFF	OFF	OFF
φ3	OFF	OFF	OFF	ON	ON	ON	OFF	OFF
φ4	OFF	OFF	OFF	OFF	OFF	ON	ON	ON

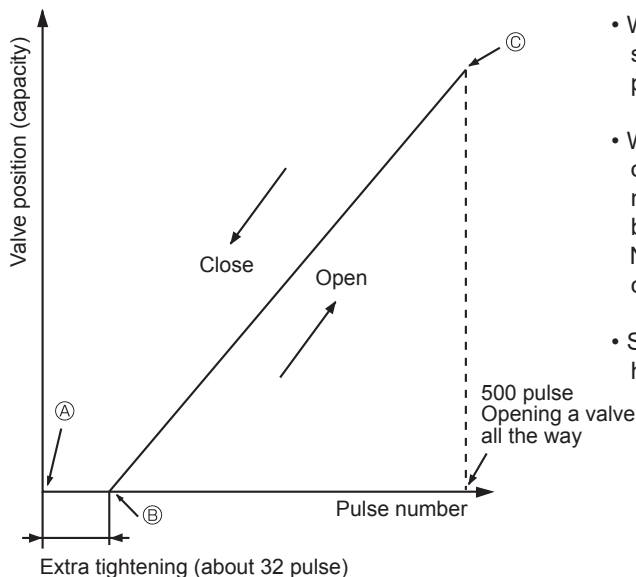
The output pulse shifts in below order.

Opening a valve : 8 → 7 → 6 → 5 → 4 → 3 → 2 → 1 → 8

Closing a valve : 1 → 2 → 3 → 4 → 5 → 6 → 7 → 8 → 1

- When linear expansion valve operation stops, all output phases become OFF.

(2) Linear expansion valve operation

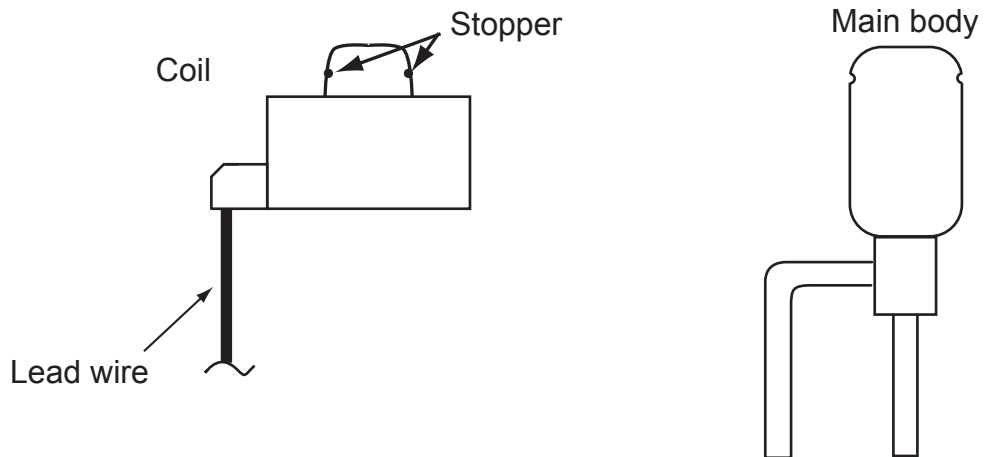


- When the power is turned on, 700 pulse closing valve signal will be sent till it goes to A point in order to define the valve position. (The pulse signal is being sent for about 20 seconds.)
- When the valve moves smoothly, there is no sound or vibration occurring from the linear expansion valve: however, when the pulse number moves from B to A or when the valve is locked, sound can be heard. No sound is heard when the pulse number moves from B to A in case coil is burnt out or motor is locked by open-phase.
- Sound can be detected by placing the ear against the screw driver handle while putting the screw driver to the linear expansion valve.

(3) How to attach and detach the coil of linear expansion valve

<Composition>

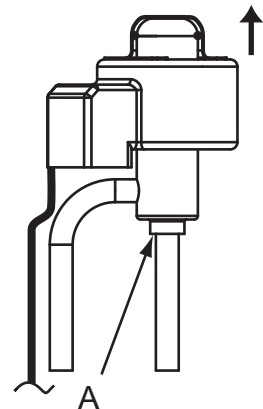
Linear expansion valve is separable into the main body and the coil as shown in the diagram below.



<How to detach the coil>

Hold the lower part of the main body (shown as A) firmly so that the main body does not move and detach the coil by pulling it upward.

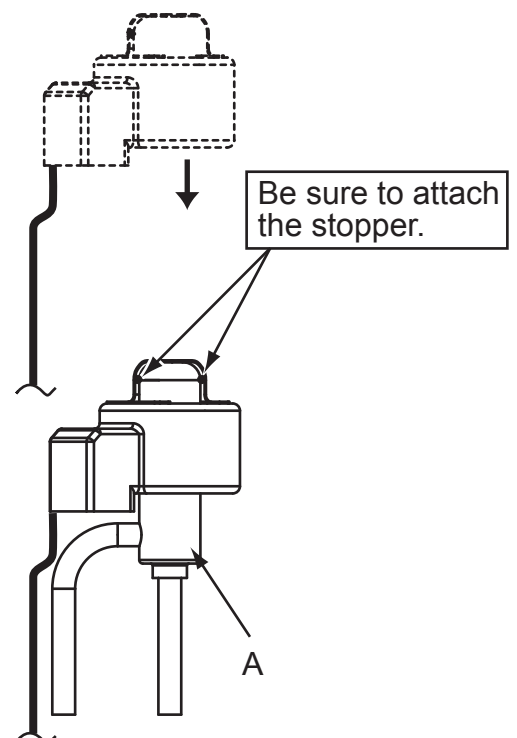
Be sure to detach the coil holding main body firmly. Otherwise pipes can bend due to stress.



<How to attach the coil>

Hold the lower part of the main body (shown as A) firmly so that the main body does not move and attach the coil by inserting it downward into the main body. Then securely attach the coil stopper to main body. (At this time, be careful that stress is not added to lead wire and main body is not wound by lead wire.) If the stopper is not firmly attached to main body, coil may be detached from the main body and that can cause defective operation of linear expansion valve.

To prevent piping stress, be sure to attach the coil holding the main body of linear expansion valve firmly. Otherwise pipe may break.



9-6. TEST POINT DIAGRAM

Outdoor controller circuit board

PUHZ-W50VHA(-BS)

PUHZ-W85VHA(-BS)

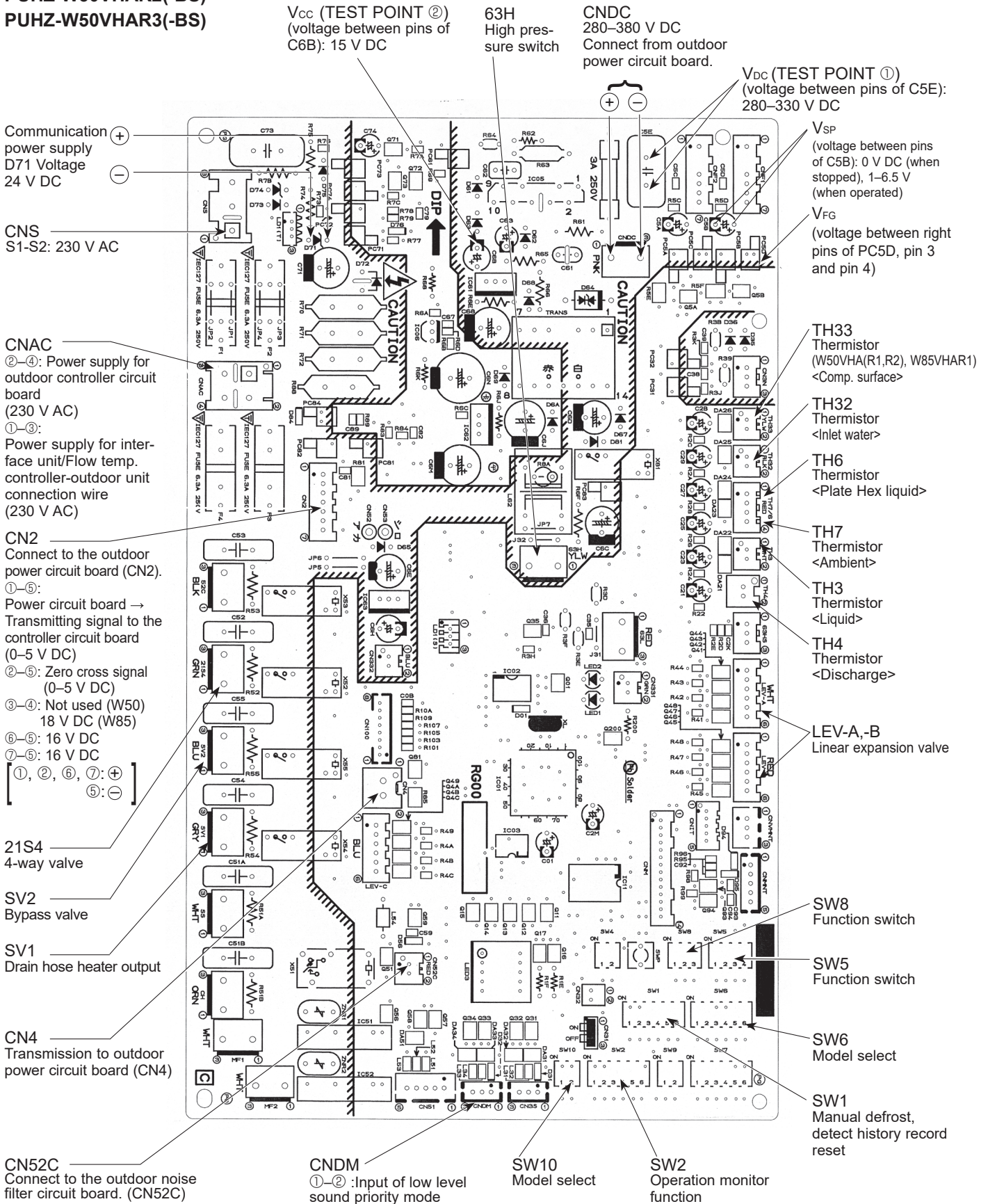
PUHZ-W50VHAR1(-BS)

PUHZ-W85VHAR1(-BS)

PUHZ-W50VHAR2(-BS)

PUHZ-W50VHAR3(-BS)

<CAUTION> TEST POINT ① is high voltage.



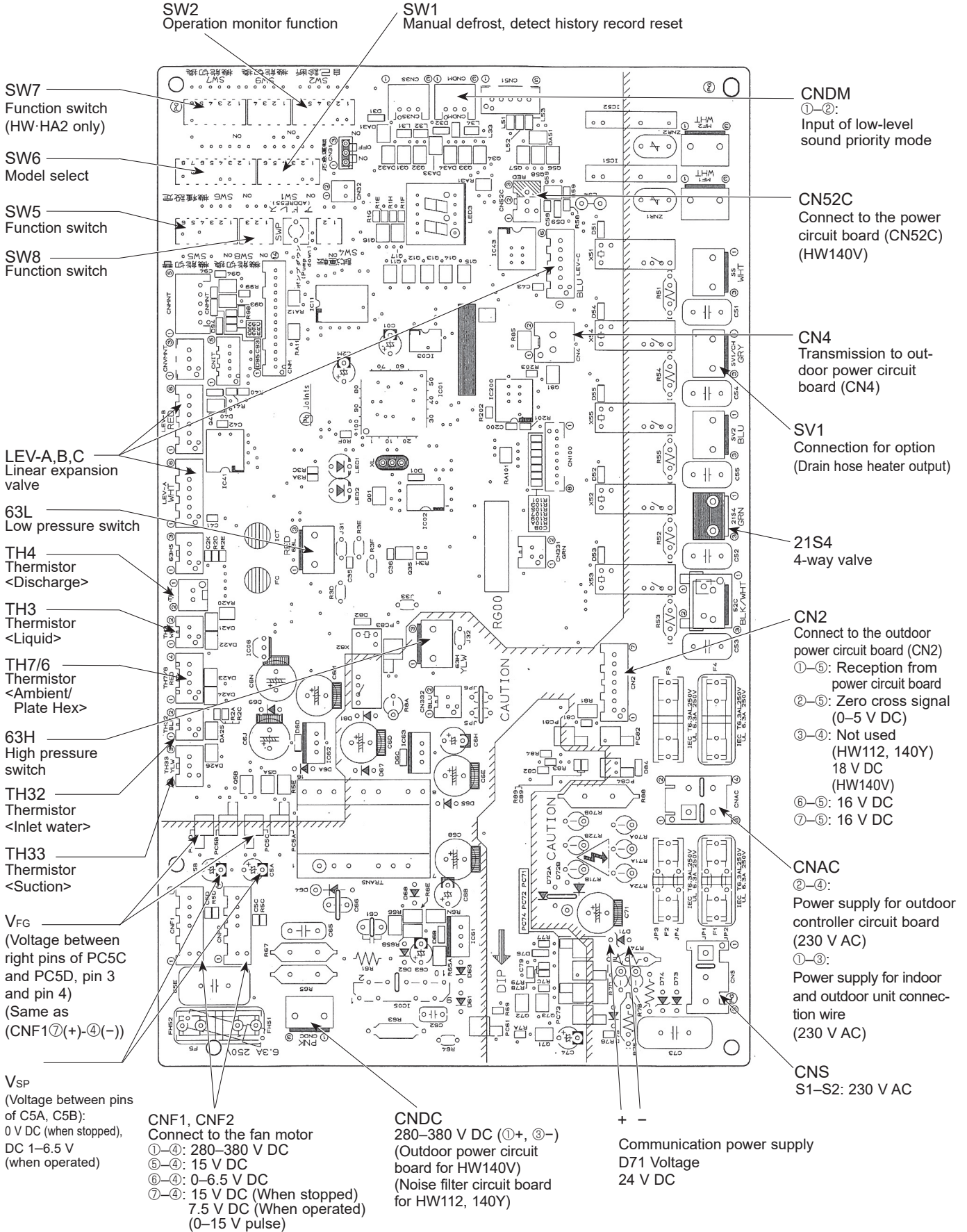
Outdoor controller circuit board

PUHZ-HW112YHA(-BS)
 PUHZ-HW112YHA2(-BS)
 PUHZ-HW112YHA2R1(-BS)

PUHZ-HW140VHA(-BS)
 PUHZ-HW140VHA2(-BS)
 PUHZ-HW140VHA2R1(-BS)

PUHZ-HW140YHA(-BS)
 PUHZ-HW140YHA2(-BS)
 PUHZ-HW140YHA2R1(-BS)

<CAUTION> TEST POINT ① is high voltage.



SW2 Operation monitor function
 SW1 Manual defrost, detect history record reset

SW7 Function switch (HW-HA2 only)
 SW6 Model select
 SW5 Function switch
 SW8 Function switch

LEV-A,B,C Linear expansion valve
 63L Low pressure switch
 TH4 Thermistor <Discharge>
 TH3 Thermistor <Liquid>
 TH7/6 Thermistor <Ambient/Plate Hex>
 63H High pressure switch
 TH32 Thermistor <Inlet water>
 TH33 Thermistor <Suction>

V_{FG} (Voltage between right pins of PC5C and PC5D, pin 3 and pin 4) (Same as (CNF1⑦(+)-④(-)))

V_{SP} (Voltage between pins of C5A, C5B):
 0 V DC (when stopped),
 DC 1-6.5 V (when operated)

CNF1, CNF2 Connect to the fan motor
 ①-④: 280-380 V DC
 ⑤-④: 15 V DC
 ⑥-④: 0-6.5 V DC
 ⑦-④: 15 V DC (When stopped)
 7.5 V DC (When operated)
 (0-15 V pulse)

CNDC 280-380 V DC (①+, ③-)
 (Outdoor power circuit board for HW140V)
 (Noise filter circuit board for HW112, 140Y)

+ -
 Communication power supply
 D71 Voltage
 24 V DC

CNDM ①-②: Input of low-level sound priority mode
 CN52C Connect to the power circuit board (CN52C) (HW140V)
 CN4 Transmission to outdoor power circuit board (CN4)
 SV1 Connection for option (Drain hose heater output)
 21S4 4-way valve
 CN2 Connect to the outdoor power circuit board (CN2)
 ①-⑤: Reception from power circuit board
 ②-⑤: Zero cross signal (0-5 V DC)
 ③-④: Not used (HW112, 140Y)
 18 V DC (HW140V)
 ⑥-⑤: 16 V DC
 ⑦-⑤: 16 V DC
 CNAC ②-④: Power supply for outdoor controller circuit board (230 V AC)
 ①-③: Power supply for indoor and outdoor unit connection wire (230 V AC)
 CNS S1-S2: 230 V AC

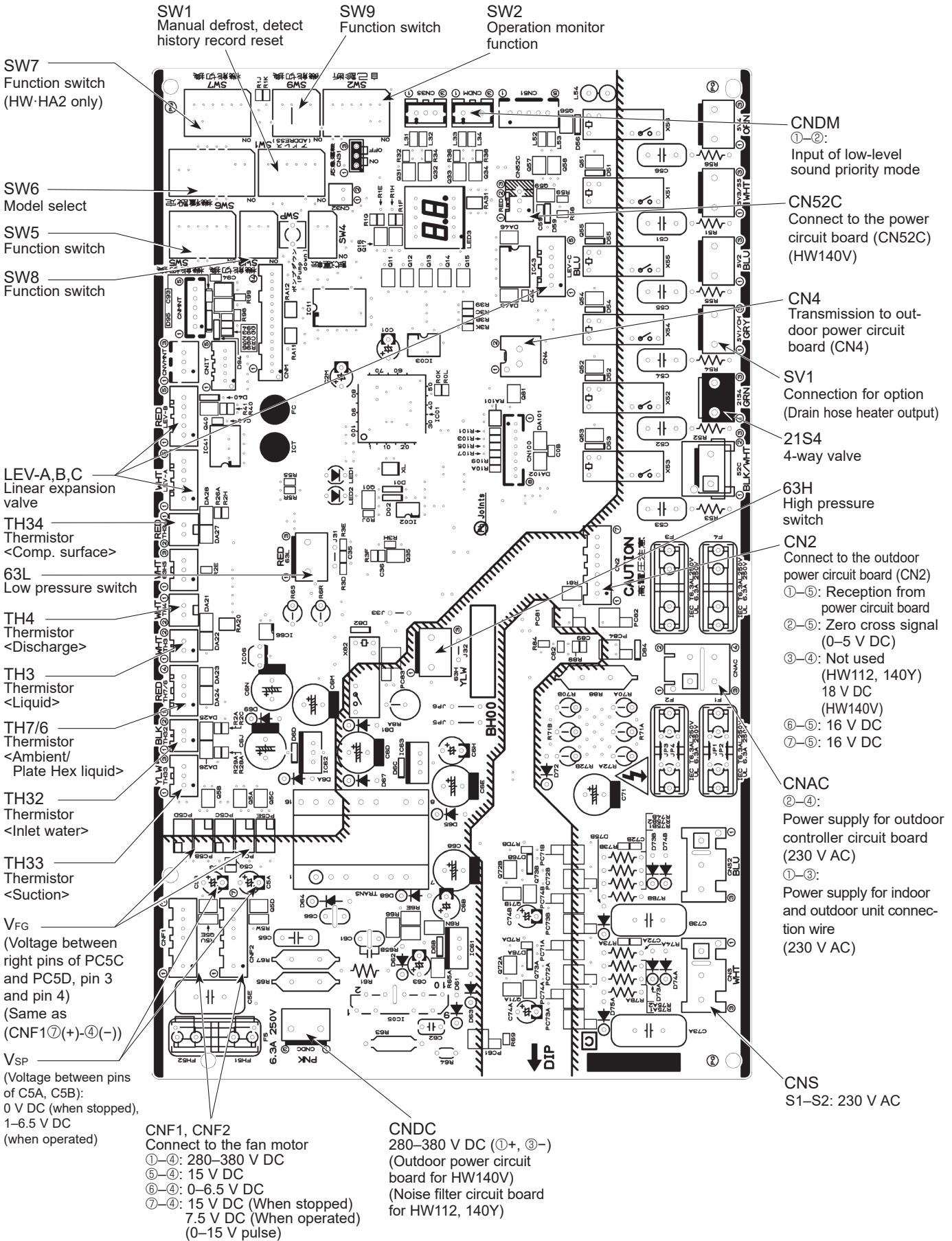
Outdoor controller circuit board

PUHZ-HW112YHA2R3(-BS)
PUHZ-HW112YHA2R4(-BS)

PUHZ-HW140VHA2R3(-BS)
PUHZ-HW140VHA2R4(-BS)

PUHZ-HW140YHA2R3(-BS)
PUHZ-HW140YHA2R4(-BS)

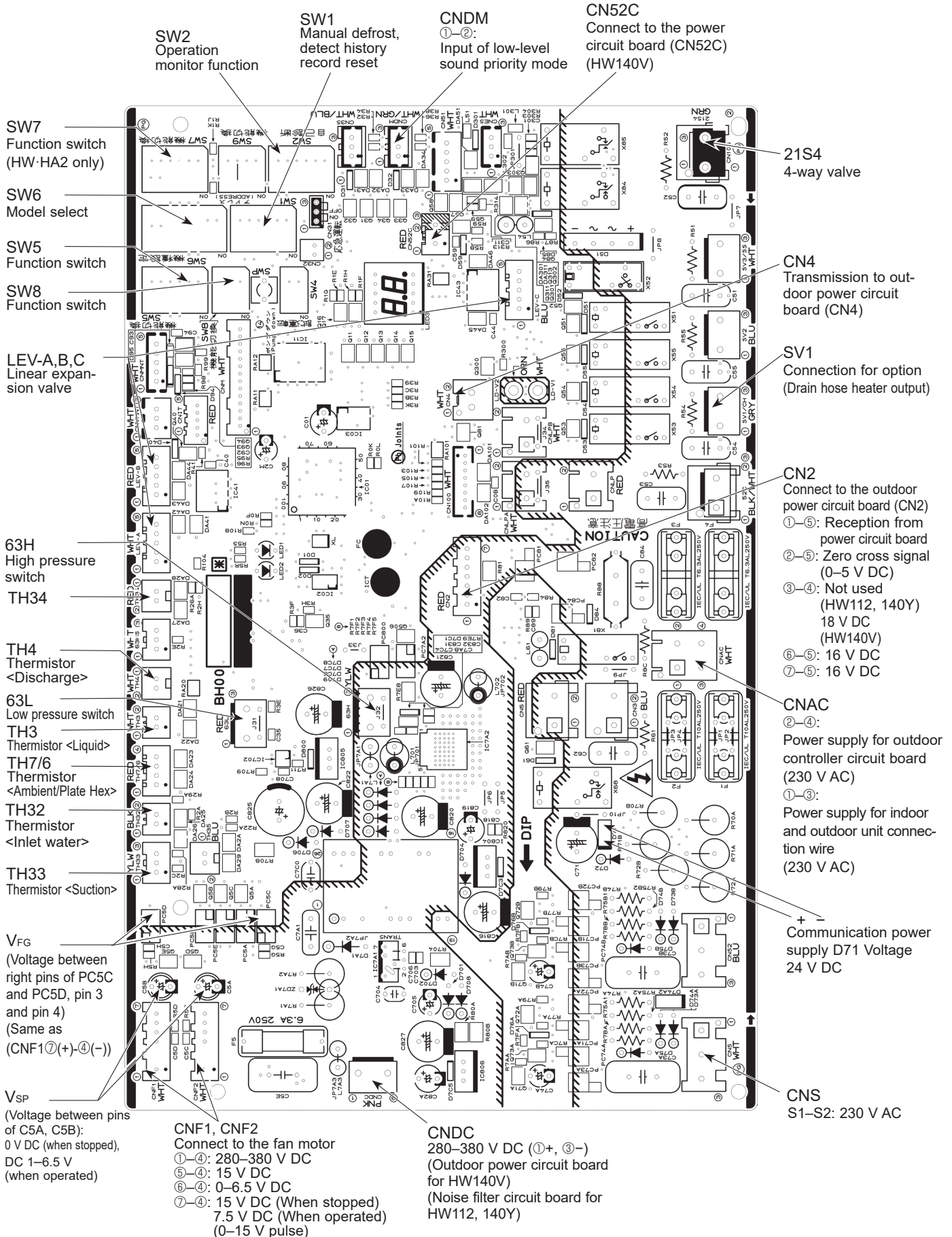
<CAUTION> TEST POINT ① is high voltage.



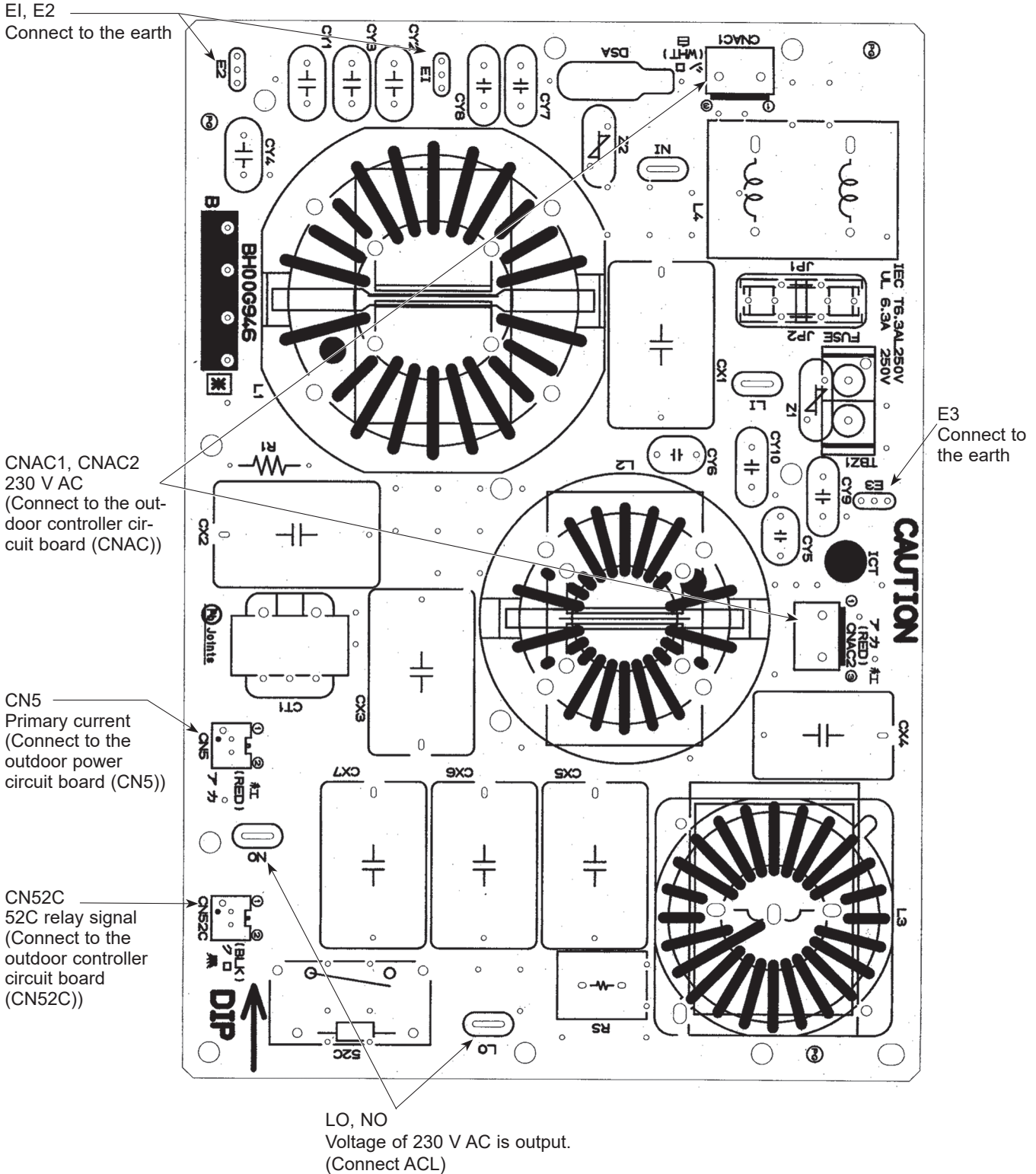
Outdoor controller circuit board

- PUHZ-HW112YHA2R5(-BS) PUHZ-HW140YHA2R5(-BS) PUHZ-HW140VHA2R5(-BS)
- PUHZ-HW112YHA2R6(-BS) PUHZ-HW140YHA2R6(-BS) PUHZ-HW140VHA2R6(-BS)
- PUHZ-HW112YHA2R7(-BS) PUHZ-HW140YHA2R7(-BS) PUHZ-HW140VHA2R7(-BS)

<CAUTION> TEST POINT ① is high voltage.



Outdoor noise filter circuit board
PUHZ-W50VHA(-BS) PUHZ-W50VHAR1(-BS) PUHZ-W50VHAR2(-BS)
PUHZ-W50VHAR3(-BS)



Outdoor noise filter circuit board
PUHZ-W85VHA(-BS)
PUHZ-W85VHAR1(-BS)

LO, NO
 Voltage of 230 V AC is output.
 Connect to the outdoor power
 circuit board (TABS, TABT).

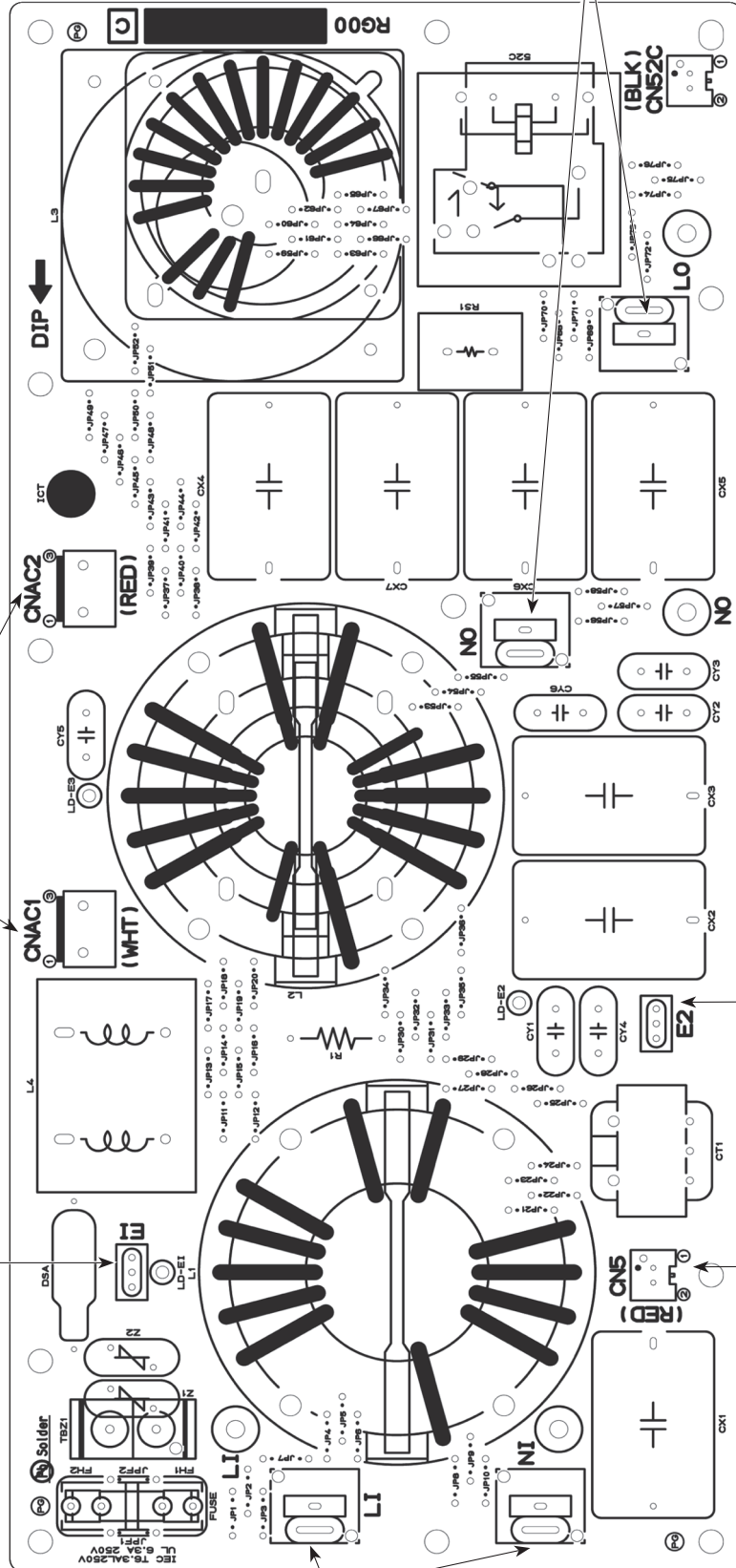
CNAC1, CNAC2
 230 V AC
 Connect to the out-
 door controller cir-
 cuit board (CNAC).

E1
 Connect to
 the earth.

E2
 Connect to the
 earth.

CN5
 Input current
 Connect to the
 outdoor power
 circuit board
 (CN5).

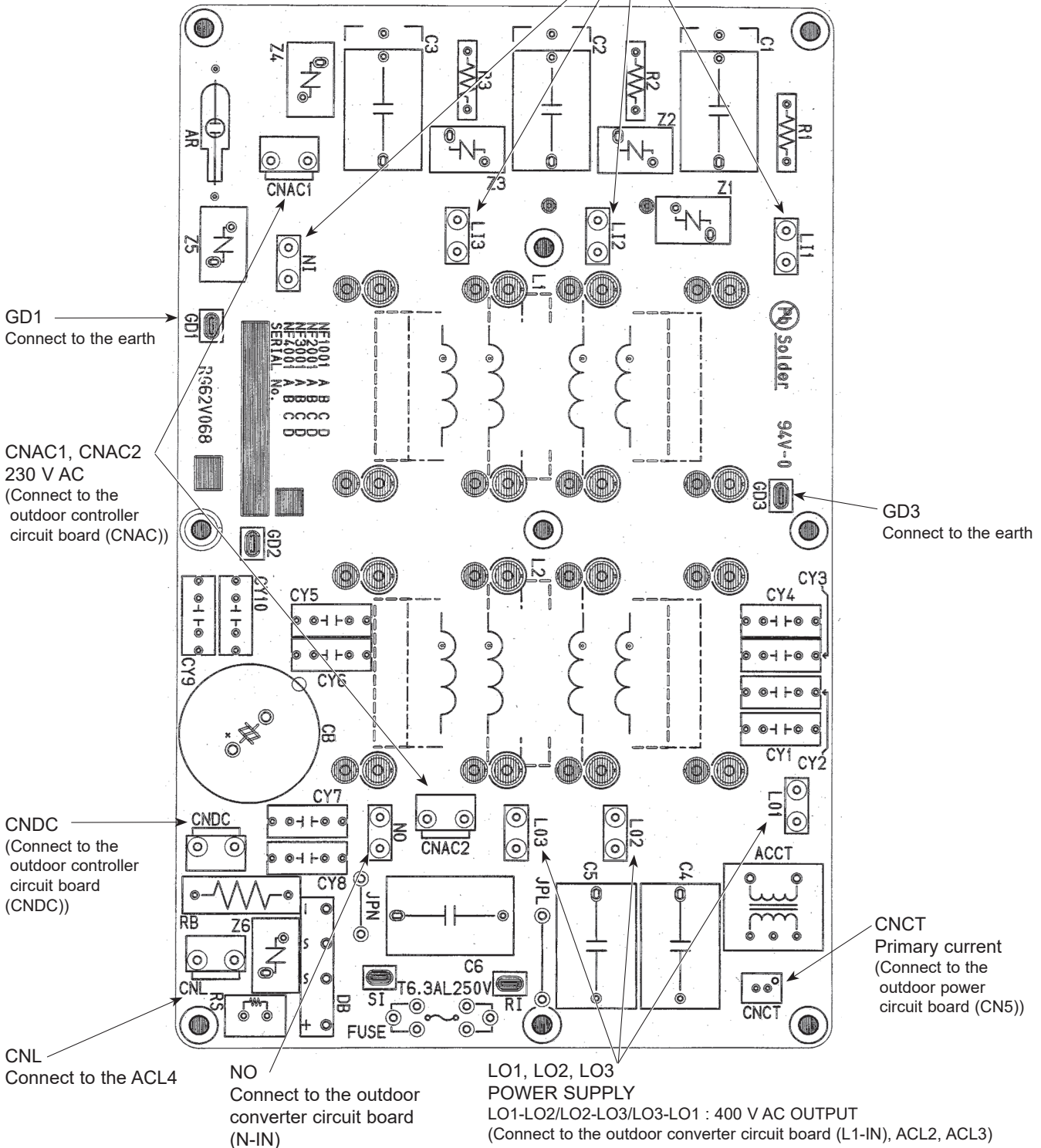
LI, NI
 Voltage of 230 V AC is input.
 Connect to the terminal block (TB1).



Outdoor noise filter circuit board
PUHZ-HW112YHA(-BS)
PUHZ-HW112YHA2(-BS)
PUHZ-HW112YHA2R1(-BS)

PUHZ-HW140YHA(-BS)
PUHZ-HW140YHA2(-BS)
PUHZ-HW140YHA2R1(-BS)

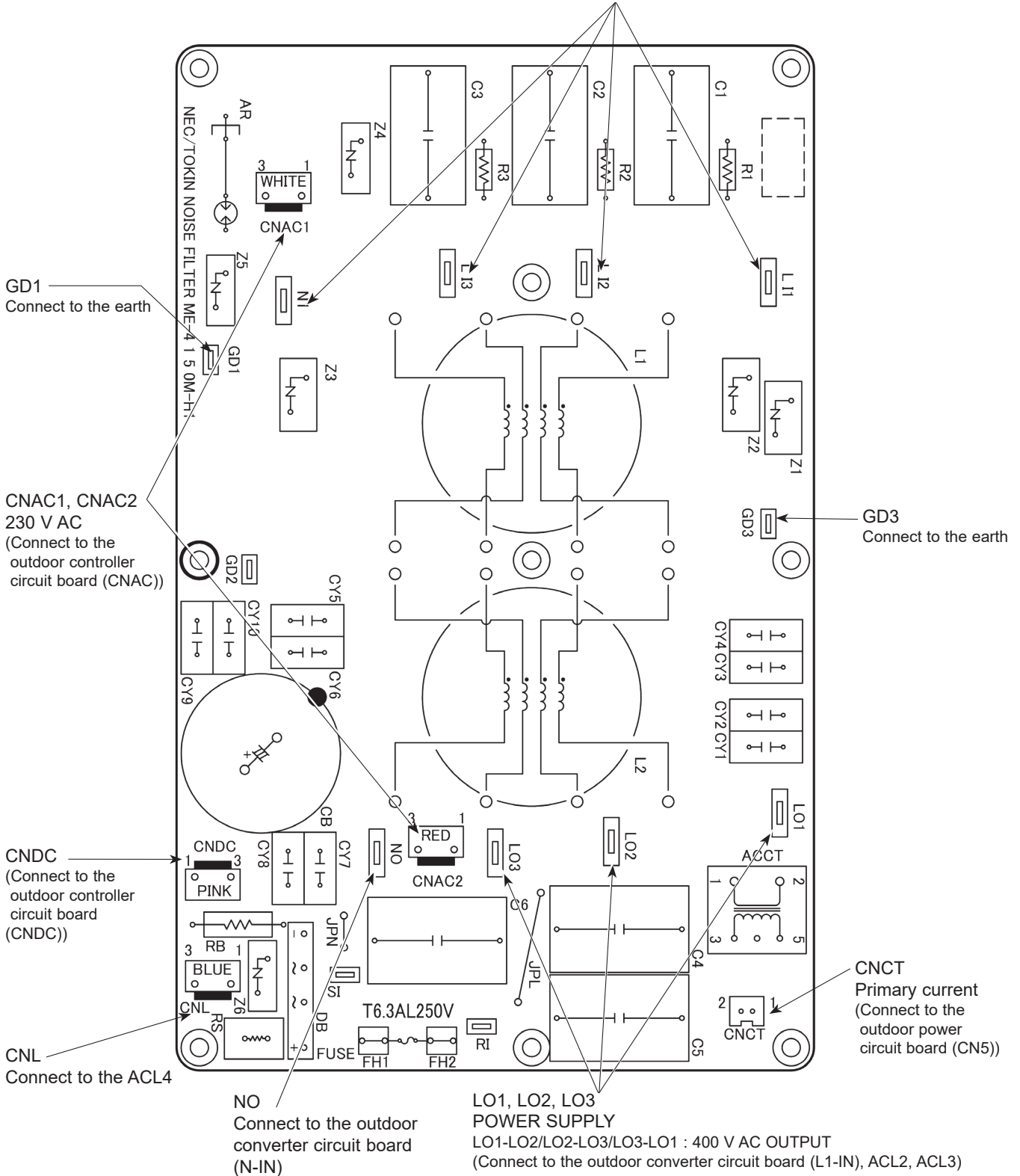
L11, L12, L13, NI
POWER SUPPLY
 L11-L12/L1-LI3/LI3-LI1: 400 V AC input
 LI1-NI/LI2-NI/LI3-NI: 230 V AC input
 (Connect to the terminal block (TB1))



Outdoor noise filter circuit board
PUHZ-HW112YHA2R3(-BS)
PUHZ-HW112YHA2R4(-BS)

PUHZ-HW140YHA2R3(-BS)
PUHZ-HW140YHA2R4(-BS)

LI1, LI2, LI3, NI
 POWER SUPPLY
 LI1-LI2/LI-LI3/LI3-LI1: 400 V AC input
 LI1-NI/LI2-NI/LI3-NI: 230 V AC input
 (Connect to the terminal block (TB1))



GD1
 Connect to the earth

CNAC1, CNAC2
 230 V AC
 (Connect to the outdoor controller circuit board (CNAC))

CNDC
 (Connect to the outdoor controller circuit board (CNDC))

CNL
 Connect to the ACL4

NO
 Connect to the outdoor converter circuit board (N-IN)

LO1, LO2, LO3
 POWER SUPPLY
 LO1-LO2/LO2-LO3/LO3-LO1 : 400 V AC OUTPUT
 (Connect to the outdoor converter circuit board (L1-IN), ACL2, ACL3)

GD3
 Connect to the earth

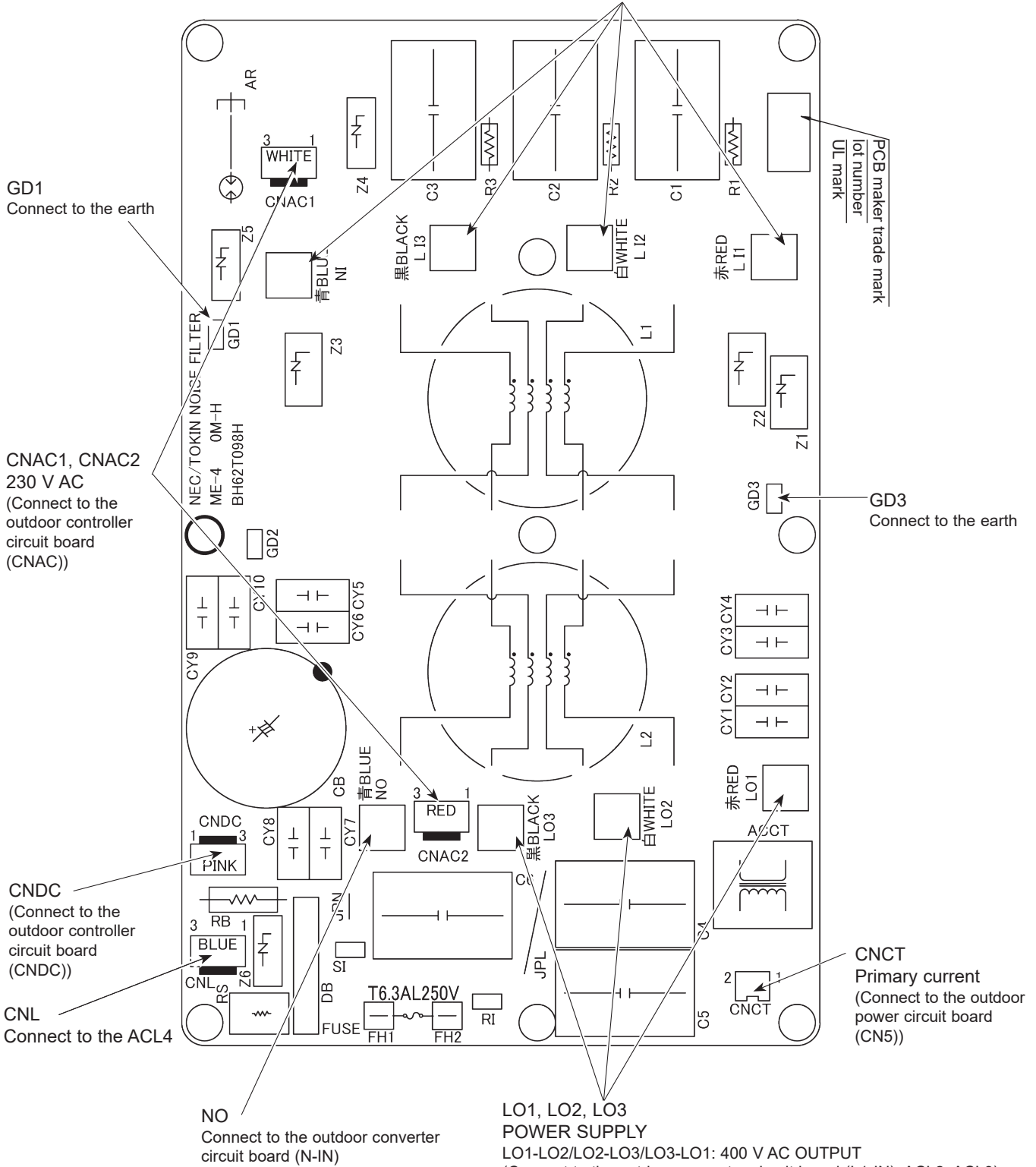
CNCT
 Primary current
 (Connect to the outdoor power circuit board (CN5))

Outdoor noise filter circuit board

PUHZ-HW112YHA2R5(-BS)
 PUHZ-HW112YHA2R6(-BS)
 PUHZ-HW112YHA2R7(-BS)

PUHZ-HW140YHA2R5(-BS)
 PUHZ-HW140YHA2R6(-BS)
 PUHZ-HW140YHA2R7(-BS)

LI1, LI2, LI3, NI
 POWER SUPPLY
 LI1-LI2/LI-LI3/LI3-LI1: 400 V AC input
 LI1-NI/LI2-NI/LI3-NI: 230 V AC input
 (Connect to the terminal block (TB1))



Outdoor power circuit board
PUHZ-W50VHA(-BS)
PUHZ-W50VHAR1(-BS)
PUHZ-W50VHAR2(-BS)
PUHZ-W50VHAR3(-BS)

Brief Check of DIP-IPM and DIP-PFC

If they are short-circuited, it means that they are broken.
 Measure the resistance in the following points (connectors, etc.).

1. Check of DIP-IPM

P2-U, **P2-V**, **P2-W**, **N2-U**, **N2-V**, **N2-W**

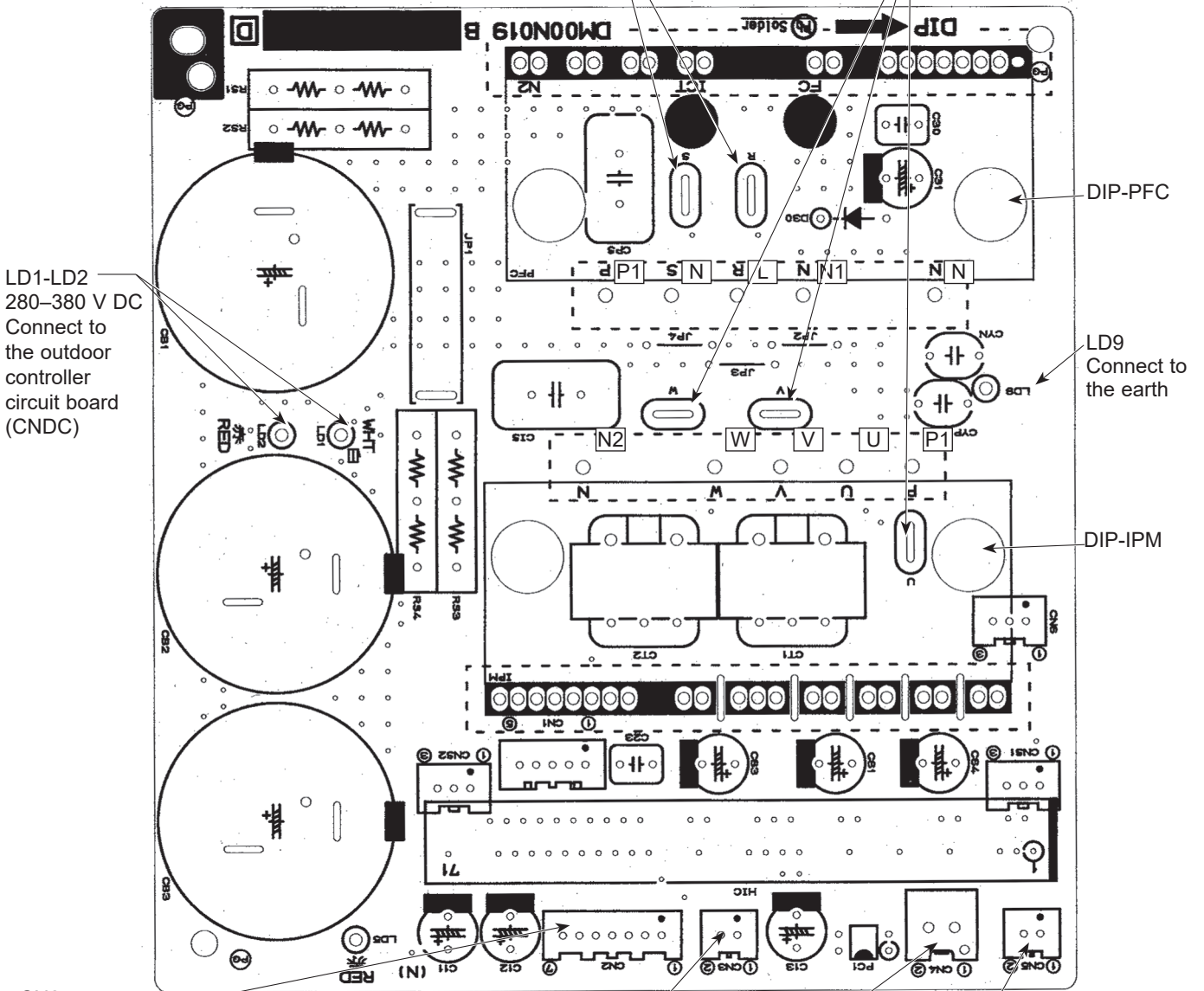
2. Check of DIP-PFC

P1-L, **P1-N**, **L-N1**, **N-N1**

Note: The marks, **L**, **N**, **N1**, **N2**, **P1**, **P2**, **U**, **V** and **W** shown in the diagram are not actually printed on the board.

R, S
 Connect to the ACL
 230 V AC

U, V, W
 Connect to the compressor (MC)
 Voltage among phases: 5–180 V AC



LD1-LD2
 280–380 V DC
 Connect to the outdoor controller circuit board (CNDC)

DIP-PFC

LD9
 Connect to the earth

DIP-IPM

CN2
 Connect to the outdoor controller circuit board (CN2)
 ①–⑤: Outdoor power circuit board → Transmitting signal to the outdoor controller circuit board (0–5 V DC)
 ②–⑤: Zero cross signal (0–5 V DC)
 ③–④: Not used
 ⑥–⑤: 16 V DC [①, ②, ⑥, ⑦: +]
 ⑦–⑤: 16 V DC [⑤: -]

CN3
 Thermistor
 <HEAT SINK>
 (TH8)

CN4
 Connect from the outdoor controller circuit board (CN4)

CN5
 Primary current detection
 (Connect to the outdoor noise filter circuit board (CN5))

**Outdoor power circuit board
PUHZ-W85VHA(-BS)
PUHZ-W85VHAR1(-BS)**

Brief Check of POWER MODULE

If they are short-circuited, it means that they are broken.
Measure the resistance in the following points (connectors, etc.).

1. Check of diode bridge
TABP1-TABS, TABN1-TABS, TABP1-TABT, TABN1-TABT
2. Check of DIP-IPM
P-U, P-V, P-W, N-U, N-V, N-W

- CN2
Connect to the outdoor controller circuit board (CN2)
①-⑤: Transmitting signal to the outdoor controller circuit board (0-5 V DC)
②-⑤: Zero cross signal (0-5 V DC)
③, ④: 18 V DC
⑥-⑤: 16 V DC
⑦-⑤: 16 V DC

CNAF
Connect to ACTM

DIP-IPM

CNDC
280-380 V DC (①+, ③-)
Connect to the outdoor controller circuit board

CN3
Thermistor (TH8)
<Heat sink>

CN5
Detection of input current
Connect to the outdoor noise filter circuit board (CN5)

CN4
Connect to the outdoor controller circuit board (CN4)

TABP2
Connect to the ACTM

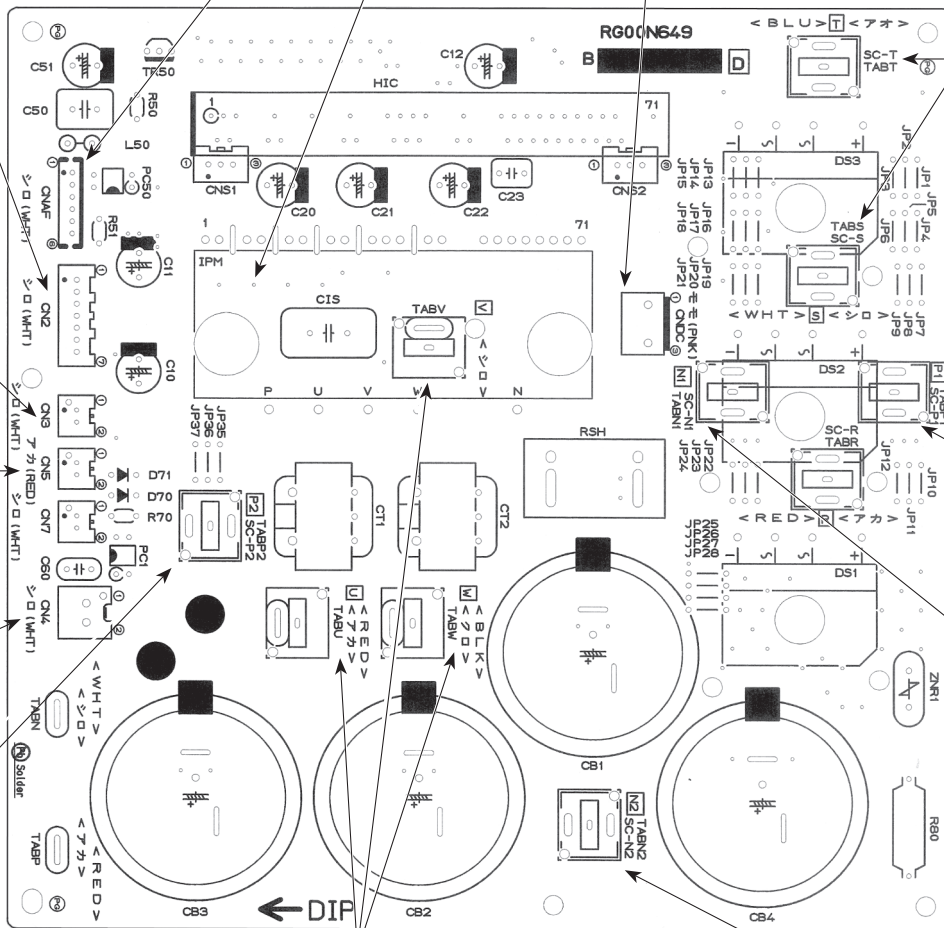
TABS/TABT
Connect to the outdoor noise filter circuit board
Voltage among phases: 230 V AC

TABP1
Connect to ACTM (+)

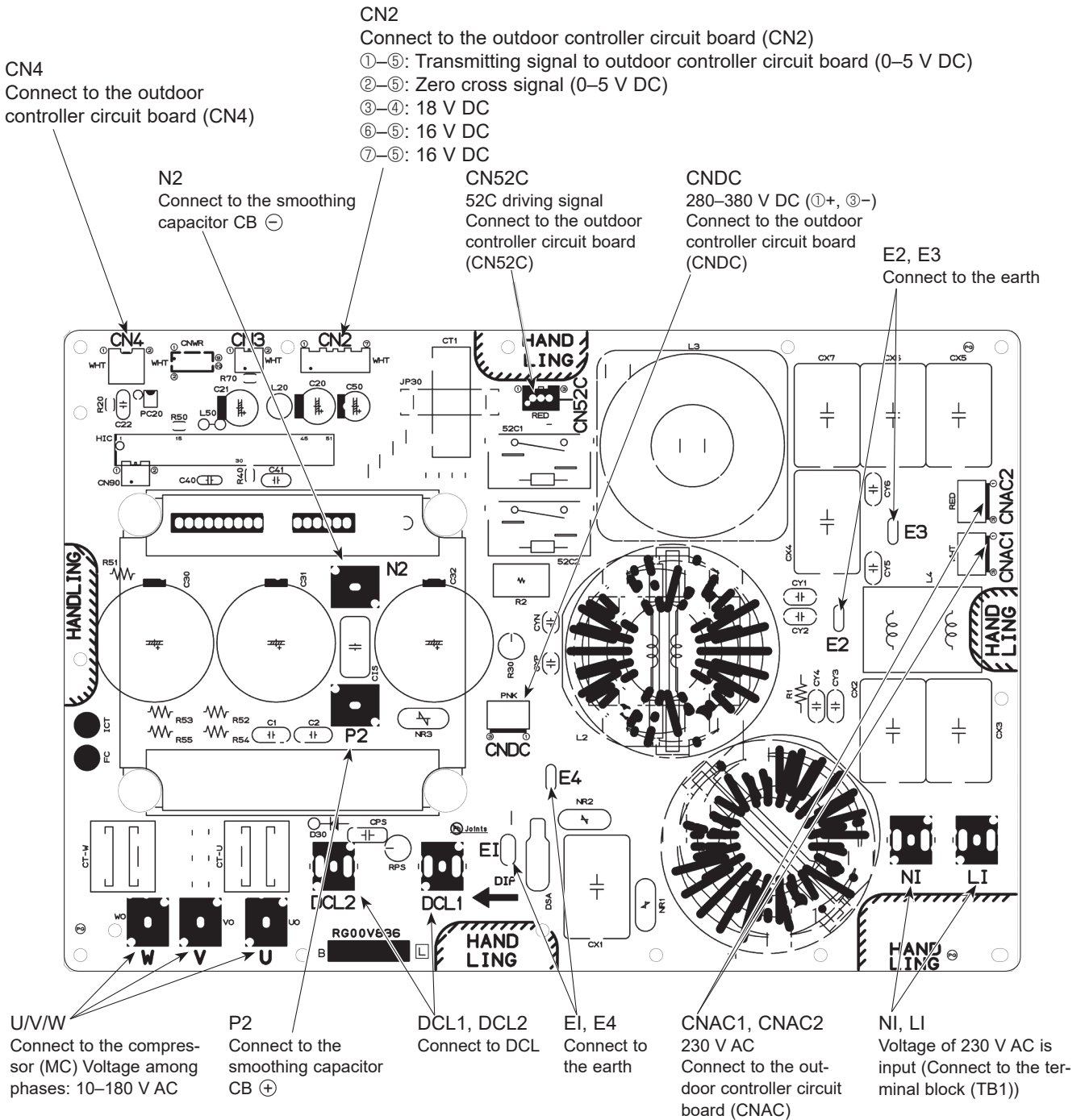
TABN1
Connect to ACTM (-)

TABU/V/W
Connect to the compressor (MC)
Voltage among phases: 10-180 V AC

TABN2
Connect to ACTM



Outdoor power circuit board
PUHZ-HW140VHA(-BS)
PUHZ-HW140VHA2(-BS)
PUHZ-HW140VHA2R1(-BS)
PUHZ-HW140VHA2R2-BS
PUHZ-HW140VHA2R3(-BS)
PUHZ-HW140VHA2R4(-BS)



Outdoor power circuit board
PUHZ-HW140VHA2R5(-BS)
PUHZ-HW140VHA2R6(-BS)
PUHZ-HW140VHA2R7(-BS)

Brief Check of POWER MODULE

If they are short-circuited, it means that they are broken.
 Measure the resistance in the following points (connectors, etc.).

1. Check of POWER MODULE

① Check of DIODE circuit

R-L1, **S**-L1, **R**-N1, **S**-N1

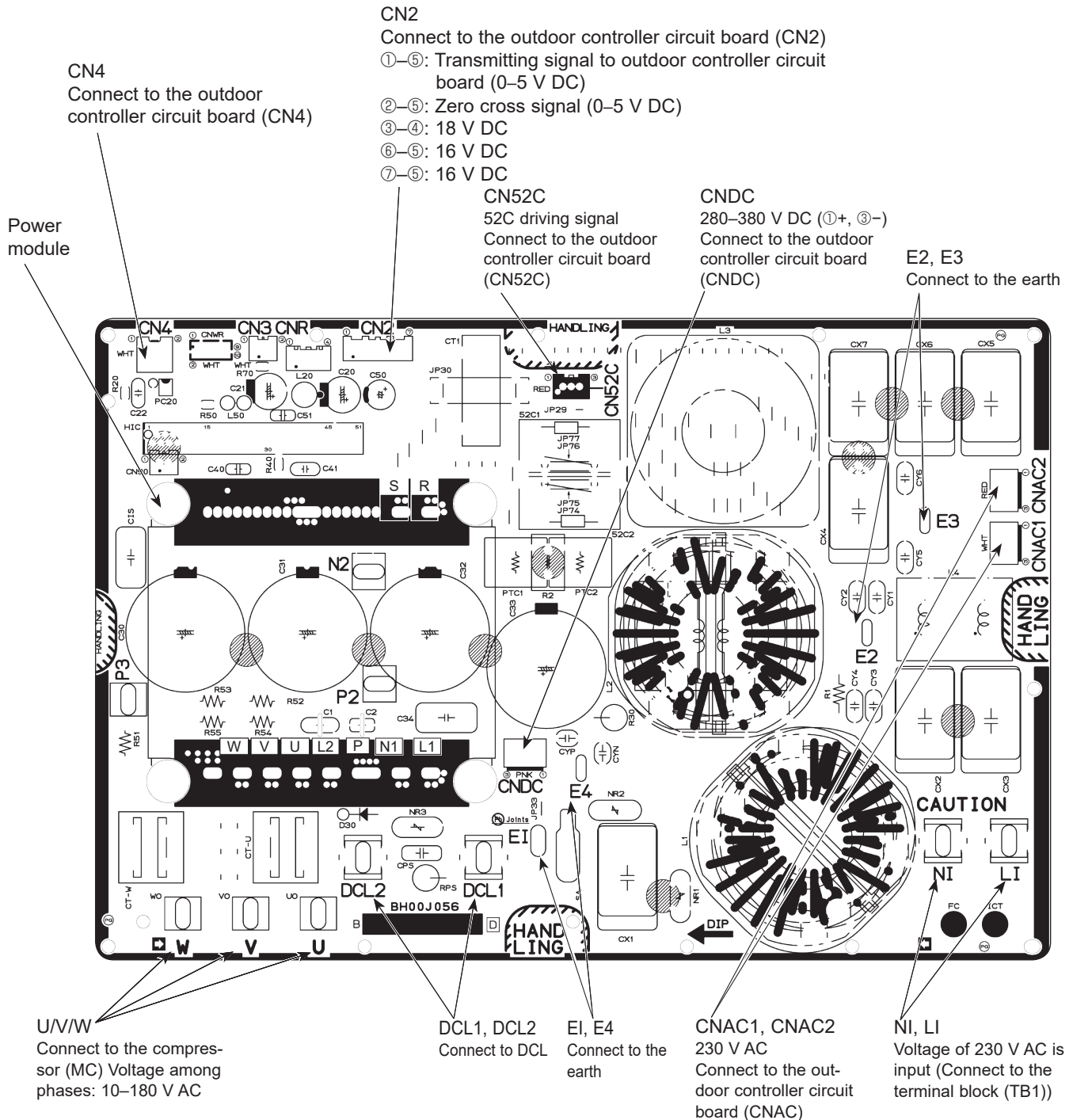
② Check of IGBT circuit

L2-N1

③ Check of INVERTER circuit

P-U, **P**-V, **P**-W, **N1**-U, **N1**-V, **N1**-W

Note: The marks **R**, **S**, **L1**, **L2**, **P**, **N1**, **U**, **V** and **W** shown in the diagram are not actually printed on the board.



Outdoor power circuit board
PUHZ-HW112YHA(-BS)
PUHZ-HW112YHA2(-BS)
PUHZ-HW112YHA2R1(-BS)
PUHZ-HW112YHA2R3(-BS)
PUHZ-HW112YHA2R4(-BS)
PUHZ-HW140YHA(-BS)
PUHZ-HW140YHA2(-BS)
PUHZ-HW140YHA2R1(-BS)
PUHZ-HW140YHA2R3(-BS)
PUHZ-HW140YHA2R4(-BS)

Brief Check of POWER MODULE

If they are short-circuited, it means that they are broken.
 Measure the resistance in the following points (connectors, etc.).

1. Check of POWER MODULE

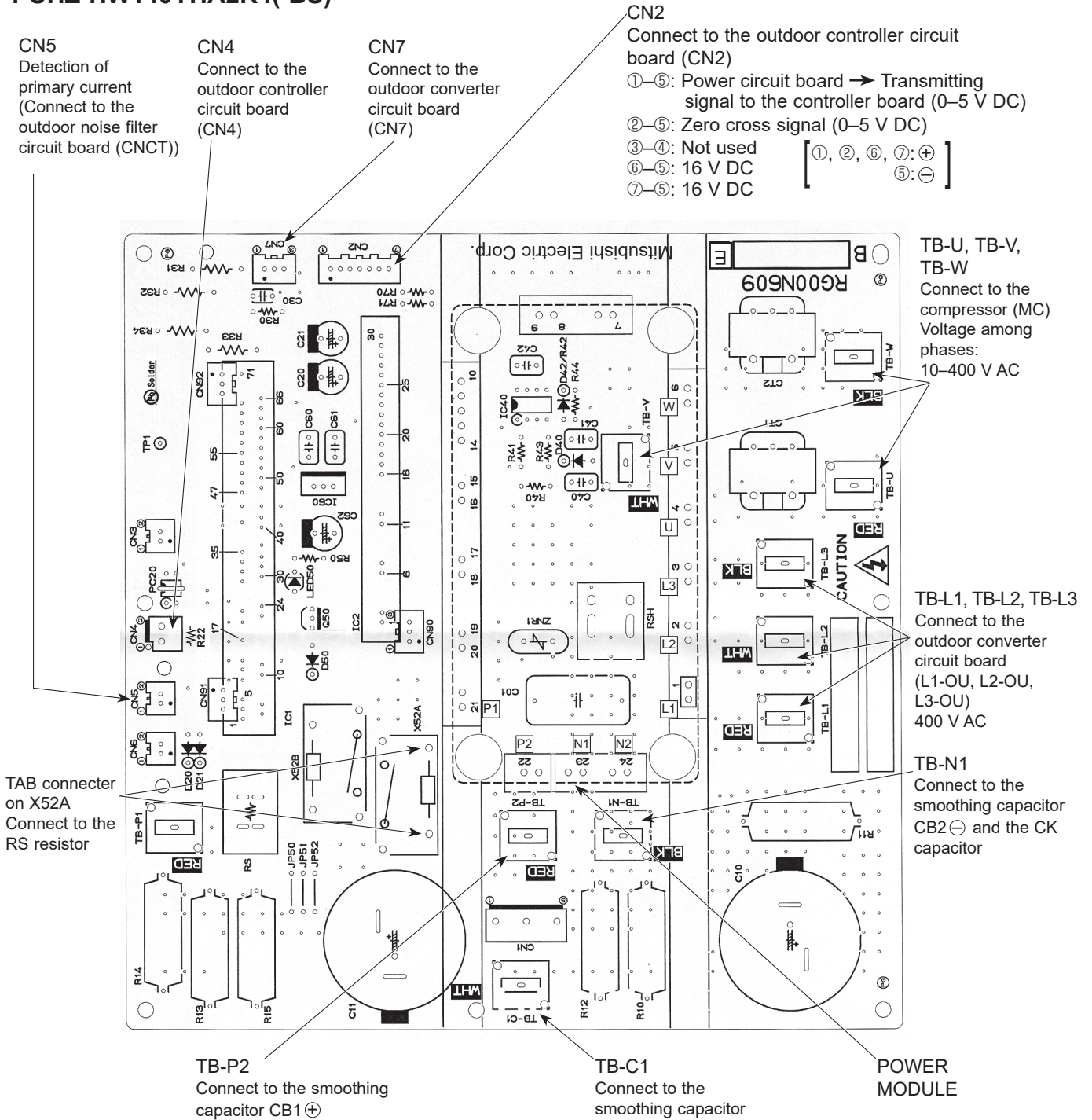
①. Check of DIODE circuit

L1-P1, **L2**-P1, **L3**-P1, **L1**-N1, **L2**-N1, **L3**-N1

②. Check of IGBT circuit

P2-U, **P2**-V, **P2**-W, **N2**-U, **N2**-V, **N2**-W

Note: The marks, **L1**, **L2**, **L3**, **N1**, **N2**, **P1**, **P2**, **U**, **V** and **W** shown in the diagram are not actually printed on the board.



Outdoor power circuit board
PUHZ-HW112YHA2R5(-BS)
PUHZ-HW112YHA2R6(-BS)
PUHZ-HW140YHA2R5(-BS)
PUHZ-HW140YHA2R6(-BS)
PUHZ-HW140YHA2R7(-BS)

Brief Check of POWER MODULE

If they are short-circuited, it means that they are broken.
 Measure the resistance in the following points (connectors, etc.).

1. Check of POWER MODULE

①. Check of DIODE circuit

L1-P1, L2-P1, L3-P1, L1-N1, L2-N1, L3-N1

②. Check of IGBT circuit

P2-U, P2-V, P2-W, N2-U, N2-V, N2-W

Note: The marks, **L1, L2, L3, N1, N2, P1, P2, U, V** and **W** shown in the diagram are not actually printed on the board.

TB-N
 Connect to the CK capacitor

TB-U, TB-V, TB-W
 Connect to the compressor (MC)
 Voltage among phases:
 10-400 V AC

Diode module

TAB connector on X52CA
 Connect to the RS resistor

TB-L1, TB-L2, TB-L3
 Connect to the outdoor converter circuit board (L1-OU, L2-OU, L3-OU)
 400 V AC

CN4
 Connect to the outdoor controller circuit board (CN4)

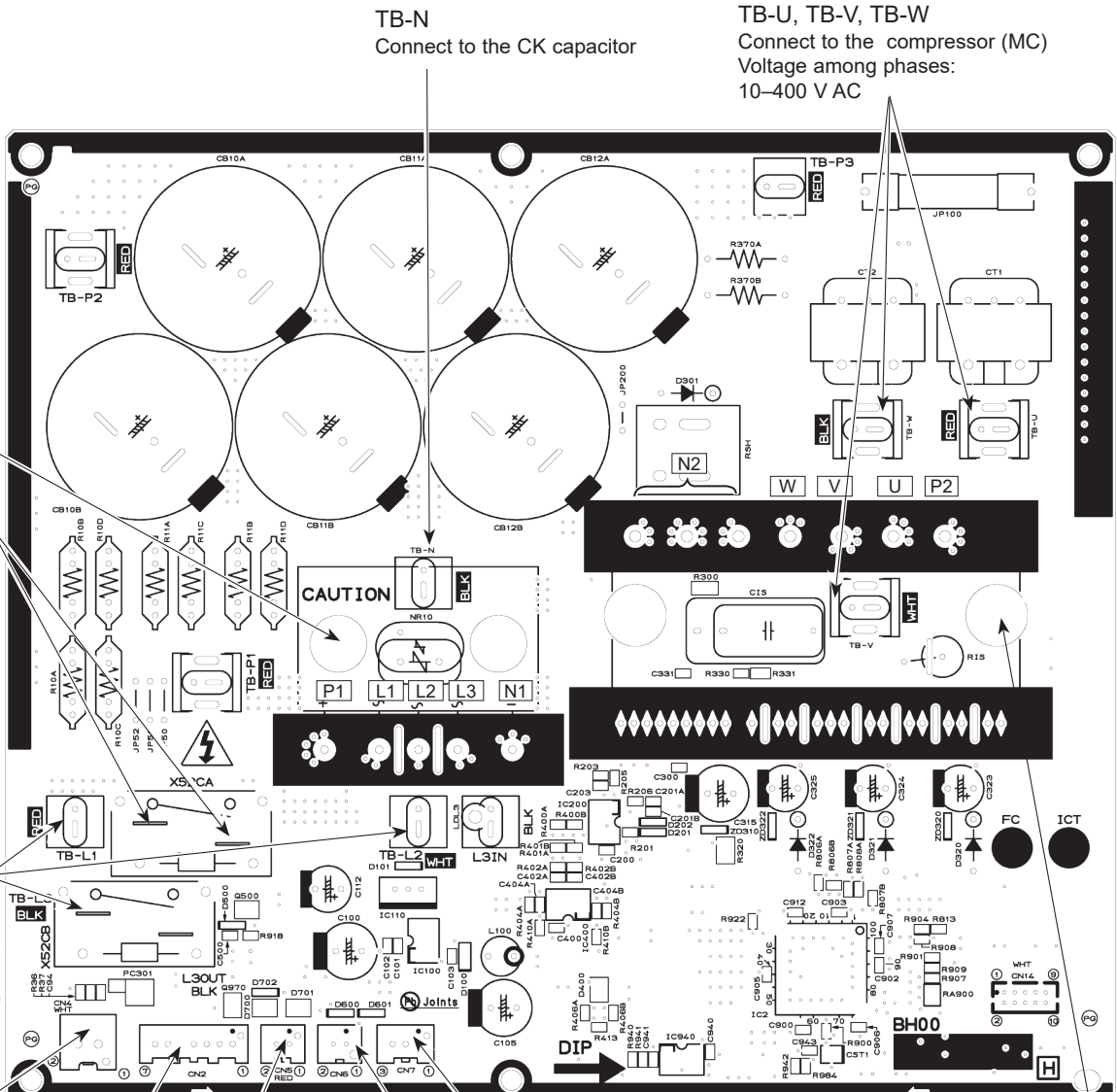
CN5
 Detection of primary current (Connect to the outdoor noise filter circuit board (CNCT))

CN7
 Connect to the outdoor converter circuit board (CN7)

CN2
 Connect to the outdoor controller circuit board (CN2)
 ①-⑤: Power circuit board → Transmitting signal to the controller board (0-5 V DC)
 ②-⑤: Zero cross signal (0-5 V DC)
 ③-④: Not used
 ⑥-⑤: 16 V DC
 ⑦-⑤: 16V DC
 [⑤ : ⊖ ①, ②, ⑥, ⑦ : ⊕]

CN6
 Thermistor
 <Heat sink> (TH8)

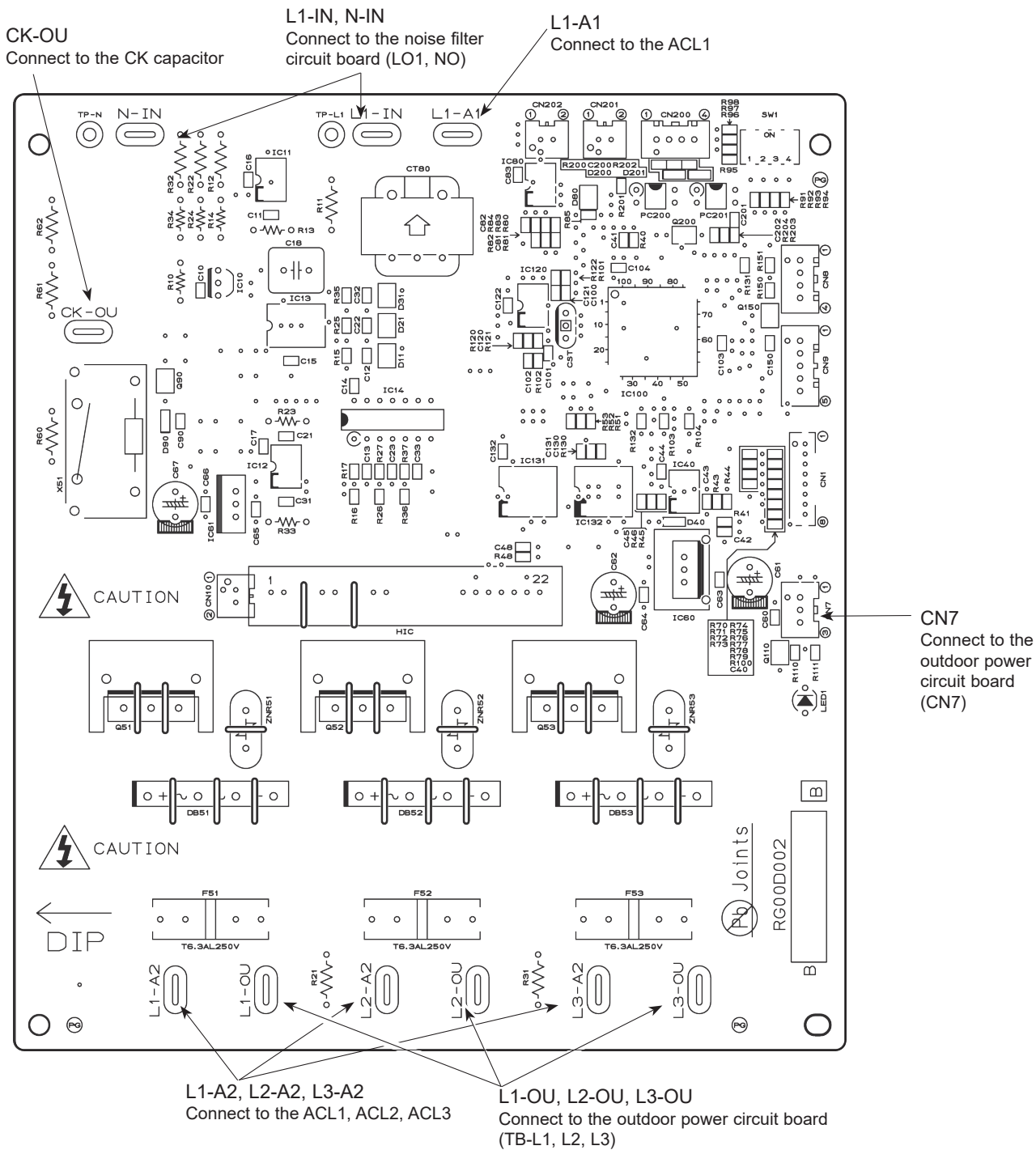
DIP-IPM



Outdoor converter circuit board

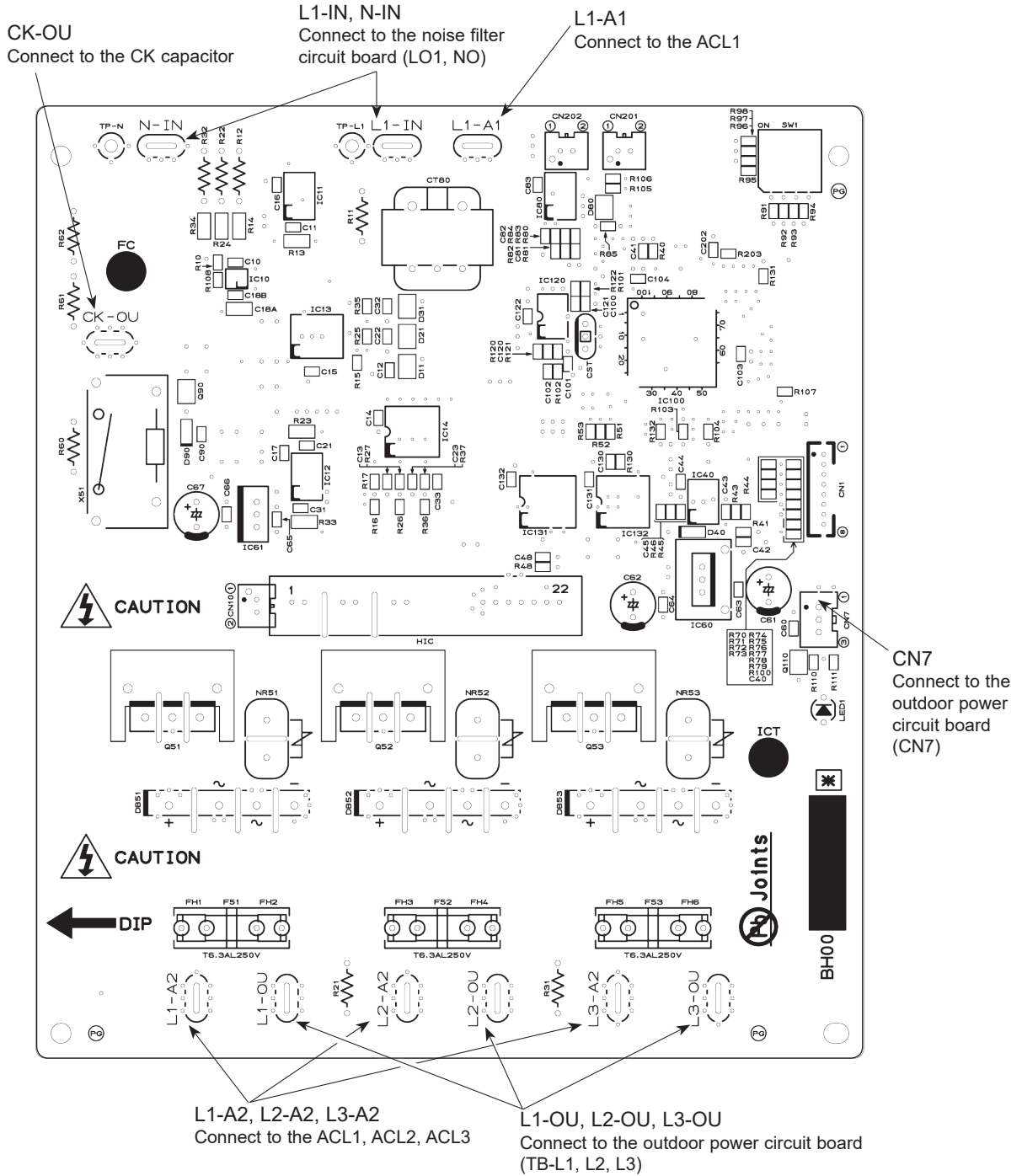
- PUHZ-HW112YHA(-BS)
- PUHZ-HW112YHA2(-BS)
- PUHZ-HW112YHA2R1(-BS)
- PUHZ-HW112YHA2R3(-BS)
- PUHZ-HW112YHA2R4(-BS)

- PUHZ-HW140YHA(-BS)
- PUHZ-HW140YHA2(-BS)
- PUHZ-HW140YHA2R1(-BS)
- PUHZ-HW140YHA2R3(-BS)
- PUHZ-HW140YHA2R4(-BS)

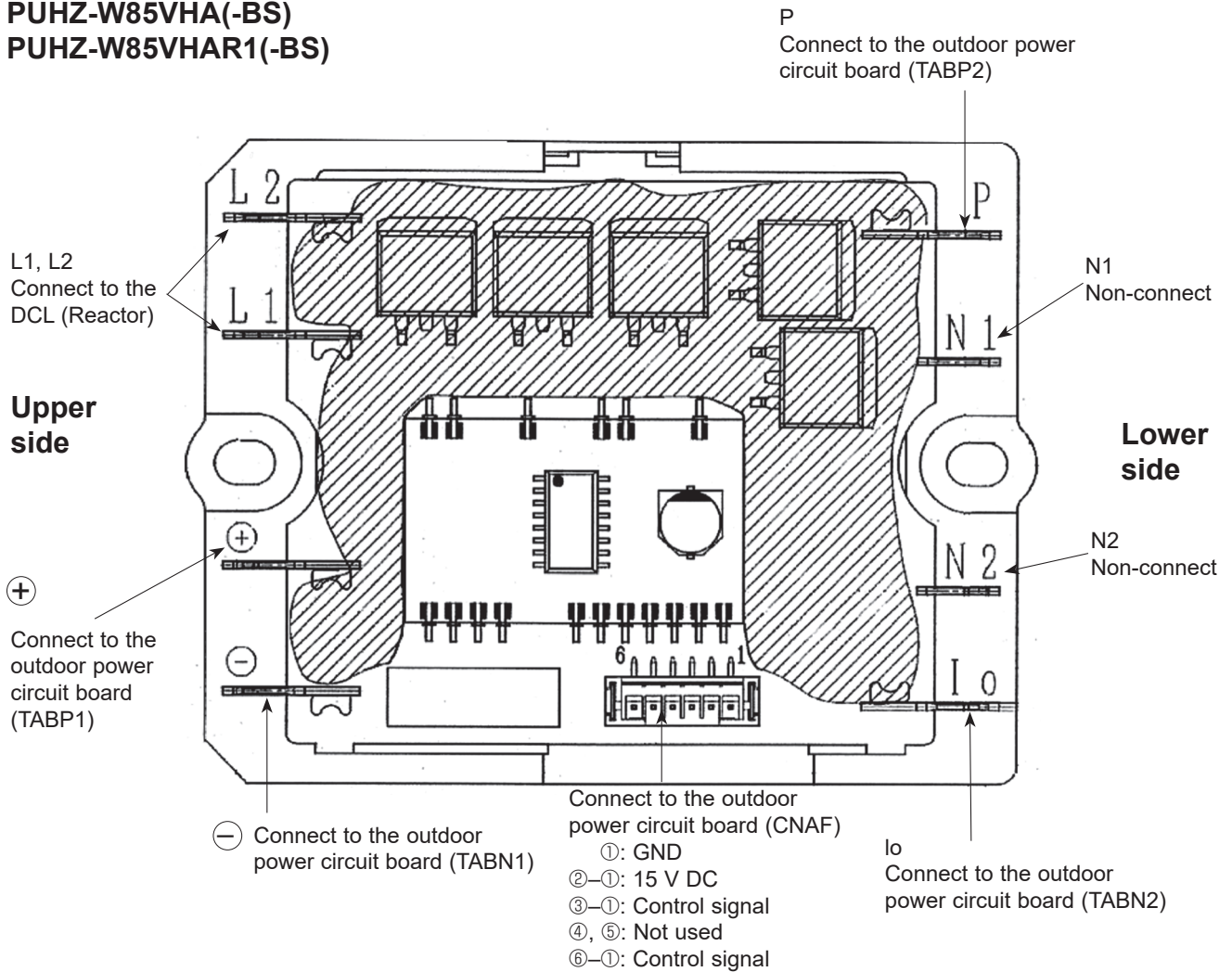


Outdoor converter circuit board
PUHZ-HW112YHA2R5(-BS)
PUHZ-HW112YHA2R6(-BS)
PUHZ-HW112YHA2R7(-BS)

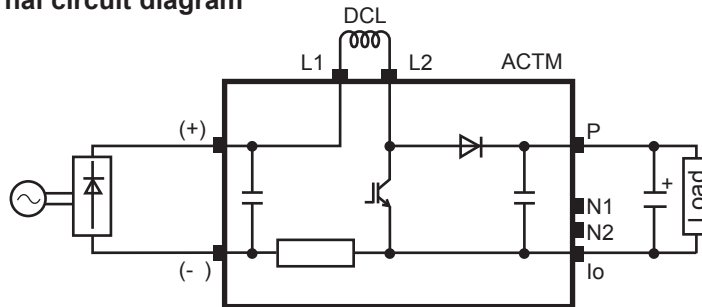
PUHZ-HW140YHA2R5(-BS)
PUHZ-HW140YHA2R6(-BS)
PUHZ-HW140YHA2R7(-BS)



Active filter module
PUHZ-W85VHA(-BS)
PUHZ-W85VHAR1(-BS)



Connection and internal circuit diagram



Tester check points of Active filter module

	Error condition	Normal value (reference)	Symptom when the unit is in trouble
(-) and lo	open	less than 1Ω	① The unit does not operate (cannot be switched ON)
	short	100 kΩ to 1 MΩ	① The breaker operates
(-) and L2	open	*1	① The unit does not operate (cannot be switched ON) ②U9 Abnormal stop (*2)
	short	100 kΩ to 1 MΩ	① The breaker operates
P and L2	open	*1	① The unit does not operate (cannot be switched ON) ②U9 Abnormal stop (*2)
	short	100 kΩ to 1 MΩ	① The breaker operates
P and lo	open	*1	① The unit does not operate (cannot be switched ON) ②U9 Abnormal stop (*2)
	short	100 kΩ to 1 MΩ	① The breaker operates
L2 and lo	open	*1	① The unit does not operate (cannot be switched ON) ②U9 Abnormal stop (*2)
	short	100 kΩ to 1 MΩ	① The breaker operates

*1 The symptom when the unit is in open error condition is described to determine open error by tester check.

*2 SW2 setting

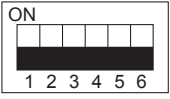
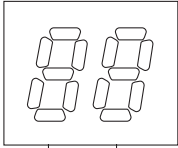
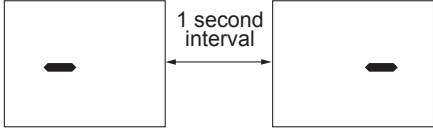
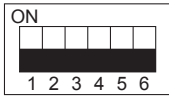
--	--	--	--	--	--

 ON OFF : Code "20" display

9-7. OUTDOOR UNIT OPERATION MONITOR FUNCTION

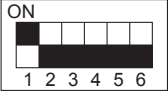
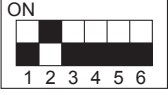
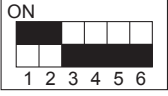
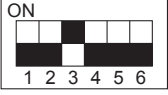
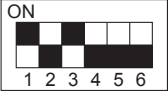
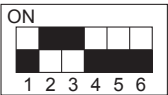
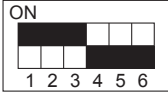
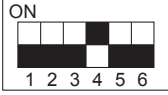
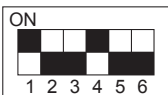

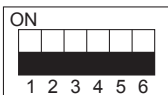
Operation indicator SW2: Indicator change of self-diagnosis

The black square (■) indicates a switch position.

SW2 setting	Display detail	Explanation for display	Unit																																																																	
	<p><Digital indicator LED3 working details> (Be sure that the 1 to 6 in the SW2 are set to OFF.)</p> <p>(1) Display when the power supply is ON. When the power supply is ON, blinking displays by turns. Wait for 10 seconds at the longest.</p> <p>(2) When the display lights (Normal operation)</p> <p>① Operation mode display</p> <div style="display: flex; align-items: center;"> <div style="text-align: center;"> <p>LED3</p>  </div> <div style="margin-left: 20px;"> <p>(Lighting)</p> </div> </div> <p>The tens digit: Operation mode</p> <table border="1" style="margin-left: 20px;"> <thead> <tr> <th>Display</th> <th>Operation Model</th> </tr> </thead> <tbody> <tr><td>O</td><td>OFF</td></tr> <tr><td>C</td><td>COOLING</td></tr> <tr><td>H</td><td>HEATING</td></tr> <tr><td>d</td><td>DEFROSTING</td></tr> </tbody> </table> <p>The ones digit: Relay output</p> <table border="1" style="margin-left: 20px;"> <thead> <tr> <th>Display</th> <th>Warming-up Compressor</th> <th>Compressor</th> <th>4-way valve</th> <th>Solenoid valve</th> </tr> </thead> <tbody> <tr><td>0</td><td>—</td><td>—</td><td>—</td><td>—</td></tr> <tr><td>1</td><td>—</td><td>—</td><td>—</td><td>ON</td></tr> <tr><td>2</td><td>—</td><td>—</td><td>ON</td><td>—</td></tr> <tr><td>3</td><td>—</td><td>—</td><td>ON</td><td>ON</td></tr> <tr><td>4</td><td>—</td><td>ON</td><td>—</td><td>—</td></tr> <tr><td>5</td><td>—</td><td>ON</td><td>—</td><td>ON</td></tr> <tr><td>6</td><td>—</td><td>ON</td><td>ON</td><td>—</td></tr> <tr><td>7</td><td>—</td><td>ON</td><td>ON</td><td>ON</td></tr> <tr><td>8</td><td>ON</td><td>—</td><td>—</td><td>—</td></tr> <tr><td>A</td><td>ON</td><td>—</td><td>ON</td><td>—</td></tr> </tbody> </table> <p>② Display during error postponement Postponement code is displayed when compressor stops due to the work of protection device. Postponement code is displayed while error is being postponed.</p>	Display	Operation Model	O	OFF	C	COOLING	H	HEATING	d	DEFROSTING	Display	Warming-up Compressor	Compressor	4-way valve	Solenoid valve	0	—	—	—	—	1	—	—	—	ON	2	—	—	ON	—	3	—	—	ON	ON	4	—	ON	—	—	5	—	ON	—	ON	6	—	ON	ON	—	7	—	ON	ON	ON	8	ON	—	—	—	A	ON	—	ON	—	 <p style="text-align: center;">SW2</p>  <p style="text-align: right;">(Initial setting)</p>	
Display	Operation Model																																																																			
O	OFF																																																																			
C	COOLING																																																																			
H	HEATING																																																																			
d	DEFROSTING																																																																			
Display	Warming-up Compressor	Compressor	4-way valve	Solenoid valve																																																																
0	—	—	—	—																																																																
1	—	—	—	ON																																																																
2	—	—	ON	—																																																																
3	—	—	ON	ON																																																																
4	—	ON	—	—																																																																
5	—	ON	—	ON																																																																
6	—	ON	ON	—																																																																
7	—	ON	ON	ON																																																																
8	ON	—	—	—																																																																
A	ON	—	ON	—																																																																
	<p>(3) When the display blinks Check code is displayed when compressor stops due to the work of protection devices.</p> <table border="1" style="margin-left: 20px;"> <thead> <tr> <th>Display</th> <th>Contents to be inspected (During operation)</th> </tr> </thead> <tbody> <tr><td>U1</td><td>Abnormal high pressure (63H operated)</td></tr> <tr><td>U2</td><td>Abnormal high discharging temperature, shortage of refrigerant</td></tr> <tr><td>U3</td><td>Open/short circuit of discharging thermistor (TH4, TH33^{*1}, TH34^{*2})</td></tr> <tr><td>U4</td><td>Open/short of outdoor unit thermistors (TH3, TH32, TH6, TH7, TH8 and TH33^{*3})</td></tr> <tr><td>U5</td><td>Abnormal temperature of HEAT SINK</td></tr> <tr><td>U6</td><td>Abnormality of power module</td></tr> <tr><td>U7</td><td>Abnormality of superheat due to low discharge temperature</td></tr> <tr><td>U8</td><td>Abnormality in outdoor fan motor</td></tr> <tr><td>U9</td><td>Voltage fault, Input current sensor error</td></tr> <tr><td>Ud</td><td>Overheat protection</td></tr> <tr><td>UF</td><td>Compressor overcurrent interruption (When Comp. locked)</td></tr> <tr><td>UH</td><td>Current sensor error</td></tr> <tr><td>UP</td><td>Compressor overcurrent interruption</td></tr> <tr><td>P6</td><td>Abnormality of Interface or FTC units</td></tr> <tr><td>P8</td><td>Abnormality of pipe temperature</td></tr> <tr><td>UE</td><td>Abnormality pressure of pressure sensor</td></tr> <tr><td>PE</td><td>Abnormality of inlet water temperature</td></tr> <tr><td>Ed</td><td>Serial communication error</td></tr> </tbody> </table>	Display	Contents to be inspected (During operation)	U1	Abnormal high pressure (63H operated)	U2	Abnormal high discharging temperature, shortage of refrigerant	U3	Open/short circuit of discharging thermistor (TH4, TH33 ^{*1} , TH34 ^{*2})	U4	Open/short of outdoor unit thermistors (TH3, TH32, TH6, TH7, TH8 and TH33 ^{*3})	U5	Abnormal temperature of HEAT SINK	U6	Abnormality of power module	U7	Abnormality of superheat due to low discharge temperature	U8	Abnormality in outdoor fan motor	U9	Voltage fault, Input current sensor error	Ud	Overheat protection	UF	Compressor overcurrent interruption (When Comp. locked)	UH	Current sensor error	UP	Compressor overcurrent interruption	P6	Abnormality of Interface or FTC units	P8	Abnormality of pipe temperature	UE	Abnormality pressure of pressure sensor	PE	Abnormality of inlet water temperature	Ed	Serial communication error																													
Display	Contents to be inspected (During operation)																																																																			
U1	Abnormal high pressure (63H operated)																																																																			
U2	Abnormal high discharging temperature, shortage of refrigerant																																																																			
U3	Open/short circuit of discharging thermistor (TH4, TH33 ^{*1} , TH34 ^{*2})																																																																			
U4	Open/short of outdoor unit thermistors (TH3, TH32, TH6, TH7, TH8 and TH33 ^{*3})																																																																			
U5	Abnormal temperature of HEAT SINK																																																																			
U6	Abnormality of power module																																																																			
U7	Abnormality of superheat due to low discharge temperature																																																																			
U8	Abnormality in outdoor fan motor																																																																			
U9	Voltage fault, Input current sensor error																																																																			
Ud	Overheat protection																																																																			
UF	Compressor overcurrent interruption (When Comp. locked)																																																																			
UH	Current sensor error																																																																			
UP	Compressor overcurrent interruption																																																																			
P6	Abnormality of Interface or FTC units																																																																			
P8	Abnormality of pipe temperature																																																																			
UE	Abnormality pressure of pressure sensor																																																																			
PE	Abnormality of inlet water temperature																																																																			
Ed	Serial communication error																																																																			
	<table border="1" style="margin-left: 20px;"> <thead> <tr> <th>Display</th> <th>Inspection unit</th> </tr> </thead> <tbody> <tr><td>0</td><td>Outdoor unit</td></tr> </tbody> </table>	Display	Inspection unit	0	Outdoor unit																																																															
Display	Inspection unit																																																																			
0	Outdoor unit																																																																			
	<table border="1" style="margin-left: 20px;"> <thead> <tr> <th>Display</th> <th>Contents to be inspected (When power is turned on)</th> </tr> </thead> <tbody> <tr><td>F5</td><td>63H connector(yellow) is open.</td></tr> <tr><td>E8</td><td>Interface unit/Flow temp. controller-outdoor communication error (Signal receiving error) (Outdoor unit)</td></tr> <tr><td>E9</td><td>Interface unit/Flow temp. controller-outdoor communication error (Transmitting error) (Outdoor unit)</td></tr> <tr><td>EA</td><td>Miswiring of Interface unit/Flow temp. controller-outdoor unit connecting wire, excessive number of indoor units (2 units or more)</td></tr> <tr><td>Eb</td><td>Miswiring of Interface unit/Flow temp. controller-outdoor unit connecting wire (reverse wiring or disconnection)</td></tr> <tr><td>EC</td><td>Startup time over</td></tr> <tr><td>E0-E7</td><td>Communication error except for outdoor unit</td></tr> </tbody> </table>	Display	Contents to be inspected (When power is turned on)	F5	63H connector(yellow) is open.	E8	Interface unit/Flow temp. controller-outdoor communication error (Signal receiving error) (Outdoor unit)	E9	Interface unit/Flow temp. controller-outdoor communication error (Transmitting error) (Outdoor unit)	EA	Miswiring of Interface unit/Flow temp. controller-outdoor unit connecting wire, excessive number of indoor units (2 units or more)	Eb	Miswiring of Interface unit/Flow temp. controller-outdoor unit connecting wire (reverse wiring or disconnection)	EC	Startup time over	E0-E7	Communication error except for outdoor unit																																																			
Display	Contents to be inspected (When power is turned on)																																																																			
F5	63H connector(yellow) is open.																																																																			
E8	Interface unit/Flow temp. controller-outdoor communication error (Signal receiving error) (Outdoor unit)																																																																			
E9	Interface unit/Flow temp. controller-outdoor communication error (Transmitting error) (Outdoor unit)																																																																			
EA	Miswiring of Interface unit/Flow temp. controller-outdoor unit connecting wire, excessive number of indoor units (2 units or more)																																																																			
Eb	Miswiring of Interface unit/Flow temp. controller-outdoor unit connecting wire (reverse wiring or disconnection)																																																																			
EC	Startup time over																																																																			
E0-E7	Communication error except for outdoor unit																																																																			

^{*1} For W50/85VHAR1 models.
^{*2} For HW•HA2R3-R7 models.
^{*3} For HW models.

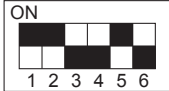



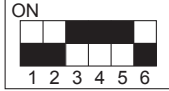
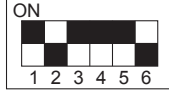
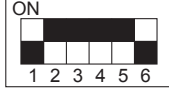
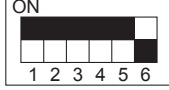
The black square (■) indicates a switch position.

SW2 setting	Display detail	Explanation for display	Unit
	Pipe temperature/Liquid (TH3) -40 to 90	-40 to 90 (When the coil thermistor detects 0°C or below, “-” and temperature are displayed by turns.) (Example) When -10°C; 0.5 s 0.5 s 2 s -□ →10 →□□	°C
	Discharge temperature (TH4) 3 to 217	3 to 217 (When the discharge thermistor detects 100°C or more, hundreds digit, tens digit and ones digit are displayed by turns.) (Example) When 105°C; 0.5 s 0.5 s 2 s □1 →05 →□□	°C
	Fan steps 0 to 10	0 to 10	Step
	Compressor ON/OFF 0 to 9999	0 to 9999 (When the number of times is 100 or more, hundreds digit, tens digit and ones digit are displayed by turns.) (Example) When 42500 times (425 × 100 times); 0.5 s 0.5 s 2 s □4 →25 →□□	100 times
	Compressor accumulated operation hours 0 to 9999	0 to 9999 (When it is 100 hours or more, hundreds digit, tens digit and ones digit are displayed by turns.) (Example) When 2450 hours (245 × 10 hours); 0.5 s 0.5 s 2 s □2 →45 →□□	10 hours
	Compressor running current 0 to 50	0 to 50 Note: Value after the decimal point will be truncated.	A
	Compressor running frequency 0 to 255	0 to 255 (When it is 100 Hz or more, hundreds digit, tens digit and ones digit are displayed by turns.) (Example) When 105 Hz; 0.5 s 0.5 s 2 s □1 →05 →□□	Hz
	LEV-A opening pulse 0 to 500	0 to 500 (When it is 100 pulse or more, hundreds digit, tens digit and ones digit are displayed by turns.) (Example) When 150 pulse; 0.5 s 0.5 s 2 s □1 →50 →□□	Pulse
	Deferred error history (1)	Deferred error Blinking: being deferred Lighting: deferment is cancelled “00” is displayed in case of no deferment	Code display
	Operation mode when the error occurred	Operation mode when the unit is stopped due to an error is displayed. The displayed code is when the SW2 is set as below. (SW2) 	Code display

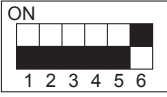
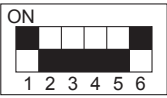
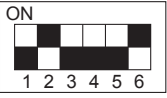
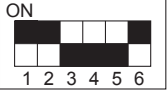
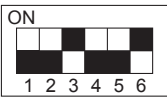
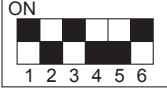
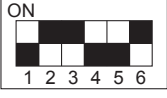
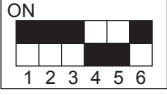
The black square (■) indicates a switch position.

SW2 setting	Display detail	Explanation for display	Unit										
	Pipe temperature/Liquid (TH3) when error occurred -40 to 90	-40 to 90 (When the coil thermistor detects 0°C or below, “-” and temperature are displayed by turns.) (Example) When -15°C; 0.5 s 0.5 s 2 s -□ → 15 → □□ ↑	°C										
	Discharge temperature (TH4) when error occurred 3 to 217	3 to 217 (When the temperature is 100°C or more, the hundreds digit, tens digit and ones digit are displayed by turns.) (Example) When 130°C; 0.5 s 0.5 s 2 s □1 → 30 → □□ ↑	°C										
	Compressor current when error occurred 0 to 50	0 to 50	A										
	Error history (1) (latest) Alternate display of faulty unit number and check code	When no error history, “0” and “-” are displayed by turns.	Code display										
	Error history (2) Alternate display of faulty unit number and check code	When no error history, “0” and “-” are displayed by turns.	Code display										
	Compressor operation duration 0 to 999	0 to 999 (When it is 100 minutes or more, the hundreds digit, tens digit and ones digit are displayed by turns.) (Example) When 245 minutes; 0.5 s 0.5 s 2 s □2 → 45 → □□ ↑	Minute										
	LEV-B opening when error occurred	0 to 500 (When it is 100 pulse or more, hundreds digit, tens digit and ones digit are displayed by turns.) (Example) When 150 pulse; 0.5 s 0.5 s 2 s □1 → 50 → □□ ↑	Pulse										
	Capacity settings	The outdoor capacity code is shown as below. <table border="1" style="margin-left: auto; margin-right: auto;"> <thead> <tr> <th>Model</th> <th>Code</th> </tr> </thead> <tbody> <tr> <td>PUHZ-W50</td> <td>10</td> </tr> <tr> <td>PUHZ-W85</td> <td>14</td> </tr> <tr> <td>PUHZ-HW112</td> <td>20</td> </tr> <tr> <td>PUHZ-HW140</td> <td>25</td> </tr> </tbody> </table>	Model	Code	PUHZ-W50	10	PUHZ-W85	14	PUHZ-HW112	20	PUHZ-HW140	25	Code display
Model	Code												
PUHZ-W50	10												
PUHZ-W85	14												
PUHZ-HW112	20												
PUHZ-HW140	25												

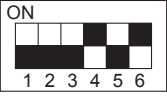
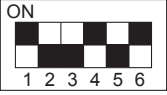
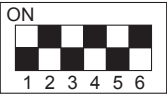

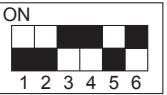

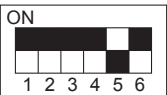
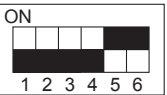
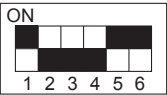
The black square (■) indicates a switch position.

SW2 setting	Display detail	Explanation for display	Unit										
	Outdoor unit setting information	<ul style="list-style-type: none"> The tens digit (Total display for applied setting) <table border="1"> <thead> <tr> <th>Setting details</th> <th>Display details</th> </tr> </thead> <tbody> <tr> <td>H·P/Cooling only</td> <td>0: H·P 1: Cooling only</td> </tr> <tr> <td>Single phase/3 phase</td> <td>0: Single phase 2: 3 phase</td> </tr> </tbody> </table> <ul style="list-style-type: none"> The ones digit <table border="1"> <thead> <tr> <th>Setting details</th> <th>Display details</th> </tr> </thead> <tbody> <tr> <td>Defrosting switch</td> <td>0: Normal 1: For high humidity</td> </tr> </tbody> </table> <p>(Example) When heat pump, 3 phase and defrosting (normal) are set up, "20" is displayed.</p>	Setting details	Display details	H·P/Cooling only	0: H·P 1: Cooling only	Single phase/3 phase	0: Single phase 2: 3 phase	Setting details	Display details	Defrosting switch	0: Normal 1: For high humidity	Code display
Setting details	Display details												
H·P/Cooling only	0: H·P 1: Cooling only												
Single phase/3 phase	0: Single phase 2: 3 phase												
Setting details	Display details												
Defrosting switch	0: Normal 1: For high humidity												
	Plate HEX liquid pipe temperature (TH6) -39 to 88	-39 to 88 (When the temperature is 0°C or less, "-" and temperature are displayed by turns.)	°C										
	Condensing temperature (T _{63HS}) -39 to 88	-39 to 88 (When the temperature is 0°C or less, "-" and temperature are displayed by turns.)	°C										
	Calculated maximum frequency 0 to 150	0 to 150 (When it is 100 Hz or more, hundreds digit, tens digit and ones digit are displayed by turns.) (Example) When 105 Hz; <div style="text-align: center;"> <table style="margin: auto;"> <tr> <td style="padding: 0 10px;">0.5 s</td> <td style="padding: 0 10px;">0.5 s</td> <td style="padding: 0 10px;">2 s</td> </tr> <tr> <td style="text-align: center;">□1</td> <td style="text-align: center;">→05</td> <td style="text-align: center;">→□□</td> </tr> <tr> <td style="text-align: center;">↑</td> <td colspan="2" style="text-align: center;">└──────────┘</td> </tr> </table> </div>	0.5 s	0.5 s	2 s	□1	→05	→□□	↑	└──────────┘		Hz	
0.5 s	0.5 s	2 s											
□1	→05	→□□											
↑	└──────────┘												
	Water inlet temperature (TH32) 0 to 100	0 to 100	°C										
	Ambient temperature (TH7) -39 to 88	-39 to 88 (When the temperature is 0°C or less, "-" and temperature are displayed by turns.)	°C										
	Outdoor HEAT SINK temperature (TH8) -40 to 200	-40 to 200 (When the temperature is 0°C or less, "-" and temperature are displayed by turns.) (When the thermistor detects 100°C or more, hundreds digit, tens digit and ones digit are displayed by turns.)	°C										
	Discharge superheat (SHd) 0 to 255 [Cooling and Heating: SHd = TH4 - T _{63HS}]	0 to 255 (When the SHd is 100°C or more, hundreds digit, tens digit and ones digit are displayed by turns.)	°C										

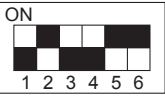
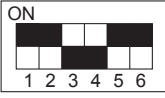
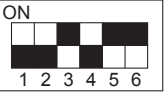

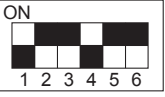

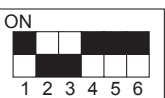

The black square (■) indicates a switch position.

SW2 setting	Display detail	Explanation for display	Unit																						
	Sub cool (SC) 0 to 130 [Cooling: SC = T _{63HS} -TH3 Heating: SC = T _{63HS} -TH6]	0 to 130 (When the SC is 100°C or more, hundreds digit, tens digit and ones digit are displayed by turns.)	°C																						
	<From 17U***** (unit No.) onward> Number of defrost cycles 0 to FFFE	0 to FFFE (in hexadecimal notation) (When more than FF in hex (255 in decimal), the number is displayed in order of 16 ³ 's and 16 ² 's, and 16 ¹ 's and 16 ⁰ 's places. (Example) When 5000 cycles; 0.5 s 0.5 s 2 s □9 → C4 → □□	2 cycles																						
	Input current of outdoor unit 0 to 500	0 to 500 (When it is 100 or more, hundreds digit, tens digit and ones digit are displayed by turns.)	0.1 A																						
	LEV-B opening pulse 0 to 500	0 to 500 (When it is 100 pulse or more, hundreds digit, tens digit and ones digit are displayed by turns.)	Pulse																						
	U9 error detail history (latest)	<table border="1" data-bbox="758 987 1316 1279"> <thead> <tr> <th>Description</th> <th>Display</th> </tr> </thead> <tbody> <tr> <td>Normal</td> <td>00</td> </tr> <tr> <td>Overvoltage error</td> <td>01</td> </tr> <tr> <td>Undervoltage error</td> <td>02</td> </tr> <tr> <td>Input current sensor error</td> <td>04</td> </tr> <tr> <td>L1-phase open error</td> <td>04</td> </tr> <tr> <td>Abnormal power synchronous signal</td> <td>08</td> </tr> <tr> <td>PFC error (W50V)</td> <td>10</td> </tr> <tr> <td>(Overvoltage/Undervoltage/Overcurrent)</td> <td>10</td> </tr> <tr> <td>PFC/ATCM/IGBT error (W50-85V/HW140V)</td> <td>20</td> </tr> <tr> <td>Undervoltage</td> <td>20</td> </tr> </tbody> </table> <p>• Display examples for multiple errors: Overvoltage (01) + Undervoltage (02) = 03 Undervoltage (02) + Power-sync signal error (08) = 0A L1 phase open error (04) + PFC/ATCM/IGBT error (20) = 24</p>	Description	Display	Normal	00	Overvoltage error	01	Undervoltage error	02	Input current sensor error	04	L1-phase open error	04	Abnormal power synchronous signal	08	PFC error (W50V)	10	(Overvoltage/Undervoltage/Overcurrent)	10	PFC/ATCM/IGBT error (W50-85V/HW140V)	20	Undervoltage	20	Code display
Description	Display																								
Normal	00																								
Overvoltage error	01																								
Undervoltage error	02																								
Input current sensor error	04																								
L1-phase open error	04																								
Abnormal power synchronous signal	08																								
PFC error (W50V)	10																								
(Overvoltage/Undervoltage/Overcurrent)	10																								
PFC/ATCM/IGBT error (W50-85V/HW140V)	20																								
Undervoltage	20																								
	Direct current bus voltage 150 to 400 (W50/85V, HW140V) 300 to 750 (HW112/140Y)	150 to 400 (W50/85V, HW140V) 300 to 750 (HW112/140Y) (When it is 100 V or more, hundreds digit, tens digit and ones digit are displayed by turns.)	V																						
	Capacity save 0 to 100 [When there is no setting of capacity save, "100" is displayed.]	0 to 100 (When the capacity is 100%, hundreds digit, tens digit and ones digit are displayed by turns.) (Example) When 100%; 0.5 s 0.5 s 2 s □1 → 00 → □□	%																						
	Deferred error history (2) of outdoor unit	Deferred check code display Blinking: being deferred Lighting: deferment is cancelled "00" is displayed in case of no deferment.	Code display																						
	Deferred error history (3) of outdoor unit	Deferred check code display Blinking: being deferred Lighting: deferment is cancelled "00" is displayed in case of no deferment.	Code display																						

The black square (■) indicates a switch position.

SW2 setting	Display detail	Explanation for display	Unit
	Error history (3) (Oldest) Faulty unit number and check code are displayed alternately.	When no error history, "0" and "--" are displayed by turns.	Code display
	Error thermistor display [When there is no error thermistor, "--" is displayed.]	3: Liquid pipe thermistor (TH3) 3: Water inlet temp. thermistor (TH32) 6: Plate HEX liquid pipe thermistor (TH6) 7: Ambient temp. thermistor (TH7) 8: HEAT SINK thermistor (TH8) 4: Discharge thermistor (TH4) 33: Comp. surface thermistor (TH33) (for W50VHA(R1, R2, R3)/W85VHAR1) 3: Suction pipe thermistor (TH33) (for HW112/140) 34: Comp. surface thermistor (TH34) (for HW-HA2R3-R7)	Code display
	Operation frequency when error occurred. 0 to 225	0 to 225 (When it is 100 Hz or more, hundreds digit, tens digit and ones digit are displayed by turns.) (Example) When 105 Hz; 0.5 s 0.5 s 2 s □1 →05 →□□	Hz
	Fan step when error occurred. 0 to 10	0 to 10	Step
	LEV-A opening pulse when error occurred. 0 to 500	0 to 500 (When it is 100 pulse or more, hundreds digit, tens digit and ones digit are displayed by turns.) (Example) When 130 pulse; 0.5 s 0.5 s 2 s □1 →30 →□□	Pulse
	Plate HEX liquid pipe temperature (TH6) when error occurred. -39 to 88	-39 to 88 (When the temperature is 0°C or less, "--" and temperature are displayed by turns.) (Example) When -15°C; 0.5 s 0.5 s 2 s -□ →15 →□□	°C
	Condensing temperature when error occurred. -39 to 88	-39 to 88 (When the temperature is 0°C or less, "--" and temperature are displayed by turns.) (Example) When -15°C; 0.5 s 0.5 s 2 s -□ →15 →□□	°C
	Water inlet temperature (TH32) when error occurred. 0 to 100	0 to 100	°C
	Ambient temperature (TH7) when error occurred. -39 to 88	-39 to 88 (When the temperature is 0°C or less, "--" and temperature are displayed by turns.) (Example) When -15°C; 0.5 s 0.5 s 2 s -□ →15 →□□	°C

The black square (■) indicates a switch position.

SW2 setting	Display detail	Explanation for display	Unit																
	Outdoor HEAT SINK temperature (TH8) when error occurred. -40 to 200	-40 to 200 (When the temperature is 0°C or less, “-” and temperature are displayed by turns.) (When the temperature is 100°C or more, hundreds digit, tens digit and ones digit are displayed by turns.)	°C																
	Discharge superheat (SHd) when error occurred. 0 to 255 [Cooling and Heating: SHd=TH4-T _{63HS}]	0 to 255 (When the temperature is 100°C or more, hundreds digit, tens digit and ones digit are displayed by turns.) (Example) When 150°C; 0.5 s 0.5 s 2 s □1 → 50 → □□	°C																
	Sub cool (SC) when error occurred. 0 to 130 [Cooling: SC = T _{63HS} -TH3] [Heating: SC = T _{63HS} -TH6]	0 to 130 (When the temperature is 100°C or more, hundreds digit, tens digit and ones digit are displayed by turns.) (Example) When 115°C; 0.5 s 0.5 s 2 s □1 → 15 → □□	°C																
	Compressor operation duration before the unit stops with error 0 to 999	0 to 999 (When it is 100 minutes or more, hundreds digit, tens digit and ones digit are displayed by turns.) (Example) When 415 minutes; 0.5 s 0.5 s 2 s □4 → 15 → □□	Minute																
	Maximum frequency when error occurred 0 to 150	0 to 150 (When it is 100 Hz or more, hundreds digit, tens digit and ones digit are displayed by turns.) (Example) When 105 Hz; 0.5 s 0.5 s 2 s □1 → 05 → □□	Hz																
	Requested capacity step when error occurred 0 to 7	0 to 7	Step																
	Compressor frequency control status	The following code will be a help to know the operating status of unit. •Tens place: <table border="1" data-bbox="794 1686 1254 1776"> <tr><td>Display</td><td>Compressor frequency control</td></tr> <tr><td>1</td><td>Input current restriction control</td></tr> <tr><td>2</td><td>Compressor current restriction control</td></tr> </table> •Ones place (Total figure of the corresponding relays are displayed.) <table border="1" data-bbox="802 1850 1297 1995"> <tr><td>Display</td><td>Compressor frequency control</td></tr> <tr><td>1</td><td>Discharge temp. control(not to over rise).</td></tr> <tr><td>2</td><td>Condensing temp. control(not to over rise).</td></tr> <tr><td>4</td><td>Freezing protection control</td></tr> <tr><td>8</td><td>Heat sink temp. control(not to over rise).</td></tr> </table> When the following 3 points are under control; LED (1) Input current restriction control. (2) Condensing temp. control (not to over rise). (3) Heat sink temp. control (not to over rise). 	Display	Compressor frequency control	1	Input current restriction control	2	Compressor current restriction control	Display	Compressor frequency control	1	Discharge temp. control(not to over rise).	2	Condensing temp. control(not to over rise).	4	Freezing protection control	8	Heat sink temp. control(not to over rise).	Code display
Display	Compressor frequency control																		
1	Input current restriction control																		
2	Compressor current restriction control																		
Display	Compressor frequency control																		
1	Discharge temp. control(not to over rise).																		
2	Condensing temp. control(not to over rise).																		
4	Freezing protection control																		
8	Heat sink temp. control(not to over rise).																		

Data Sheet for Air to Water Packaged type

Applicable model: _____
Date: _____

Model name: [Serial No.: _____] 1: ON / 0: OFF

Operation Data	SW2 setting					
	1	2	3	4	5	6
Inlet/Outlet water temperature	/	/	/	/	/	/
Outdoor Inlet/Outlet Air temperature	/	/	/	/	/	/
Discharge/Suction temperature	/	/	/	/	/	/
Discharge/Suction pressure	/	/	/	/	/	/
Power supply Voltage/Frequency (V / Hz)	/	/	/	/	/	/
Water flow Volume (L/min)	/	/	/	/	/	/
Inlet water temp.	[TH32]	0	0	1	1	1
Plate HEX liquid pipe temp.	[TH6]	0	0	1	0	1
Condensing temp.	[T _{63HS}]	1	0	1	0	1
Ambient temp.	[TH7]	1	0	1	1	0
Compressor running frequency (Hz)	(Hz)	1	1	0	0	0
Fan steps (Step)	(Step)	1	1	0	0	0
Liquid pipe temp.	[TH3]	1	0	0	0	0
Discharge temp.	[TH4]	0	1	0	0	0
LEV-A opening pulse	[LEV-A]	0	0	1	0	0
LEV-B opening pulse	[LEV-B]	0	1	0	0	1
LEV-C opening pulse (HW type only)	[LEV-C]	0	0	1	1	1
Requested capacity step	[Q _{STEP}]	1	0	1	1	1
Comp. surface temp. (W type only)	[TH34]	0	1	1	1	1
Suction temp. (HW type only)	[TH33]	0	1	0	1	1
Heat sink temp.	[TH8]	0	1	1	1	0
Discharge Super Heat	[SHd]	1	1	1	1	0
Calculated max. frequency (Hz)	(Hz)	1	1	0	1	0
Compressor operation duration (Min)	(Min)	0	0	0	1	0
Sub Cool	[SC]	0	0	0	0	1
Demand capacity (%)	(%)	1	0	1	0	1
Direct current bus line voltage (V)	(V)	0	0	1	0	1
Compressor running current (A)	(A)	0	1	0	0	0
Input current (0.1A)	(0.1A)	1	0	0	0	1
Compressor frequency control status *	status *	1	0	0	1	1
Temperature differential code [ΔTj]	[ΔTj]	0	0	0	1	1

Model name: [Serial No.: _____] 1: ON / 0: OFF

Recorded operation status	SW2 setting					
	1	2	3	4	5	6
Operation mode when the error occurred (Mode)	0	1	0	1	0	0
Error history (1) [Latest] (Code)	0	1	1	1	0	0
Error history (2) (Code)	1	1	1	1	0	0
Error history (3) [Oldest] (Code)	0	0	1	0	1	1
Deferred error history (1) (Code)	1	0	1	0	0	0
Deferred error history (2) (Code)	0	1	1	0	0	1
Deferred error history (3) (Code)	1	1	0	0	1	1
Condensing temp. [T _{63HS}]	1	1	1	1	0	1
Plate HEX liquid pipe temp. [TH6]	0	1	1	1	0	1
Compressor running frequency (Hz)	0	1	0	1	0	1
Fan steps (Step)	1	1	0	1	0	1
Liquid pipe temp. [TH3]	1	1	0	1	0	0
Discharge temp. [TH4]	0	0	1	1	0	0
LEV-A opening pulse [LEV-A]	0	0	1	1	0	1
LEV-B opening pulse [LEV-B]	1	0	0	1	0	1
Ambient temp. [TH7]	1	0	0	1	1	1
Water inlet temp. [TH32]	0	0	0	1	1	1
Heat sink temp. [TH8]	0	1	0	1	1	1
Calculated max. frequency (Hz)	0	1	0	1	1	1
Sub Cool [SC]	0	0	1	0	1	1
Compressor operation duration (Min)	(Min)	1	0	1	0	1
Requested capacity step [Q _{STEP}]	[Q _{STEP}]	1	1	0	1	1
Discharge Super Heat [SHd]	[SHd]	1	1	0	1	1
Compressor running current (A)	(A)	1	0	1	0	1
Capacity setting (Code)	(Code)	0	1	0	1	0
Compressor ON/OFF (x100)	(x100)	0	0	1	0	0
Compressor accumulated operation hours (x10hours)	(x10hours)	1	0	1	0	0
U9 error detail history (latest) (Code)	(Code)	1	1	0	0	1
Check sum (Code)	(Code)	1	1	0	1	1

* 10s digit 1: Input current restriction control 1s digit 1: Discharge temp. control 4: Freeze protection control
2: Compressor current restriction control 2: Condensing temp. control 8: Heat sink temp. control

9-8. FUNCTION OF SWITCHES

PUHZ-W50VHA(-BS) PUHZ-W85VHA(-BS)
 PUHZ-W50VHAR1(-BS) PUHZ-W85VHAR1(-BS)
 PUHZ-W50VHAR2(-BS)
 PUHZ-W50VHAR3(-BS)

Switch		Function	Selection		Default setting	Function details	Effective timing (SW1, 8)/ Note (SW6)																																															
Mark	No.		ON (with)	OFF (without)																																																		
SW1	1	Manual defrost	ON to start	Usual setting	OFF	Switch ON to force defrosting	When compressor is working in heating mode.*1																																															
	2	To clear error history	ON to clear	Usual setting	OFF	Switch ON to clear (erase) the following: (1) Check codes and Suspension flags in RAM (2) Check codes and Suspension flags in EEPROM	Off or operating																																															
	3	No function	Do NOT use	PUHZ-W50,85VHA	OFF	-	-																																															
	4	No function	Do NOT use	PUHZ-W50,85VHA	OFF																																																	
	5	No function	Do NOT use	PUHZ-W50,85VHA	OFF																																																	
	6	No function	Do NOT use	PUHZ-W50,85VHA	OFF																																																	
SW5	1	Max. fan step selection	STEP 9	STEP 8	OFF	Selection of max. fan step at the silent mode	Always																																															
	2	Max. frequency selection	Middle level	Low level	OFF	Selection of max. compressor frequency at the silent mode	Always																																															
	3	No function	Do NOT use	PUHZ-W50,85VHA	OFF	-	-																																															
	4	Model setting 3	-	-	Refer to the table of SW6																																																	
SW6	1	Model Setting 1	Do NOT use	PUHZ-W50,85VHA	OFF	PCB may be damaged, if switch is ON.	ON for other models																																															
	2	Defrost control selection	For high humidity	Standard	OFF	Switches to optimal defrosting operation for low-temperature and high-humidity regions.	-																																															
	3-6	Model Setting 2	<table border="1"> <thead> <tr> <th rowspan="2">Model</th> <th colspan="2">SW5</th> <th colspan="3">SW6</th> <th colspan="2">SW10</th> </tr> <tr> <th>4</th> <th>3</th> <th>4</th> <th>5</th> <th>6</th> <th>1</th> <th>2</th> </tr> </thead> <tbody> <tr> <td>W50VHA W50VHAR1</td> <td>0</td> <td>1</td> <td>1</td> <td>0</td> <td>0</td> <td>0</td> <td>1</td> </tr> <tr> <td>W50VHAR2 W50VHAR3</td> <td>1</td> <td>1</td> <td>1</td> <td>0</td> <td>0</td> <td>0</td> <td>1</td> </tr> <tr> <td>W85VHA</td> <td>0</td> <td>1</td> <td>0</td> <td>1</td> <td>0</td> <td>0</td> <td>0</td> </tr> <tr> <td>W85VHAR1</td> <td>0</td> <td>1</td> <td>0</td> <td>1</td> <td>0</td> <td>0</td> <td>1</td> </tr> </tbody> </table>				Model	SW5		SW6			SW10		4	3	4	5	6	1	2	W50VHA W50VHAR1	0	1	1	0	0	0	1	W50VHAR2 W50VHAR3	1	1	1	0	0	0	1	W85VHA	0	1	0	1	0	0	0	W85VHAR1	0	1	0	1	0	0	1	As shown in the left table
Model	SW5		SW6			SW10																																																
	4		3	4	5	6	1	2																																														
W50VHA W50VHAR1	0		1	1	0	0	0	1																																														
W50VHAR2 W50VHAR3	1		1	1	0	0	0	1																																														
W85VHA	0	1	0	1	0	0	0																																															
W85VHAR1	0	1	0	1	0	0	1																																															
SW10	1,2	1=ON, 0=OFF																																																				
SW8	1	Mode selection	Energy saving mode	Powerful mode	OFF	-	Always																																															
	2	No function	Do NOT use	PUHZ-W50,85VHA	OFF	-	-																																															
	3	Separate Interface/Flow temp. controller-outdoor unit power supplies	Separate power supply	Outdoor unit power supply	OFF	Power supply connection method selection	When power supply ON																																															

<Important Note>

All these DIP switches on PUHZ-W50,85VHA are set as shown above.

Spare PCBs, however, will be supplied without any settings, which means that all DIP switches are switched OFF.

When servicing, please make sure to set all switches correctly, referring to the previous PCB which is removed from the unit.

*1. Manual defrost should be done as follows.

① Change the DIP SW1-1 on the outdoor controller board from OFF to ON.

② Manual defrost will start by the above operation ① if these conditions written below are satisfied.

- Heat mode setting
- 10 minutes have passed since compressor starts operating or previous manual defrost is finished.
- Pipe temperature is less than or equal to 8°C.

Manual defrost will finish if certain conditions have been satisfied.

Manual defrost can be done if above conditions have been satisfied when DIP SW1-1 is changed from OFF to ON.

After DIP SW1-1 is changed from OFF to ON, there is no problem if DIP SW1-1 is left ON or changed to OFF again.

This depends on the service conditions.

PUHZ-HW112YHA(-BS)
 PUHZ-HW112YHA2(-BS)
 PUHZ-HW112YHA2R1(-BS)
 PUHZ-HW112YHA2R3(-BS)
 PUHZ-HW112YHA2R4(-BS)
 PUHZ-HW112YHA2R5(-BS)
 PUHZ-HW112YHA2R6(-BS)
 PUHZ-HW112YHA2R7(-BS)

PUHZ-HW140VHA(-BS)
 PUHZ-HW140VHA2(-BS)
 PUHZ-HW140VHA2R1(-BS)
 PUHZ-HW140VHA2R2-BS
 PUHZ-HW140VHA2R3(-BS)
 PUHZ-HW140VHA2R4(-BS)
 PUHZ-HW140VHA2R5(-BS)
 PUHZ-HW140VHA2R6(-BS)
 PUHZ-HW140VHA2R7(-BS)

PUHZ-HW140YHA(-BS)
 PUHZ-HW140YHA2(-BS)
 PUHZ-HW140YHA2R1(-BS)
 PUHZ-HW140YHA2R3(-BS)
 PUHZ-HW140YHA2R4(-BS)
 PUHZ-HW140YHA2R5(-BS)
 PUHZ-HW140YHA2R6(-BS)
 PUHZ-HW140YHA2R7(-BS)

Switch	Mark	No.	Function	Selection		Default setting	Function details	Effective timing*1																							
				ON (with)	OFF (without)																										
SW1		1	Manual defrost	ON to start	usual setting	OFF	Switch ON to force defrosting	Always																							
		2	To clear error history	ON to clear	usual setting	OFF	Switch ON to clear (erase) the following status: (1)Check codes and Suspension flags in RAM (2)Check codes and Suspension flags in EEPROM	Always																							
		3	No function	-	-	OFF	-	Always																							
		4	Abnormal disregard	Disregard	Normal	OFF	Check code (P8,UH): Abnormal detection disregard																								
		5	No function	-	-	OFF	-																								
		6	No function	-	-	OFF	-																								
SW4*2		1-2	No function	-	-	OFF	-	-																							
SW5		1	Silent setting (FAN)	Silent setting (FAN)	usual setting	OFF	Fan speed setting in silent mode	Always																							
		2	Silent setting (Hz)	Silent setting (Hz)	usual setting	OFF	Hz setting in silent mode																								
		3	No function	-	-	OFF	-	-																							
		4	No function	-	-	OFF	-	-																							
		5	Defrost control selection	For high humidity	Standard	OFF	Switches to optimal defrosting operation for low-temperature and high-humidity regions.	-																							
		6	No function	-	-	OFF	-	-																							
SW6		1-3	Model Setting	<table border="1"> <thead> <tr> <th rowspan="2">Model</th> <th colspan="3">SW6</th> </tr> <tr> <th>1</th> <th>2</th> <th>3</th> </tr> </thead> <tbody> <tr> <td>HW•HA</td> <td>0</td> <td>0</td> <td>0</td> </tr> <tr> <td>HW•HA2</td> <td>1</td> <td>0</td> <td>0</td> </tr> <tr> <td>HW•HA2R3/R4</td> <td>1</td> <td>1</td> <td>0</td> </tr> <tr> <td>HW•HA2R5/R6/R7</td> <td>0</td> <td>1</td> <td>1</td> </tr> </tbody> </table>		Model	SW6			1	2	3	HW•HA	0	0	0	HW•HA2	1	0	0	HW•HA2R3/R4	1	1	0	HW•HA2R5/R6/R7	0	1	1	As shown in the left table	-	-
				Model	SW6																										
					1	2	3																								
HW•HA	0			0	0																										
HW•HA2	1	0	0																												
HW•HA2R3/R4	1	1	0																												
HW•HA2R5/R6/R7	0	1	1																												
4	Single phase/ 3 phase	3 phase	Single phase	HW112/140Y: ON HW140V: OFF	-	-																									
5-8	Model Setting 2	<table border="1"> <thead> <tr> <th rowspan="2">Model</th> <th colspan="4">SW6</th> </tr> <tr> <th>5</th> <th>6</th> <th>7</th> <th>8</th> </tr> </thead> <tbody> <tr> <td>HW112</td> <td>0</td> <td>1</td> <td>1</td> <td>0</td> </tr> <tr> <td>HW140</td> <td>1</td> <td>1</td> <td>1</td> <td>0</td> </tr> </tbody> </table>		Model	SW6				5	6	7	8	HW112	0	1	1	0	HW140	1	1	1	0	As shown in the left table	Make sure to set SW6-5 to 8 correctly	-						
		Model	SW6																												
5	6		7	8																											
HW112	0	1	1	0																											
HW140	1	1	1	0																											
1=ON, 0=OFF																															
SW7*3		1	Starting Ambient temp. of blink injection (HW•HA2)	Ambient temp. of ZUBADAN Flash injection becomes effective.		OFF	-	Always																							
				<table border="1"> <thead> <tr> <th>SW7-1</th> <th>SW7-2</th> <th>Ambient temp.</th> </tr> </thead> <tbody> <tr> <td>OFF</td> <td>OFF</td> <td>≤ 3°C (Initial setting)</td> </tr> <tr> <td>OFF</td> <td>ON</td> <td>≤ 0°C</td> </tr> <tr> <td>ON</td> <td>OFF</td> <td>≤ -3°C</td> </tr> <tr> <td>ON</td> <td>ON</td> <td>≤ -6°C</td> </tr> </tbody> </table>					SW7-1	SW7-2	Ambient temp.	OFF	OFF	≤ 3°C (Initial setting)	OFF	ON	≤ 0°C	ON	OFF	≤ -3°C	ON	ON	≤ -6°C								
				SW7-1	SW7-2	Ambient temp.																									
				OFF	OFF	≤ 3°C (Initial setting)																									
OFF	ON	≤ 0°C																													
ON	OFF	≤ -3°C																													
ON	ON	≤ -6°C																													
2	-		-		OFF	-																									
	-		-																												
3-6	No function	-	-	OFF	-	-																									
SW8		1	Mode selection	Energy saving mode	Powerful mode	OFF	-	Always																							
		2	Max. current setting	<table border="1"> <thead> <tr> <th rowspan="2">Model</th> <th colspan="2">Max. current</th> </tr> <tr> <th>OFF</th> <th>ON</th> </tr> </thead> <tbody> <tr> <td>HW140V</td> <td>35 A</td> <td>29.5 A</td> </tr> <tr> <td>HW140VHA2R1</td> <td>31A</td> <td>29.5A</td> </tr> <tr> <td>HW112/140Y</td> <td>13 A</td> <td>12 A</td> </tr> </tbody> </table>		Model	Max. current		OFF	ON	HW140V	35 A	29.5 A	HW140VHA2R1	31A	29.5A	HW112/140Y	13 A	12 A	OFF	-	When power supply ON									
				Model	Max. current																										
					OFF	ON																									
HW140V	35 A	29.5 A																													
HW140VHA2R1	31A	29.5A																													
HW112/140Y	13 A	12 A																													
Separate Interface/ Flow temp. controller- outdoor unit power supplies		Separate power supply	Outdoor unit power supply	OFF	Power supply connection method selection	When power supply ON																									
3	No function	-	-	-	-	-																									
SW9		1-4	No function	-	-	-	-	-																							

<Important Note>

All these DIP switches on PUHZ-HW-HA(2) are set as shown above.

Spare PCBs, however, will be supplied without any settings, which means that all Dip switches are switched OFF.

When servicing, please make sure to set all switches correctly, referring to the previous PCB which is removed from the unit.

*1 Manual defrost should be done as follows.

① Change the DIP SW1-1 on the outdoor controller board from OFF to ON.

② Manual defrost will start by the above operation ① if these conditions written below are satisfied.

- Heat mode setting
- 10 minutes have passed since compressor starts operating or previous manual defrost is finished.
- Pipe temperature is less than or equal to 8°C.

Manual defrost will finish if certain conditions have been satisfied.

Manual defrost can be done if above conditions have been satisfied when DIP SW1-1 is changed from OFF to ON.

After DIP SW1-1 is changed from OFF to ON, there is no problem if DIP SW1-1 is left ON or changed to OFF again.

This depends on the service conditions.

*2 Only PUHZ-HW-HA2R6/R7 mounts SW4.

*3 Only PUHZ-HW-HA2 mounts SW7.

9-9. Request code list

Certain indoor/outdoor combinations do not have the request code function; therefore, no request codes are displayed. Refer to indoor unit service manual for how to use the controllers and request codes for indoor unit.

Request code	Request content	Description (Display range)	Unit	Remarks
0	Operation state	Refer to 9-9-1. Detail Contents in Request Code.	–	
1	Compressor-Operating current (rms)	0–50	A	
2	Compressor-Accumulated operating time	0–9999	10 hours	
3	Compressor-Number of operation times	0–9999	100 times	
4	Discharge temperature (TH4)	3–217	°C	
5	Outdoor unit -Liquid pipe 1 temperature (TH3)	–40–90	°C	
6	Water inlet temperature (TH32)	–40–101	°C	
7	Outdoor unit-Plate HEX pipe temperature (TH6)	–39–88	°C	
8	Outdoor unit-Suction pipe temperature (TH33)	–39–88	°C	for HW112/140
9	Outdoor unit-Outside air temperature (TH7)	–39–88	°C	
10	Outdoor unit-Heatsink temperature (TH8)	–40–200	°C	
11				
12	Discharge superheat (SHd)	0–255	°C	
13	Sub-cool (SC)	0–130	°C	
14	Condensing temperature (T _{63HS})	–39–88	°C	
15				
16	Compressor-Operating frequency	0–255	Hz	
17	Compressor-Target operating frequency	0–255	Hz	
18	Outdoor unit-Fan output step	0–10	Step	
19	Outdoor unit-Fan 1 speed (Only for air conditioners with DC fan motor)	0–9999	rpm	
20	Outdoor unit-Fan 2 speed (Only for air conditioners with DC fan motor)	0–9999	rpm	"0" is displayed if the air conditioner is a single-fan type.
21	Requested capacity step (Q STEP)	0–7	Step	
22	LEV (A) opening	0–500	Pulses	
23	LEV (B) opening	0–500	Pulses	
24	LEV (C) opening	0–500	Pulses	for HW112/140
25	Primary current	0–50	A	
26	DC bus voltage	180–370	V	
27				
28				
29				
30				
31				
32				
33				
34				
35				
36				
37				
38				
39				
40				
41				
42				
43				
44				
45				
46				
47				
48	Thermostat ON operating time	0–999	Minutes	
49				



Request code	Request content	Description (Display range)	Unit	Remarks
50				
51	Outdoor unit-Control state	Refer to 9-9-1.Detail Contents in Request Code.	--	
52	Compressor-Frequency control state	Refer to 9-9-1.Detail Contents in Request Code.	--	
53	Outdoor unit-Fan control state	Refer to 9-9-1.Detail Contents in Request Code.	--	
54	Actuator output state	Refer to 9-9-1.Detail Contents in Request Code.	--	
55	Error content (U9)	Refer to 9-9-1.Detail Contents in Request Code.	--	
56				
57				
58				
59				
60				
61				
62				
63				
64				
65				
66				
67				
68				
69				
70	Outdoor unit-Capacity setting display	Refer to 9-9-1.Detail Contents in Request Code.	--	
71	Outdoor unit-Setting information	Refer to 9-9-1.Detail Contents in Request Code.	--	
72				
73			--	
74			--	
75				
76			--	
77			--	
78			--	
79			--	
80			--	
81			--	
82			--	
83				
84				
85				
86				
87				
88				
89				
90	Outdoor unit-Microprocessor version information	Examples) Ver. 5.01 → "0501"	Ver.	
91	Outdoor unit-Microprocessor version information (sub No.)	Auxiliary information (displayed after version information) Examples) Ver. 5.01 A000 → "A000"	--	
92				
93				
94				
95				
96				
97				
98				
99				
100	Outdoor unit - Error postponement history 1 (latest)	Displays postponement code. (" - " is displayed if no postponement code is present)	Code	
101	Outdoor unit - Error postponement history 2 (previous)	Displays postponement code. (" - " is displayed if no postponement code is present)	Code	
102	Outdoor unit - Error postponement history 3 (last but one)	Displays postponement code. (" - " is displayed if no postponement code is present)	Code	

Request code	Request content	Description (Display range)	Unit	Remarks
103	Error history 1 (latest)	Displays error history. ("—" is displayed if no history is present.)	Code	
104	Error history 2 (second to last)	Displays error history. ("—" is displayed if no history is present.)	Code	
105	Error history 3 (third to last)	Displays error history. ("—" is displayed if no history is present.)	Code	
106	Abnormal thermistor display (TH3/TH6/TH7/TH8/TH32)	3: TH3, TH32 6: TH6 7: TH7 8: TH8 0: No thermistor error	Sensor number	
107	Operation mode at time of error	Displayed in the same way as request code "0".	—	
108	Compressor-Operating current at time of error	0–50	A	
109	Compressor-Accumulated operating time at time of error	0–9999	10 hours	
110	Compressor-Number of operation times at time of error	0–9999	100 times	
111	Discharge temperature at time of error	3–217	°C	
112	Outdoor unit-Liquid pipe 1 temperature (TH3) at time of error	–40–90	°C	
113	Water inlet temperature (TH32) at time of error	–40–101	°C	
114	Plate HEX liquid pipe temperature (TH6) at time of error	–39–88	°C	
115	Outdoor unit-Suction pipe temperature (TH33)	–39–88	°C	for HW112/140
116	Outdoor unit-Outside air temperature (TH7) at time of error	–39–88	°C	
117	Outdoor unit-Heatsink temperature (TH8) at time of error	–40–200	°C	
118	Discharge superheat (SHd) at time of error	0–255	°C	
119	Sub-cool (SC) at time of error	0–130	°C	
120	Compressor-Operating frequency at time of error	0–255	Hz	
121	Outdoor unit at time of error • Fan output step	0–10	Step	
122	Outdoor unit at time of error • Fan 1 speed (Only for air conditioners with DC fan)	0–9999	rpm	
123	Outdoor unit at time of error • Fan 2 speed (Only for air conditioners with DC fan)	0–9999	rpm	"0" is displayed if the air conditioner is a single-fan type.
124				
125	LEV (A) opening at time of error	0–500	Pulses	
126	LEV (B) opening at time of error	0–500	Pulses	
127	LEV (C) opening at time of error	0–500	Pulses	for HW112/140
128				
129	Condensing temperature (T _{cond}) at time of error	–39–88	°C	
130	Thermostat ON time until operation stops due to error	0–999	Minutes	

9-9-1. Detail Contents in Request Code

[Operation state] (Request code: "0")

Data display

□ □ C 4

Relay output state

Operation mode

Operation mode

Display	Operation mode
0	STOP • FAN
C	COOL • DRY
H	HEAT
d	DEFROST

Relay output state

Display	Power currently supplied to compressor	Compressor	4-way valve	Solenoid valve
0	—	—	—	—
1				ON
2			ON	
3			ON	ON
4		ON		
5		ON		ON
6		ON	ON	
7		ON	ON	ON
8	ON			
A	ON		ON	

[Outdoor unit – Control state] (Request code: "51")

Data display	State
0 0 0 0	Normal
0 0 0 1	Preparing for heat operation
0 0 0 2	Defrost

[Compressor – Frequency control state] (Request code: "52")

Data display

0 0 * *

Frequency control state ②

Frequency control state ①

Frequency control state ①

Display	Current limit control
0	No current limit
1	Primary current limit control is ON.
2	Secondary current limit control is ON.

Frequency control state ②

Display	Discharge temperature overheat prevention	Condensation temperature overheat prevention	Anti-freeze protection control	Heatsink temperature overheat prevention
0				
1	Controlled			
2		Controlled		
3	Controlled	Controlled		
4			Controlled	
5	Controlled		Controlled	
6		Controlled	Controlled	
7	Controlled	Controlled	Controlled	
8				Controlled
9	Controlled			Controlled
A		Controlled		Controlled
b	Controlled	Controlled		Controlled
C			Controlled	Controlled
d	Controlled		Controlled	Controlled
E		Controlled	Controlled	Controlled
F	Controlled	Controlled	Controlled	Controlled

[Fan control state] (Request code: "53")

Data display

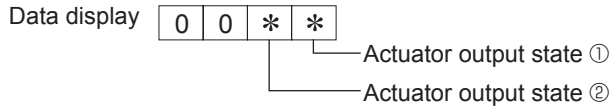
0 0 * *

Fan step correction value by heatsink temperature overheat prevention control

Fan step correction value by cool condensation temperature overheat prevention control

Display	Correction value
- (minus)	-1
0	0
1	+1
2	+2

[Actuator output state] (Request code: "54")



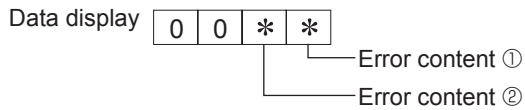
Actuator output state ①

Display	SV1	4-way valve	Compressor	Compressor is warming up
0				
1	ON			
2		ON		
3	ON	ON		
4			ON	
5	ON		ON	
6		ON	ON	
7	ON	ON	ON	
8				ON
9	ON			ON
A		ON		ON
b	ON	ON		ON
C			ON	ON
d	ON		ON	ON
E		ON	ON	ON
F	ON	ON	ON	ON

Actuator output state ②

Display	52C	SV2	SS
0			
1	ON		
2		ON	
3	ON	ON	
4			ON
5	ON		ON
6		ON	ON
7	ON	ON	ON

[Error content (U9)] (Request code: "55")



Error content ①

●: Detected

Display	Overvoltage error	Undervoltage error	L1-phase open error	Power synchronizing signal error
0				
1	●			
2	●	●		
3	●	●		
4			●	
5	●		●	
6		●	●	
7	●	●	●	
8				●
9	●			●
A		●		●
b	●	●		●
C			●	●
d	●		●	●
E		●	●	●
F	●	●	●	●

Error content ②

●: Detected

Display	Converter Fo error	PAM error
0		
1	●	
2		●
3	●	●

[Outdoor unit – Capacity setting display] (Request code: "70")

Data display	Capacity
9	35
10	50
11	60
14	71
20	100
25	125
28	140
40	200
50	250

[Outdoor unit – Setting information] (Request code: "71")

Data display

0	0	*	*
---	---	---	---

Setting information ①

Setting information ②

Setting information ①

Display	Defrost mode
0	Standard
1	For high humidity

Setting information ②

Display	Single-/ 3-phase	Heat pump/ cooling only
0	Single-phase	Heat pump
1		Cooling only
2	3-phase	Heat pump
3		Cooling only

PUHZ-W50VHA(-BS)

PUHZ-W50VHAR1(-BS)

PUHZ-W50VHAR2(-BS)

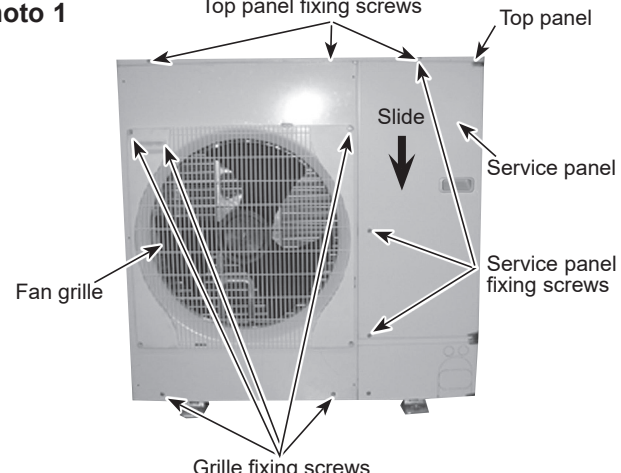
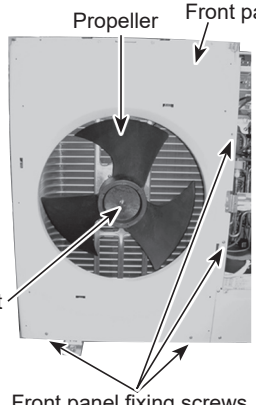
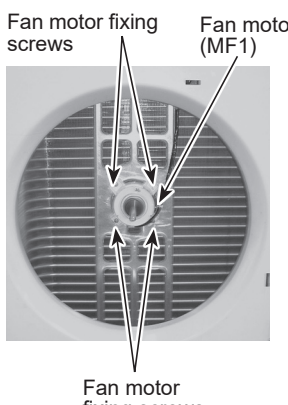
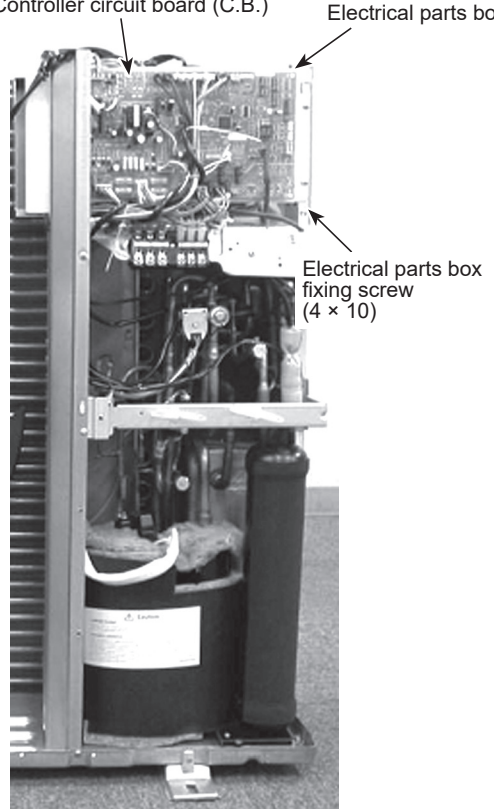
PUHZ-W50VHAR3(-BS)

PUHZ-W85VHA(-BS)

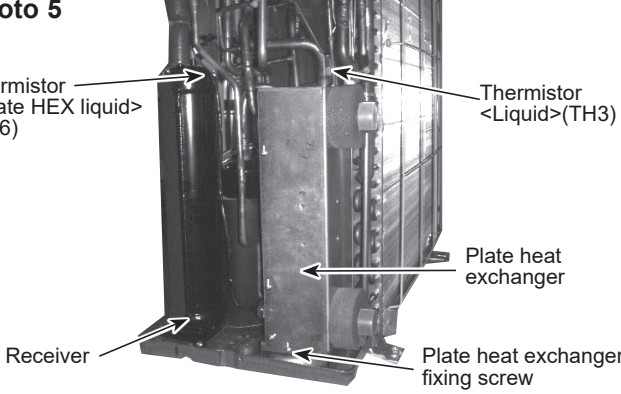
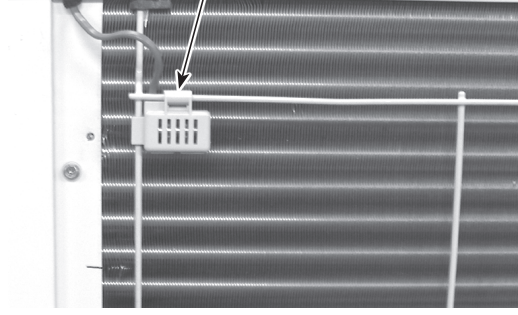
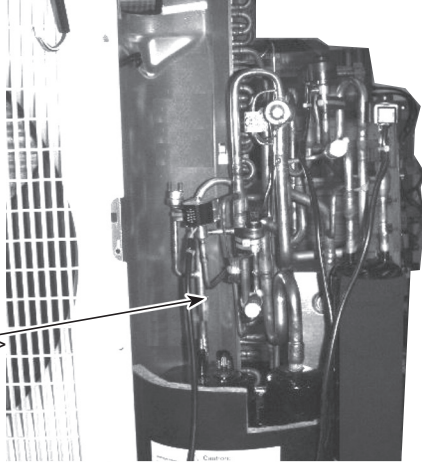
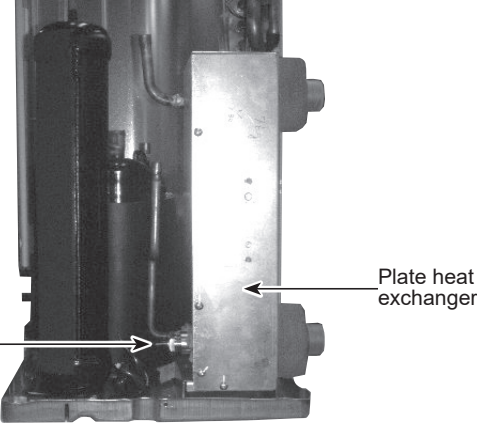
PUHZ-W85VHAR1(-BS)

PHOTO: PUHZ-W85VHA

→ : Indicates the visible parts in the photos/figures.

OPERATING PROCEDURE	PHOTOS/FIGURES
<p>1. Removing the service panel and top panel</p> <ol style="list-style-type: none"> (1) Remove 3 screws (5 × 12) and slide the hook on the right downward to remove the service panel. (2) Remove screws (3 for front, 3 for rear/5 × 12) of the top panel and remove it. 	<p>Photo 1</p> 
<p>2. Removing the fan motor (MF1)</p> <ol style="list-style-type: none"> (1) Remove the service panel. (See Photo 1) (2) Remove the top panel. (See Photo 1) (3) Remove 5 screws (5 × 12) to detach the fan grille. (See Photo 1) (4) Remove a nut (for right handed screw of M6) to detach the propeller. (See Photo 2) (5) Disconnect the connector CNF1 on controller circuit board in electrical parts box. (6) Remove 4 screws (5 × 25) to detach the fan motor. (See Photo 3) 	<p>Photo 2</p>  <p>Photo 3</p> 
<p>3. Removing the electrical box</p> <ol style="list-style-type: none"> (1) Remove the service panel. (See Photo 1) (2) Remove the top panel. (See Photo 1) (3) Disconnect the connecting wires from terminal block. (4) Remove all the following connectors from controller circuit board; fan motor, linear expansion valve (×2), thermistor<Liquid>, thermistor <Discharge>, thermistor <Plate HEX Liquid>, thermistor <Ambient>, high pressure sensor, high pressure switch, 4-way valve and bypass valve. Then remove a screw (4 × 8) from the valve bed to remove the lead wire. Pull out the disconnected wire from the electrical parts box. <Diagram symbol in the connector housing> <ul style="list-style-type: none"> • Fan motor (CNF1) • Linear expansion valve (LEV-A and LEV-B) • Thermistor <Liquid> (TH3) • Thermistor <Discharge> (TH4) • Thermistor <Plate HEX Liquid, Ambient> (TH7/6) • Thermistor <Inlet water> (TH32) • Thermistor <Comp. surface> (TH33, except W85VHA(-BS)) • Thermistor <Comp. surface> (TH34, HW•HA2R3(-BS) and HW•HA2R4(-BS)) • High pressure sensor (63HS) • High pressure switch (63H) • Solenoid valve coil <4-way valve> (21S4) • Solenoid valve coil <Bypass valve> (SV2) (5) Remove the terminal cover and disconnect the compressor lead wires. (6) Remove a screw (4 × 10) and detach the electrical parts box by pulling it upward. The electrical parts box is fixed with 2 hooks on the left and 1 hook on the right. 	<p>Photo 4</p> 



OPERATING PROCEDURE	PHOTOS/FIGURES
<p>4. Removing the thermistor <Plate HEX Liquid> (TH6)</p> <ol style="list-style-type: none"> (1) Remove the service panel. (See Photo 1) (2) Remove the top panel. (See Photo 1) (3) Disconnect the connector TH7/6 (red) on the controller circuit board. (4) Loosen the clamps for the lead wire. (5) Pull out the thermistor <Plate HEX Liquid> (TH6) from the sensor holder. <p>Note: In case of replacing thermistor <Plate HEX Liquid>(TH6), replace it together with thermistor<Ambient> (TH7), since they are combined together.</p> <p>Refer to No.5 below to remove thermistor <Ambient>.</p>	<p>Photo 5</p>  <p>Thermistor <Plate HEX liquid> (TH6)</p> <p>Thermistor <Liquid>(TH3)</p> <p>Plate heat exchanger</p> <p>Receiver</p> <p>Plate heat exchanger fixing screw</p>
<p>5. Removing the thermistor <Ambient> (TH7)</p> <ol style="list-style-type: none"> (1) Remove the service panel. (See Photo 1) (2) Remove the top panel. (See Photo 1) (3) Disconnect the connector TH7/6 (red) on the controller circuit board. (4) Loosen the clamps for the lead wire. (5) Pull out the thermistor <Ambient> (TH7) from the sensor holder. <p>Note: In case of replacing thermistor <Ambient>(TH7), replace it together with thermistor <Plate HEX Liquid> (TH6), since they are combined together.</p> <p>Refer to No.4 above to remove thermistor <Plate HEX Liquid>.</p>	<p>Photo 6 Sensor holder for thermistor <Ambient> (TH7)</p> 
<p>6. Removing the thermistor <Liquid> (TH3) and thermistor <Discharge> (TH4), thermistor <Comp. surface> (TH33)</p> <ol style="list-style-type: none"> (1) Remove the service panel. (See Photo 1) (2) Disconnect the connectors, TH3 (white), TH4 (white), and TH33 (yellow) on the controller circuit board. (3) Loosen the clamps for the lead wire. (4) Pull out the thermistor <Liquid> (TH3) (See Photo 5) and thermistor <Discharge> (TH4) from the sensor holder. <p>[Removing the thermistor <Comp. surface> (TH33)] Except W85VHA(-BS)</p> <ol style="list-style-type: none"> (5) Pull out the thermistor <Comp. surface> (TH33) from the holder of the compressor shell. 	<p>Photo 7</p>  <p>Thermistor <Discharge> (TH4)</p>
<p>7. Removing the thermistor <Inlet Water> (TH32)</p> <ol style="list-style-type: none"> (1) Remove the service panel. (See Photo 1) (2) Remove 2 screws (5 × 12) and remove the front cover panel. (3) Remove 2 screws (5 × 12) and remove the back cover panel.(W85)/ Remove 3 stay fixing screws (4 × 10) and remove the stay. Remove 3 right side panel fixing screws (5 × 12) and remove the right side panel. (W50) (4) Disconnect the connectors, TH32 (black) on the controller circuit board. (5) Loosen the clamp for the lead wire. (6) Remove the thermistor <Inlet water> (TH32) from the plate heat exchanger. <p>Note: Before removing the thermistor<Inlet water> (TH32), recover water in the plate heat exchanger.</p>	<p>Photo 8</p>  <p>Thermistor <Inlet water> (TH32)</p> <p>Plate heat exchanger</p>

OPERATING PROCEDURE

8. Removing the solenoid valve coil <4-way valve> (21S4) linear expansion valve coil (LEV (A), LEV (B)) and solenoid valve coil <Bypass valve> (SV)

- (1) Remove the service panel. (See Photo 1)
 - (2) Remove the top panel. (See Photo 1)
 - (3) Remove the electrical parts box. (See Photo 4)
- [Removing the solenoid valve coil <4-way valve>]**
- (4) Remove solenoid valve coil <4-way valve> fixing screw (M4 x 6).
 - (5) Remove the solenoid valve coil <4-way valve>.
 - (6) Disconnect the connector 21S4 (green) on the controller circuit board.

[Removing the linear expansion valve coil]

- (4) Remove the linear expansion valve coil by sliding the coil upward.
- (5) Disconnect the connectors, LEV A (white) and LEV B (red), on the controller circuit board.

[Removing the solenoid valve coil <Bypass valve>]

- (4) Remove the solenoid valve coil <Bypass valve> fixing screw (M4 x 6).
- (5) Remove the solenoid valve coil <Bypass valve> by sliding the coil upward.
- (6) Disconnect the connector SV2 (blue) on the controller circuit board.

9. Removing the 4-way valve

- (1) Remove the service panel. (See Photo 1)
- (2) Remove the top panel. (See Photo 1)
- (3) Remove the electrical parts box. (See Photo 4)
- (4) Remove 3 stay fixing screws (4 x 10) and remove the stay.
- (5) Remove 3 right side panel fixing screws (5 x 12) in the rear of the unit and remove the right side panel.
- (6) Remove the solenoid valve coil <4-way valve>. (See Photo 9)
- (7) Recover refrigerant.
- (8) Remove the welded part of 4-way valve.

Note 1: Recover refrigerant without spreading it in the air.

Note 2: The welded part can be removed easily by removing the right side panel.

Note 3: When installing the 4-way valve, make sure to cover it with a wet cloth to prevent it from heating (120°C or more), then braze the pipes so that the inside of pipes are not oxidized.

10. Removing linear expansion valve

- (1) Remove the service panel. (See Photo 1)
- (2) Remove the top panel. (See Photo 1)
- (3) Remove the electrical parts box. (See Photo 4)
- (4) Remove 3 stay fixing screws (4 x 10) and remove the stay.
- (5) Remove 3 right side panel fixing screws (5 x 12) in the rear of the unit and then remove the right side panel.
- (6) Remove the linear expansion valve.
- (7) Recover refrigerant.
- (8) Remove the welded part of linear expansion valve.

Note 1: Recover refrigerant without spreading it in the air.

Note 2: The welded part can be removed easily by removing the back panel.

Note 3: When installing the linear expansion valve, cover it with a wet cloth to prevent it from heating (120°C or more), then braze the pipes so that the inside of pipes are not oxidized.

PHOTOS/FIGURES

Photo 9

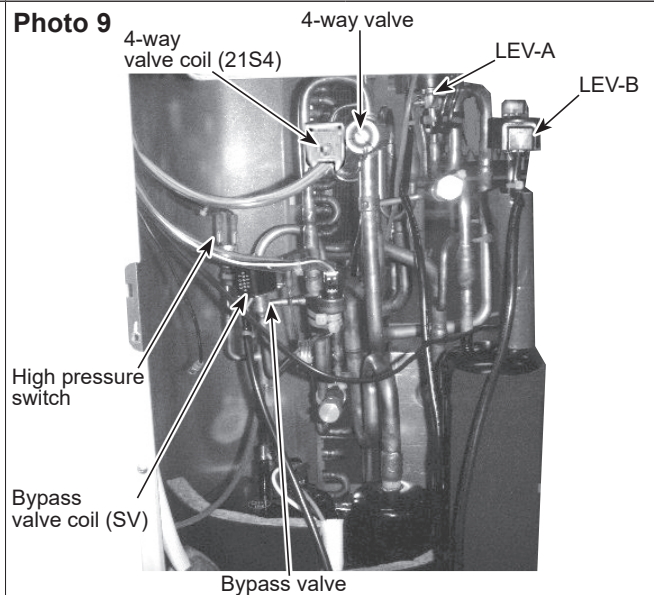
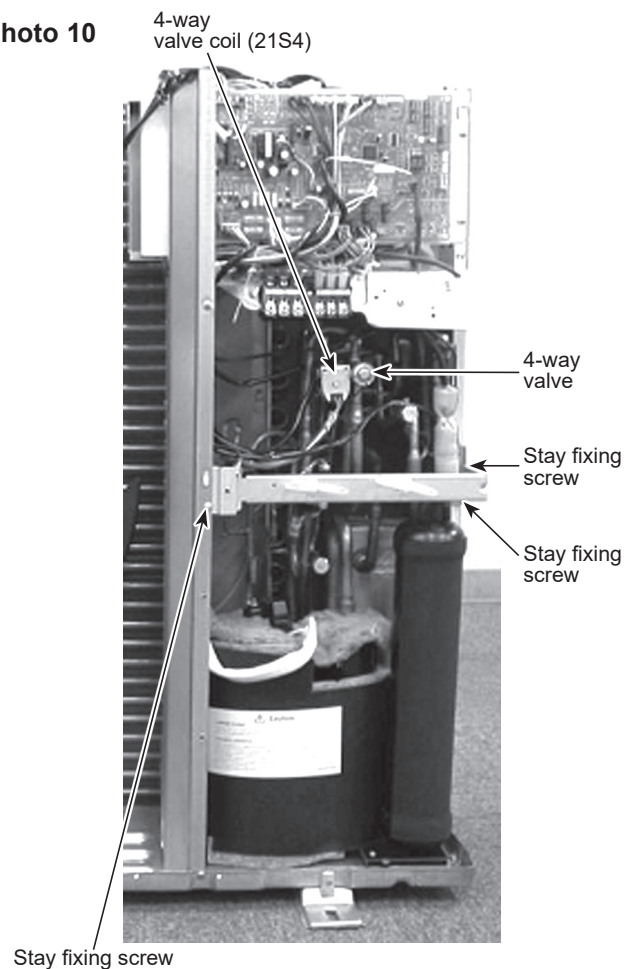


Photo 10



OPERATING PROCEDURE

11. Removing the bypass valve

- (1) Remove the service panel. (See Photo 1)
- (2) Remove the top panel. (See Photo 1)
- (3) Remove the electrical parts box. (See Photo 4)
- (4) Remove 3 right side panel fixing screws (5 × 12) in the rear of the unit and remove the right side panel.
- (5) Remove the bypass valve solenoid coil.
- (6) Recover refrigerant.
- (7) Remove the welded part of bypass valve.

Note 1: Recover refrigerant without spreading it in the air.

Note 2: The welded part can be removed easily by removing the right side panel.

Note 3: When installing the bypass valve, make sure to cover it with a wet cloth to prevent it from heating (120°C or more), then braze the pipes so that the inside of pipes are not oxidized.

12. Removing the high pressure switch (63H)

- (1) Remove the service panel. (See Photo 1)
- (2) Remove the top panel. (See Photo 1)
- (3) Remove the electrical parts box. (See Photo 4)
- (4) Remove 3 right side panel fixing screws (5 × 12) in the rear of the unit and remove the right side panel.
- (5) Pull out the lead wire of high pressure switch.
- (6) Recover refrigerant.
- (7) Remove the welded part of high pressure switch.

Note 1: Recover refrigerant without spreading it out in the air.

Note 2: The welded part can be removed easily by removing the right side panel.

Note 3: When installing the high pressure switch, make sure to cover it with a wet cloth to prevent it from heating (100°C or more), then braze the pipes so that the inside of pipes are not oxidized.

13. Removing the high pressure sensor (63HS)

- (1) Remove the service panel. (See Photo 1)
- (2) Remove the top panel. (See Photo 1)
- (3) Remove the electrical parts box. (See Photo 4)
- (4) Remove 3 right side panel fixing screws (5 × 12) in the rear of the unit and remove the right side panel.
- (5) Pull out the lead wire of high pressure sensor.
- (6) Recover refrigerant.
- (7) Remove the welded part of high pressure sensor.

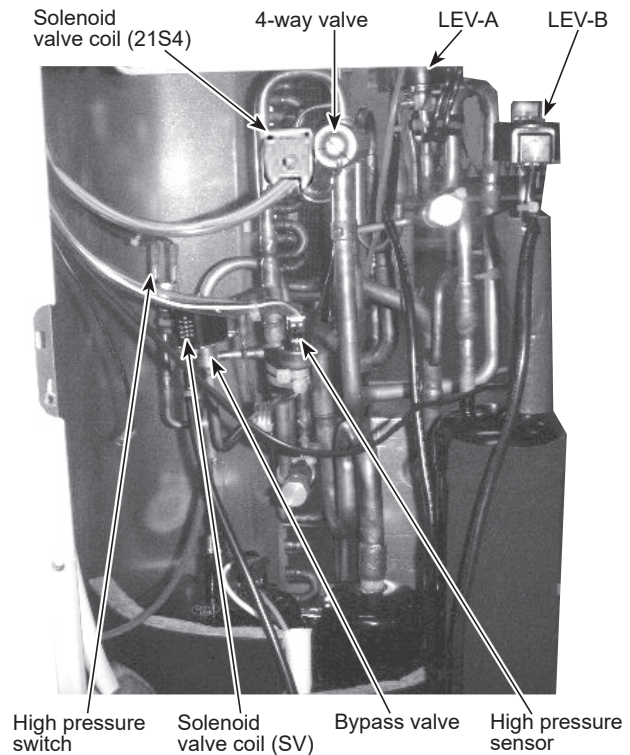
Note 1: Recover refrigerant without spreading it in the air.

Note 2: The welded part can be removed easily by removing the right side panel.

Note 3: When installing the high pressure sensor, make sure to cover it with a wet cloth to prevent it from heating (100°C or more), then braze the pipes so that the inside of pipes are not oxidized.

PHOTOS/FIGURES

Photo 11



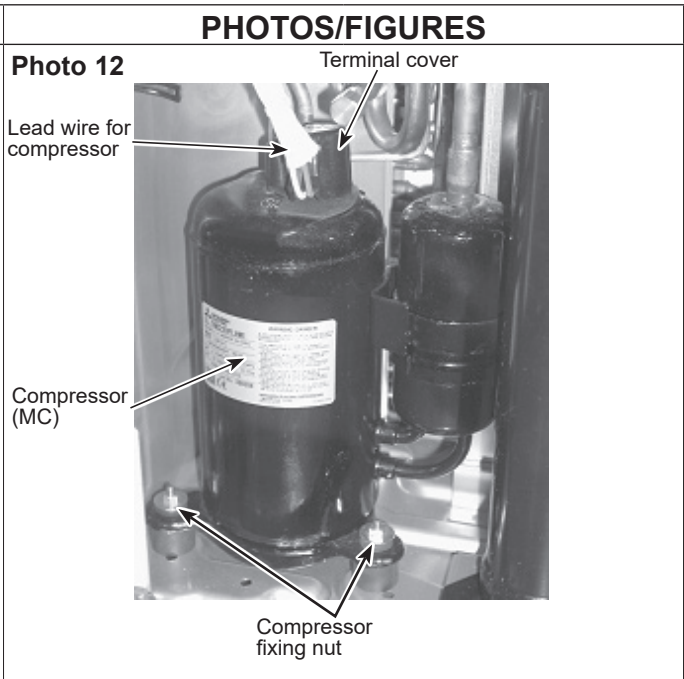


OPERATING PROCEDURE

14. Removing the compressor (MC)

- (1) Remove the service panel. (See Photo 1)
- (2) Remove the top panel. (See Photo 1)
- (3) Remove 2 screws (5 × 12) and remove the front cover panel.
- (4) Remove 2 screws (5 × 12) and remove the back cover panel.
- (5) Remove the electrical parts box. (See Photo 4)
- (6) Remove 3 screws (4 × 10) and remove the stay. (See Photo 10)
- (7) Remove 3 screws (5 × 12) in the rear of the unit and remove the right side panel.
- (8) Remove 5 screws (1: 4 × 10, 4: 5 × 12) and remove the front panel.
- (9) Remove 3 screws (4 × 10) and remove the separator.
- (10) Remove the terminal cover and remove the lead wire for compressor.
- (11) Remove the soundproof cover for compressor.
- (12) Recover refrigerant.
- (13) Remove the 3 points of the compressor fixing nut using a spanner or a adjustable wrench.
- (14) Remove the welded pipe of the compressor, then remove the compressor.

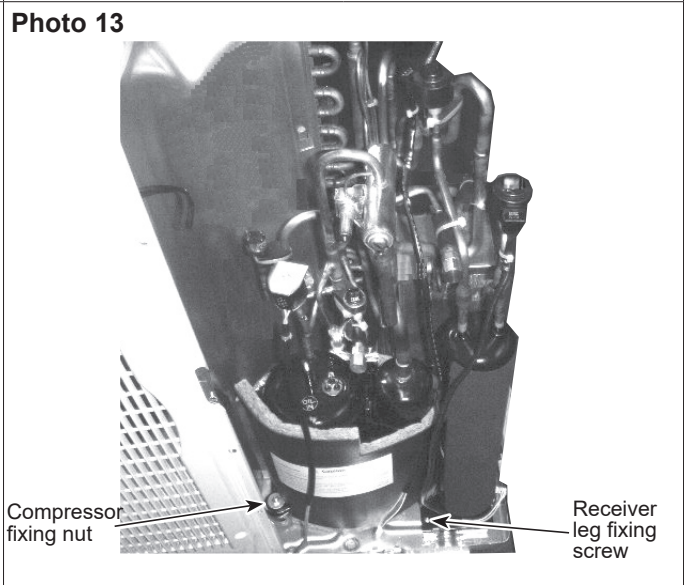
Note 1: Recover refrigerant without spreading it in the air.



15. Removing the receiver

- (1) Remove the service panel. (See Photo 1)
- (2) Remove the top panel. (See Photo 1)
- (3) Remove 2 screws (5 × 12) and remove the front cover panel.
- (4) Remove 2 screws (5 × 12) and remove the back cover panel.
- (5) Remove the electrical parts box. (See Photo 4)
- (6) Remove 3 screws (4 × 10) and remove the stay. (See Photo 10)
- (7) Remove 3 screws (5 × 12) in the rear of the unit and remove the right side panel.
- (8) Recover the refrigerant.
- (9) Remove 2 welded pipes of receiver.
- (10) Remove 2 receiver leg fixing screws (4 × 10), then remove the receiver.

Note 1: Recover refrigerant without spreading it in the air.

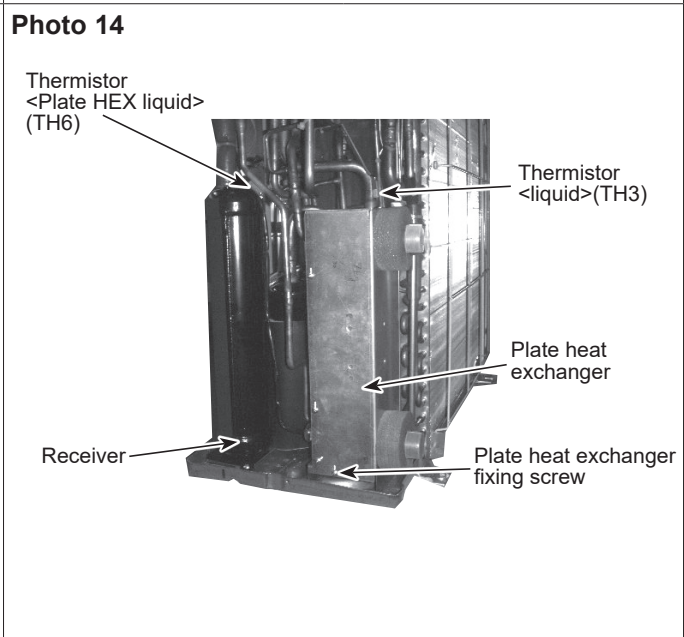


16. Removing the plate heat exchanger

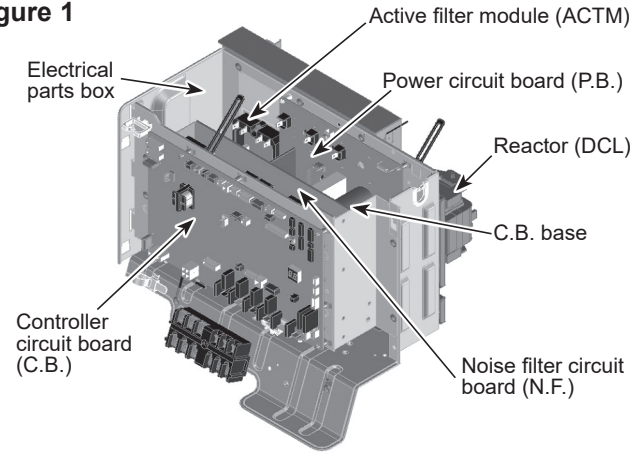
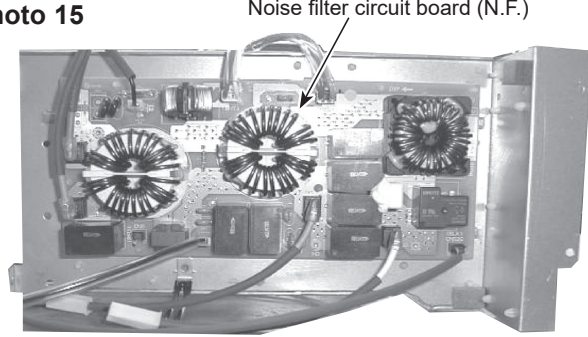
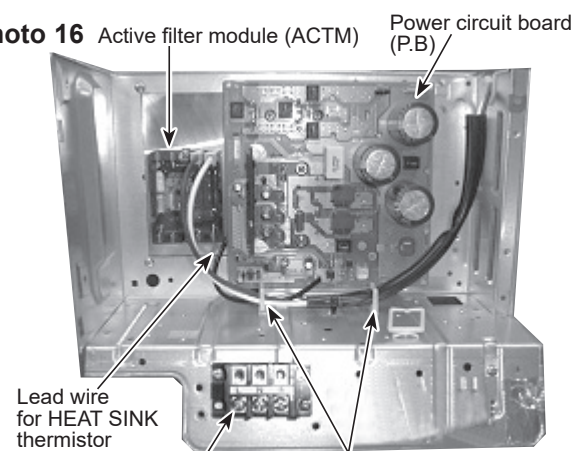
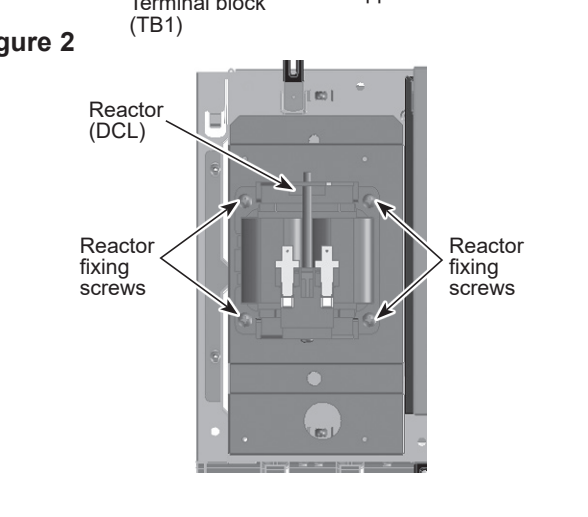
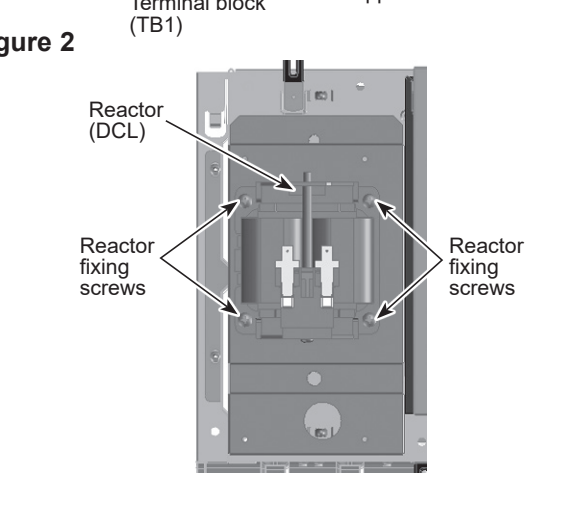
- (1) Remove the service panel. (See Photo 1)
- (2) Remove the top panel. (See Photo 1)
- (3) Remove 2 screws (5 × 12) and remove the front cover panel.
- (4) Remove 2 screws (5 × 12) and remove the back cover panel.
- (5) Remove the electrical parts box. (See Photo 4)
- (6) Remove 3 screws (4 × 10) and remove the stay. (See Photo 10)
- (7) Remove 3 screws (5 × 12) in the rear of the unit and remove the right side panel.
- (8) Recover the refrigerant.
- (9) Remove 2 welded pipes of plate heat exchanger inlet and outlet.
- (10) Remove 2 plate heat exchanger fixing screws (4 × 10), then remove the plate heat exchanger.

Note 1: Recover refrigerant without spreading it in the air.

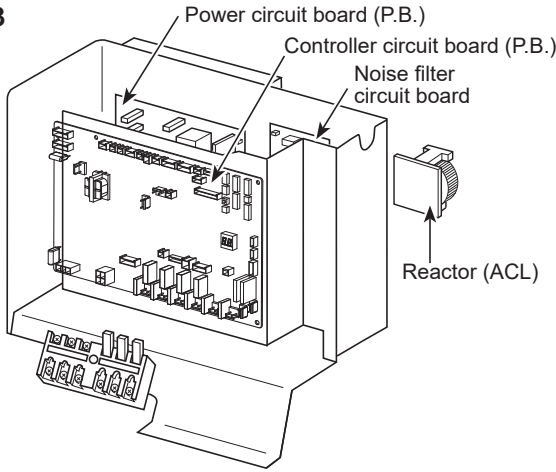
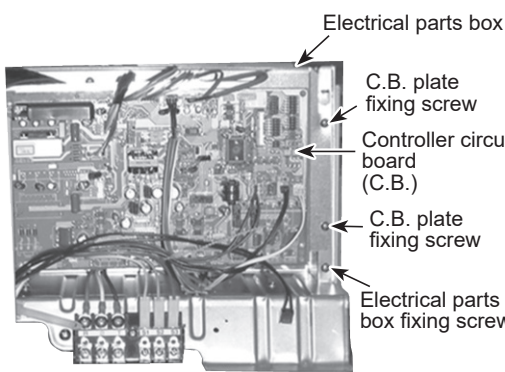
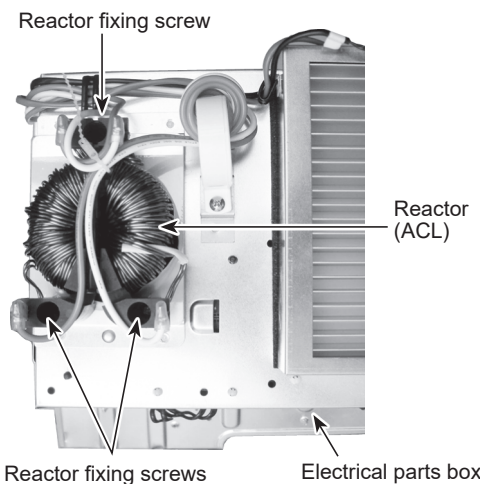
Note 2: Before removing the thermistor <Inlet water> (TH32), recover water in the plate heat exchanger.



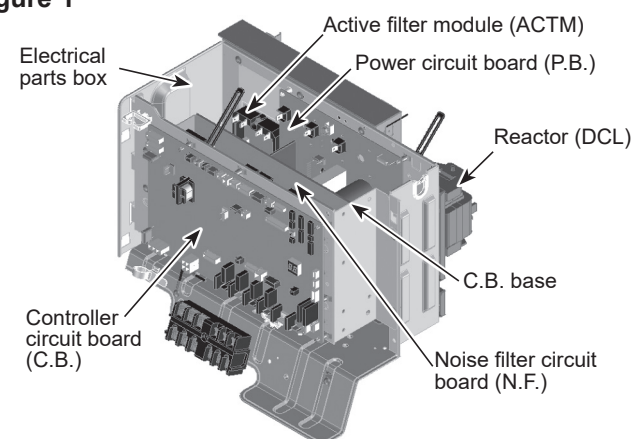
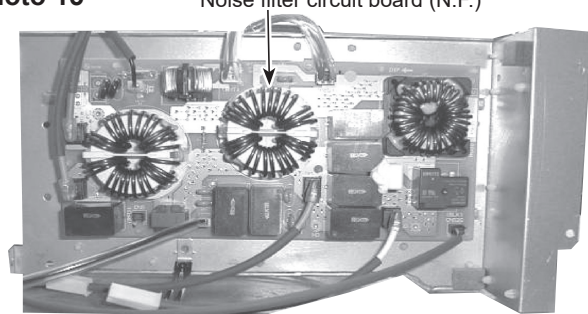
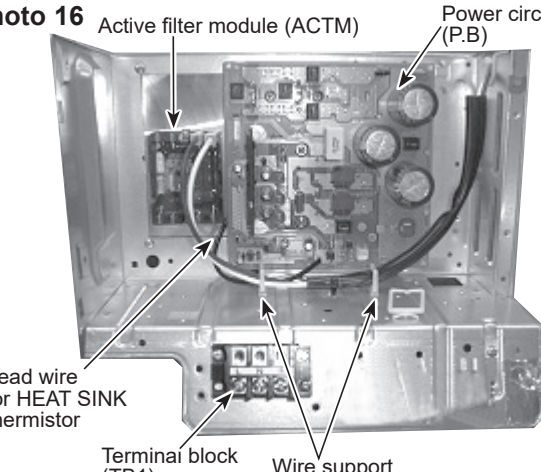
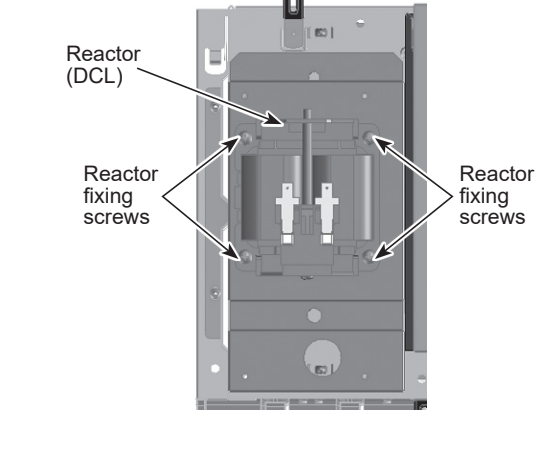
No.17 to 22 for PUHZ-W85VHA(-BS) PUHZ-W85VHAR1(-BS)

OPERATING PROCEDURE	PHOTOS/FIGURES
<p>17. Removing the controller circuit board (C.B.): Figure 1</p> <ol style="list-style-type: none"> Remove all lead wire connectors on controller circuit board (C.B.). CNF1, CNDC, CNAC, CN2, CN4, CN52C, 21S4, SV2, 63H, 63HS, LEV-A, LEV-B, TH32, TH7/6, TH3, TH4 Remove controller circuit board from the C.B. base. (5 supports) 	<p>Figure 1</p> 
<p>18. Removing the noise filter circuit board (N.F.): Figure 1, Photo 15</p> <ol style="list-style-type: none"> Remove E2, CN5, LO, NO lead wire connectors from noise filter circuit board (N.F.). Remove E1 lead wire connector from electrical parts box. Remove L, N lead wire connectors from terminal block (TB1). Remove 4 screws (4 × 10) for fixing the C.B. base and detach the C.B. base from the electrical parts box. Remove CNAC1, CNAC2, E1, LI, NI lead wire connectors from noise filter circuit board (N.F.). Remove noise filter circuit board from the C.B. base. (11 supports) 	<p>Photo 15</p> 
<p>19. Removing the power circuit board (P.B.): Figure 1, Photo 16</p> <ol style="list-style-type: none"> Remove CN2, CN4, CNDC lead wire connectors from controller circuit board (C.B.). Remove LO, NO, CN5 lead wire connectors from noise filter circuit board (N.F.). Remove 4 screws (4 × 10) for fixing the C.B. base and detach the C.B. base from the electrical parts box. Remove all lead wire connectors on power circuit board (P.B.). CNAF, CN2, CN3, CN5, CN4, CNDC TABU, TABV, TAVW, TABT, TABS, TABP1, TABN1, TABN2 Remove power circuit board from the electrical parts box. (3 supports and 4 screws (2 screws (3 × 12) + 2 screws (4 × 18))) 	<p>Photo 16</p> 
<p>20. Removing the active filter module (ACTM): Figure 1, Photo 16</p> <ol style="list-style-type: none"> Remove CN2, CN4, CNDC lead wire connectors from controller circuit board (C.B.). Remove LO, NO, CN5 lead wire connectors from noise filter circuit board (N.F.). Remove 4 screws (4 × 10) for fixing the C.B. base and detach the C.B. base from the electrical parts box. Remove all lead wires on active filter module (ACTM). L1, L2, P, lo, +, -, CNAF (4 wires) Remove the active filter module (ACTM) from the electrical parts box. (2 screws (4 × 14)) 	<p>Photo 16</p> 
<p>21. Removing the reactor (DCL): Figure 1, Figure 2</p> <ol style="list-style-type: none"> Remove 4 reactor fixing screws (4 × 10) to detach the reactor (DCL). Disconnect L1, L2 lead wire from active filter module (ACTM). Remove reactor wire from wire support. 	<p>Figure 2</p> 
<p>22. Removing the thermistor <HEAT SINK> (TH8): Photo 16</p> <ol style="list-style-type: none"> Remove CN2, CN4, CNDC lead wire connectors from controller circuit board (C.B.). Remove LO, NO, CN5 lead wire connectors from noise filter circuit board (N.F.). Remove 4 screws (4 × 10) for fixing the C.B. base and detach the C.B. base from the electrical parts box. Remove all lead wire connectors on power circuit board (P.B.). CNAF, CN2, CN3, CN5, CN4, CNDC TABU, TABV, TAVW, TABT, TABS, TABP1, TABN1, TABN2 Remove power circuit board from the electrical parts box. (3 supports and 4 screws (2 screws (3 × 12) + 2 screws (4 × 18))) Remove the thermistor <HEAT SINK> from the electrical parts box. (1 screw (3 × 12)) 	

No.23 to 27 for PUIZ-W50VHA(-BS), PUIZ-W50VHAR1(-BS), PUIZ-W50VHAR2(-BS), PUIZ-W50VHAR3(-BS)

OPERATING PROCEDURE	PHOTOS/FIGURES
<p>23. Removing the controller circuit board (C.B.): Figure 3, Photo 17</p> <ol style="list-style-type: none"> (1) Remove all lead wire connectors on controller circuit board (C.B.). CNF1, CNDC, CNAC, CN2, CN4, CN52C, 21S4, SV2, 63H, 63HS, LEV-A, LEV-B, TH32, TH7/6, TH3, TH4, TH33 (2) Remove controller circuit board. (5 supports) 	<p>Figure 3</p> 
<p>24. Removing the noise filter circuit board (N.F.): Figure 3, Photo 17</p> <ol style="list-style-type: none"> (1) Remove 2 screws for fixing the C.B. plate and detach the C.B. plate from the electrical parts box. (2) Remove E2, E3, CN5, LO, NO lead wire connectors from noise filter circuit board (N.F.). (3) Remove E1 lead wire connector from electrical parts box. (4) Remove L, N lead wire connectors from terminal block (TB1). (5) Remove CNAC1, CNAC2, E1, LI, NI lead wire connectors from noise filter circuit board (N.F.). (6) Remove noise filter circuit board. (9 supports) 	<p>Photo 17</p> 
<p>25. Removing the power circuit board (P.B.): Figure 3, Photo 17</p> <ol style="list-style-type: none"> (1) Remove CN2, CN4, CNDC lead wire connectors from controller circuit board (C.B.). (2) Remove 2 screws for fixing the C.B. plate and detach the C.B. plate from the electrical parts box. (3) Remove CD9 lead wire connector. (4) Remove all lead wire connectors on power circuit board (P.B.). CN2, CN3, CN5, CN4 TABU, TABV, TAVW, TABR, TABS (5) Remove power circuit board from the electrical parts box. 	<p>Photo 18</p> 
<p>26. Removing the reactor (ACL): Photo 18</p> <ol style="list-style-type: none"> (1) Remove the electrical parts box. (See Photo 4) (2) Remove 3 reactor fixing screws (4 × 16) and remove the reactor. <p>Note: The reactor is attached to the rear of the electrical parts box.</p>	
<p>27. Removing the thermistor <HEAT SINK> (TH8)</p> <ol style="list-style-type: none"> (1) Remove CN2, CN4, CNDC lead wire connectors from controller circuit board (C.B.). (2) Remove 2 screws for fixing the C.B. plate and detach the C.B. plate from the electrical parts box. (3) Remove all lead wire connectors on power circuit board (P.B.). (4) Remove power circuit board from the electrical parts box. (5) Remove the thermistor <HEAT SINK> from the electrical parts box. (1 screw (3 × 12)) 	

No.17 to 22 for PUHZ-W85VHA(-BS) PUHZ-W85VHAR1(-BS)

OPERATING PROCEDURE	PHOTOS/FIGURES
<p>17. Removing the controller circuit board (C.B.): Figure 1</p> <ol style="list-style-type: none"> Remove all lead wire connectors on controller circuit board (C.B.). CNF1, CNDC, CNAC, CN2, CN4, CN52C, 21S4, SV2, 63H, 63HS, LEV-A, LEV-B, TH32, TH7/6, TH3, TH4 Remove controller circuit board from the C.B. base. (5 supports) 	<p>Figure 1</p>  <p>Labels in Figure 1: Electrical parts box, Active filter module (ACTM), Power circuit board (P.B.), Reactor (DCL), C.B. base, Noise filter circuit board (N.F.), Controller circuit board (C.B.)</p>
<p>18. Removing the noise filter circuit board (N.F.): Figure 1, Photo 15</p> <ol style="list-style-type: none"> Remove E2, CN5, LO, NO lead wire connectors from noise filter circuit board (N.F.). Remove E1 lead wire connector from electrical parts box. Remove L, N lead wire connectors from terminal block (TB1). Remove 4 screws (4 × 10) for fixing the C.B. base and detach the C.B. base from the electrical parts box. Remove CNAC1, CNAC2, E1, LI, NI lead wire connectors from noise filter circuit board (N.F.). Remove noise filter circuit board from the C.B. base. (11 supports) 	<p>Photo 15</p>  <p>Label in Photo 15: Noise filter circuit board (N.F.)</p>
<p>19. Removing the power circuit board (P.B.): Figure 1, Photo 16</p> <ol style="list-style-type: none"> Remove CN2, CN4, CNDC lead wire connectors from controller circuit board (C.B.). Remove LO, NO, CN5 lead wire connectors from noise filter circuit board (N.F.). Remove 4 screws (4 × 10) for fixing the C.B. base and detach the C.B. base from the electrical parts box. Remove all lead wire connectors on power circuit board (P.B.). CNAF, CN2, CN3, CN5, CN4, CNDC TABU, TABV, TAVW, TABT, TABS, TABP1, TABN1, TABN2 Remove power circuit board from the electrical parts box. (3 supports and 4 screws (2 screws (3 × 12) + 2 screws (4 × 18))) 	<p>Photo 16</p>  <p>Labels in Photo 16: Active filter module (ACTM), Power circuit board (P.B.), Lead wire for HEAT SINK thermistor, Terminal block (TB1), Wire support</p>
<p>20. Removing the active filter module (ACTM): Figure 1, Photo 16</p> <ol style="list-style-type: none"> Remove CN2, CN4, CNDC lead wire connectors from controller circuit board (C.B.). Remove LO, NO, CN5 lead wire connectors from noise filter circuit board (N.F.). Remove 4 screws (4 × 10) for fixing the C.B. base and detach the C.B. base from the electrical parts box. Remove all lead wires on active filter module (ACTM). L1, L2, P, lo, +, -, CNAF (4 wires) Remove the active filter module (ACTM) from the electrical parts box. (2 screws (4 × 14)) 	<p>Figure 2</p>  <p>Labels in Figure 2: Reactor (DCL), Reactor fixing screws</p>
<p>21. Removing the reactor (DCL): Figure 1, Figure 2</p> <ol style="list-style-type: none"> Remove 4 reactor fixing screws (4 × 10) to detach the reactor (DCL). Disconnect L1, L2 lead wire from active filter module (ACTM). Remove reactor wire from wire support. <p>22. Removing the thermistor <HEAT SINK> (TH8): Photo 16</p> <ol style="list-style-type: none"> Remove CN2, CN4, CNDC lead wire connectors from controller circuit board (C.B.). Remove LO, NO, CN5 lead wire connectors from noise filter circuit board (N.F.). Remove 4 screws (4 × 10) for fixing the C.B. base and detach the C.B. base from the electrical parts box. Remove all lead wire connectors on power circuit board (P.B.). CNAF, CN2, CN3, CN5, CN4, CNDC TABU, TABV, TAVW, TABT, TABS, TABP1, TABN1, TABN2 Remove power circuit board from the electrical parts box. (3 supports and 4 screws (2 screws (3 × 12) + 2 screws (4 × 18))) Remove the thermistor <HEAT SINK> from the electrical parts box. (1 screw (3 × 12)) 	

No.23 to 27 for PUIZ-W50VHA(-BS), PUIZ-W50VHAR1(-BS), PUIZ-W50VHAR2(-BS), PUIZ-W50VHAR3(-BS)

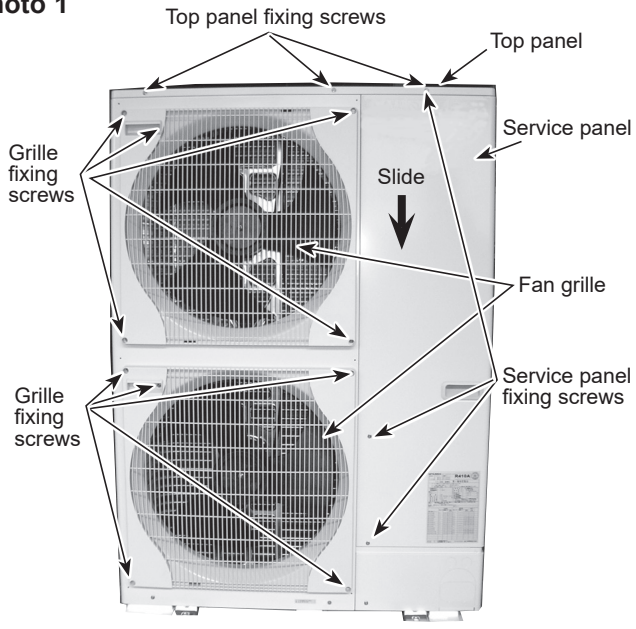
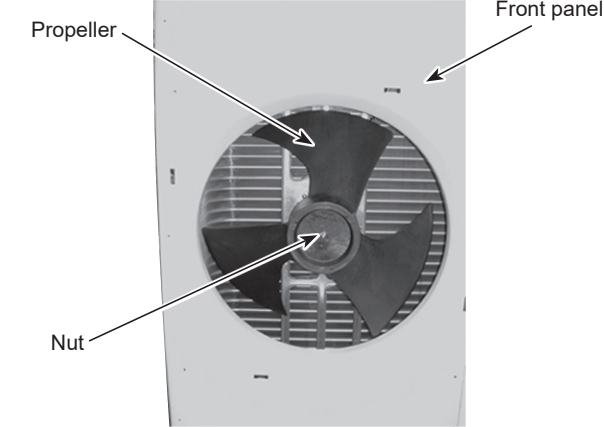
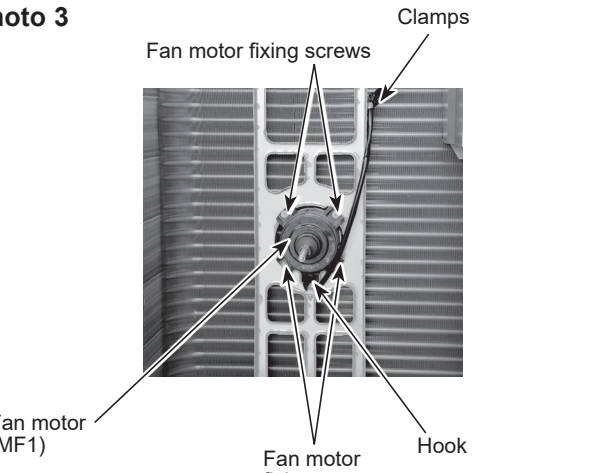
OPERATING PROCEDURE	PHOTOS/FIGURES
<p>23. Removing the controller circuit board (C.B.): Figure 3, Photo 17</p> <ol style="list-style-type: none"> (1) Remove all lead wire connectors on controller circuit board (C.B.). CNF1, CNDC, CNAC, CN2, CN4, CN52C, 21S4, SV2, 63H, 63HS, LEV-A, LEV-B, TH32, TH7/6, TH3, TH4, TH33 (2) Remove controller circuit board. (5 supports) 	<p>Figure 3</p>
<p>24. Removing the noise filter circuit board (N.F.): Figure 3, Photo 17</p> <ol style="list-style-type: none"> (1) Remove 2 screws for fixing the C.B. plate and detach the C.B. plate from the electrical parts box. (2) Remove E2, E3, CN5, LO, NO lead wire connectors from noise filter circuit board (N.F.). (3) Remove E1 lead wire connector from electrical parts box. (4) Remove L, N lead wire connectors from terminal block (TB1). (5) Remove CNAC1, CNAC2, E1, LI, NI lead wire connectors from noise filter circuit board (N.F.). (6) Remove noise filter circuit board. (9 supports) 	<p>Photo 17</p>
<p>25. Removing the power circuit board (P.B.): Figure 3, Photo 17</p> <ol style="list-style-type: none"> (1) Remove CN2, CN4, CNDC lead wire connectors from controller circuit board (C.B.). (2) Remove 2 screws for fixing the C.B. plate and detach the C.B. plate from the electrical parts box. (3) Remove CD9 lead wire connector. (4) Remove all lead wire connectors on power circuit board (P.B.). CN2, CN3, CN5, CN4 TABU, TABV, TAVW, TABR, TABS (5) Remove power circuit board from the electrical parts box. 	<p>Photo 18</p>
<p>26. Removing the reactor (ACL): Photo 18</p> <ol style="list-style-type: none"> (1) Remove the electrical parts box. (See Photo 4) (2) Remove 3 reactor fixing screws (4 × 16) and remove the reactor. <p>Note: The reactor is attached to the rear of the electrical parts box.</p>	
<p>27. Removing the thermistor <HEAT SINK> (TH8)</p> <ol style="list-style-type: none"> (1) Remove CN2, CN4, CNDC lead wire connectors from controller circuit board (C.B.). (2) Remove 2 screws for fixing the C.B. plate and detach the C.B. plate from the electrical parts box. (3) Remove all lead wire connectors on power circuit board (P.B.). (4) Remove power circuit board from the electrical parts box. (5) Remove the thermistor <HEAT SINK> from the electrical parts box. (1 screw (3 × 12)) 	

PUHZ-HW112YHA(-BS)
 PUHZ-HW112YHA2(-BS)
 PUHZ-HW112YHA2R1(-BS)
 PUHZ-HW112YHA2R3(-BS)
 PUHZ-HW112YHA2R4(-BS)
 PUHZ-HW112YHA2R5(-BS)
 PUHZ-HW112YHA2R6(-BS)
 PUHZ-HW112YHA2R7(-BS)

PUHZ-HW140VHA(-BS)
 PUHZ-HW140VHA2(-BS)
 PUHZ-HW140VHA2R1(-BS)
 PUHZ-HW140VHA2R2(-BS)
 PUHZ-HW140VHA2R3(-BS)
 PUHZ-HW140VHA2R4(-BS)
 PUHZ-HW140VHA2R5(-BS)
 PUHZ-HW140VHA2R6(-BS)
 PUHZ-HW140VHA2R7(-BS)

PUHZ-HW140YHA(-BS)
 PUHZ-HW140YHA2(-BS)
 PUHZ-HW140YHA2R1(-BS)
 PUHZ-HW140YHA2R3(-BS)
 PUHZ-HW140YHA2R4(-BS)
 PUHZ-HW140YHA2R5(-BS)
 PUHZ-HW140YHA2R6(-BS)
 PUHZ-HW140YHA2R7(-BS)

→ : Indicates the visible parts in the photos/figures.

OPERATING PROCEDURE	PHOTOS/FIGURES
<p>1. Removing the service panel and top panel</p> <p>(1) Remove 3 service panel fixing screws (5 × 12) and slide the hook on the right downward to remove the service panel.</p> <p>(2) Remove screws (3 for front, 3 for rear/5 × 12) of the top panel and remove it.</p> <p>Note: When removing service panel and top panel at the same time, count one less screw since they share a screw.</p>	<p>Photo 1</p> 
<p>2. Removing the fan motor (MF1, MF2)</p> <p>(1) Remove the service panel. (See Photo 1)</p> <p>(2) Remove the top panel. (See Photo 1)</p> <p>(3) Remove 5 fan grille fixing screws (5 × 12) to detach the fan grille. (See Photo 1)</p> <p>(4) Remove a nut (for right handed screw of M6) to detach the propeller. (See Photo 2)</p> <p>(5) Disconnect the connectors, CNF1 and CNF2 on controller circuit board in electrical parts box.</p> <p>(6) Loosen the clamp for the lead wire on motor support and separator.</p> <p>(7) Remove 4 fan motor fixing screws (5 × 20) to detach the fan motor. (See Photo 3)</p> <p>Note: When attaching the fan motor, make sure to route the cable through the hook below the fan motor and fix firmly with the clamp. (HW-HA2R5/R6/R7 model only)</p>	<p>Photo 2</p>  <p>Photo 3</p> 

OPERATING PROCEDURE

3. Removing the electrical parts box

- (1) Remove the service panel. (See Photo 1)
- (2) Remove the top panel. (See Photo 1)
- (3) Disconnect the indoor/outdoor connecting wire and power supply wire from terminal block.
- (4) Disconnect the connectors of CNF1, CNF2, LEV-A, LEV-B and LEV-C on the controller circuit board.
<Symbols on the board>

- CNF1, CNF2 : Fan motor

- LEV-A, LEV-B, LEV-C : LEV-A, LEV-B, LEV-C

Remove the lead wires of LEV from wire clip (V type) or clamp (Y type).

Disconnect the pipe-side connections of the following parts.

- Thermistor <Liquid>(TH3)
 - Thermistor <Discharge>(TH4)
 - Thermistor <Plate HEX liquid>(TH6)
 - Thermistor <Ambient>(TH7)
 - Thermistor <Inlet water> (TH32)
 - Thermistor <Suction> (TH33)
 - Thermistor <Comp. surface> (TH34)
 - High pressure switch (63H)
 - Low pressure switch (63L)
 - High pressure sensor (63HS)
 - 4-way valve coil (21S4)
- (5) Remove the terminal cover and disconnect the compressor lead wire.
 - (6) Remove the sensor holder from the rear guard on back of the unit.
 - (7) Remove 2 electrical parts box fixing screws (4 × 10) and detach the electrical parts box by pulling it upward. The electrical parts box is fixed with 2 hooks on the left and 1 hook on the right.

PHOTOS/FIGURES

Photo 4 (PUHZ-HW112/140Y)

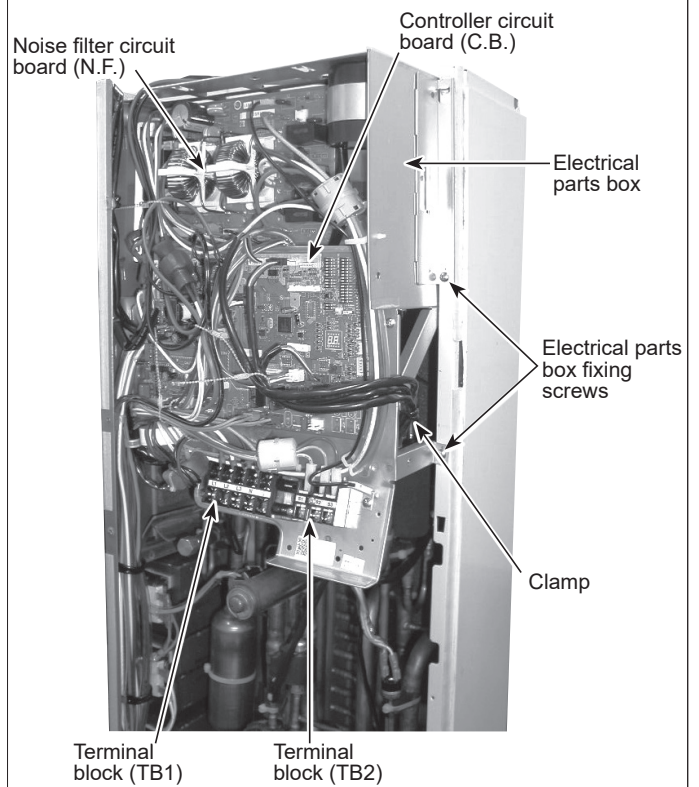
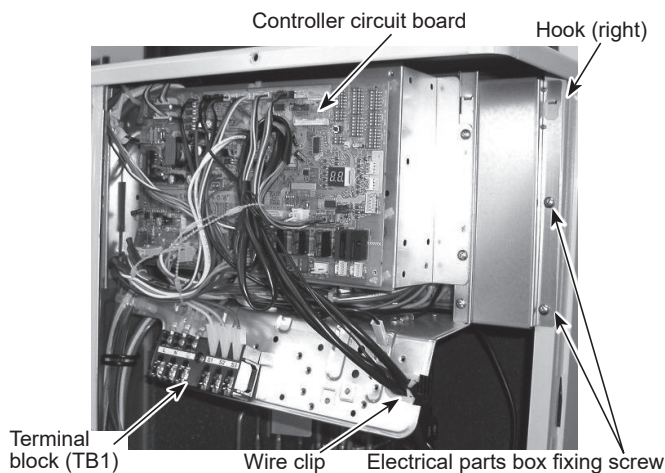


Photo 5 (PUHZ-HW140V)



OPERATING PROCEDURE

4. Disassembling the electrical parts box (PUHZ-HW112/140Y)

- (1) Disconnect all the connectors on the controller circuit board.
- (2) Remove the 3 screws, screw ①, ② and ③, that fix the plate equipped with the outdoor controller circuit board, and the electrical parts box, screw ① from the front and the screw ② and ③ from the bottom of the electrical parts box. (See Photo 6 and 7)
- (3) Slide the plate in the direction of the arrow A and remove it. (See Photo 6)
- (4) Remove the lead wires from the clamp on the bottom of the electrical parts box. (See Photo 8)
- (5) Remove the 3 screws, screw ④ and ⑤, that fix the bottom side of the electrical parts box and remove the bottom side plate by sliding in the direction of the arrow B. (See Photo 8 and 9)
- (6) Remove the noise filter circuit board. (See Photo 10)
- (7) Remove the screw ⑥ and ⑦, and remove the plate that equips the converter circuit board. (See Photo 9)
- (8) Remove the converter circuit board from the plate. (See Photo 9)

Note: When reassembling the electrical parts box, make sure the wirings are correct.

PHOTOS/FIGURES

Photo 6

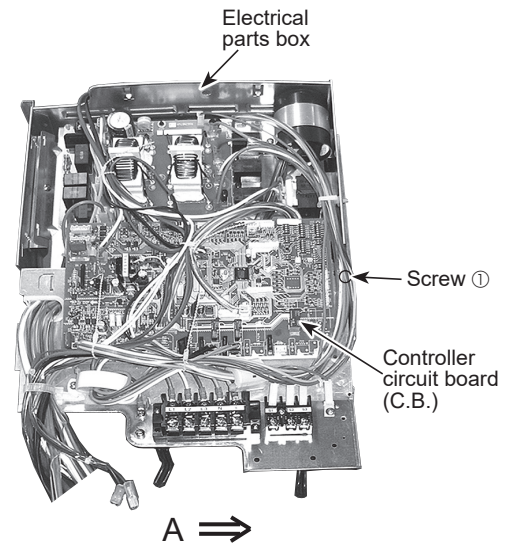


Photo 7

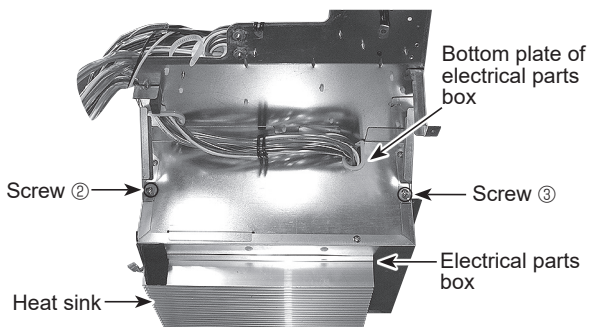


Photo 8

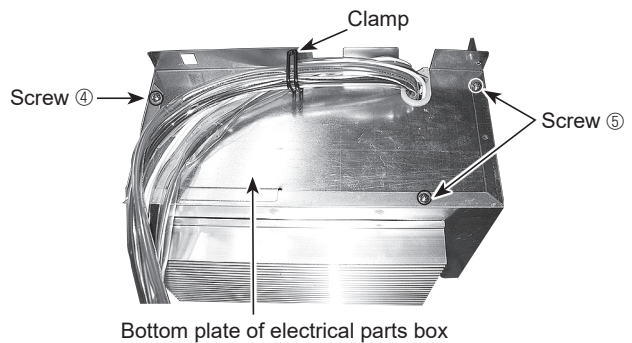


Photo 9

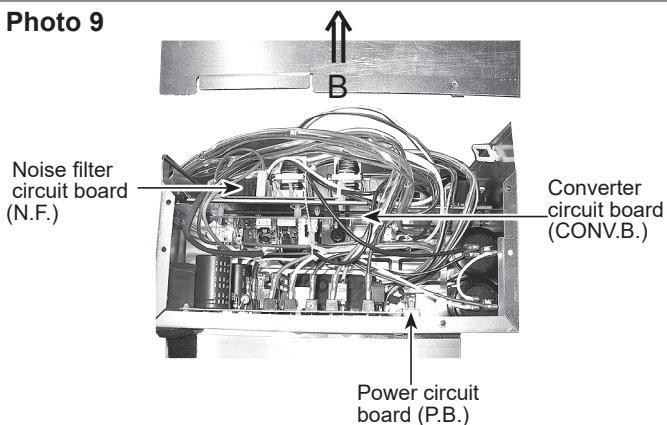
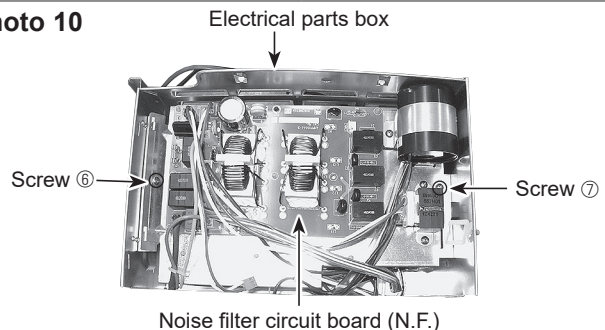


Photo 10



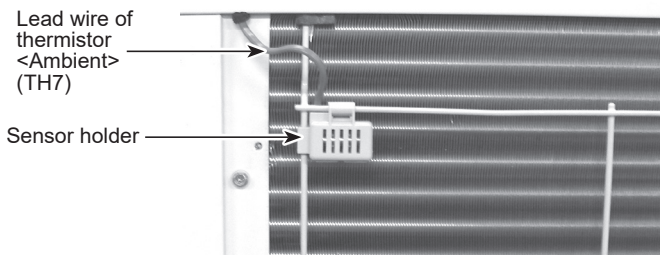
OPERATING PROCEDURE

5. Removing the thermistor <Plate HEX liquid> (TH6) and thermistor <Ambient> (TH7)

- (1) Remove the service panel. (See Photo 1)
- (2) Remove the top panel. (See Photo 1)
- (3) Disconnect the connectors, TH7/6 (red) on the controller circuit board in the electrical parts box.
- (4) Loosen the 2 wire clamps on top of the electrical parts box.
- (5) Loosen the cable strap and wire clamp for the lead wire on the bottom of the electrical parts box.
- (6) Pull out the thermistor <Plate HEX liquid> (TH6) and thermistor <Ambient> (TH7) from the sensor holder.

Note: In case of replacing thermistor <Plate HEX liquid> (TH6) or thermistor <Ambient> (TH7), replace it together.

Photo 12



6. Removing the thermistor <Discharge> (TH4) and thermistor <Comp. surface> (TH34)

- (1) Remove the service panel. (See Photo 1)
- (2) Disconnect the connector TH4 (white) on the controller circuit board in the electrical parts box.
- (4) Loosen the wire clamps bottom of the electrical parts box and separator.
- (5) Pull out the thermistor <Discharge> (TH4) from the sensor holder.

[Removing the thermistor <Comp. surface> (TH34) for HW•HA2R3–R7 models]

- (5) Pull out the thermistor <Comp. surface> (TH34) from the holder of the compressor shell.

PHOTOS/FIGURES

Photo 11

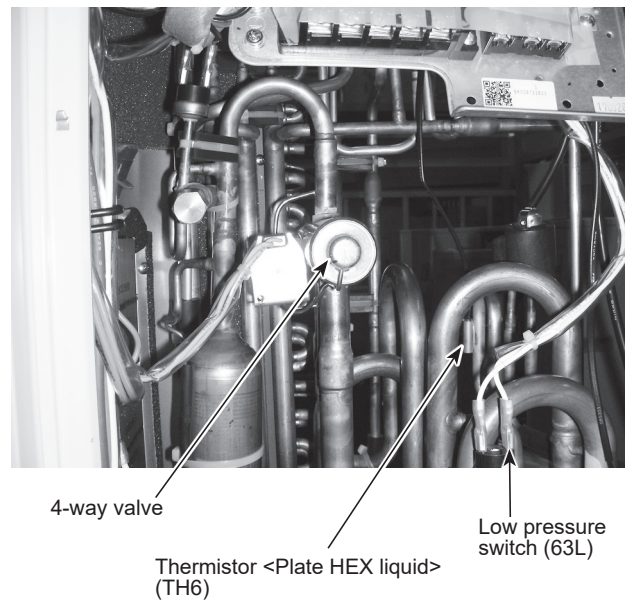
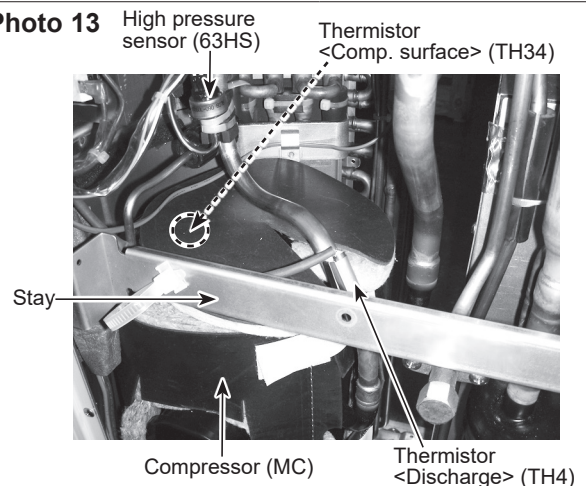


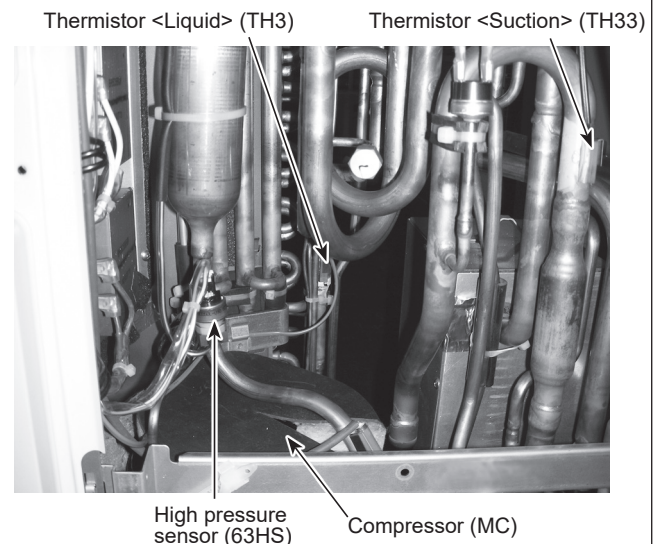
Photo 13



7. Removing the thermistor <Liquid> (TH3) and thermistor <Suction> (TH33)

- (1) Remove the service panel. (See Photo 1)
- (2) Disconnect the connectors TH3 (white) and TH33 (yellow) on the controller circuit board in the electrical parts box.
- (3) Loosen the wire clamps bottom of the electrical parts box and separator.
- (4) Pull out the thermistor <Liquid> (TH3), <Suction> (TH33) from the sensor holder.

Photo 14



OPERATING PROCEDURE

PHOTOS/FIGURES

8. Removing the 4-way valve coil (21S4), and LEV coil (LEV-A, LEV-B, LEV-C)

- (1) Remove the service panel. (See Photo 1)
- (2) Remove the top panel. (See Photo 1)
- [Removing the 4-way valve coil] (See Photo 15)**
- (3) Remove 4-way valve coil fixing screw (M4 × 6).
- (4) Remove the 4-way valve coil by sliding the coil toward you.
- (5) Loosen the cable strap and wire clamp for lead wire on the electrical parts box and separator.
- (6) Disconnect the connector 21S4 (green) on the controller circuit board in the electrical parts box.

[Removing the LEV coil] (See Photo 16)

- (3) Remove the LEV coil by sliding the coil upward.
- (4) Loosen the wire clip or clamp for lead wire on the electrical parts box.
- (5) Disconnect the connectors, LEV-A (white), LEV-B (red) and LEV-C (blue) on the controller circuit board in the electrical parts box.

9. Removing the 4-way valve

- (1) Remove the service panel. (See Photo 1)
- (2) Remove the top panel. (See Photo 1)
- (3) Remove the electrical parts box. (See Photo 4, 5)
- (4) Remove 3 valve bed fixing screws (4 × 10), 2 valve and fixing screws (5 × 16) then remove the stay.
- (5) Remove cover panel (front) fixing screws (2 for front/5 × 12) to remove the cover panel (front).
- (6) Remove 5 right side panel (R) fixing screws (5 × 12) (4: rear of the unit/1: right side base) and remove the side panel (R).
- (7) Recover refrigerant.
- (8) Remove the welded part of 4-way valve.

Note 1: Recover refrigerant without spreading it in the air.

Note 2: The welded part can be removed easily by removing the side panel (R).

Note 3: When installing the 4-way valve, cover it with a wet cloth to prevent it from heating (120°C or more), then braze the pipes so that the inside of pipes are not oxidized.

10. Removing LEV

- (1) Remove the service panel. (See Photo 1)
- (2) Remove the top panel. (See Photo 1)
- (3) Remove the electrical parts box. (See Photo 4, 5)
- (4) Remove 3 valve bed fixing screws (4 × 10), 2 valve and fixing screws (5 × 16) then remove the stay.
- (5) Remove cover panel (front) fixing screws (2 for front/5 × 12) to remove the cover panel (front).
- (6) Remove 5 right side panel (R) fixing screws (5 × 12) (4: rear of the unit/1: right side base) and remove the side panel (R).
- (7) Remove the LEV coil.
- (8) Recover refrigerant.
- (9) Remove the welded part of LEV.

Note 1: Recover refrigerant without spreading it in the air.

Note 2: The welded part can be removed easily by removing the side panel (R).

Note 3: When installing the LEV, cover it with a wet cloth to prevent it from heating (120°C or more), then braze the pipes so that the inside of pipes are not oxidized.

11. Removing the high pressure switch (63H) (See Photo 15) and the low pressure switch (63L)

- (1) Remove the service panel. (See Photo 1)
- (2) Remove the top panel. (See Photo 1)
- (3) Remove the electrical parts box. (See Photo 4, 5)
- (4) Remove 3 valve bed fixing screws (4 × 10), 2 valve and fixing screws (5 × 16) then remove the stay.
- (5) Remove cover panel (front) fixing screws (2 for front/5 × 12) to remove the cover panel (front).
- (6) Remove 5 right side panel (R) fixing screws (5 × 12) (4: rear of the unit/1: right side base) and remove the side panel (R).
- (7) Recover refrigerant.
- (8) Remove the welded part of high pressure switch and low pressure switch.

Note 1: Recover refrigerant without spreading it in the air.

Note 2: The welded part can be removed easily by removing the side panel (R).

Note 3: When installing the high pressure switch, cover it with a wet cloth to prevent it from heating (100°C or more), then braze the pipes so that the inside of pipes are not oxidized.

Photo 15

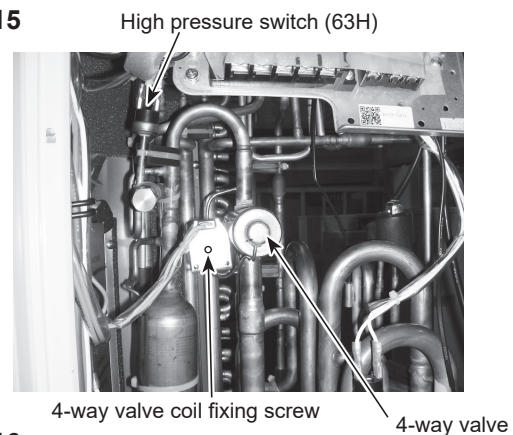


Photo 16

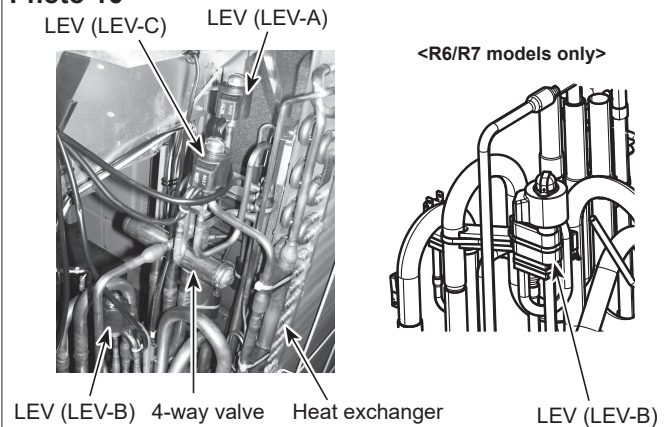
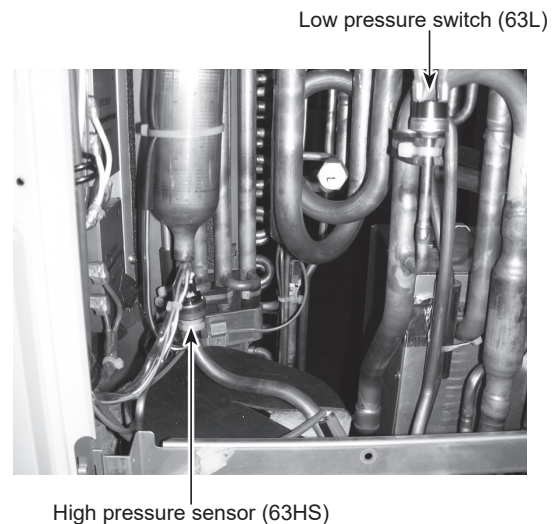
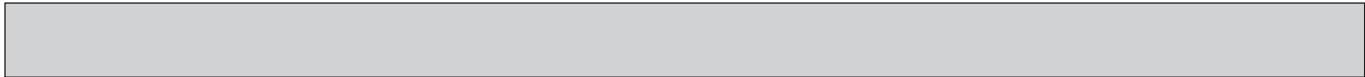
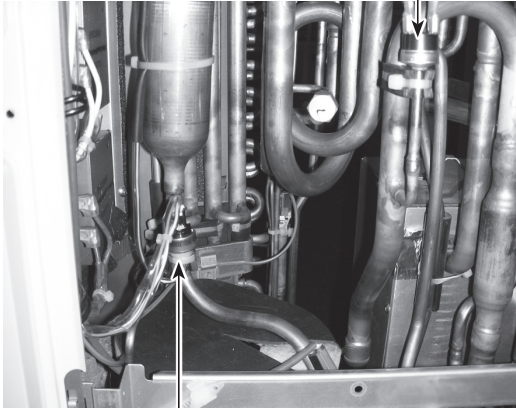
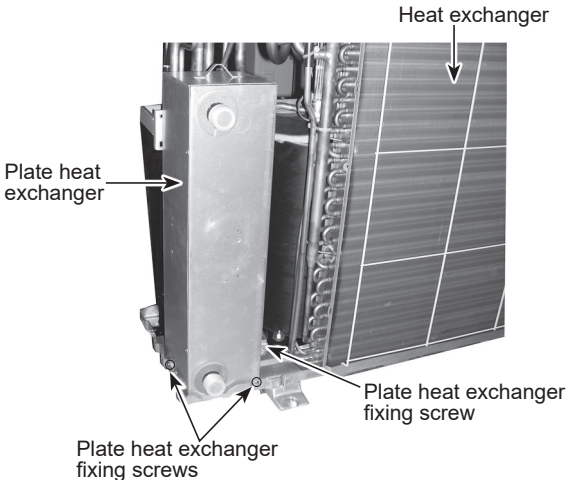


Photo 17





OPERATING PROCEDURE	PHOTOS/FIGURES
<p>12. Removing high pressure sensor (63HS)</p> <ol style="list-style-type: none">(1) Remove the service panel. (See Photo 1)(2) Remove the top panel. (See Photo 1)(3) Remove the electrical parts box. (See Photo 4, 5)(4) Remove 3 valve bed fixing screws (4 × 10), 2 valve and fixing screws (5 × 16) then remove the stay.(5) Remove cover panel (front) fixing screws (2 for front/5 × 12) to remove the cover panel (front).(6) Remove 5 right side panel (R) fixing screws (5 × 12) (4: rear of the unit/1: right side base) and remove the side panel (R).(7) Recover refrigerant.(8) Remove the welded part of high pressure sensor. <p>Note 1: Recover refrigerant without spreading it in the air.</p> <p>Note 2: The welded part can be removed easily by removing the side panel (R).</p> <p>Note 3: When installing the high pressure sensor, make sure to cover it with a wet cloth to prevent it from heating (100°C or more), then braze the pipes so that the inside of pipes are not oxidized.</p>	<p>Photo 18</p>  <p>Low pressure switch (63L)</p> <p>High pressure sensor (63HS)</p>
<p>13. Removing the plate heat exchanger</p> <ol style="list-style-type: none">(1) Remove the service panel. (See Photo 1)(2) Remove the top panel. (See Photo 1)(3) Remove the electrical parts box. (See Photo 4, 5)(4) Remove 3 valve bed fixing screws (4 × 10), 2 valve and fixing screws (5 × 16) then remove the stay.(5) Remove cover panel (front) fixing screws (2 for front/5 × 12) to remove the cover panel (front).(6) Remove 5 right side panel (R) fixing screws (5 × 12) (4: rear of the unit/1: right side base) and remove the side panel (R).(7) Recover the refrigerant.(8) Remove 2 welded pipes of plate heat exchanger inlet and outlet.(9) Remove 3 plate heat exchanger fixing screws (4 × 10), then remove the plate heat exchanger. <p>Note 1: Recover refrigerant without letting it out in the air.</p> <p>Note 2: Before removing the thermistor <Inlet water> (TH32), recover water in the plate heat exchanger</p>	<p>Photo 19</p>  <p>Heat exchanger</p> <p>Plate heat exchanger</p> <p>Plate heat exchanger fixing screw</p> <p>Plate heat exchanger fixing screws</p>

OPERATING PROCEDURE

14. Removing the reactors (ACL1, ACL2, ACL3) (PUHZ-HW112/140Y)

- (1) Remove the service panel. (See Photo 1)
- (2) Remove the top panel. (See Photo 1)
- (3) Remove the 6 screws, that fix the front panel and remove the front panel.
- (4) Remove the 2 screws, screw ⑧ and ⑨ (both 4 × 10), that fix the separator, screw ⑧ from the stay and screw ⑨ from the bottom of the separator, and tilt the separator to the side of the fan motor slightly. (See Photo 20)
- (5) Disconnect the lead wires from the reactor and remove the 4 screws, screw ⑩, that fix the reactor to remove the reactor. (See Photo 21 and 22)

Note 1: The reactor is very heavy (4 kg)!

Be careful when handling it.

Note 2: The reactor box is also removable.

PHOTOS/FIGURES

Photo 20

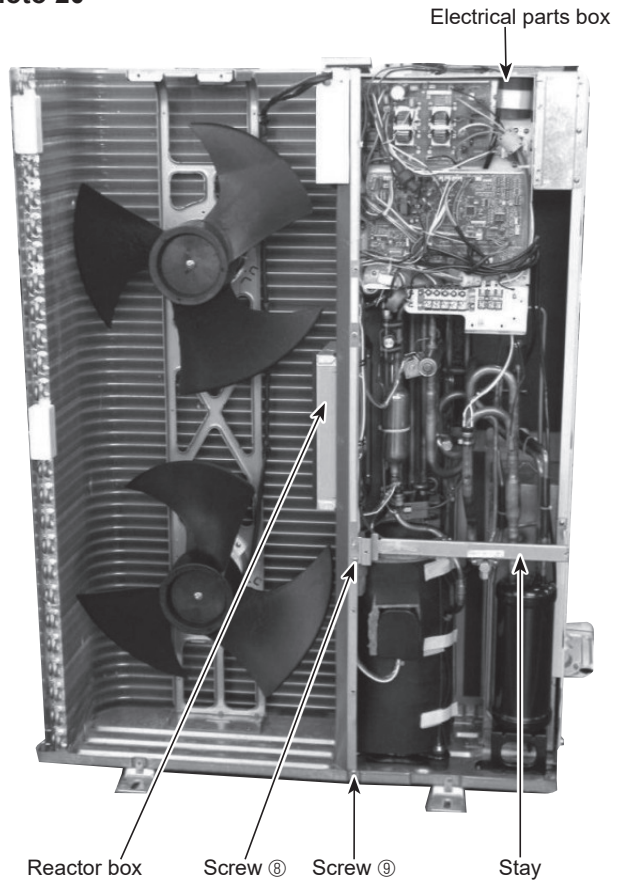


Photo 22

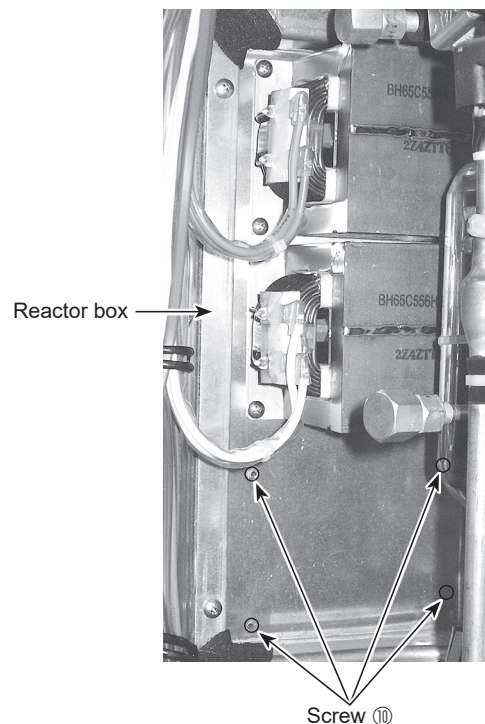
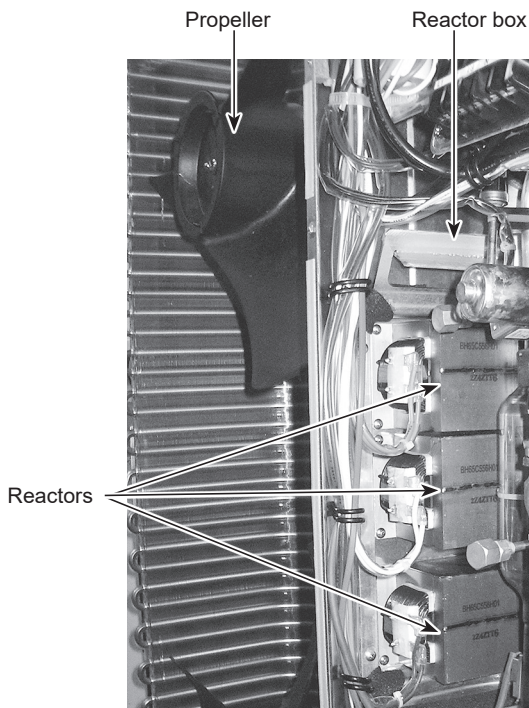


Photo 21



OPERATING PROCEDURE

15. Removing the compressor (MC)

- (1) Remove the service panel. (See Photo 1)
- (2) Remove the top panel. (See Photo 1)
- (3) Remove the electrical parts box. (See Photo 4, 5)
- (4) Remove 3 valve bed fixing screws (4 × 10), 2 valve and fixing screws (5 × 16) then remove the stay.
- (5) Remove cover panel (front) fixing screws (2 for front/5 × 12) to remove the cover panel (front).
- (6) Remove 5 right side panel (R) fixing screws (5 × 12) (4:rear of the unit/1: right side base) and remove the side panel (R).
- (7) Remove 3 separator fixing screws (4 × 10) and remove the separator.
- (8) Remove the soundproof cover for compressor.
- (9) Remove the terminal cover and remove the compressor lead wire.
- (10) Recover refrigerant.
- (11) Remove the 3 points of the compressor fixing nut using a spanner or a adjustable wrench.
- (12) Remove the welded pipe of compressor inlet and outlet then remove the compressor.

Note: Recover refrigerant without spreading it in the air.

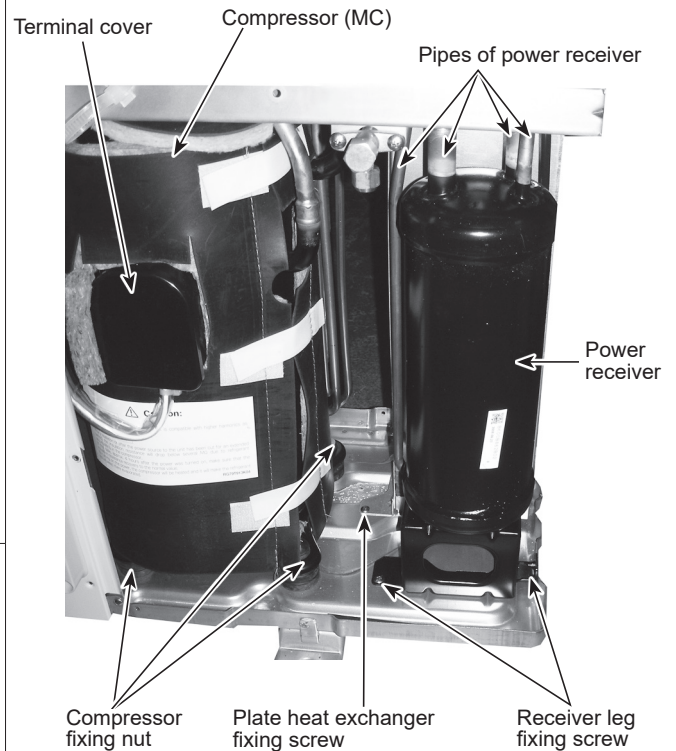
16. Removing the power receiver

- (1) Remove the service panel. (See Photo 1)
- (2) Remove the top panel. (See Photo 1)
- (3) Remove the electrical parts box. (See Photo 4, 5)
- (4) Remove 3 valve bed fixing screws (4 × 10), 2 valve and fixing screws (5 × 16) then remove the stay.
- (5) Remove cover panel (front) fixing screws (2 for front/5 × 12) to remove the cover panel (front).
- (6) Remove 5 right side panel (R) fixing screws (5 × 12) (4:rear of the unit/1: right side base) and remove the side panel (R).
- (7) Recover refrigerant.
- (8) Remove 4 welded pipes of power receiver inlet and outlet.
- (9) Remove 2 receiver leg fixing screws (4 × 10).

Note: Recover refrigerant without spreading it in the air.

PHOTOS/FIGURES

Photo 23



MITSUBISHI ELECTRIC CORPORATION

HEAD OFFICE: TOKYO BUILDING, 2-7-3, MARUNOUCHI, CHIYODA-KU, TOKYO 100-8310, JAPAN

©Copyright 2008 MITSUBISHI ELECTRIC CORPORATION

Issued: Oct. 2020 No. OCH439 REVISED EDITION-N
Issued: Apr. 2019 No. OCH439 REVISED EDITION-M
Issued: Dec. 2017 No. OCH439 REVISED EDITION-L
Issued: Jul. 2015 No. OCH439 REVISED EDITION-K
Issued: Nov. 2014 No. OCH439 REVISED EDITION-J
Issued: Aug. 2012 No. OCH439 REVISED EDITION-H
Issued: Jan. 2012 No. OCH439 REVISED EDITION-G
Issued: Dec. 2011 No. OCH439 REVISED EDITION-F
Issued: Oct. 2011 No. OCH439 REVISED EDITION-E
Issued: May. 2011 No. OCH439 REVISED EDITION-D
Issued: Nov. 2009 No. OCH439 REVISED EDITION-C PDF 7
Issued: Jun. 2009 No. OCH439 REVISED EDITION-B PDF 7
Issued: Sep. 2008 No. OCH439 REVISED EDITION-A PDF 7
Published: Apr. 2008 No. OCH439 PDF 8
Made in Japan

Specifications are subject to change without notice.