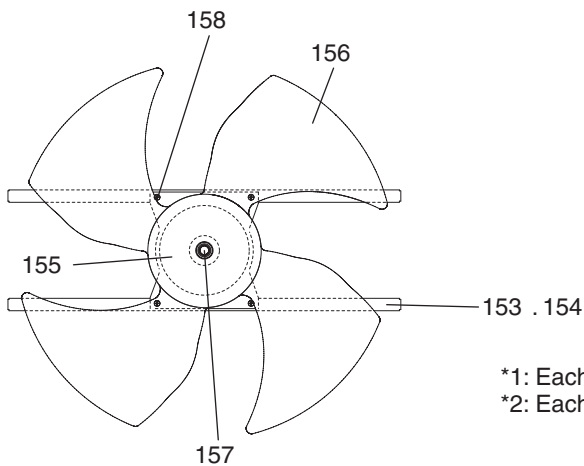
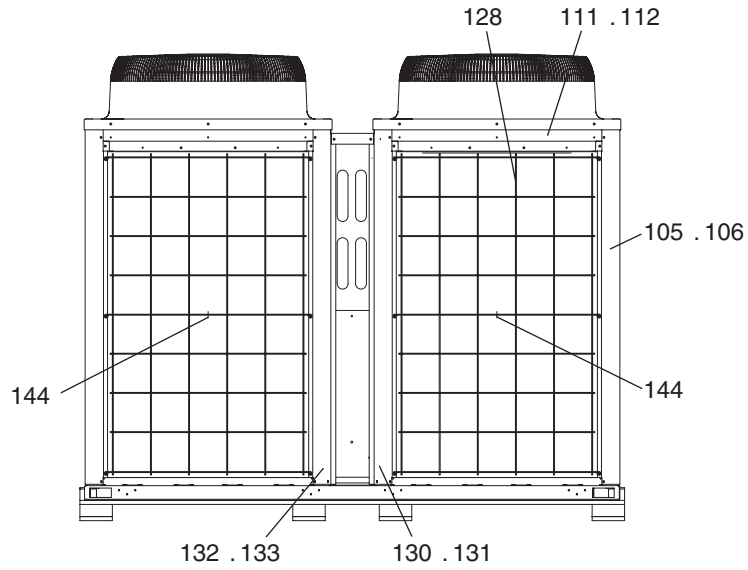
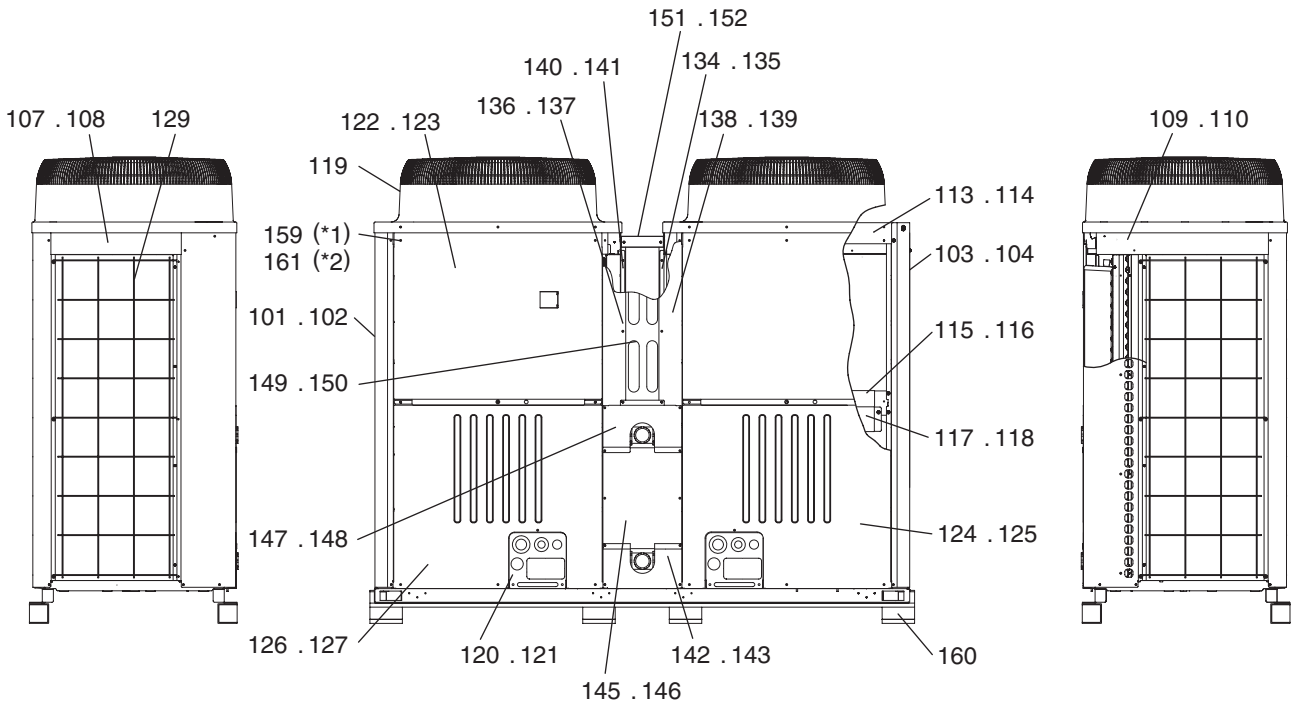


SERVICE PARTS LIST FOR MITSUBISHI ELECTRIC REFRIGERATION SYSTEMS:HOT WATER HEAT PUMP UNIT

Series : CAHV-P·YB-HPB(-BS)

Feb. 2015
BWE015030

INDEX
CAHV-P500YB-HPB
CAHV-P500YB-HPB-BS



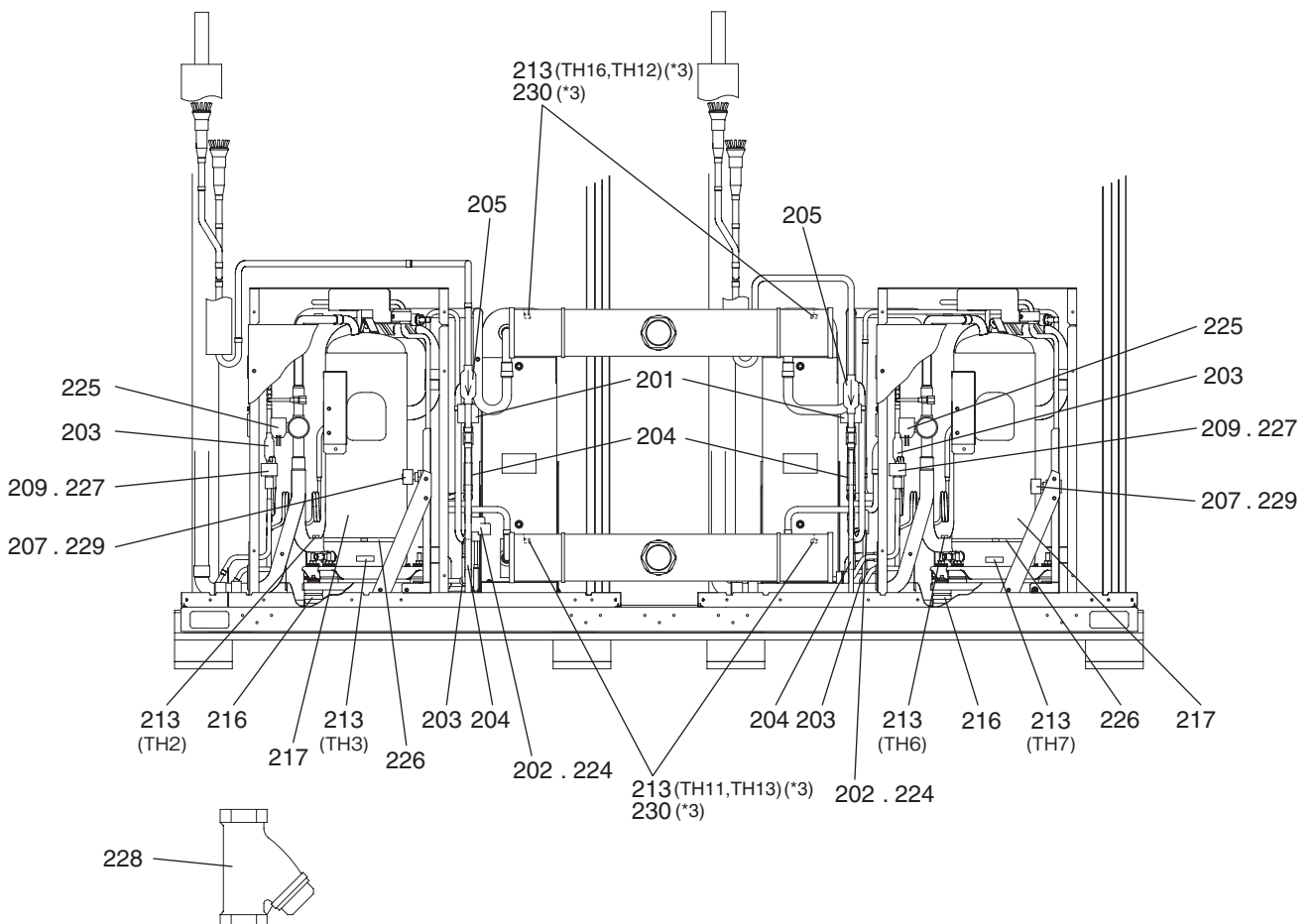
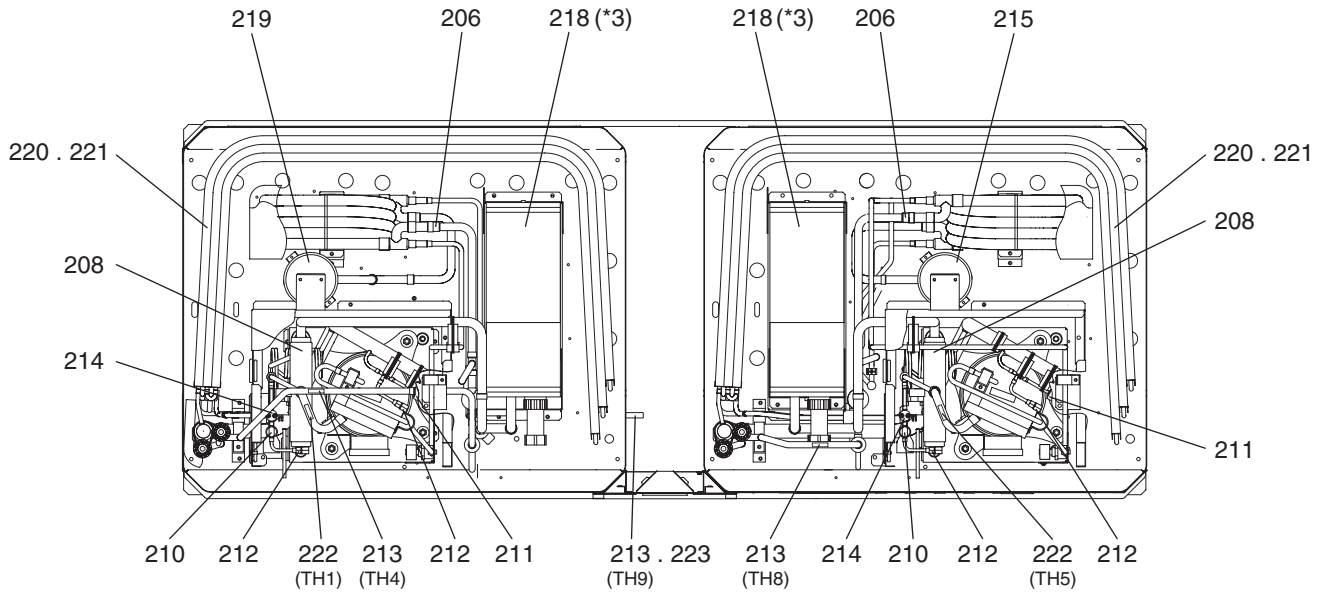
*1: Each unit requires 126 H screws (Part No. 159).
*2: Each unit requires 36 WFT screws (Part No. 161).

No.	Part No.	G : RoHS Apply Only W : RoHS Apply by Running Change		Spec.	CAHV-P500YB-HPB	CAHV-P500YB-HPB-BS					Dwg. No.	Notes for the models	Revision info.
			Part Name										
101	R11 019 626	G	Pillar LF		1						KB02A011G07		
102	R11 020 626	G	Pillar LF	BS	1						KB02A011G08		
103	R11 014 626	G	Pillar RF		1						KB02A012G07		
104	R11 015 626	G	Pillar RF	BS	1						KB02A012G08		
105	R63 002 627	G	Pillar B		2						KB02A013G07		
106	R63 003 627	G	Pillar B	BS	2						KB02A013G08		
107	R63 038 162	G	Frame assy L		2						KD00G100G01		
108	R63 040 162	G	Frame assy L	BS	2						KD00G100G02		
109	R63 039 162	G	Frame assy R		2						KD00G101G01		
110	R63 041 162	G	Frame assy R	BS	2						KD00G101G02		
111	R63 001 216	G	Frame assy B		2						KB00C162G10		
112	R63 002 216	G	Frame assy B	BS	2						KB00C162G11		
113	R63 004 668	G	Frame F		2						KB02J208H01		
114	R12 036 215	G	Frame FB	BS	2						KB02J208G03		
115	R63 013 111	G	Frame assy MU		2						KB00C887G01		
116	R63 014 162	G	Frame assy MU	BS	2						KB00C887G07		
117	R12 024 215	G	Frame assy MB		2						KC00G639G01		
118	R12 026 215	G	Frame assy MB	BS	2						KC00G639G03		
119	R63 4H6 118	G	Fan guard		2	2					KB25A008H07		
120	R61 095 690	G	Cover piping	R2	2						KB02L001G07		
121	R61 094 690	G	Cover piping	R2 BS	2						KB02L001G08		
122	R12 007 669	G	Panel assy FU		2						KN00G568G07		
123	R12 040 661	G	Panel assy FU	BS	2						KN00G568G08		
124	R61 003 652	G	Panel assy FB		1						KB02B392H04		
125	R61 004 652	G	Panel assy FB	BS	1						KB02B392G06		
126	R61 157 651	G	Panel assy FBL		1						KB02J308H02		
127	R61 162 651	G	Panel assy FBL	BS	1						KB02J308G03		
128	R63 004 611	G	Fin guard B		2	2					KB07T208G01		
129	R61 007 611	G	Fin guard LR		2	2					KB07C043G03		
130	R12 001 626	G	Pillar B(R)		1						KC02B363G05		
131	R12 013 626	G	Pillar B(R)	BS	1						KC02B363G06		
132	R12 002 626	G	Pillar B(L)		1						KC02B363G07		
133	R12 012 626	G	Pillar B(L)	BS	1						KC02B363G08		
134	R12 003 626	G	Pillar RF		1						KC02B338G09		
135	R12 007 626	G	Pillar RF	BS	1						KC02B338G10		
136	R12 004 626	G	Pillar F(L)		1						KC02B337G13		
137	R12 008 626	G	Pillar F(L)	BS	1						KC02B337G14		
138	R12 005 626	G	Pillar F(R)		1						KC02B337G15		
139	R12 009 626	G	Pillar F(R)	BS	1						KC02B337G16		
140	R12 014 626	G	Pillar assy LF		1						KC00H676G01		
141	R12 015 626	G	Pillar assy LF	BS	1						KC00H676G02		
142	R12 075 661	G	Panel B		1						KC02L798G01		
143	R12 076 661	G	Panel B	BS	1						KC02L798G02		
144	R63 L59 060	G	Guard fixed plate		2	2					W893727H03		
145	R12 009 669	G	Panel M		1						KC02G150G05		

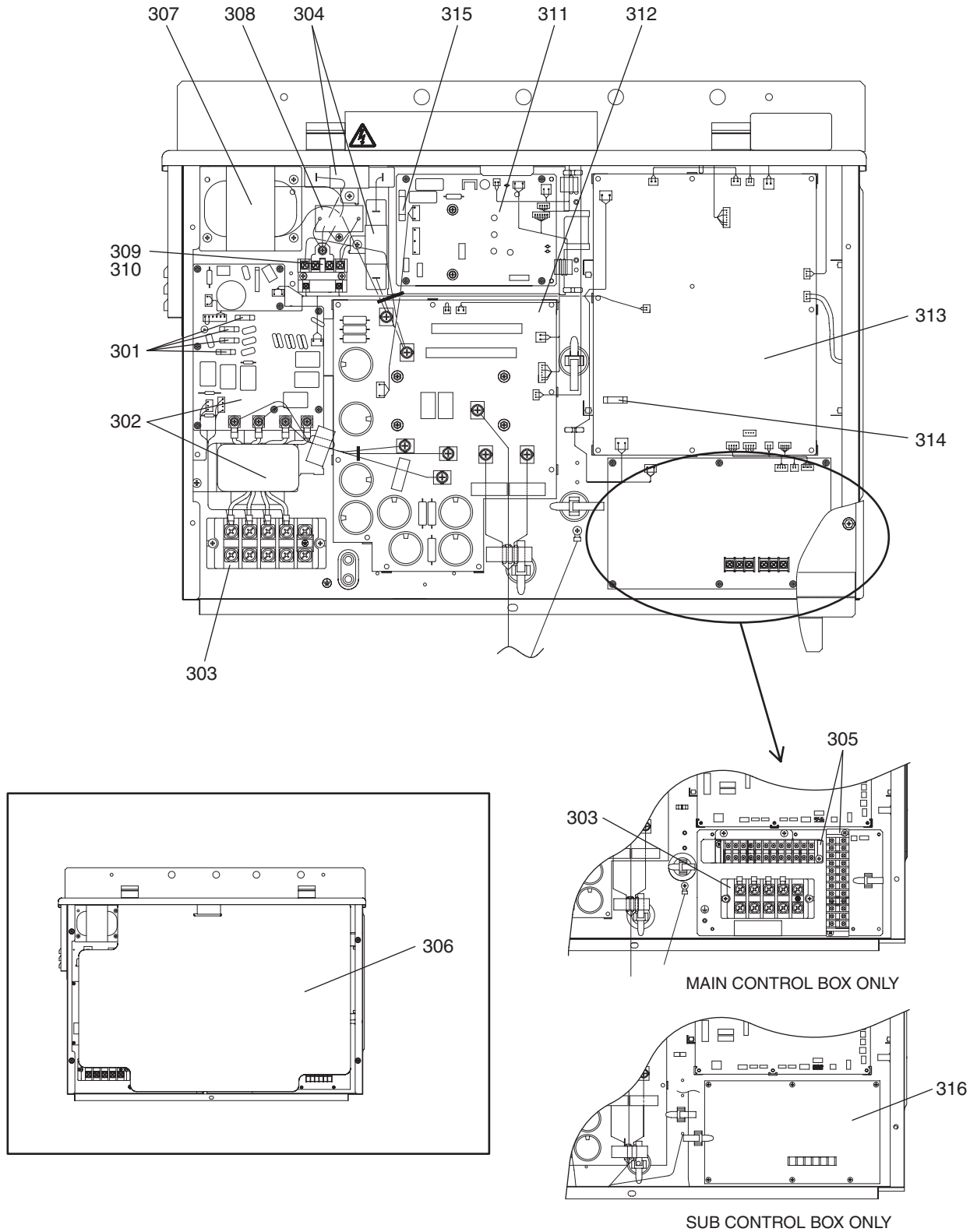
**CAHV-P500YB-HPB
CAHV-P500YB-HPB-BS**

EXTERNAL PARTS & BLOWER PARTS

No.	Part No.	G : RoHS Apply Only W : RoHS Apply by Running Change		Spec.	CAHV-P500YB-HPB	CAHV-P500YB-HPB-BS						Dwg. No.	Notes for the models	Revision info.	
			Part Name												
146	R12 041 661	G	Panel M	BS		1							KC02G150G06		
147	R12 077 661	G	Panel 1			1							KC02L797G01		
148	R12 078 661	G	Panel 1	BS		1							KC02L797G02		
149	R12 011 669	G	Panel assy F			1							KC00F730G03		
150	R12 043 661	G	Panel assy F	BS		1							KC00F730G04		
151	R12 012 669	G	Panel TOP			1							KC02G028G05		
152	R12 001 641	G	Panel TOP	BS		1							KC02G028G06		
153	R63 4H6 140	G	Base fan			4							KB02D050H01		
154	R63 4H7 140	G	Base fan	BS		4							KB02D050G05		
155	R61 122 220	G	Motor	YC920IA		2	2						P780109X03		
156	R63 4H6 300	G	Fan			2	2						KB25A009H04		
157	R63 4H6 122	G	Box nut	M12 CH		2	2						P552000X01		
158	R63 014 087	G	Upset screw	M6 x 10		8	8						P516047X01		
159	R63 007 087	G	H screw	5 x 10 KNURLED (30 pcs)		5	5						KB00H418G14	*1	
160	R61 016 130	G	Attachment leg			8	8						KD02T773G01		
161	R63 006 087	G	WFT screw	5 x 12 (30 pcs)		2	2						KB00H418G01	*2	



*3: When part 213 (TH11 through TH13, and TH16) or part 218 is replaced, replace part 230 as well.



No.	Part No.	G : RoHS Apply Only W : RoHS Apply by Running Change		Spec.	CAHV-P500YB-HPB	CAHV-P500YB-HPB-BS					Dwg. No.	Notes for the models	Revision info.
			Part Name										
301	R63 993 964	G	Fuse	6.3A AC250V T	4	4					KG00S514G01		
302	R61 015 293	G	Noise filter	30PYTST4C7-1	2	2					KE80C155G05		
303	R61 007 246	G	Terminal block	HP-T3011A105PL2S	3	3					S436005H12		
304	R61 001 234	G	Resistor	MFS40A220KI	4	4					P411151X01		
305	R63 365 782	G	Terminal block	12P	2	2					P436134X01		
306	R12 017 310	G	Sheet		2	2					KE73C397G02		
307	R61 012 259	G	Reactor	38A 1.92MH	2	2					P715441X02		
308	R61 001 255	G	Capacitor assy		2	2					KE00D263G01		
309	R61 003 216	G	Relay	AHE2231-K1	2	2					P421295X01		
310	R61 018 246	G	Short terminal relay		2	2					KE03D215H02		
311	R61 037 280	G	PCA board assy	INVS06Y	2	2					W652171G07		
312	R12 027 937	G	PCA board assy	INV20Y	2	2					KE80C154G18		
313	R12 029 937	G	PCA board assy	CH10	2	2					KE80C940G02		
314	R61 005 239	G	Fuse	HT 3.15A N5	2	2					S423001H39		
315	R61 016 239	G	Fuse	SHV14 10A	2	2					S423001H36		
316	R61 012 281	G	M-NET board		1	1					KE80C055G03		

mitsubishi
electric
corporation

BWE015030 (20150228)