

MXZ-HA R32

Multi-Split Outdoor Units

Inverter Heat Pump (4-5kW)

Mseries

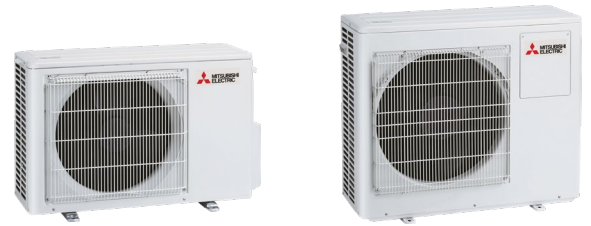
The **MXZ-HA** range of multi-split outdoor units connects to our MSZ-HR classic wall mounted indoor units. Together they form exceptional value small multi-split systems that can be used in a wide range of applications such as residential spaces, small offices and light commercial premises.

R32

Key Features & Benefits:

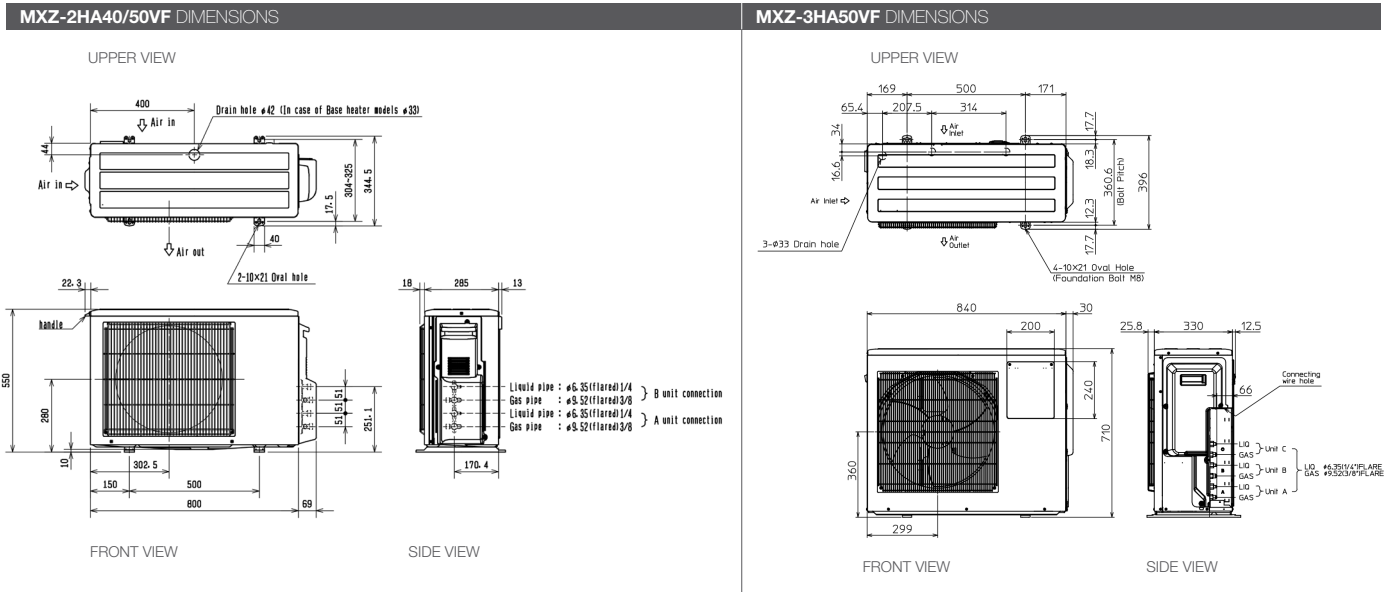
- 2 or 3 indoor units can be connected to a single outdoor unit
- Available in 4 or 5kW capacities
- 30-50m total system piping length
- MSZ-HR connection only





MXZ-HA OUTDOOR UNITS		MXZ-2HA40VF	MXZ-2HA50VF	MXZ-3HA50VF
NUMBER OF CONNECTABLE INDOOR UNITS		2	2	2 - 3
CAPACITY (kW)		Heating (nominal) 4.3 (1.0 - 4.7) Cooling (nominal) 4.0 (1.1 - 4.3) Heating (UK) 3.61 (0.84 - 3.95) Cooling (UK) 4.00 (1.10 - 4.30)	6.0 (1.0 - 6.4) 5.0 (1.1 - 5.4) 5.04 (0.84 - 5.38) 5.00 (1.10 - 5.40)	6.0 (2.6 - 7.5) 5.0 (2.9 - 6.5) 5.04 (2.18 - 6.30) 4.50 (2.61 - 5.85)
COP / EER (nominal)		4.73 / 3.81	3.90 / 3.29	4.62 / 3.97
SCOP (η _{sh}) / SEER (η _{sc}) (BS EN14825)		4.30 / 8.12	4.30 / 7.78	4.02 / 7.26
ErP ENERGY EFFICIENCY CLASS		Heating / Cooling A+ / A++	A+ / A++	A+ / A++
MAX AIRFLOW (m³/min)		Heating / Cooling 33.5 / 28.4	34.7 / 32.7	29.1 / 31.0
SOUND PRESSURE LEVEL (dBA)		Heating/Cooling 50 / 44	51 / 47	50 / 46
SOUND POWER LEVEL (dBA)		Cooling 59	64	61
DIMENSIONS (mm)		Width x Depth x Height 800 x 285 x 550	800 x 285 x 550	840 x 330 x 710
WEIGHT (kg)		37	37	57
ELECTRICAL SUPPLY		220-240V, 50Hz	220-240V, 50Hz	220-240V, 50Hz
PHASE		Single	Single	Single
POWER INPUT (kW)		Heating/Cooling (nominal) 0.91 / 1.05 Heating/Cooling (UK) 0.82 / 0.90	1.54 / 1.52 1.39 / 1.31	1.30 / 1.26 1.17 / 1.08
STARTING CURRENT (A)		7.6	7.6	6.7
RUNNING CURRENT (A)		Heating/Cooling [MAX] 4.4 / 4.7 [12.2]	6.6 / 6.5 [12.2]	5.6 / 5.4 [18.0]
INTERCONNECTING CABLE No. CORES		4 Core	4 Core	4 Core
TOTAL PIPE LENGTH (m)		30	30	50
MAX PIPE LENGTH PER INDOOR UNIT (m)		20	20	25
MAX HEIGHT DIFFERENCE (m)		15 (10 if OU higher than IU)	15 (10 if OU higher than IU)	15 (10 if OU higher than IU)
CHARGE REFRIGERANT (kg) / CO ₂ EQUIVALENT (t)		R32 (GWP 675) 0.9 / 0.61	0.9 / 0.61	1.4 / 0.95
MAX ADDITIONAL REFRIGERANT (kg) / CO ₂ EQUIVALENT (t)		R32 (GWP 675) 0	0	0.2 / 0.14
FUSE RATING (BS88) - HRC (A)		16	16	20

Note: MSZ-HR connection only.



MITSUBISHI ELECTRIC
Changes for the Better

Telephone: 01707 282880
email: ventilation@meuk.mee.com
les.mitsubishielectric.co.uk

[@meuk_les](https://twitter.com/meuk_les) |
 [in](https://www.linkedin.com/company/mitsubishi-electric-living-environmental-systems-uk) Mitsubishi Electric Living Environmental Systems UK |
 [f](https://www.facebook.com/mitsubishielectricuk_les) Mitsubishi Electric Cooling and Heating UK |
 [ig](https://www.instagram.com/mitsubishielectricuk_les) mitsubishielectricuk_les |
 [yt](https://www.youtube.com/channel/UC...) Mitsubishi Electric Living Environmental Systems UK |
 [BLOG](https://www.blog.mitsubishielectric.co.uk) thehub.mitsubishielectric.co.uk

UNITED KINGDOM Mitsubishi Electric Europe Living Environment Systems Division, Travellers Lane, Hatfield, Hertfordshire, AL10 8XB, England. Telephone: 01707 282880 Fax: 01707 278881
IRELAND Mitsubishi Electric Europe, Westgate Business Park, Ballymount, Dublin 24, Ireland. Telephone: (01) 419 8800 Fax: (01) 419 8890 International code: (003531)

Country of origin: United Kingdom - Japan - Thailand - Malaysia. ©Mitsubishi Electric Europe 2021. Mitsubishi and Mitsubishi Electric are trademarks of Mitsubishi Electric Europe B.V. The company reserves the right to make any variation in technical specification to the equipment described, or to withdraw or replace products without prior notification or public announcement. Mitsubishi Electric is constantly developing and improving its products. All descriptions, illustrations, drawings and specifications in this publication present only general particulars and shall not form part of any contract. All goods are supplied subject to the Company's General Conditions of Sale, a copy of which is available on request. Third-party product and brand names may be trademarks or registered trademarks of their respective owners.

Note: The fuse rating is for guidance only. Please refer to the relevant databook for detailed specification. It is the responsibility of a qualified electrician/electrical engineer to select the correct cable size and fuse rating based on current regulation and site specific conditions. Mitsubishi Electric's air conditioning equipment and heat pump systems contain a fluorinated greenhouse gas, R410A (GWP:2088), R32 (GWP:675), R407C (GWP:1774), R134a (GWP:1430), R513A (GWP:631), R454B (GWP:466), R1234ze (GWP:7) or R1234yf (GWP:4). *These GWP values are based on Regulation (EU) No 517/2014 from IPCC 4th edition. In case of Regulation (EU) No.626/2011 from IPCC 3rd edition, these are as follows. R410A (GWP:1975), R32 (GWP:550), R407C (GWP:1650) or R134a (GWP:1300).

Effective as of May 2021

