

# Mitsubishi Packaged Air-Conditioner Optional Parts

<Model> PAC-SK21AG-E

## Installation Manual for Air Protect Guide

### SAFETY PRECAUTIONS

- Carefully read this section 'Safety Precautions', and securely install the optional parts.
- Be sure to observe the cautions described here: They include critical contents for safety.
- The following indications show the classifications for danger, and possible consequences following incorrect handling.

<b>⚠ WARNING</b>	Incorrect handling could lead to death or serious injury.
<b>⚠ CAUTION</b>	Incorrect handling could lead to injury or damage to house and household articles.

• After installation, perform a test run and make sure that there is no abnormality, and ask your customer to keep this installation sheet with the installation manual at all times. Also ask the customer to transfer these manuals to a new user if the user changes.

### ⚠ WARNING

#### Ask the dealer or specialist for installation.

- If installed incorrectly by user, water leak, electric shock, fire, etc. could result.

#### Carefully install the optional parts according to this installation sheet.

- Incorrect installation could cause water leak, electric shock, fire, etc.

#### Before performing installation (moving) and electrical work

### ⚠ CAUTION

#### Do not place polyethylene bags in reach of young children.

- Putting them over the head will block breathing passages, which could result in suffocation.

#### If electrical work is necessary, use only specified electric wires adapted with current capacity.

- Use of unsuitable wire could cause electric leak, overheating or fire.

#### Securely apply heat-insulation to refrigerant pipe so that no condensation occurs.

- If heat-insulation is inadequate, condensation could occur on the surface of pipes and dewdrops could accumulate on ceiling, floor or important goods.

#### Securely perform drain piping work according to the installation manual so that no condensation occurs.

- If piping work is incorrect, water leak may occur and ceiling, furniture, etc may get wet.

This Air protect guide prevents reverse rotation of outdoor unit fan when it enters low speed rotation mode with fan controller being operated. It is also used for protection of fan when strong winds, such as in a typhoon, wind blowing through tall buildings, etc., directly strike the air outlet. In addition, installation of this product is necessary when cooling operation is to be performed in outside-air temperature of -5°C or lower (down to -15°C).

Pay attention to the following points when installing this product:

- 1) To eliminate the effects of external wind, be sure to install this unit with back surface facing wall side.
- 2) Do not install this unit in orientation or site where wind directly blows at the back of the unit.
- 3) Installing of this product will reduce the capacity of the unit (approx. 2 or 3%) and increase the noise of outdoor unit (approx. 1 or 2 dB)
- 4) Do not use this product where there is any obstacle at either side or above the outdoor unit (discharge air will be blocked): This may cause a short cycle.

A dual fan outdoor unit requires 2 sets of this product.

## 1 Accessories

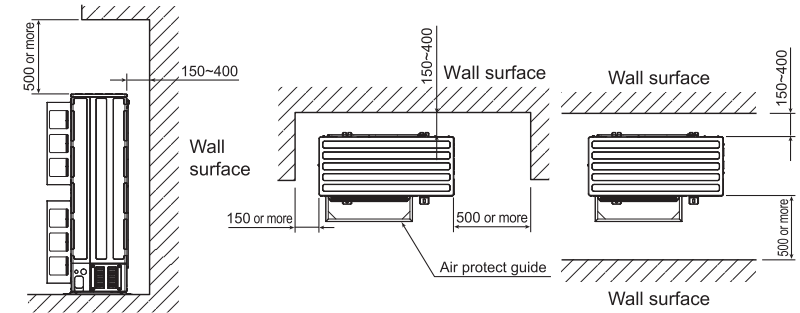
Make sure that all the following parts, in addition to this manual, are in this box.

① Air protect guide	1	② Mounting screw 5×12	8

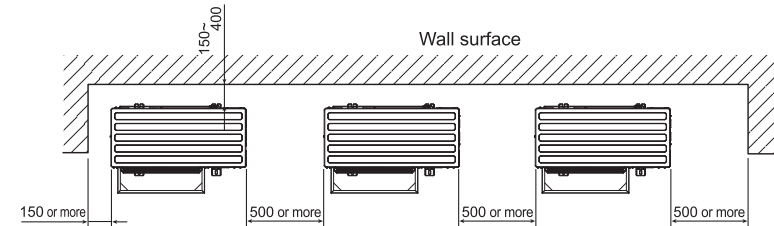
## 2 Requirements of installation space

[Unit: mm]

(1) One unit installation:



(2) Multiple unit installation: ※ Installation of multiple units in series must be no more than five units.



## 3 Installation procedure

(1) Install the air protect guide ① on the outdoor unit using screws ②.

