

# Mitsubishi Package Air-Conditioner Optional Component

## Instructions on Installing Drain Socket

### SAFETY PRECAUTIONS

- Carefully read this section 'Safety Precautions', and securely install the optional parts.
- Be sure to observe the cautions described here: They include critical contents for safety.
- The following indications show the classifications for danger, and possible consequences following incorrect handling.

<b>⚠ WARNING</b>	Incorrect handling could lead to death or serious injury.
<b>⚠ CAUTION</b>	Incorrect handling could lead to injury or damage to house and household articles.

- After installation, perform a test run and make sure that there is no abnormality, and ask your customer to keep this installation sheet with the installation manual at all times. Also ask the customer to transfer these manuals to a new user if the user changes.

### ⚠ WARNING

**Ask the dealer or specialist for installation.**

- If installed incorrectly by user, water leak, electric shock, fire, etc. could result.

**Carefully install the optional parts according to this installation sheet.**

- Incorrect installation could cause water leak, electric shock, fire, etc.

Before performing installation (moving) and electrical work

### ⚠ CAUTION

**Do not place polyethylene bags in reach of young children.**

- Putting them over the head will block breathing passages, which could result in suffocation.

**If electrical work is necessary, use only specified electric wires adapted with current capacity.**

- Use of unsuitable wire could cause electric leak, overheating or fire.

**Securely apply heat-insulation to refrigerant pipe so that no condensation occurs.**

- If heat-insulation is inadequate, condensation could occur on the surface of pipes and dewdrops could accumulate on ceiling, floor or important goods.

**Securely perform drain piping work according to the installation manual so that no condensation occurs.**

- If piping work is incorrect, water leak may occur and ceiling, furniture, etc may get wet.




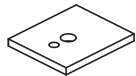

The outdoor unit is provided with several holes for drainage at the bottom to make drainage easier. The drain socket is used to close the unnecessary holes and centralize the drainage when using the drain tube at the installation place.

Do not to use the drain socket in cold areas. The drain tube can be frozen.

※Condensation could drop through the part fitting holes and knockout holes (slits) in the bottom of the outdoor unit. Use the centralized drain pan to completely prevent condensation dropping.

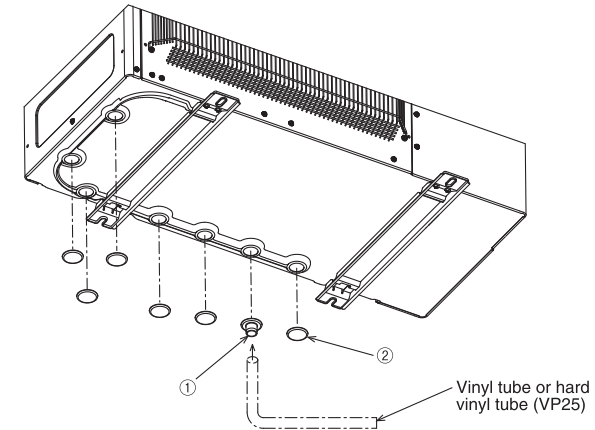
### 1. Accessory

Be aware that the following parts are put in the package together with the instruction manual.

① Drain socket ..... 1 pc	② Drain cap Large size: 6pcs
	
③ Insulation part (for liquid valve) ..... 1 pc	④ Insulation part (for gas valve) ..... 1 pc
	
Small	Large
⑤ Band ..... 7 pcs	
	

### 2. Installation method for drain unit ☆Prepare the adhesive in the field.

- (1) Glue the drain socket ① to the hole that is used to centralize the drainage among several holes at the bottom of the unit with the glue (Prepare in the field).
- (2) Glue the drain caps ② to close all the other unnecessary holes with the glue (Prepare in the field).  
(Note) Apply the glue securely, as the glue (Prepare in the field) will work as seal to prevent water from leaking.  
(Note) Use the adhesive for the rubber and metal.
- (3) Insert a vinyl tube of which inner diameter 25 mm available commercially or a hard vinyl tube VP25 to the drain socket ①.



### 3. Installation method for insulation parts

Install the insulation parts to liquid/gas valve of the outdoor unit.

※The insulation parts should be installed after the tube has been connected to the unit.

- (1) Attach the insulation part ③ to the liquid valve and the insulation part ④ to the gas valve.  
Fit the valve cap into the hole of the insulation part and wrap it around the entire pipe joints.
- (2) Fix the insulation part ③ securely with bands ⑤.  
Install the other insulation part ④ to the gas valve side with the same procedure.

