

SERVICE PARTS LIST FOR MITSUBISHI ELECTRIC PACKAGED AIR-CONDITIONERS

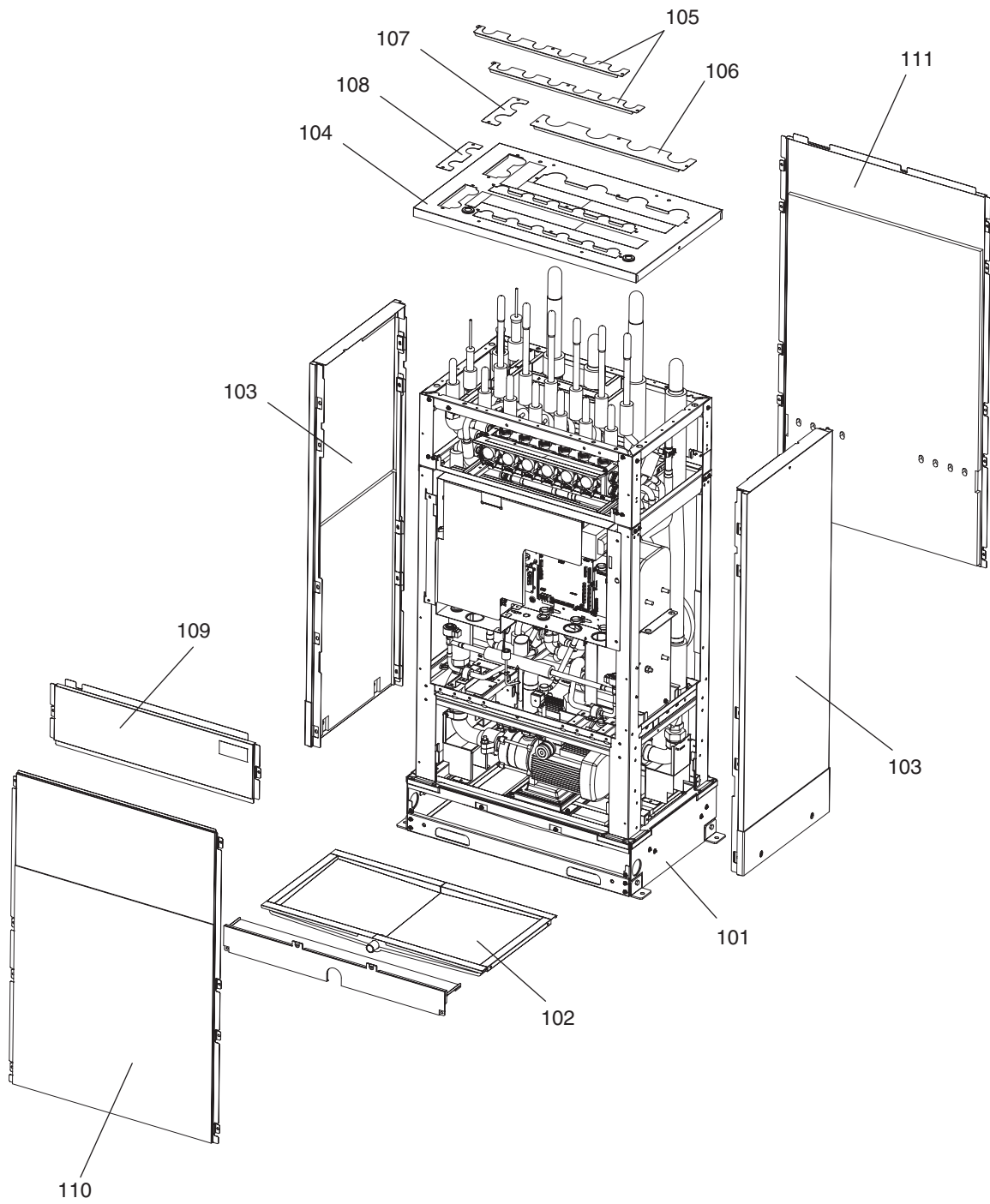
Series : CMB

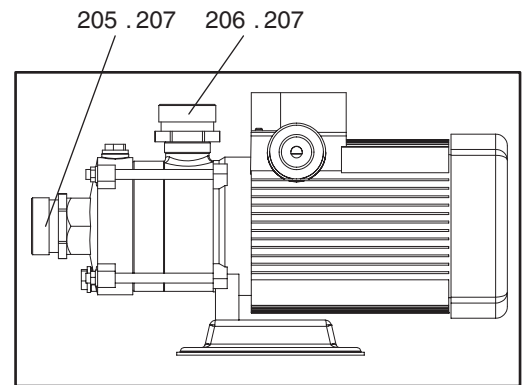
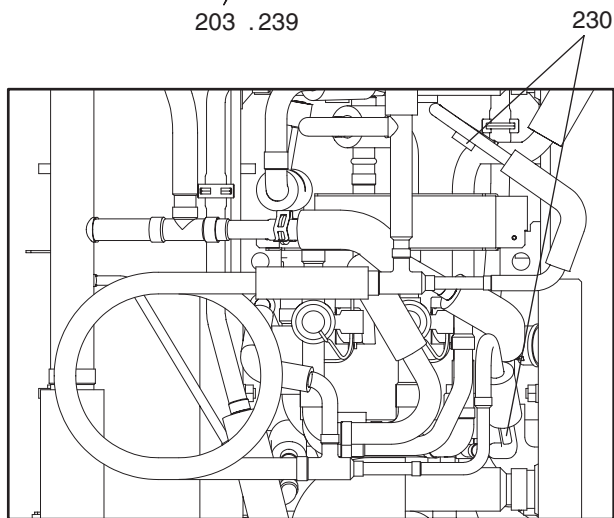
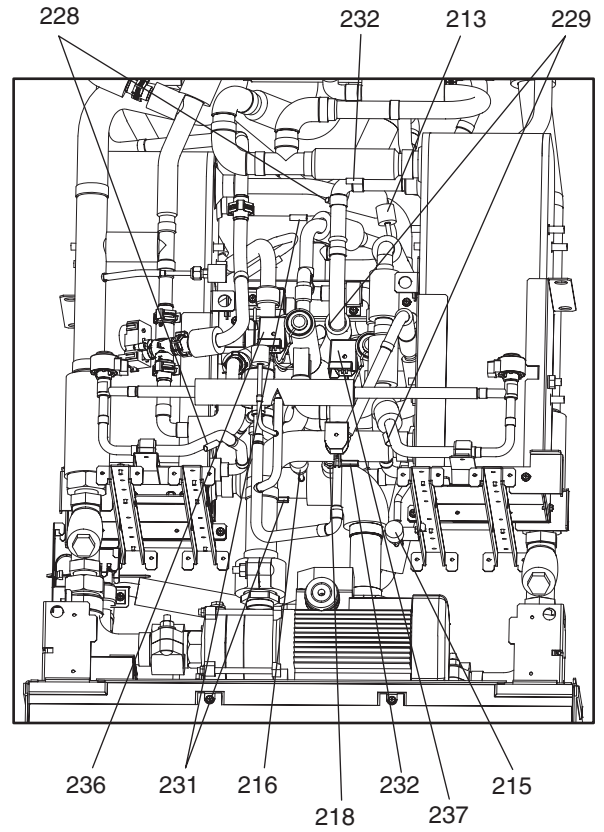
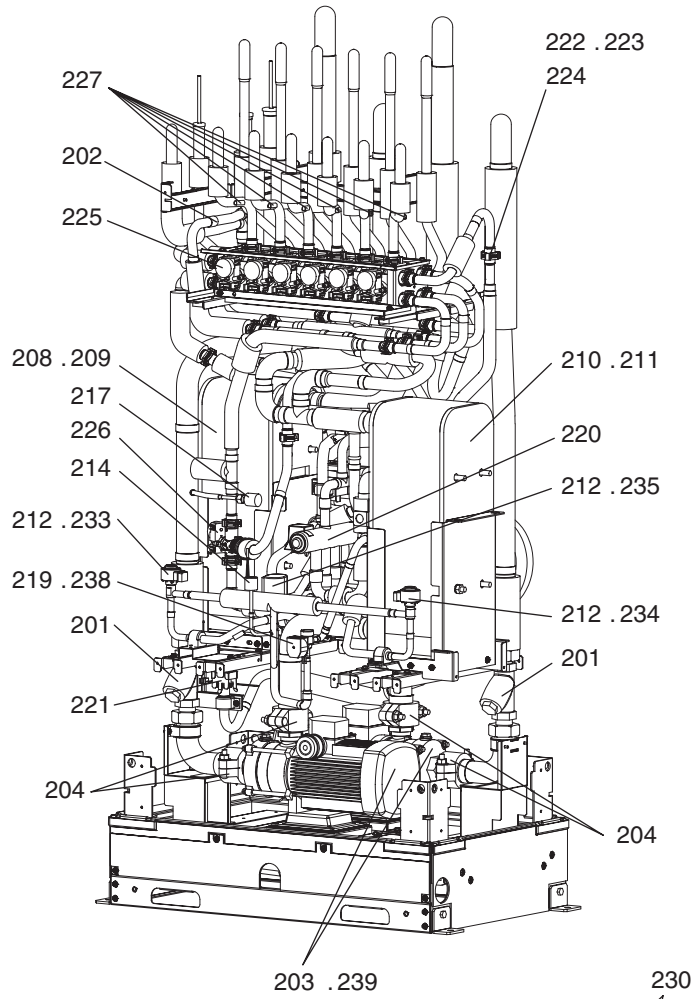
Nov. 2021
BWE021510

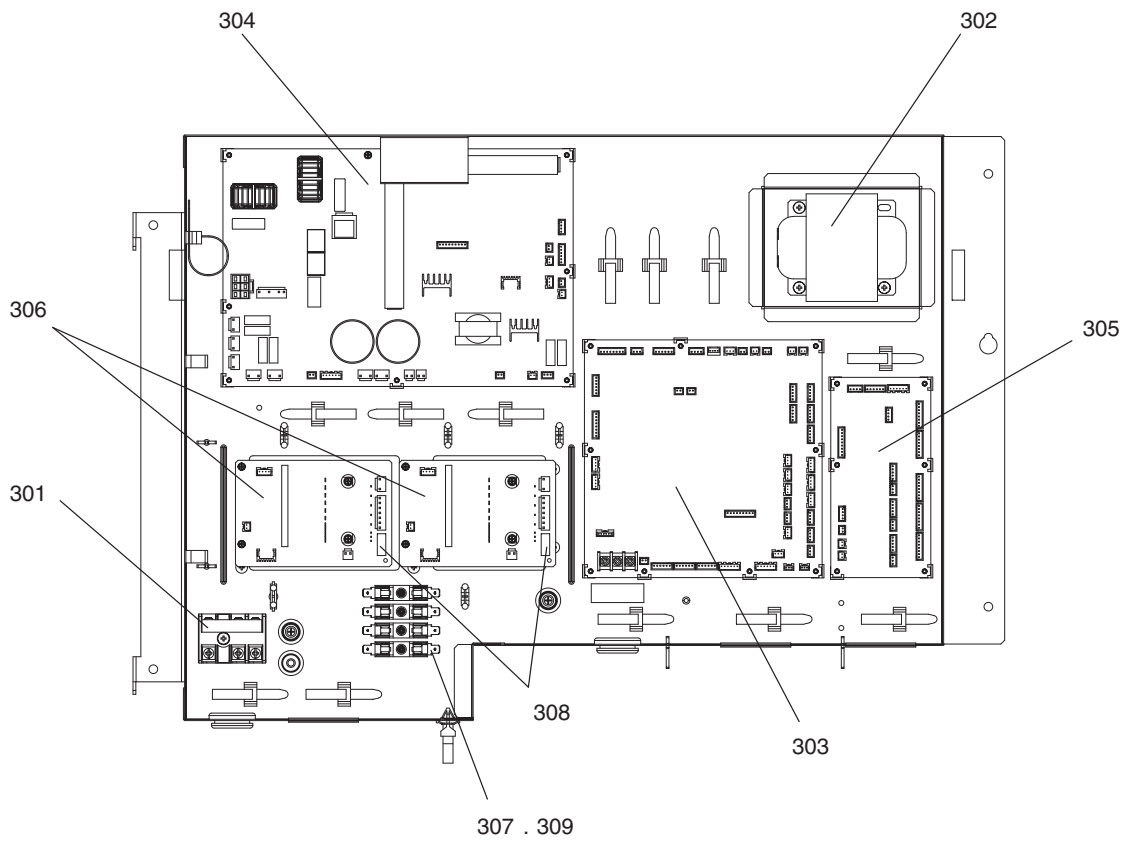
| INDEX |
|--------------------------------|
| CMB-WM350F-AA CMB-WM500F-AA |

CMB-WM350F-AA
CMB-WM500F-AA

EXTERNAL PARTS







mitsubishi
electric
corporation

BWE021510 (20211130)