

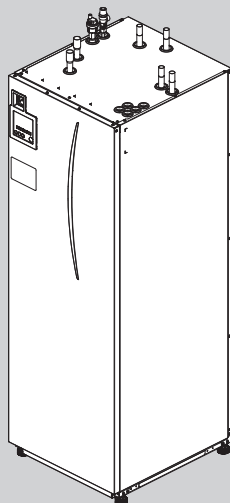
# PARTS CATALOG R32

[Model Name]

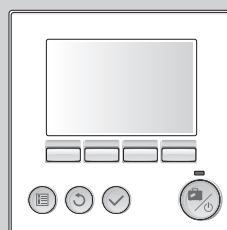
**EHWT17D-MHEDW**

[Service Ref.]

**EHWT17D-MHEDW.UK**



**HEAT PUMP UNIT**



**MAIN REMOTE  
CONTROLLER**

---

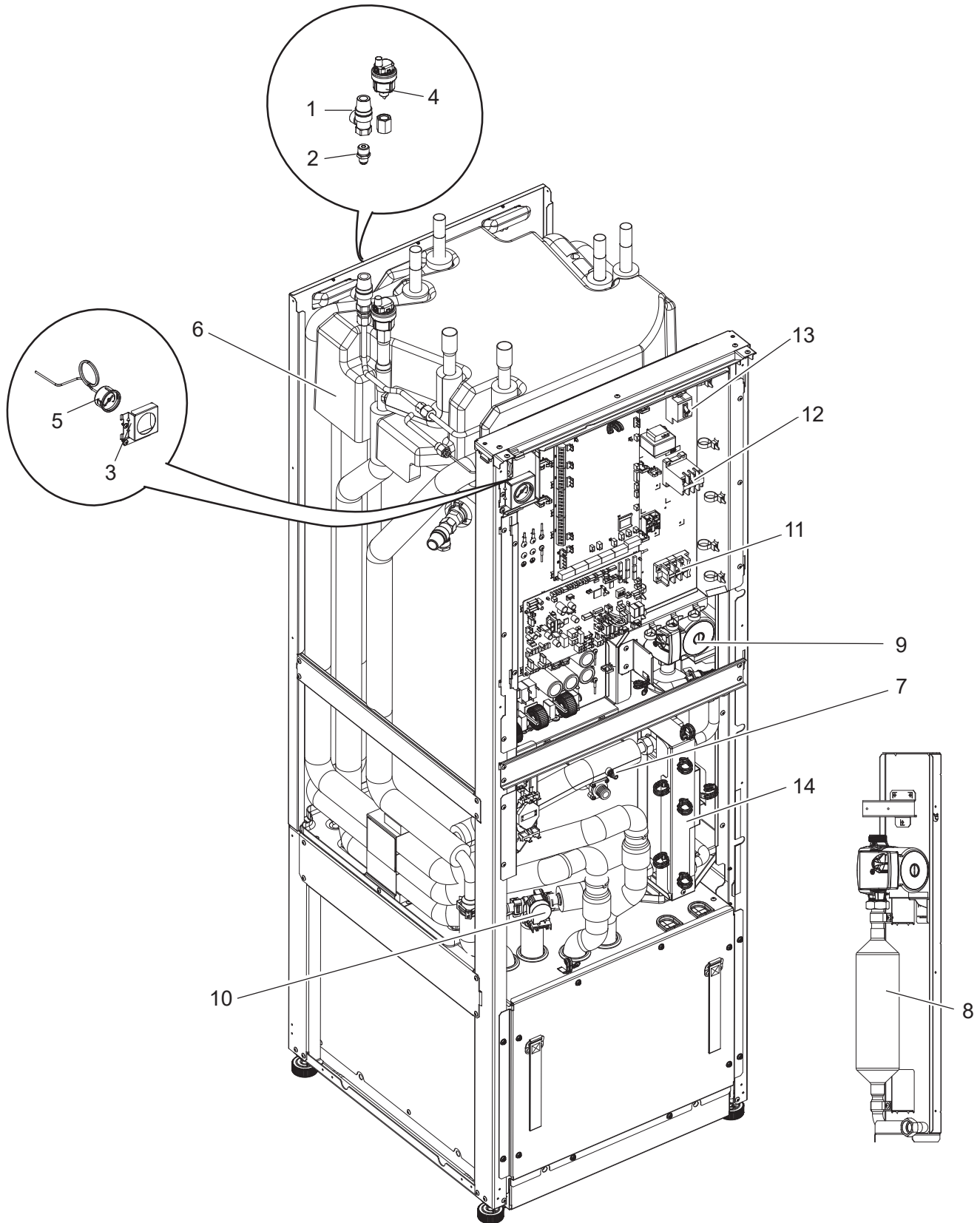
## CONTENTS

---

- 1. SERVICE PARTS LIST ..... 2
- 2. OPTIONAL PARTS ..... 11

**SERVICE MANUAL (OCH762)**

EHWT17D-MHEDW.UK



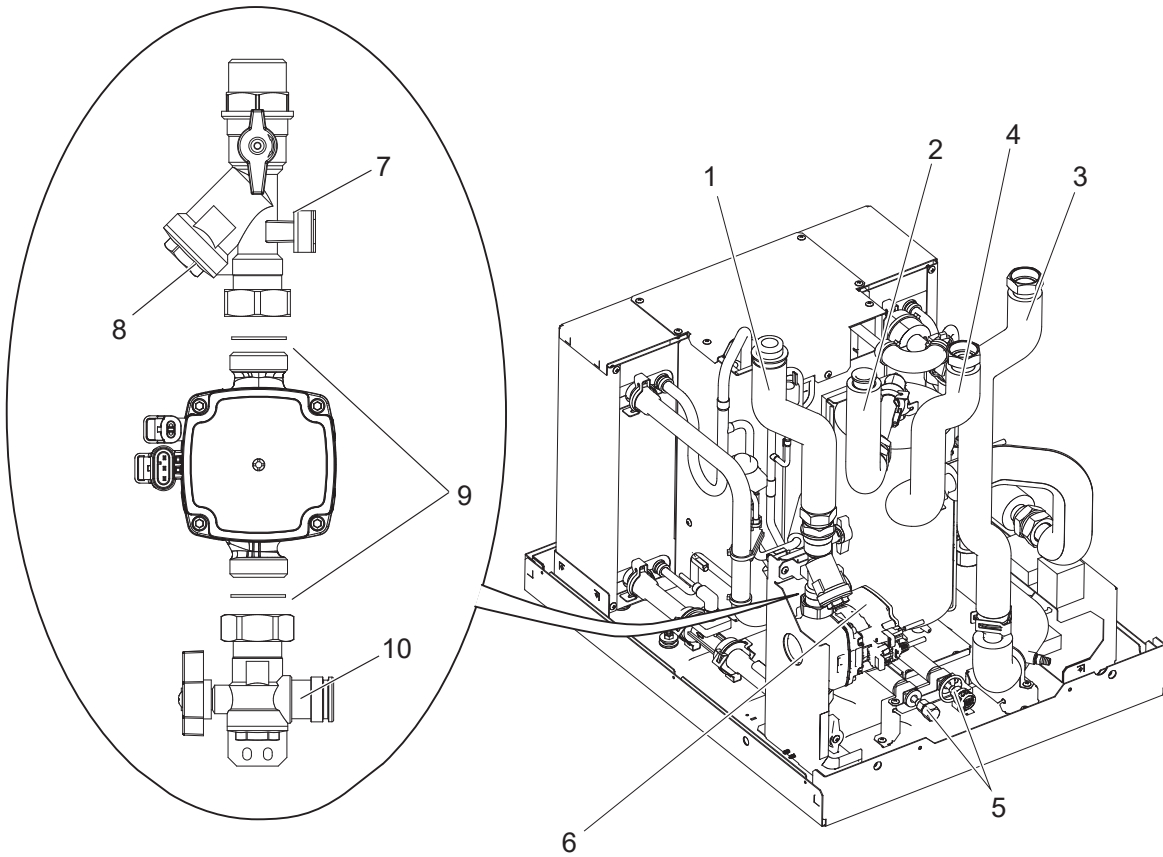
1. The part quantity below indicates the required number of pieces per unit.
2. The circled No. indicates that the part is not shown in the figure.

No.	Parts No.	Parts name	EHWT17D-MHEDW.UK	Wiring diagram symbol	Remarks [Drawing No.]
1	S70 C21 404	PRESSURE RELIEF VALVE	1		3 bar/ 6 years*
2	S70 C60 096	FLARE JOINT	1		3/8F-R1/2
3	S70 C70 206	MANOMETER STAY	1		
4	S70 C18 150	AIR VENT (AUTOMATIC)	1		
5	S70 C20 205	MANOMETER	1		6 years*
6	—	TANK CUSHION TOP	1		[BX80A291G03]
7	S70 C10 358	DRAIN COCK/AIR VENT (WATER CAP ASSY 320)	4		FOR PRIMARY/SANITARY CIRCUIT
8	S70 C70 357	SCALE TRAP	1		
9	S70 C05 355	WATER PUMP	1	MP4	FOR SANITARY CIRCUIT
10	S70 C34 406	3WAY VALVE	1	3WV	
11	S70 E12 716	TERMINAL BLOCK	1	TB1	3P(L,N,E)
12	S70 C39 708	CONTACTOR	1	IHC	30 A
13	S70 C20 239	EARTH LEAKAGE BREAKER	1	ECB1	3 ø 30 A
14	S70 G40 408	PLATE HEAT EXCHANGER ASSY	1		CBH18-18H
(15)	S70 C23 460	O-RING	11		BLACK
(16)	S70 C26 460	O-RING	7		BLACK/ FOR FLOW SENSOR
(17)	S70 C10 465	FASTENER	15		FOR QUICK CONNECTION
(18)	S70 C20 465	FASTENER	5		FOR FLOW SENSOR
(19)	S70 C40 465	FASTENER	4		3WAY VALVE
(20)	S70 C01 800	GREASE	1**		100 g/ FOR QUICK CONNECTION
(21)	S70 C88 460	GASKET 1/4"	1		FOR ONLY MANOMETER
(22)	S70 G30 202	THERMISTOR-W (AMBIENT)	1	TH7	1150/1150

Do not reuse the O-ring, gasket or strainer packing that was once removed, but be sure to replace with a new one.

\* Required regular replacement.

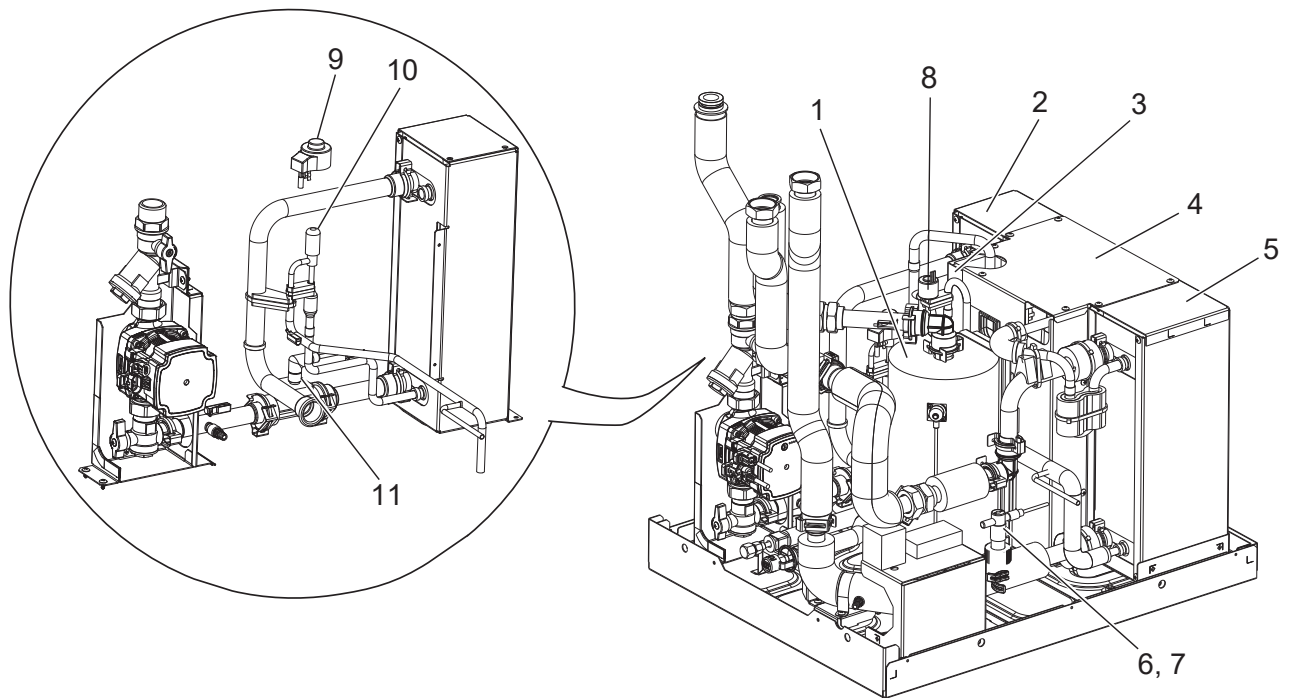
\*\* Apply grease appropriately on the O-ring for the quick connection in the unit.



1. The part quantity below indicates the required number of pieces per unit.
2. The circled No. indicates that the part is not shown in the figure.

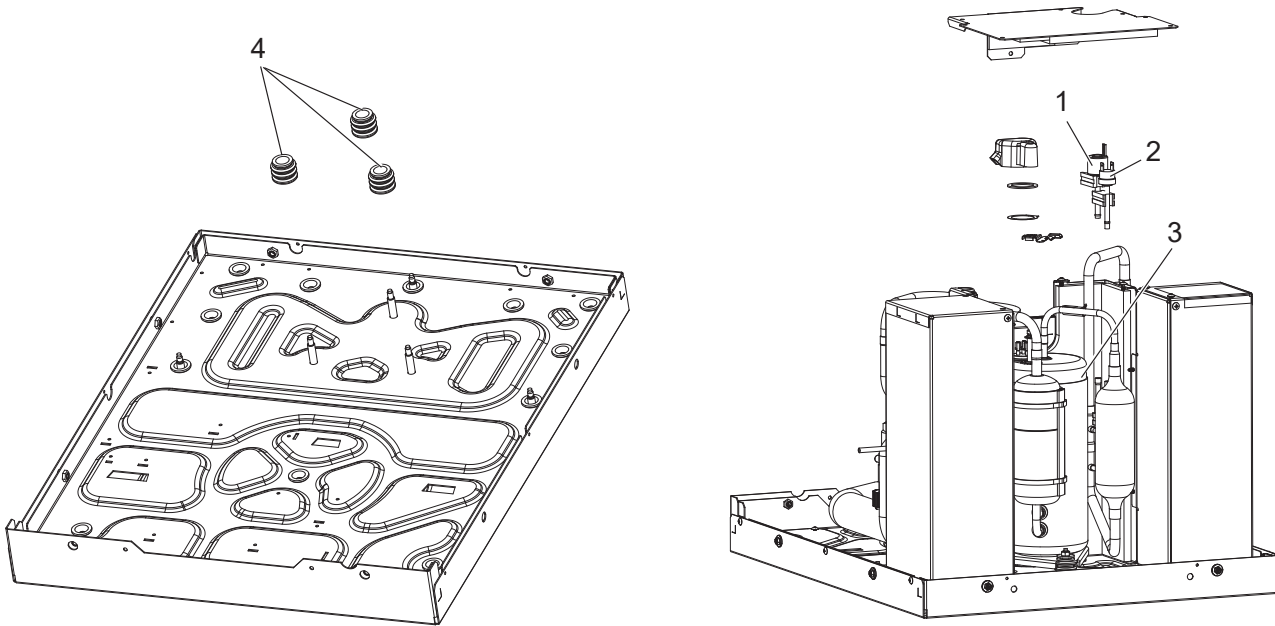
No.	Parts No.	Parts name	EHWT17D-MHEDW.UK	Wiring diagram symbol	Remarks
1	S70 G60 601	FLEXIBLE HOSE	1		L300mm
2	S70 G40 601	FLEXIBLE HOSE	1		L210mm
3	S70 G70 601	FLEXIBLE HOSE	1		L542mm
4	S70 G50 601	FLEXIBLE HOSE	1		L370mm
5	S70 E05 413	CHARGE PLUG	2		
6	S70 C11 355	WATER PUMP	1	MP1	FOR PRIMARY CIRCUIT
7	S70 G10 452	STRAINER VALVE	1		
8	S70 C28 460	STRAINER PACKING	1		FOR STRAINER
9	S70 C55 460	GASKET 1"	4		FOR CONNECTION OF WATER CIRCUIT
10	S70 C30 356	PUMP VALVE	1		
(11)	S70 G10 356	WATER PUMP CABLE (POWER)	1		
(12)	S70 G20 356	WATER PUMP CABLE (SIGNAL)	1		

Do not reuse the gasket or strainer packing that was once removed, but be sure to replace with a new one.



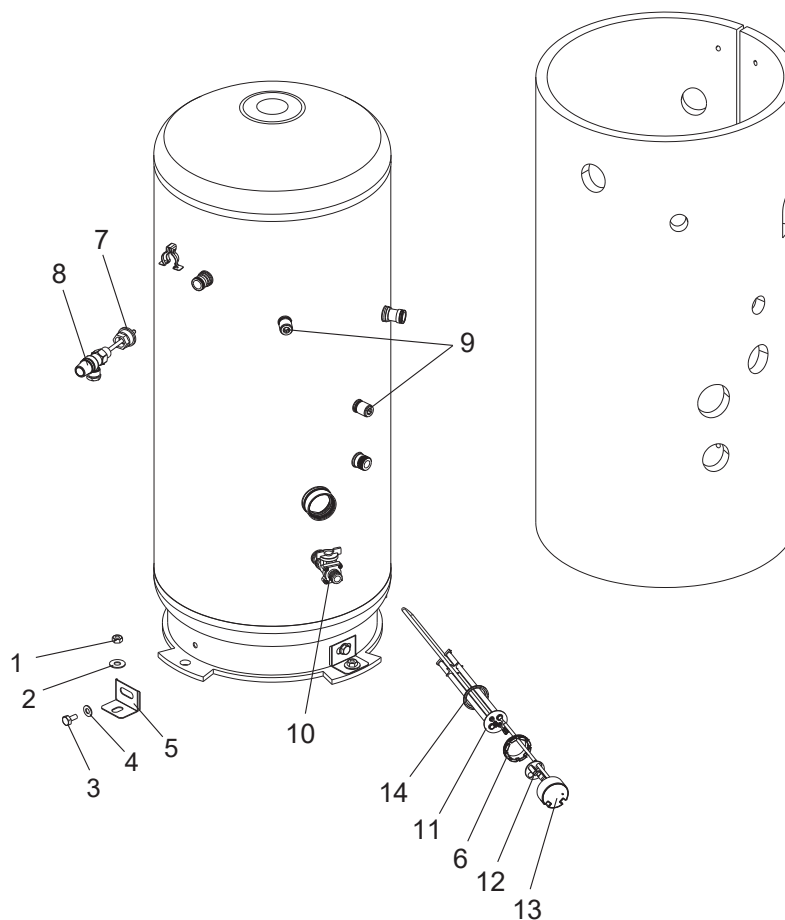
1. The part quantity below indicates the required number of pieces per unit.
2. The circled No. indicates that the part is not shown in the figure.

No.	Parts No.	Parts name	EHWT17D-MHEDWUK	Wiring diagram symbol	Remarks
1	S70 G20 441	BOOSTER HEATER	1		0 kW
2	S70 G10 408	WATER COIL ASSY (2HP)	1		MWA1- 44PA REFRIGERANT-WATER
3	S70 G10 006	COMP CASE FRONT	1		
4	S70 G10 008	COMP CASE TOP	1		
5	S70 G20 408	WATER COIL ASSY (W)	1		MWA1-70PA/WATER-WATER
6	S70 G40 266	FLOW SWITCH	1	63L	VK320M
7	S70 G10 460	FLOW SWITCH O-RING	1		BLACK
8	S70 G20 208	LOW PRESSURE SENSOR	1	CN401	1780
9	S70 G20 402	LEV COIL	1	LEV-A	
10	S70 G10 401	EXPANSION VALVE	1		B40YGME-3
11	S70 G10 266	FLOW SENSOR (BODY & CABLE)	1	CN1A	
⑫	S70 G10 202	THERMISTOR (FLOW WATER TEMP & RETURN WATER TEMP)	1	THW1/2	
⑫	S70 G10 202	THERMISTOR (LIQUID REFRIGERANT TEMP)	1	TH2	
⑫	S70 G10 202	THERMISTOR-H (LIQUID)	1	TH3	
⑫	S70 G10 202	THERMISTOR (DISCHARGE)	1	TH4	
⑫	S70 G10 202	THERMISTOR (BRINE INLET TEMP)	1	TH32	
⑫	S70 G10 202	THERMISTOR (COMP. SURFACE)	1	TH33	
⑫	S70 G10 202	THERMISTOR (BRINE OUTLET TEMP)	1	TH34	



1. The part quantity below indicates the required number of pieces per unit.
2. The circled No. indicates that the part is not shown in the figure.

No.	Parts No.	Parts name	EHWT17D-MHEDW.UK	Wiring diagram symbol	Remarks
1	S70 G10 208	HIGH PRESSURE SENSOR	1	63HS	
2	S70 E10 208H	HIGH PRESSURE SWITCH	1	63H	OFF 4.14 MPA
3	S70 G20 400	COMPRESSOR	1	MC	
4	S70 E03 004	RUBBER MOUNT	3		

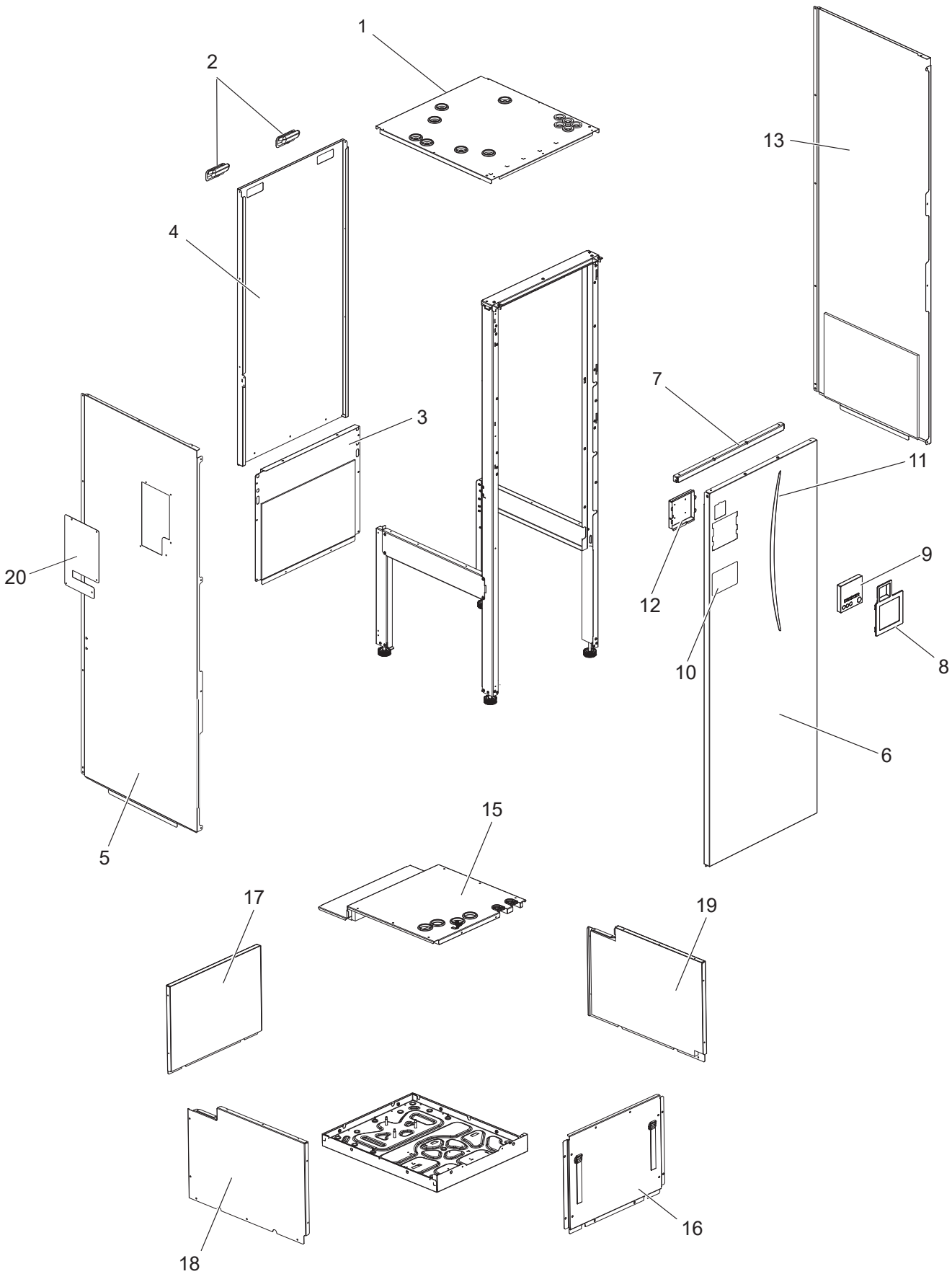


1. The part quantity below indicates the required number of pieces per unit.
2. The circled No. indicates that the part is not shown in the figure.

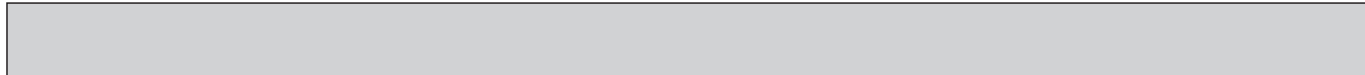
No.	Parts No.	Parts name	EHWT17D-MHEDW.UK	Wiring diagram symbol	Remarks
1	S70 C10 097	NUT	3		M10
2	S70 C61 097	WASHER	3		
3	S70 C30 097	BOLT	3		M10×20
4	S70 C20 097	WASHER	3		
5	S70 C30 042	TANK LEG	3		
6	S70 C60 097	BACK NUT	1		
7	S70 C20 405	T&P JOINT	1		
8	S70 C19 404	T&P VALVE	1		
9	S70 C11 525	STAT POCKET ASSEMBLY	2		
10	S70 C40 357	DRAIN COCK	1		FOR TANK
11	S70 C50 445	IMMERSION HEATER	1	IH	1 ø 3 kW 2years
12	S70 C33 461	ELEMENT PLATE TERMINAL COVER	1		
13	S70 C08 201	TR THERMOSTAT	1	IHT	
14	S70 C33 460	ELEMENT PLATE GASKET	1		
⑮	S70 C20 406	TOOL ELEMENT	1		

Do not reuse the ELEMENT PLATE GASKET (No.14) that was once removed, but be sure to replace with a new one.  
When removing and reinstalling the IMMERSION HEATER (No.11), TOOL ELEMENT (No.15) is required.

EHWT17D-MHEDW.UK

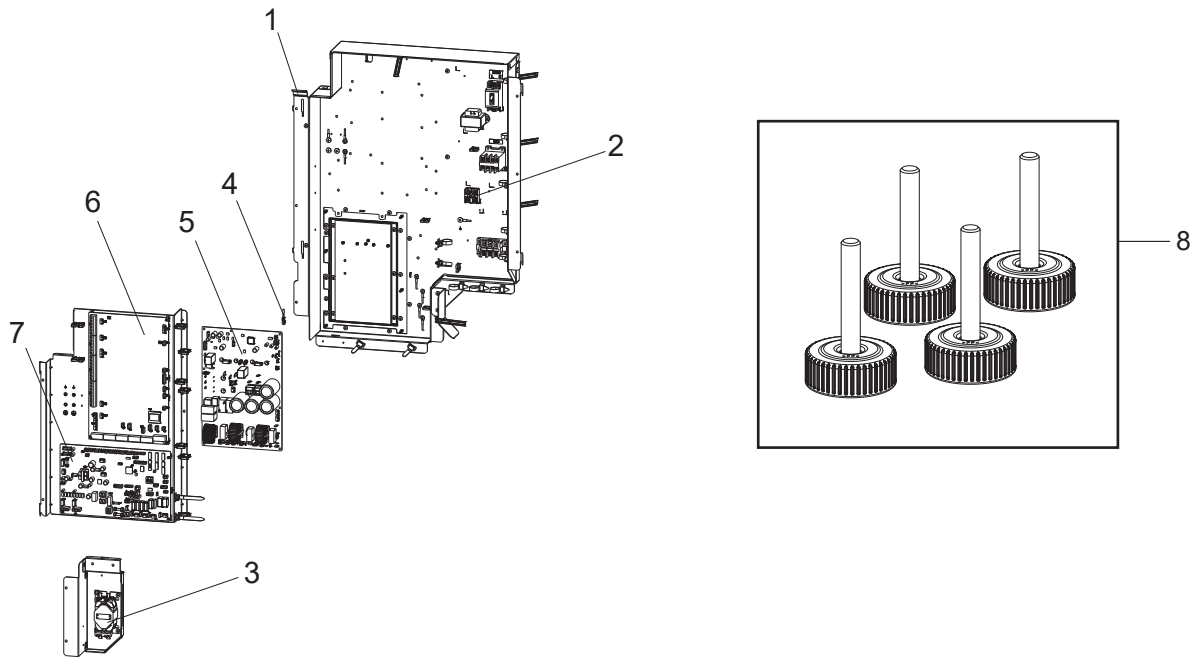






1. The part quantity below indicates the required number of pieces per unit.
2. The circled No. indicates that the part is not shown in the figure.

No.	Parts No.	Parts name	EHWT17D-MHEDW.UK	Wiring diagram symbol	Remarks [Drawing No.]
1	S70 G20 641	TOP PANEL ASSY	1		
2	S70 30L 655	HANDLE	2		
3	S70 G10 661	BACK PANEL LOWER	1		
4	S70 G20 661	BACK PANEL UPPER	1		
5	S70 G30 662	SIDE PANEL L	1		
6	S70 G10 668	FRONT PANEL	1		
7	S70 G20 668	FRONT PANEL TOP	1		
8	S70 C31 710	MAIN REMOTE CONTROLLER HOLDER	1		
9	S70 C20 200	MAIN REMOTE CONTROLLER ASSY	1		
10	S70 G15 699	BRAND LABEL	1		
11	S70 C30 699	LEAF LABEL (PANEL GRAPHIC)	1		
12	—	MAIN REMOTE CONTROLLER SUPPORT	1		[BK00R897G01]
13	S70 G20 662	SIDE PANEL R	1		
14	S70 G30 699	WIRING DIAGRAM FOR FRONT PANEL	1		
14	S70 G40 699	WIRING DIAGRAM FOR FRONT PANEL	1		
15	S70 G10 610	M-BOX TOP	1		
16	S70 G20 611	M-BOX FRONT	1		
17	S70 G30 612	M-BOX BACK	1		
18	S70 G40 613	M-BOX SIDE L	1		
19	S70 G50 614	M-BOX SIDE R	1		
20	S70 C40 706	VM PLATE	1		



1. The part quantity below indicates the required number of pieces per unit.  
 2. The circled No. indicates that the part is not shown in the figure.

No.	Parts No.	Parts name	EHWT17D-MHEDW.UK	Wiring diagram symbol	Remarks [Drawing No.]
1	—	CONTROL BOX	1		[RK02Y307G01]
2	S70 E13 716	TERMINAL BED	1	TB2	
3	S70 K85 259	REACTOR	1	DCL	
4	S70 E76 202	THERMISTOR(HEAT SINK)	1	TH8	
5	S70 G30 313	POWER CIRCUIT BOARD	1	P.B.	
6	S70 C35 315	ATW CONTROLLER	1	FTC	
7	S70 C55 315	CONTROLLER CIRCUIT BOARD	1	C.B.	
8	S70 C45 097	ADJUST BOLT	4		ACCESSORY
⑨	S70 C66 460	GASKET 3/4"	2		G3/4"/ FOR CONNECTION OF WATER CIRCUIT
⑩	S70 G20 460	PACKING WASHER 1"	6		FOR CONNECTION OF BRINE CIRCUIT
⑪	—	PIPE COVER 10	1		BH33T353R/ ID9.5*OD34.9
⑫	—	PIPE COVER 10	2		BH33T353U/ ID9.5*OD22.2
⑬	—	PIPE COVER 10	2		BH33T353Q/ ID22.2*OD47.6
⑭	—	PIPE COVER 10	1		BH33T353S/ ID28.6*OD41.4

Do not reuse the gaskets (No.9 and 10) that were once removed, but be sure to replace with a new one.

**2****OPTIONAL PARTS**

<b>Parts name</b>	<b>Parts No.</b>
WIRELESS REMOTE CONTROLLER	PAR-WT50R-E
WIRELESS RECEIVER	PAR-WR51R-E
REMOTE SENSOR	PAC-SE41TS-E
THERMISTOR	PAC-TH011-E
HIGH TEMPERATURE THERMISTOR	PAC-TH012HT-E
Wi-Fi INTERFACE	MAC-567IF-E
2-ZONE KIT	PAC-TZ02-E
EXPANSION VESSEL (12L)	PAC-EVP12-E

# MITSUBISHI ELECTRIC CORPORATION

HEAD OFFICE: TOKYO BUILDING, 2-7-3, MARUNOUCHI, CHIYODA-KU, TOKYO 100-8310, JAPAN

---