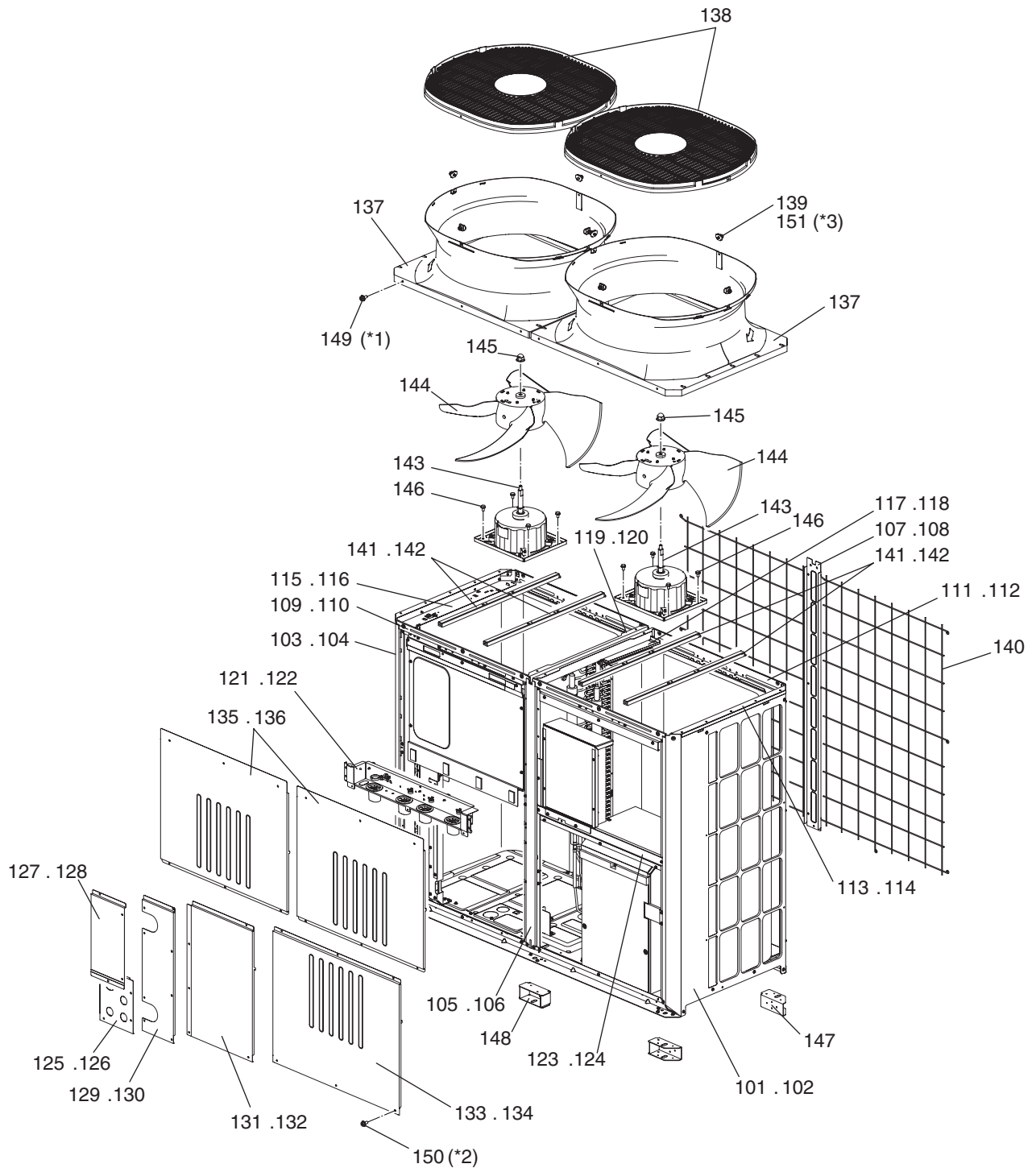


SERVICE PARTS LIST FOR MITSUBISHI ELECTRIC REFRIGERATION SYSTEMS:HOT WATER HEAT PUMP UNIT

Series : CAHV-R•YA-HPB(-BS)

Oct. 2022
BWE022200

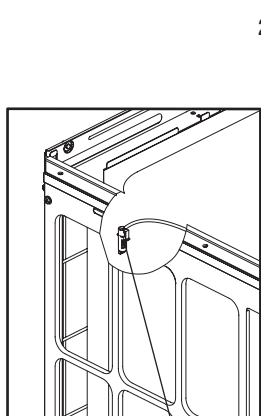
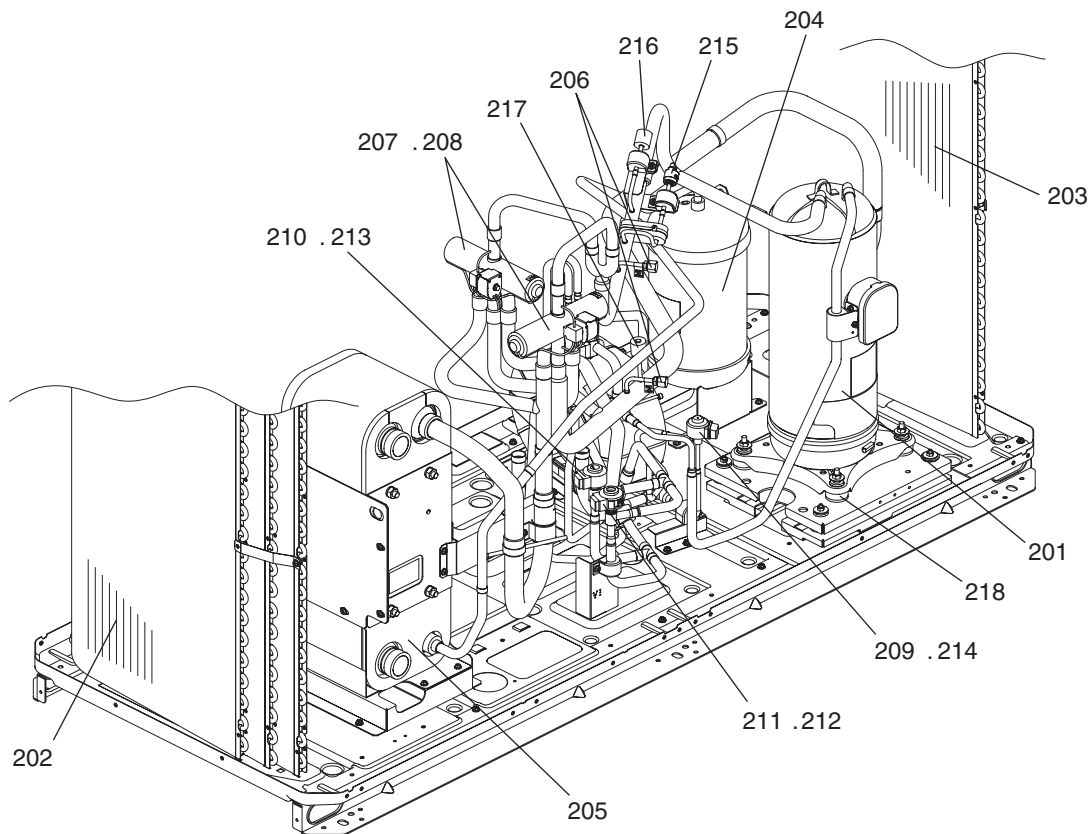
INDEX
CAHV-R450YA-HPB
CAHV-R450YA-HPB-BS



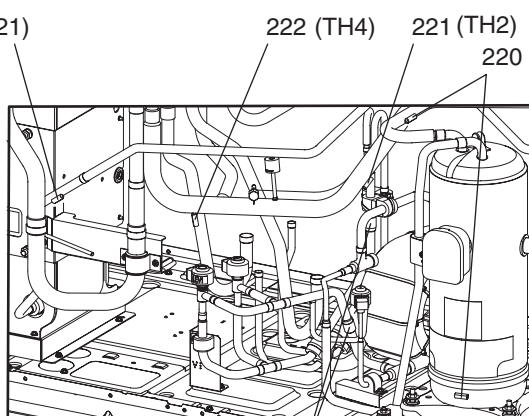
*1: Each unit requires 26 WFT screws (Part No. 149).
 *2: Each unit requires 79 H screws (Part No. 150).
 *3: Each unit requires 8 WFT screws (Part No.151).

No.	Part No.	Part Name	Spec.	CAHV-R450YA-HPB	CAHV-R450YA-HPB-BS					Dwg. No.	Notes for the models	Revision info.
101	R63 052 652	Panel R		1						KB02A370G05		
102	R63 053 652	Panel R	BS	1						KB02A370G06		
103	R63 050 652	Panel L		1						KB02A369G07		
104	R63 051 652	Panel L	BS	1						KB02A369G08		
105	R61 022 626	Pillar assy MF		1						KD00R845G09		
106	R61 023 626	Pillar assy MF	BS	1						KD00R845G10		
107	R61 030 626	Pillar assy MB		1						KD02M109G01		
108	R61 031 626	Pillar assy MB	BS	1						KD02M109G02		
109	R61 061 162	Frame assy F		1						KD00L182G03		
110	R61 094 162	Frame assy F	BS	1						KD00L182G07		
111	R61 012 160	Frame assy B		1						KJ00C487G01		
112	R61 013 160	Frame assy B	BS	1						KJ00C487G02		
113	R61 175 162	Frame assy LR		1						KV00R705G01		
114	R61 176 162	Frame assy LR	BS	1						KV00R705G02		
115	R61 098 162	Frame assy L		1						KJ00C488G03		
116	R61 099 162	Frame assy L	BS	1						KJ00C488G04		
117	R61 012 499	Plate HE X assy		1						KJ00C692G01		
118	R61 013 499	Plate HE X assy	BS	1						KJ00C692G02		
119	R12 049 215	Frame MT		1						KC00U520G01		
120	R12 050 215	Frame MT	BS	1						KC00U520G02		
121	R12 051 215	Frame assy M		1						KW00G036G01		
122	R12 052 215	Frame assy M	BS	1						KW00G036G04		
123	R61 058 162	Frame MR		1						KD02G743H04		
124	R61 059 162	Frame MR	BS	1						KD02G743G02		
125	R12 045 011	Piping cover		1						KW00D349G05		
126	R12 046 011	Piping cover	BS	1						KW00D349G06		
127	R12 127 661	Panel FBL3		1						KW00D350G03		
128	R12 128 661	Panel FBL3	BS	1						KW00D350G04		
129	R12 129 661	Panel FBL2		1						KW00D348G05		
130	R12 130 661	Panel FBL2	BS	1						KW00D348G06		
131	R12 131 661	Panel FBL1		1						KW00D347G03		
132	R12 132 661	Panel FBL1	BS	1						KW00D347G04		
133	R61 212 651	Panel FBR		1						KB02J838H04		
134	R61 213 651	Panel FBR	BS	1						KB02J838G06		
135	R61 177 651	Panel FU		2						KB02J839H01		
136	R61 178 651	Panel FU	BS	2						KB02J839G02		
137	R61 005 119	Bell mouth		2	2					KB25A367H04		
138	R11 003 009	Fan guard		2	2					KB25V019H04		
139	R61 009 669	Plate Fan guard		8	8					KD02D205H03		
140	R61 010 611	Fin guard B		2	2					KB07N272G01		
141	R61 016 140	Base fan		4						KD02D026H01		
142	R61 017 140	Base fan	BS	4						KD02D026G04		
143	R12 004 941	Motor	10P 920W 415V	2	2					KC61J778G01		
144	R61 001 300	Fan		2	2					KB25A009H05		
145	R63 4H6 122	Box nut	M12 CH	2	2					P552000X01		

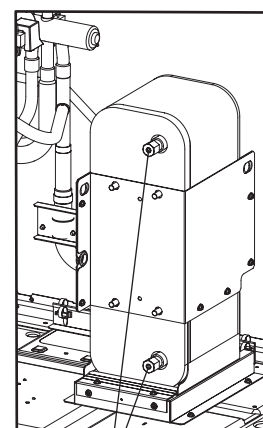
No.	Part No.	Part Name	Spec.	CAHV-R450YA-HPB	CAHV-R450YA-HPB-BS						Dwg. No.	Notes for the models	Revision info.
146	R63 014 087	Upset screw	M6 x 10	8	8						P516047X01		
147	R61 016 130	Attachment leg		4	4						KD02T773G01		
148	R61 025 130	Attachment leg	XL	2	2						KD02T774G01		
149	R63 006 087	WFT screw	M5 x 12 (30pcs)	1	1						KB00H418G01	*1	
150	R61 048 087	H screw	M5 x 10 KNURLED (30pcs)	3	3						KB00H418G14	*2	
151	R63 029 087	WFT screw	M5 x 16 (10pcs)	1	1						KD00H026G01	*3	



223 . 226
(TH9)

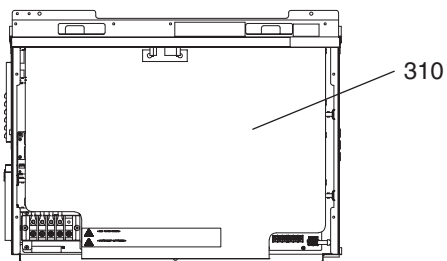
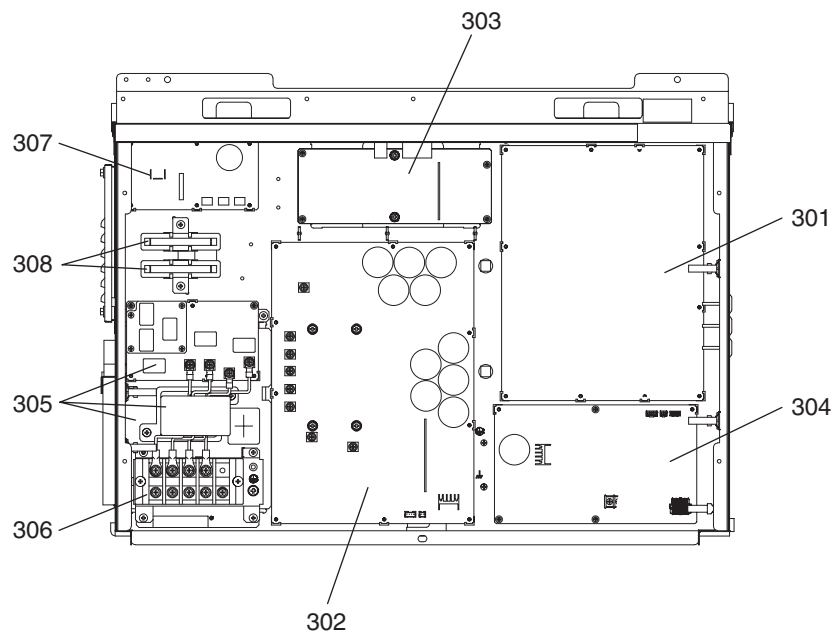
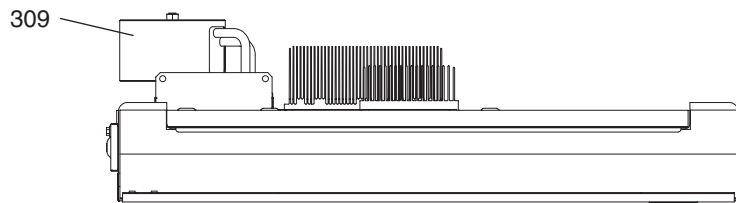


219

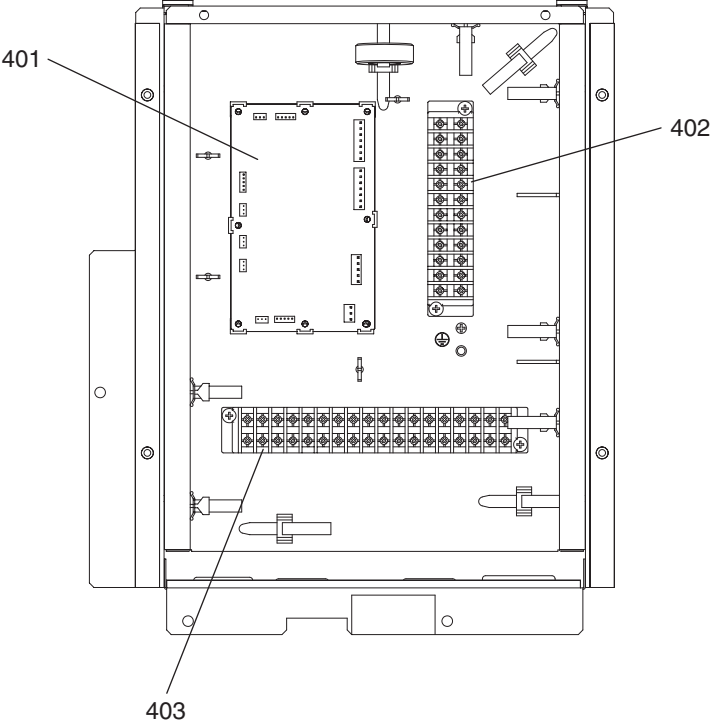


224 (TH10 .TH11)

No.	Part No.	Part Name	Spec.	CAHV-R450YA-HPB	CAHV-R450YA-HPB-BS								Dwg. No.	Notes for the models	Revision info.
201	R69 225 478	Scroll compressor	HGK107FA-Y	1	1								EP10225B01		
202	R12 001 408	Heat exchanger L	3L BS	1	1								KW01L537G02		
203	R12 002 408	Heat exchanger R	3R BS	1	1								KW01L538G02		
204	R12 001 022	Receiver assy	BS	1	1								KC00J780G20		
205	R12 021 103	Water side HEX assy	BS	1	1								KW00L054G18		
206	R63 R34 413	Check joint L		2	2								P666004X02		
207	R61 013 403	Four way valve	STF-H0731	2	2								P633130X01		
208	R61 009 242	Four way valve coil		2	2								P472092X01		
209	R63 R34 401	Solenoid valve		1	1								P632416X01		
210	R61 107 401	Solenoid valve		1	1								KR50C486H01		
211	R63 045 401	Solenoid valve		1	1								P632540X01		
212	R12 023 921	Solenoid valve coil		1	1								KW78D383G04	<LEV1>	
213	R12 024 921	Solenoid valve coil		1	1								KW78D383G02	<LEV3>	
214	R12 025 921	Solenoid valve coil		1	1								KW78D383G06	<LEV2>	
215	R12 018 965	Pressure switch		1	1								P426335X02	<63H1>	
216	R11 112 936	Pressure sensor	HP	1	1								P418172X01	<63HS1>	
217	R61 146 288	Pressure sensor	LP	1	1								P418125X01	<63LS>	
218	R63 G95 104	Rubber mount		4	4								W836228H01	For compressor	
219	R63 Y03 454	Strainer		2	2								W893281G01		
220	R12 054 937	Thermistor		1	1								KW78D294G04	<TH1,3>	
221	R12 055 937	Thermistor		1	1								KW78D296G11	<TH2>	
222	R12 056 937	Thermistor		1	1								KW78D296G06	<TH4>	
223	R12 057 937	Thermistor		1	1								KW78D296G10	<TH9>	
224	R12 058 937	Thermistor		1	1								KW78D297G06	<TH10,11>	
225	R12 059 937	Thermistor		1	1								KW78D295G04	<TH21>	
226	R61 001 310	Sensor holder		1	1								KB25B471G02		



No.	Part No.	Part Name	Spec.	CAHV-R450YA-HPB		CAHV-R450YA-HPB-BS		Dwg. No.	Notes for the models	Revision info.
301	R12 060 937	Control board	MAIN 13	1	1			KE80L211G01		
302	R12 061 937	INV board	INV37YC	1	1			KE80G595G07		
303	R12 062 937	Fan board	INV/S18	1	1			KE80L097G03		
304	R61 012 281	M-NET board	PS-MNET-Y	1	1			KE80C055G03		
305	R12 002 017	Noise filter	board,coil,plate	1	1			KE80C892G07		
306	R61 007 246	Terminal block		1	1			S436005H12	<TB1>	
307	R12 063 937	Rec board		1	1			KE80L212G01		
308	R61 001 234	Resistor		2	2			P411151X01	<R1, 2>	
309	R12 002 966	Reactor		1	1			KR65C403H06	<DCL>	
310	R12 023 310	Sheet		1	1			KE73C993G02		



mitsubishi
electric
corporation

BWE022200 (20221031)