

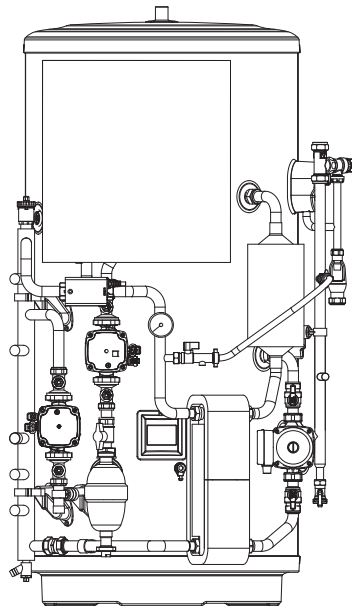
PRE-PLUMBED UNVENTED MAINS PRESSURE  
WATER HEATER WITH FTC6 CONTROL SYSTEM.  
FOR USE WITH ECODAN PUZ-(H)WM  
AIR SOURCE HEAT PUMP RANGE.

January 2022

Doc. No. 607484

## PARTS CATALOGUE

EHPT15X-UKHLDW1S  
EHPT17X-UKHLDW1S  
EHPT15X-UKHDW1S  
EHPT17X-UKHDW1S  
EHPT21X-UKHDW1S  
EHPT21X-UKHDW1L  
EHPT25X-UKHDW1L  
EHPT30X-UKHDW1L



PLEASE LEAVE THIS MANUAL WITH THE CUSTOMER FOR FUTURE REFERENCE.

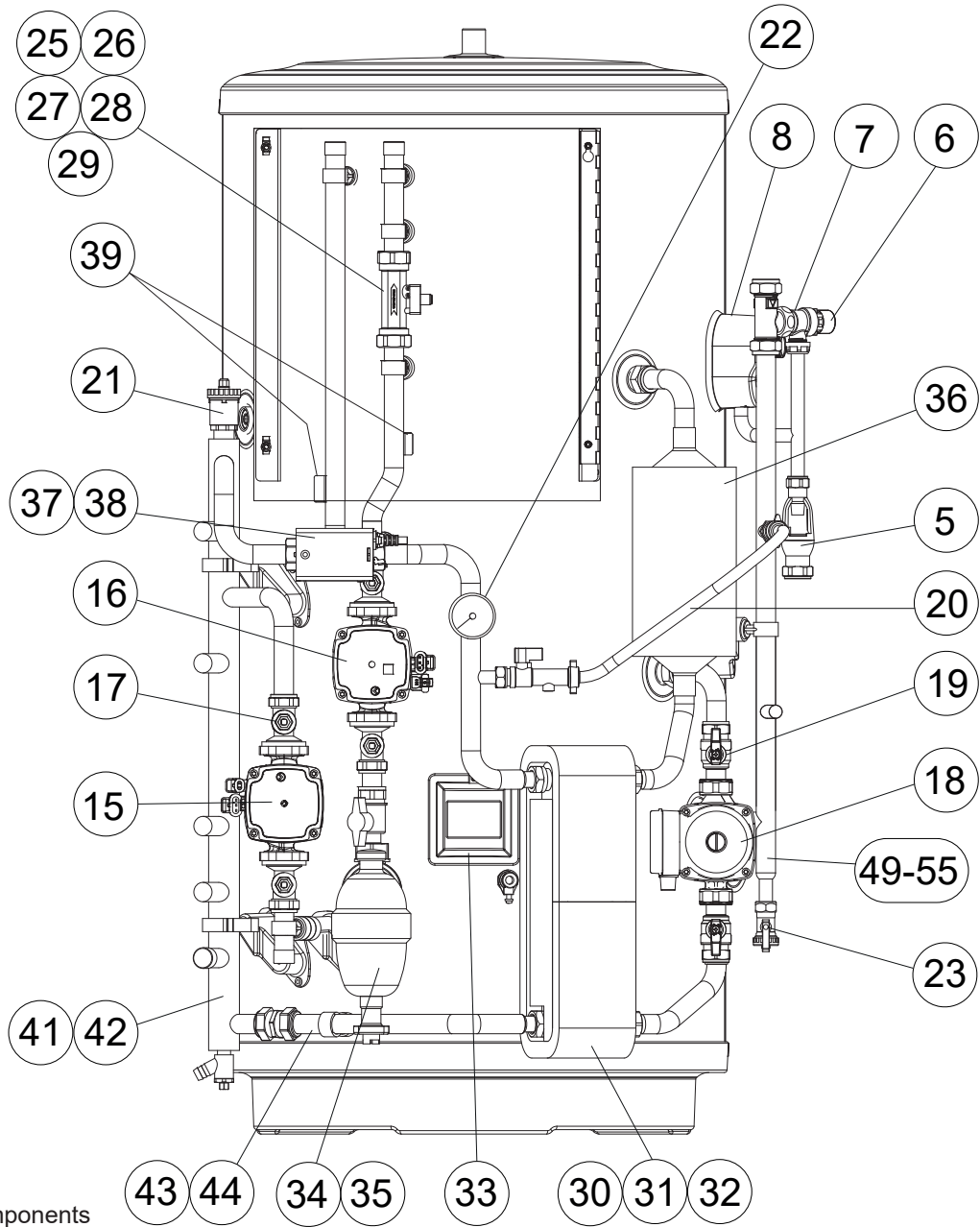


Fig. 1 - Main components

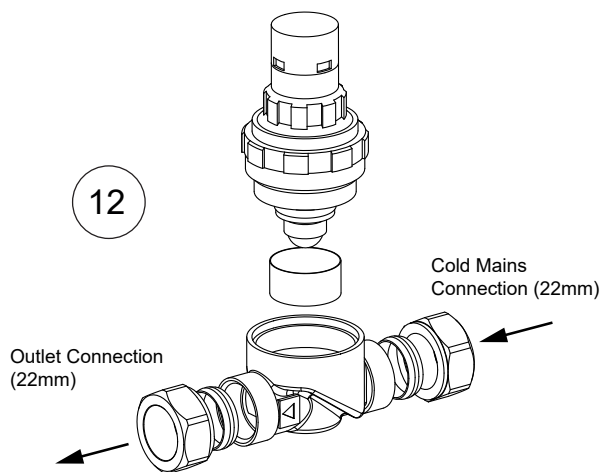


Fig. 2 - Pressure Reducing valve 3.5 bar

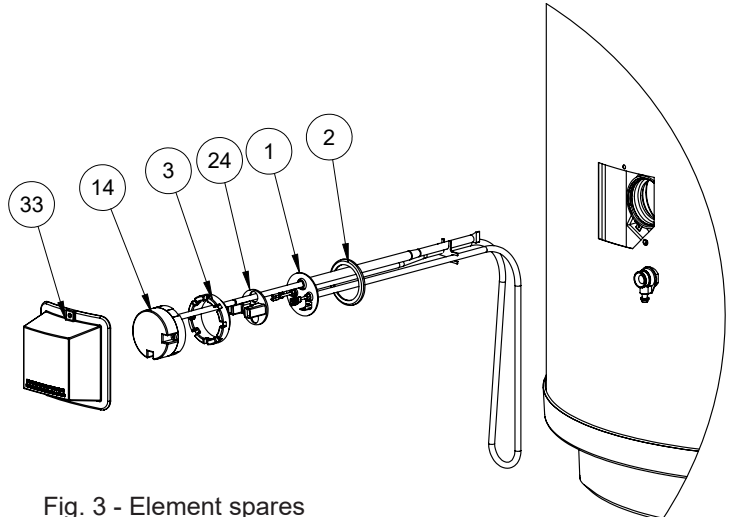


Fig. 3 - Element spares

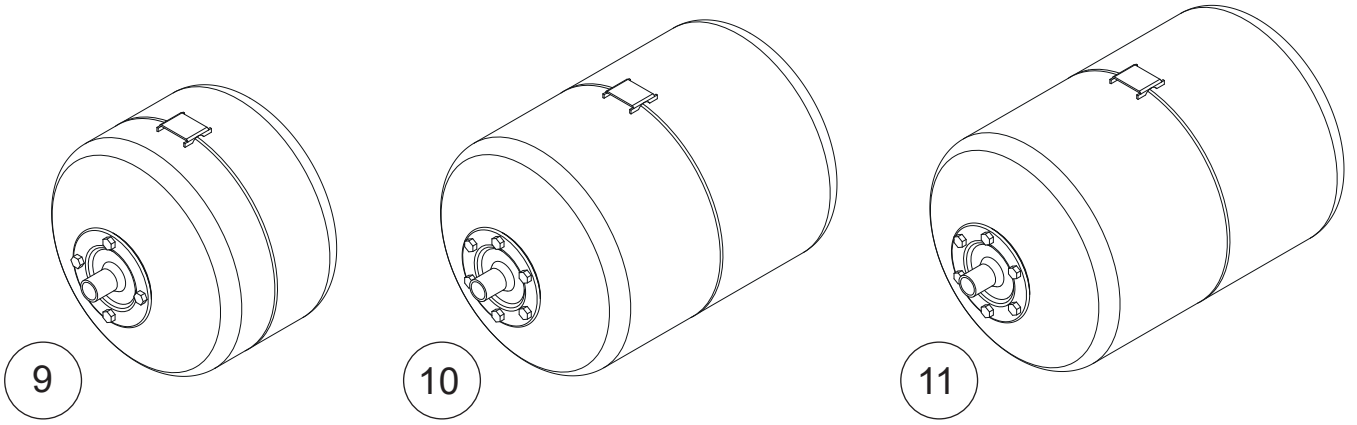


Fig. 4 - DHW Expansion vessel

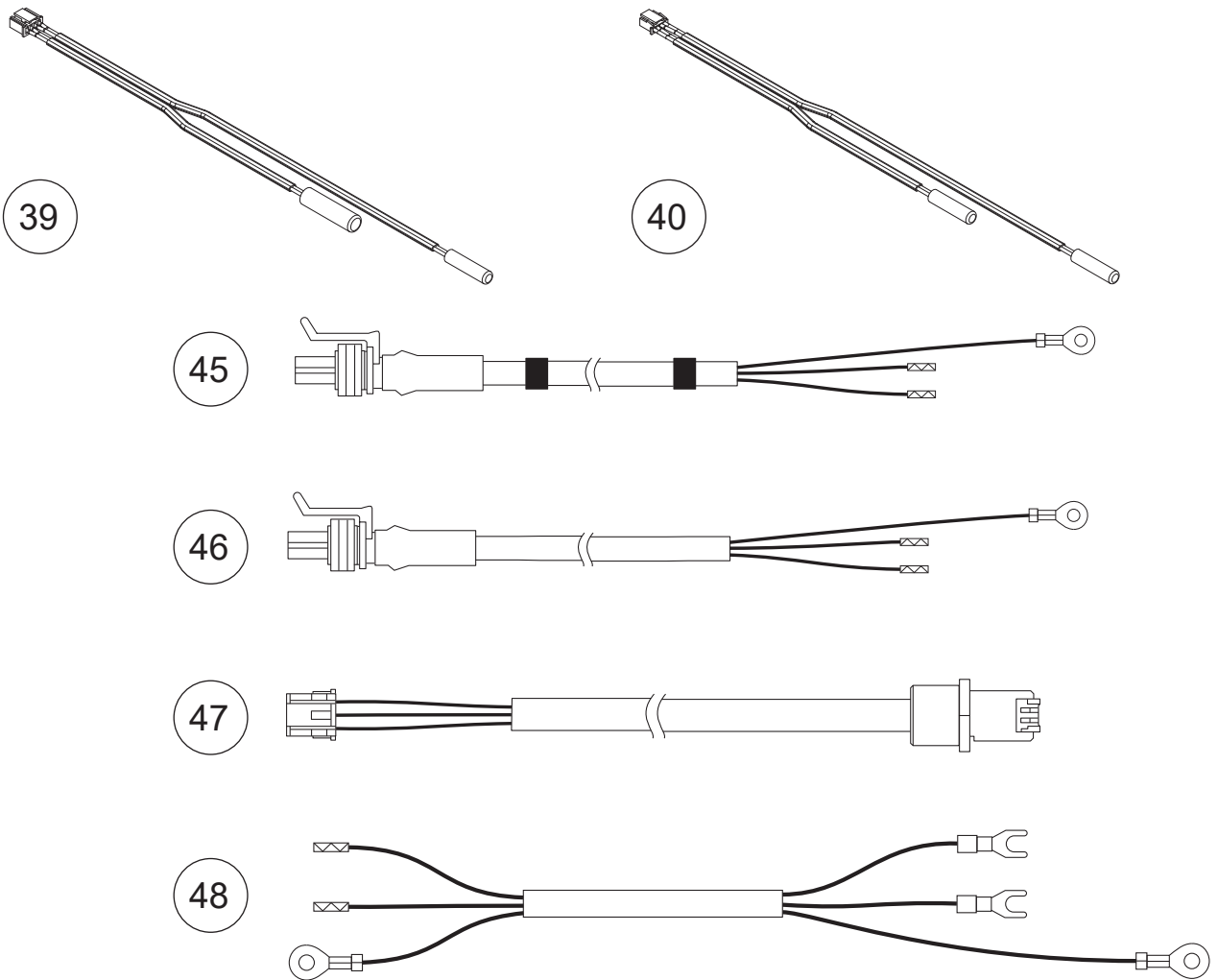


Fig. 5 - Wiring

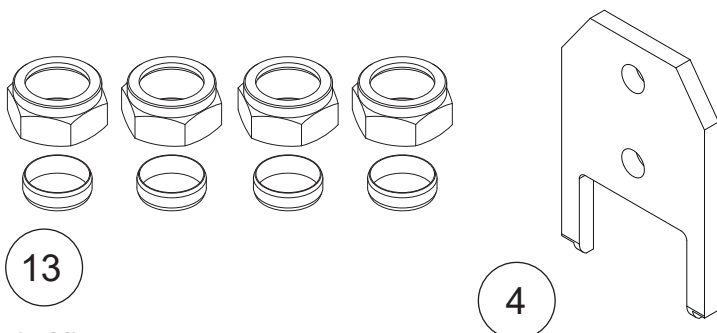


Fig. 6 - Misc.

Table 1 - Spare Parts

ITEM NO.	PART NO.	PART DESCRIPTION	EHPT15X-UKHLDW 1S	EHPT15X-UKHLDW 1S	EHPT17X-UKHLDW 1S	EHPT17X-UKHLDW 1S	EHPT21X-UKHLDW 1S	EHPT21X-UKHLDW 1L	EHPT25X-UKHLDW 1L	EHPT30X-UKHLDW 1L
1	607294	Immersion Heater (inc. Terminal Shroud & Gasket)	•	•	•	•	•	•	•	•
2	607295	Immersion Heater Gasket	•	•	•	•	•	•	•	•
3	607296	Immersion Heater Backnut	•	•	•	•	•	•	•	•
4	607297	Immersion Heater Key Spanner	•	•	•	•	•	•	•	•
5	607298	Tundish	•	•	•	•	•	•	•	•
6	607299	Expansion Valve Cartridge 8 bar	•	•	•	•	•	•	•	•
7	607300	Expansion Valve 8 bar Complete	•	•	•	•	•	•	•	•
8	607301	Temperature/Pressure Relief Valve	•	•	•	•	•	•	•	•
9	607362	DHW Expansion vessel 12 litre	•	•						
10	607363	DHW Expansion vessel 18 litre	•	•						
11	607364	DHW Expansion vessel 24 litre	•	•						
12	607365	Pressure Reducing Valve 3.5 bar	•	•	•	•	•	•	•	•
13	607366	Nut and Olive Pack (4 of each) Cold Water Inlet + DHW Outlet	•	•	•	•	•	•	•	•
14	607367	Immersion Heater Over-temperature Cutout	•	•	•	•	•	•	•	•
15	607368	Zone 1 Pump	•	•	•	•	•	•	•	•
16	607369	Heat Pump Circuit Pump	•	•	•	•	•	•	•	•
17	607370	Pump Union Valve 22mm	•	•	•	•	•	•	•	•
18	607371	DHW Pump	•	•	•	•	•	•	•	•
19	607372	Isolating Valve 22mm (inc. washers)	•	•	•	•	•	•	•	•
20	607373	Filling Loop	•	•	•	•	•	•	•	•
21	607374	Automatic Air Vent	•	•	•	•	•	•	•	•
22	607375	Primary System Pressure Gauge	•	•	•	•	•	•	•	•
23	607376	Drain Valve Cold Water Inlet	•	•	•	•	•	•	•	•
24	607377	Terminal Shroud	•	•	•	•	•	•	•	•
25	607378	Flow Sensor Body 22mm	•	•	•	•	•	•	•	•
26	607379	'O' Ring - Flow Sensor Body 22mm (pack of 2)	•	•	•	•	•	•	•	•
27	607380	Flow Sensor Body 28mm	•	•	•	•	•	•	•	•
28	607381	'O' Ring - Flow Sensor Body 28mm (pack of 2)	•	•	•	•	•	•	•	•
29	607382	Flow Sensor Cable	•	•	•	•	•	•	•	•
30	607383	DHW Plate Heat Exchanger 24 pla	•	•	•	•	•	•	•	•
31	607384	DHW Plate Heat Exchanger 32 pla	•	•	•	•	•	•	•	•
32	607385	DHW Plate Heat Exchanger Insulation Set	•	•	•	•	•	•	•	•

Table 1 - Spare Parts (continued) inc. Kits of Parts

ITEM NO.	PART NO.	PART DESCRIPTION	EHPT15X-UKHDW 1S	EHPT15X-UKHLDW 1S	EHPT17X-UKHDW 1S	EHPT17X-UKHLDW 1S	EHPT21X-UKHDW 1S	EHPT21X-UKHLDW 1L	EHPT25X-UKHDW 1L	EHPT30X-UKHDW 1L
33	607386	Immersion Heater Terminal Box Cover	•	•	•	•	•	•	•	•
34	607387	Magnetic Particle Filter 22mm	•	•	•	•	•	•	•	•
35	607388	Magnetic Particle Filter 28mm	•	•	•	•	•	•	•	•
36	607389	Scale Trap Assembly	•	•	•	•	•	•	•	•
37	607390	3 Way Diverter Valve 22mm	•	•	•	•	•	•	•	•
38	607391	3 Way Diverter Valve 28mm	•	•	•	•	•	•	•	•
39	281941	Flow + Return Temperature Thermistor	•	•	•	•	•	•	•	•
40	492623	DHW Cylinder Thermal Sensor Assembly	•	•	•	•	•	•	•	•
41	607392	Low Loss Header 35mm	•	•	•	•	•	•	•	•
42	607393	Low Loss Header 42mm	•	•	•	•	•	•	•	•
43	607394	Pipe Section LLH to PHEX 22mm	•	•	•	•	•	•	•	•
44	607395	Pipe Section LLH to PHEX 28mm	•	•	•	•	•	•	•	•
45	607396	Zone 1 Pump Cable	•	•	•	•	•	•	•	•
46	607397	Heat Pump Circuit Pump Cable	•	•	•	•	•	•	•	•
47	607398	Heat Pump Circuit Pump Modulation Cable	•	•	•	•	•	•	•	•
48	607399	Immersion Heater Cable	•	•	•	•	•	•	•	•
49	607400	Pipe Section Cold Water Inlet 150L STD	•	•	•	•	•	•	•	•
50	607401	Pipe Section Cold Water Inlet 150L SLIM	•	•	•	•	•	•	•	•
51	607402	Pipe Section Cold Water Inlet 170L STD	•	•	•	•	•	•	•	•
52	607403	Pipe Section Cold Water Inlet 170L SLIM	•	•	•	•	•	•	•	•
53	607404	Pipe Section Cold Water Inlet 210L STD	•	•	•	•	•	•	•	•
54	607405	Pipe Section Cold Water Inlet 250L STD	•	•	•	•	•	•	•	•
55	607406	Pipe Section Cold Water Inlet 300L STD	•	•	•	•	•	•	•	•
*	608192	Kit Of Parts Pre-Plumb Cyl Small	•	•	•	•	•	•	•	•
*	608193	Kit Of Parts Pre-Plumb Cyl Med	•	•	•	•	•	•	•	•
*	608194	Kit Of Parts Pre-Plumb Cyl Large	•	•	•	•	•	•	•	•

\*These items not shown





## ENVIRONMENTAL INFORMATION

Products are manufactured from many recyclable materials. At the end of their useful life they should be disposed of at a Local Authority Recycling Centre in order to realise the full environmental benefits.

### WEEE Declaration

Disposal of Waste Equipment by Users in Private Household in the European Union.



This symbol on the product indicates that this product must not be disposed of with your other household waste. Instead, it is your responsibility to dispose of your waste equipment by handing it over to a designated collection point for the recycling of waste electrical equipment.

The separate collection and recycling of your waste equipment at the time of disposal will help to conserve natural resources and ensure that it is recycled in a manner that protects human health and the environment.

For more information about where you can drop off your waste equipment for recycling, please contact your local city office, your household waste disposal service or the company where this product was purchased.

## TECHNICAL SUPPORT

Residential Heating & Ventilation Telephone: 01707 278666

MELSmart Customer Services & Support: 0161 866 6089

Option 1 - Air Conditioning Technical

Option 4 - Heating Technical

Option 2 - Spares

Option 5 - Returns

Option 3 - Warranty

Option 6 - Product Training & Site Services

Email: [livingenvironmentalsystems@meuk.mee.com](mailto:livingenvironmentalsystems@meuk.mee.com)

Website: [les.mitsubishielectric.co.uk](http://les.mitsubishielectric.co.uk)

UNITED KINGDOM

Mitsubishi Electric Europe

Living Environmental Systems Division

Travellers Lane

Hatfield

Hertfordshire

AL10 8XB

General Enquiries

Telephone: 01707 282880

Fax: 01707 278881