

# SERVICE PARTS LIST FOR MITSUBISHI ELECTRIC PACKAGED AIR-CONDITIONERS

Series : PURY-EP•Y(S)NW-A2(-BS)

For use with the R410A

June 2022

BWE022070

## INDEX

PURY-EP200YNW-A2(-BS)

PURY-EP250YNW-A2(-BS)

PURY-EP300YNW-A2(-BS)

PURY-EP350YNW-A2(-BS)

PURY-EP400YNW-A2(-BS)

PURY-EP450YNW-A2(-BS)

PURY-EP500YNW-A2(-BS)

PURY-EP550YNW-A2(-BS)

## The Package name list

**PURY-EP400YSNW-A2(-BS)** [PURY-EP200YNW-A2(-BS)+PURY-EP200YNW-A2(-BS)]

**PURY-EP450YSNW-A2(-BS)** [PURY-EP200YNW-A2(-BS)+PURY-EP250YNW-A2(-BS)]

**PURY-EP500YSNW-A2(-BS)** [PURY-EP250YNW-A2(-BS)+PURY-EP250YNW-A2(-BS)]

**PURY-EP550YSNW-A2(-BS)** [PURY-EP250YNW-A2(-BS)+PURY-EP300YNW-A2(-BS)]

**PURY-EP600YSNW-A2(-BS)** [PURY-EP300YNW-A2(-BS)+PURY-EP300YNW-A2(-BS)]

**PURY-EP650YSNW-A2(-BS)** [PURY-EP300YNW-A2(-BS)+PURY-EP350YNW-A2(-BS)]

**PURY-EP700YSNW-A2(-BS)** [PURY-EP350YNW-A2(-BS)+PURY-EP350YNW-A2(-BS)]

**PURY-EP750YSNW-A2(-BS)** [PURY-EP350YNW-A2(-BS)+PURY-EP400YNW-A2(-BS)]

**PURY-EP800YSNW-A2(-BS)** [PURY-EP400YNW-A2(-BS)+PURY-EP400YNW-A2(-BS)]

**PURY-EP850YSNW-A2(-BS)** [PURY-EP400YNW-A2(-BS)+PURY-EP450YNW-A2(-BS)]

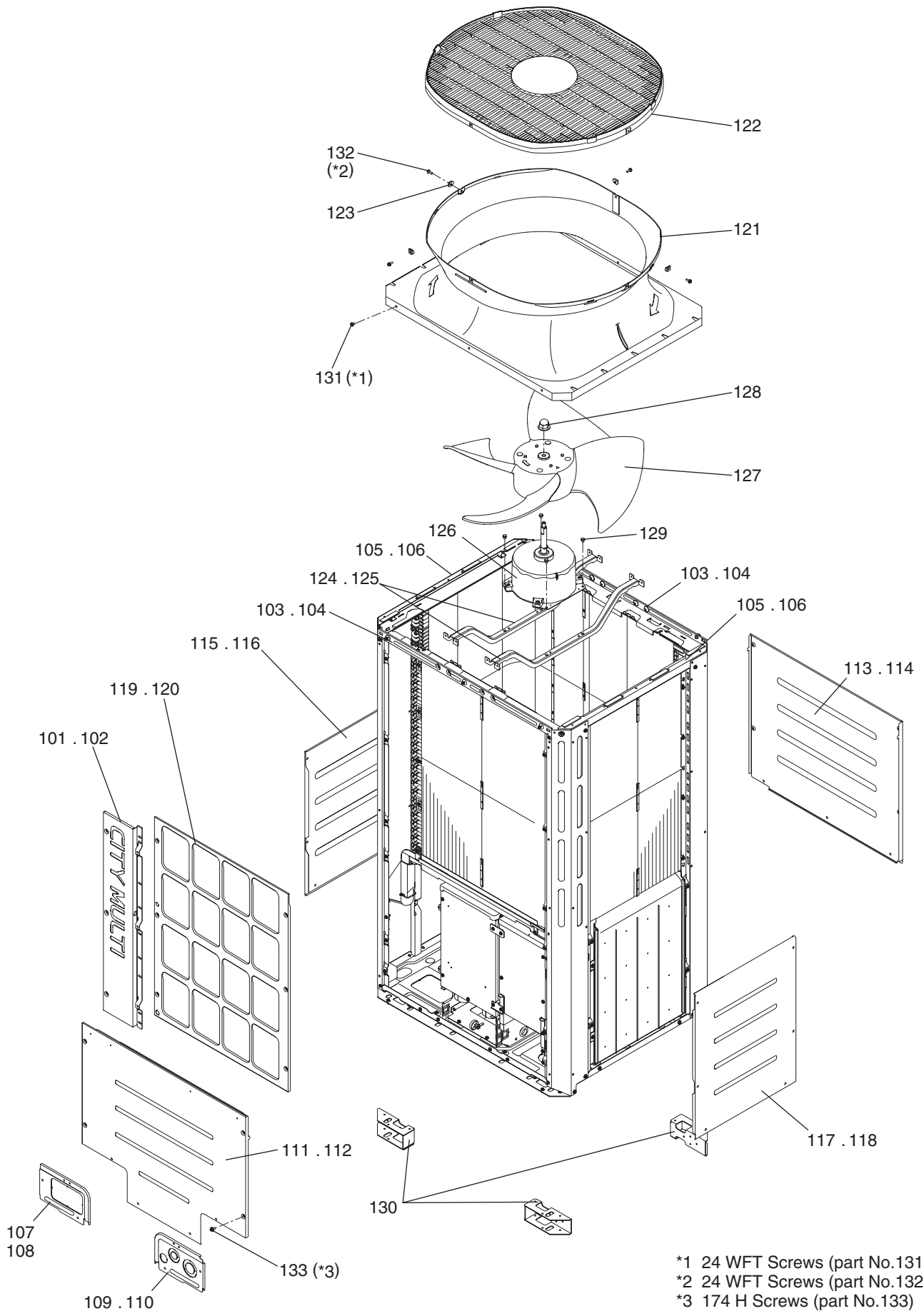
**PURY-EP900YSNW-A2(-BS)** [PURY-EP450YNW-A2(-BS)+PURY-EP450YNW-A2(-BS)]

**PURY-EP950YSNW-A2(-BS)** [PURY-EP450YNW-A2(-BS)+PURY-EP500YNW-A2(-BS)]

**PURY-EP1000YSNW-A2(-BS)** [PURY-EP500YNW-A2(-BS)+PURY-EP500YNW-A2(-BS)]

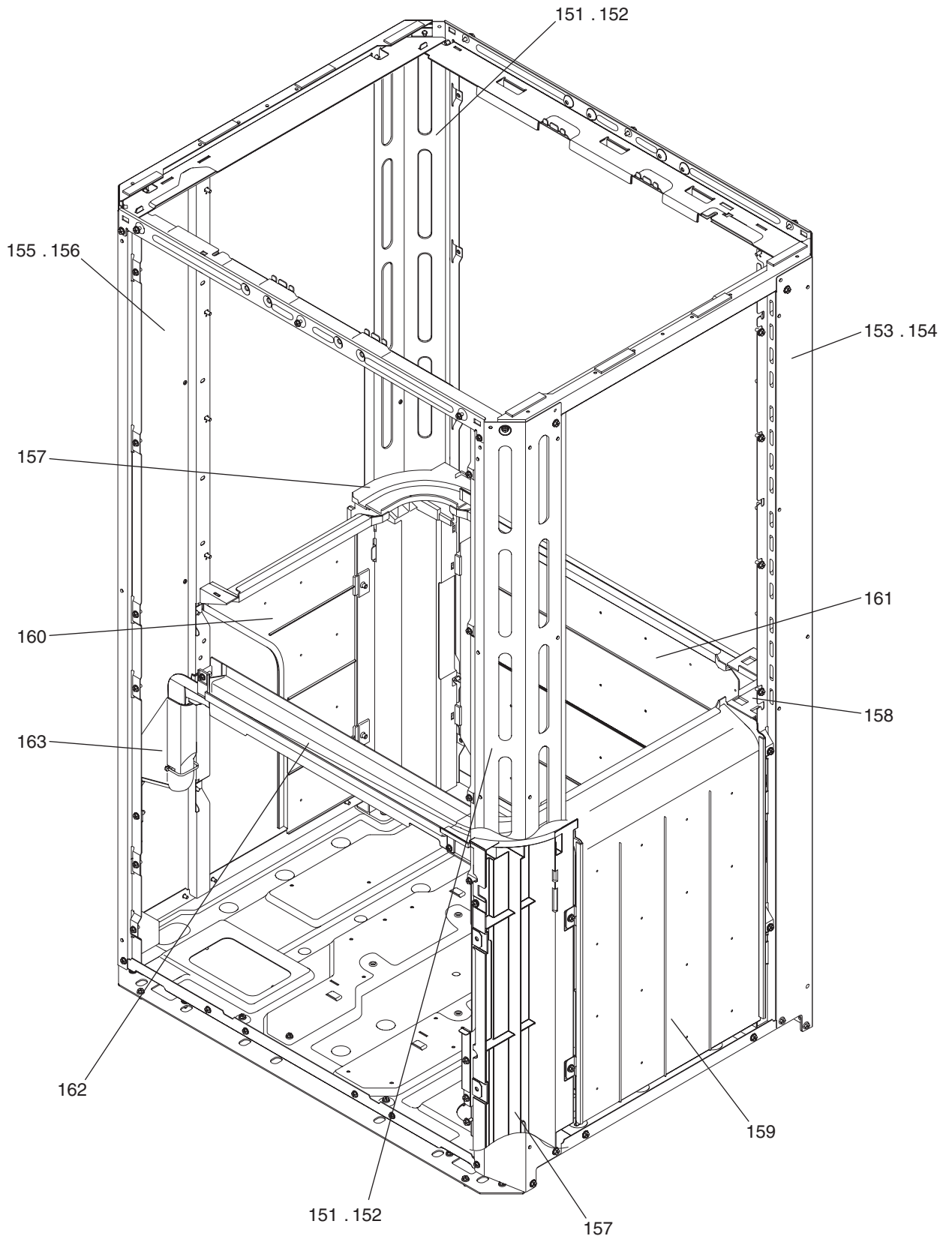
**PURY-EP1050YSNW-A2(-BS)** [PURY-EP500YNW-A2(-BS)+PURY-EP550YNW-A2(-BS)]

**PURY-EP1100YSNW-A2(-BS)** [PURY-EP550YNW-A2(-BS)+PURY-EP550YNW-A2(-BS)]

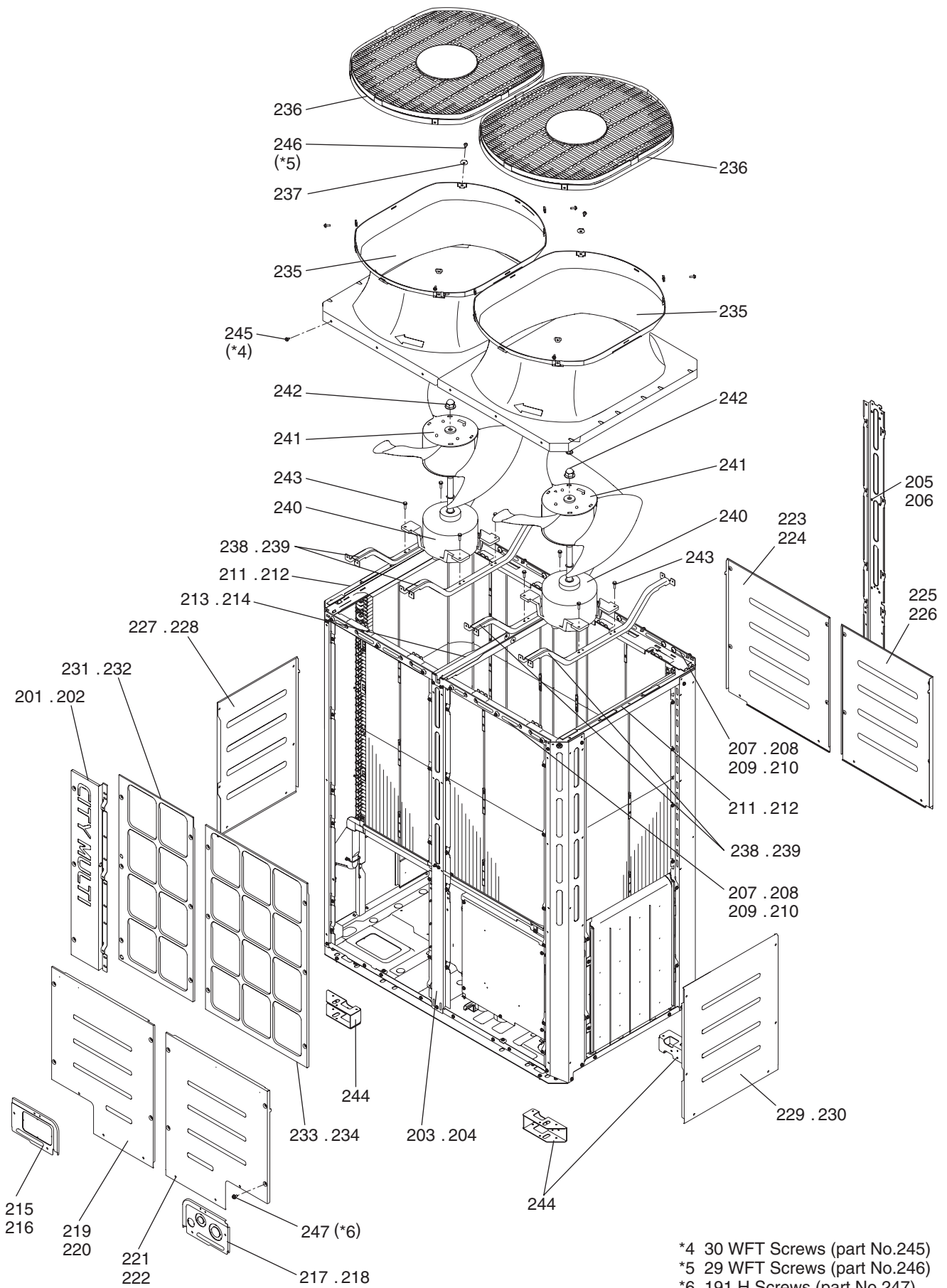


- \*1 24 WFT Screws (part No.131)
- \*2 24 WFT Screws (part No.132)
- \*3 174 H Screws (part No.133)





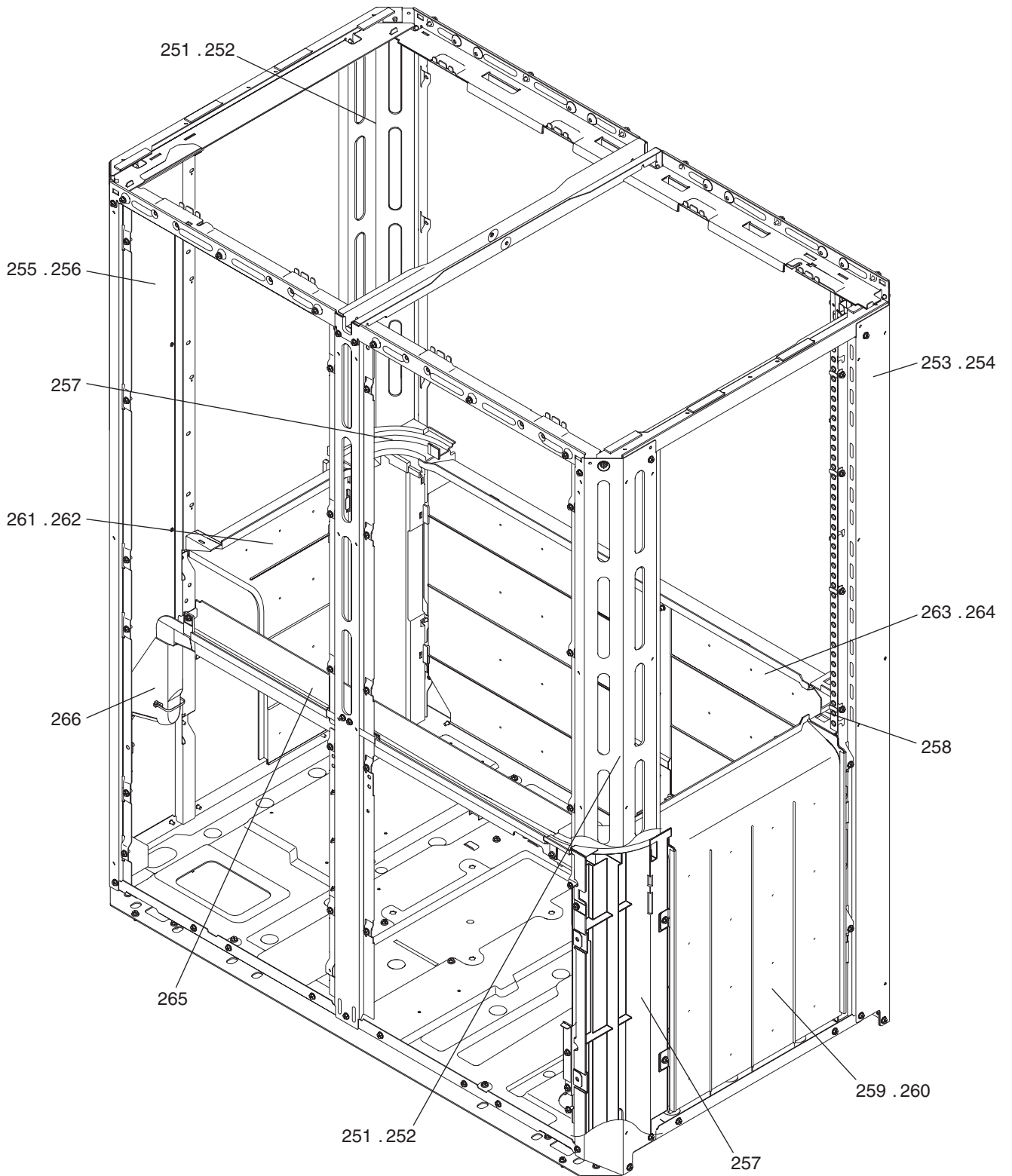




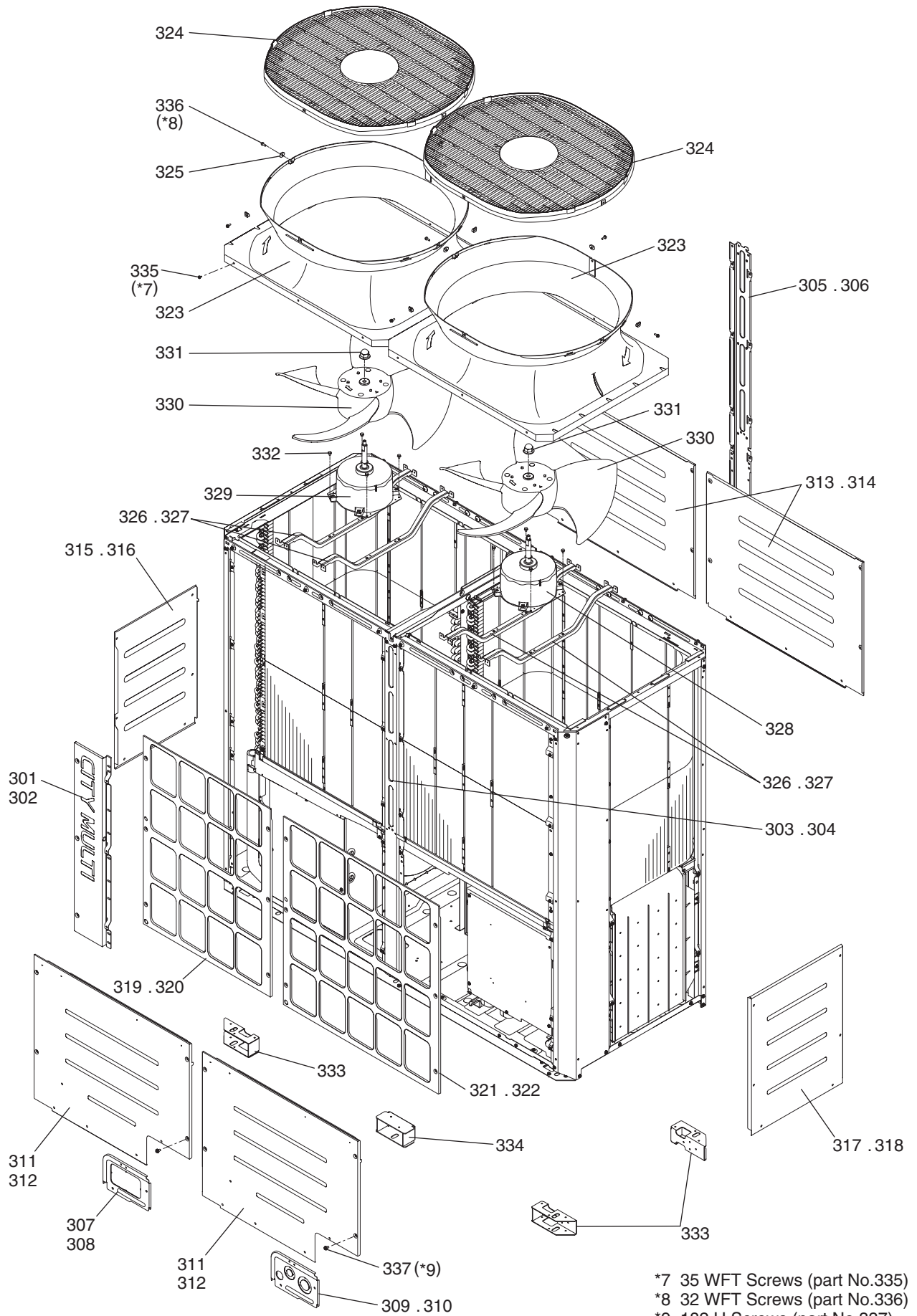
No.	Part No.	Part Name	Spec.							Dwg. No.	Notes for the models	Revision info.
				PURY-EP350YNW-A2	PURY-EP350YNW-A2-BS	PURY-EP400YNW-A2	PURY-EP400YNW-A2-BS	PURY-EP450YNW-A2	PURY-EP450YNW-A2-BS			
201	R61 043 626	Pillar LF2		1		1		1		KJ00F066G09		
202	R61 044 626	Pillar LF2	BS		1		1		1	KJ00F066G10		
203	R61 070 626	Pillar assy C		1		1		1		KS00L326G13		
204	R61 071 626	Pillar assy C	BS		1		1		1	KS00L326G14		
205	R61 082 626	Pillar C		1		1		1		KS00L327G13		
206	R61 083 626	Pillar C	BS		1		1		1	KS00L327G14		
207	R61 134 162	Frame assy FB		2		2				KL00G709G03		
208	R61 135 162	Frame assy FB	BS		2		2			KL00G709G04		
209	R61 136 162	Frame assy FB 3L							2	KL00G717G03		
210	R61 137 162	Frame assy FB 3L	BS						2	KL00G717G04		
211	R61 171 162	Frame assy LR		2		2		2		KS00L332G15		
212	R61 172 162	Frame assy LR	BS		2		2		2	KS00L332G16		
213	R61 162 162	Frame assy C		1		1		1		KJ00K843G01		
214	R61 163 162	Frame assy C	BS		1		1		1	KJ00K843G02		
215	R61 218 690	Piping cover		1		1		1		KJ00F069G05		
216	R61 219 690	Piping cover	BS		1		1		1	KJ00F069G06		
217	R61 220 690	Wiring cover		1		1		1		KJ00F070G05		
218	R61 221 690	Wiring cover	BS		1		1		1	KJ00F070G06		
219	R61 390 651	Panel FL		1		1		1		KS00L335G07		
220	R61 391 651	Panel FL	BS		1		1		1	KS00L335G08		
221	R61 392 651	Panel FR		1		1		1		KS00L336G09		
222	R61 393 651	Panel FR	BS		1		1		1	KS00L336G10		
223	R61 394 651	Panel BL		1		1		1		KD02B680H02		
224	R61 395 651	Panel BL	BS		1		1		1	KS00R824G01		
225	R61 396 651	Panel BR		1		1		1		KD02B681H02		
226	R61 397 651	Panel BR	BS		1		1		1	KS00R825G01		
227	R61 383 651	Panel L		1		1		1		KS02R320H02		
228	R61 384 651	Panel L	BS		1		1		1	KS00R822G01		
229	R61 385 651	Panel R		1		1		1		KS02R321H02		
230	R61 386 651	Panel R	BS		1		1		1	KS00R823G01		
231	R61 020 611	Fin guard FL		1		1		1		KD02B849H02		
232	R61 021 611	Fin guard FL	BS		1		1		1	KS00T210G02		
233	R61 022 611	Fin guard FR		1		1		1		KD02B850H01		
234	R61 023 611	Fin guard FR	BS		1		1		1	KS00T211G01		
235	R61 016 119	Bell mouth		2	2	2	2	2	2	KB25Y025H08		
236	R61 019 118	Fan guard		2	2	2	2	2	2	KB25Y024H05		
237	R61 009 669	Plate fanguard		8	8	8	8	8	8	KD02D205H03		
238	R61 040 140	Base fan		4		4		4		KS02B161H01		
239	R61 041 140	Base fan	BS		4		4		4	KS02B161G01		
240	R61 351 220	Motor	LM-750-F4-1	2	2	2	2	2	2	P780354X02		
241	R61 048 114	Fan	550D	2	2	2	2	2	2	KB25A994H02		
242	R63 4H6 122	Box nut	M12 CH	2	2	2	2	2	2	P552000X01		
243	R61 028 087	Upset screw	M6 x 22	8	8	8	8	8	8	P516049X01		
244	R61 042 130	Attachment leg		4	4	4	4	4	4	KJ00F064G02		
245	R63 006 087	WFT screw	M5 x 12(30pcs)	1	1	1	1	1	1	KB00H418G01	*4	





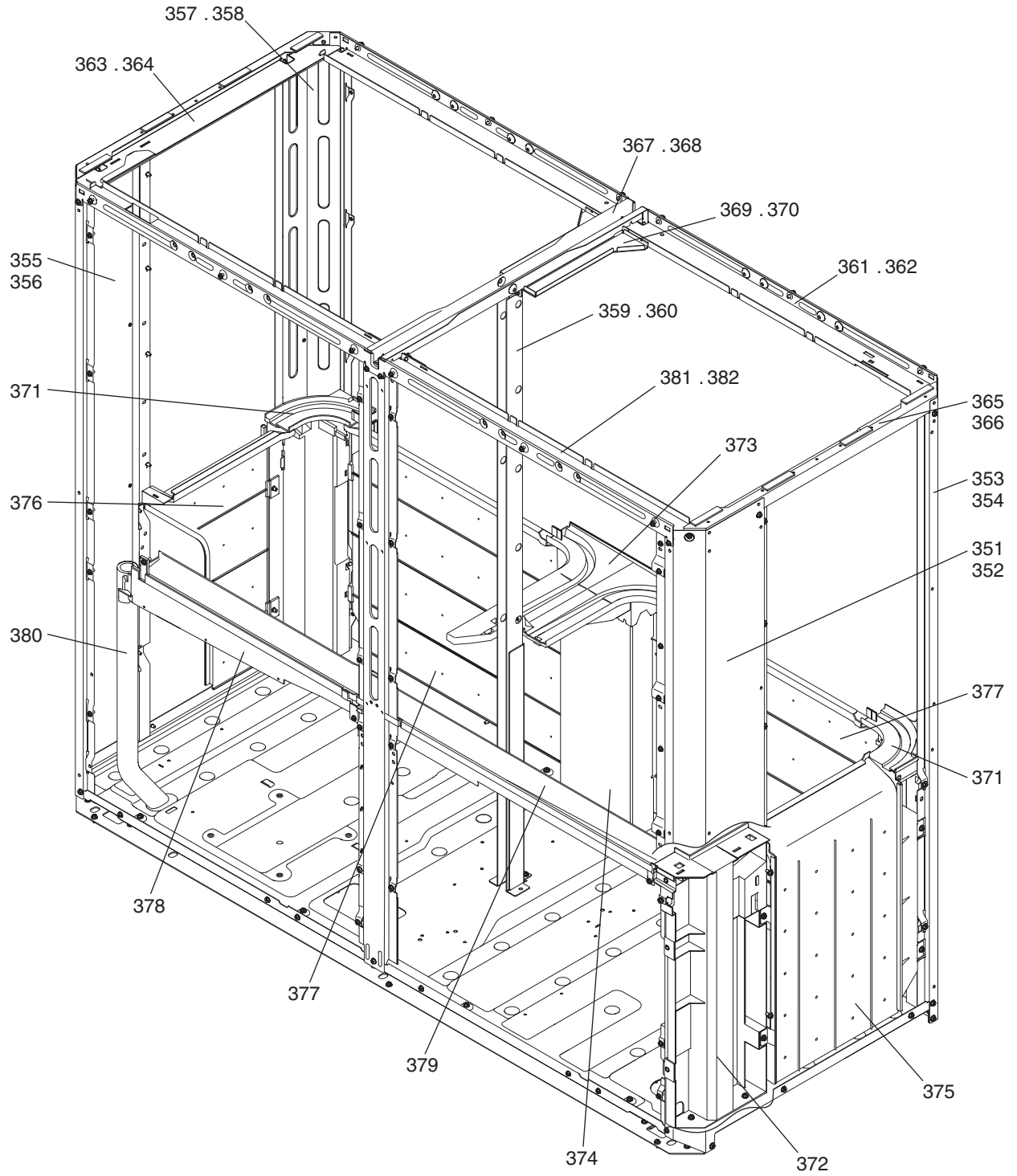




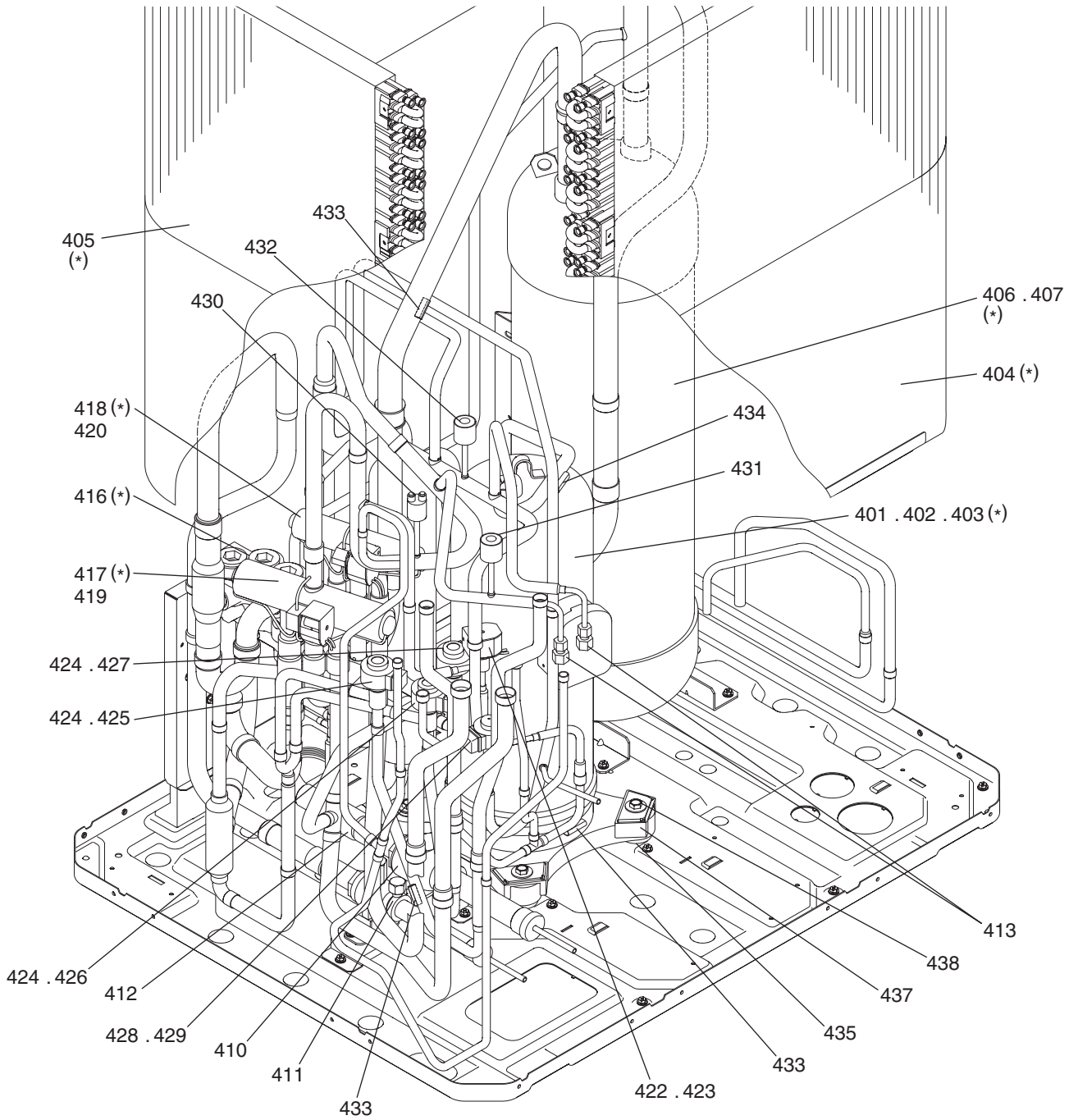


- \*7 35 WFT Screws (part No.335)
- \*8 32 WFT Screws (part No.336)
- \*9 182 H Screws (part No.337)

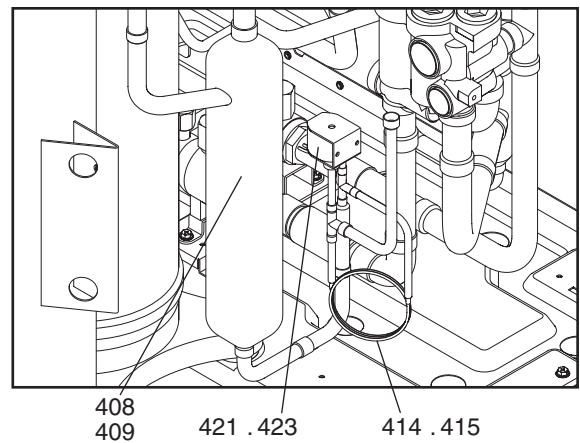
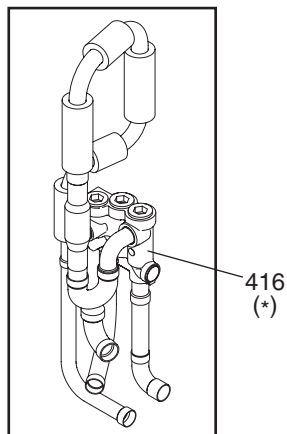
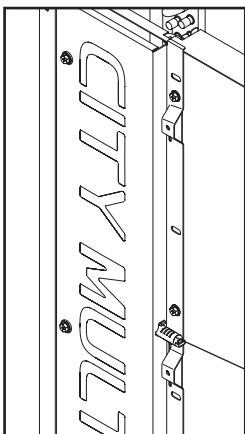








\* with instructions

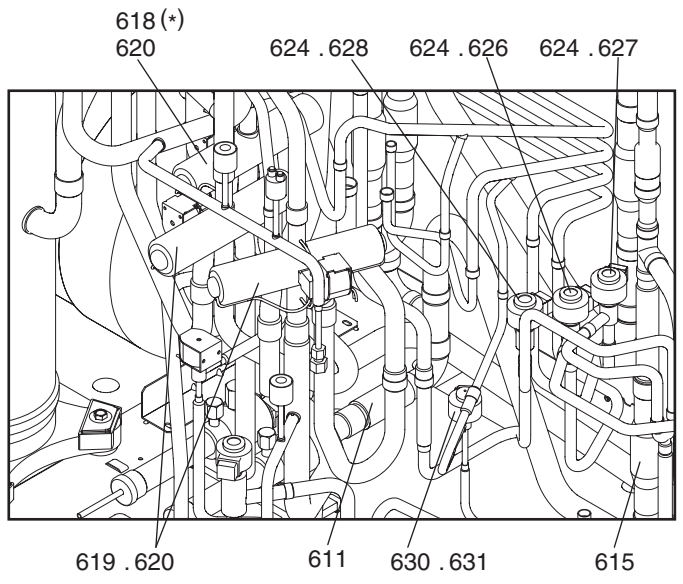
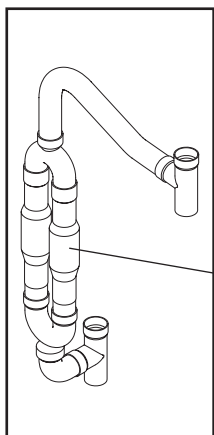
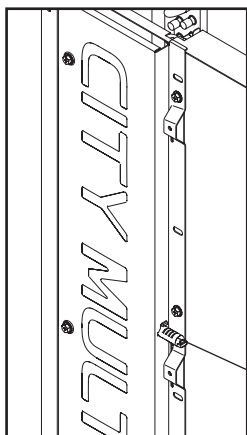
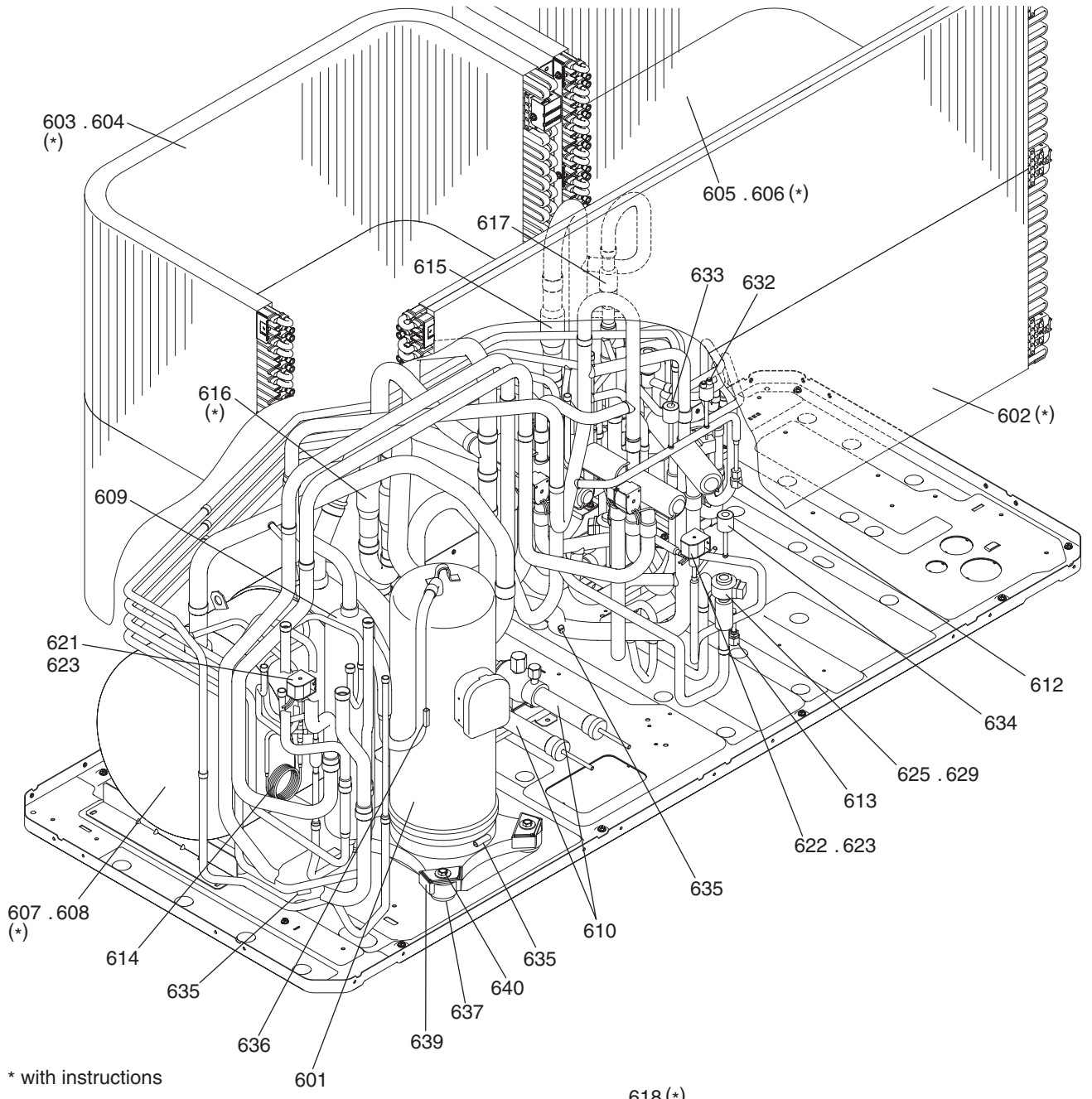








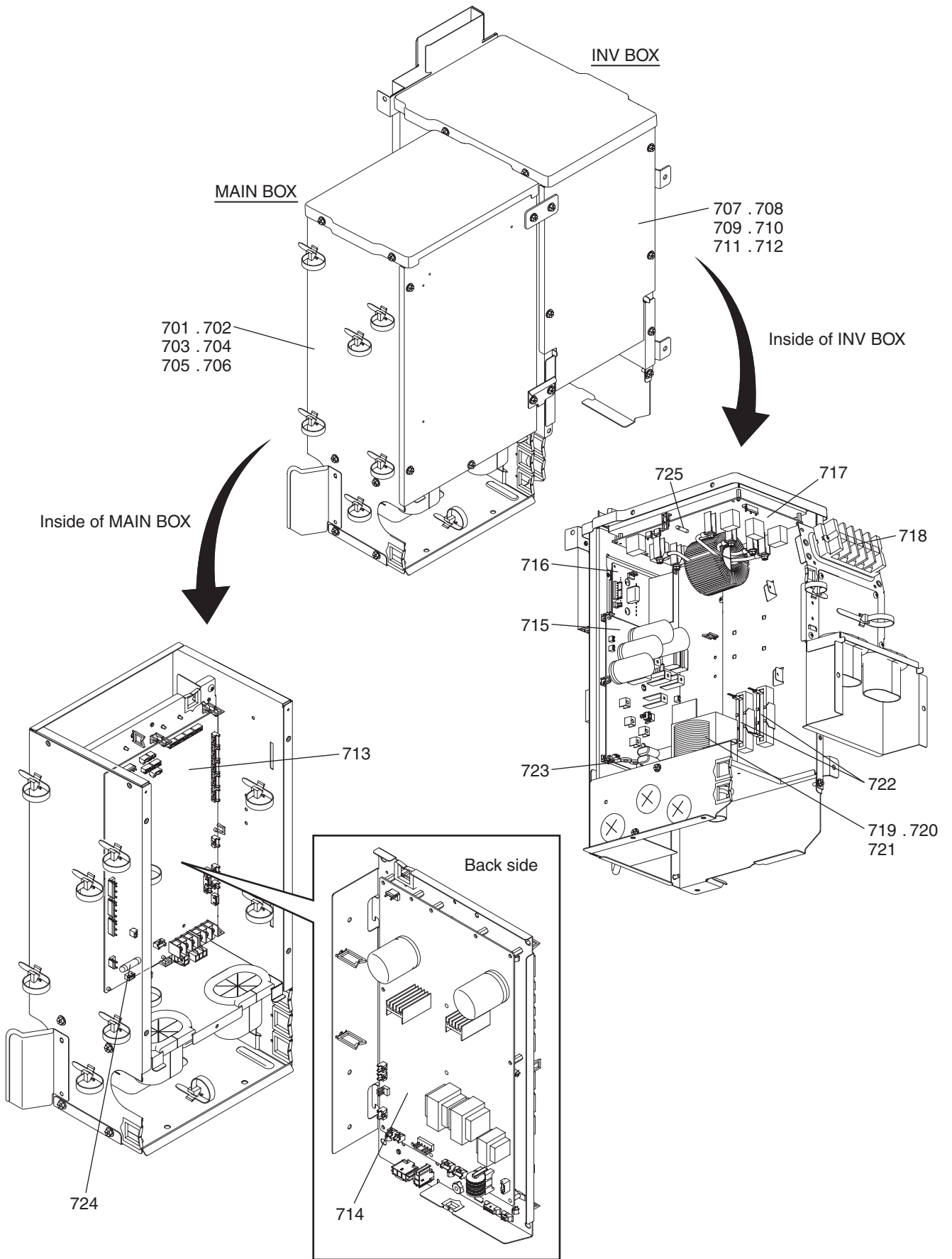




No.	Part No.	Part Name	Spec.	PURY-EP500YNW-A2	PURY-EP500YNW-A2BS	PURY-EP550YNW-A2	PURY-EP550YNW-A2BS	Dwg. No.	Notes for the models	Revision info.
601	R69 171 478	Scroll compressor	HNB97FB-YE	1	1	1	1	EP10148B04		
602	R61 K74 480	Heat exchanger SP kit	2L F	1	1	1	1	KJ00H780G02	*	
603	R61 K75 480	Heat exchanger SP kit	2L L	1		1		KJ00H781G01	*	
604	R61 K76 480	Heat exchanger SP kit	2L L BS		1		1	KJ00H781G02	*	
605	R61 K77 480	Heat exchanger SP kit	2L R	1		1		KJ00H782G01	*	
606	R61 K78 480	Heat exchanger SP kit	2L R BS		1		1	KJ00H782G02	*	
607	R61 180 484	Accumulator assy SP kit		1		1		KS00D242G30	*	
608	R61 181 484	Accumulator assy SP kit	BS		1		1	KS00D242G31	*	
609	R61 062 487	Oil separator assy		1	1	1	1	KL00L164G01		
610	R61 028 410	Ball valve	FQ-115-DN25	2	2	2	2	KJ00P917G01	<BV1,2>	
611	R61 016 454	Strainer	28.6D-28.8D	1	1	1	1	P641146X01	<ST1>	
612	R61 008 413	Check joint	TCJ-2GME-4	1	1	1	1	KR50C379H01	<CJ1>	
613	R63 R34 413	Check joint L	R410A	1	1	1	1	P666004X02	<CJ2>	
614	R63 R55 425	Capillary tube assy		1	1	1	1	W905191G02	<CP1>	
615	R61 065 418	Check valve	YBV-22Y9GMD-4	2	2	2	2	P639196X01	<CV3a,5a>	
616	R61 091 418	CV assy SP kit		1	1	1	1	KS00D243G04	<CV2a,2b>*	
617	R61 019 418	Check valve	UCV-A1507DQ4	1	1	1	1	P633135X01	<CV6a>	
618	R61 022 403	Four way valve A SP kit		1	1	1	1	KS00D244G05	<21S4a>*	
619	R61 013 403	Four way valve	STF-H0731	2	2	2	2	P633130X01	<21S4b,4c>	
620	R61 021 242	Four way valve coil	STF-H01AJ2355A1	3	3	3	3	P472118X01	<21S4a,4b,4c>	
621	R63 046 232	Solenoid valve	FDFA2A77	1	1	1	1	P631312X01	<SV1a>	
622	R13 018 921	Solenoid valve	FDFA4-A-016-RK	1	1	1	1	P631311X01	<SV2>	
623	R61 055 243	Solenoid valve coil	FQ-A0122G-0015724	2	2	2	2	P472116X01	<SV1a,2>	
624	R61 107 401	Linear expansion valve	PAM-BB0YGMD-2	3	3	3	3	KR50C486H01	<LEV2a,2b,2c>	
625	R61 112 401	Linear expansion valve	PDM-BD130MD-1	1	1	1	1	P632630X01	<LEV2d>	
626	R61 142 401	Linear expansion valve coil	PAM-MD12MD-17	1	1	1	1	P472109X01	<LEV2a>	
627	R61 143 401	Linear expansion valve coil	PAM-MD12MD-18	1	1	1	1	P472110X01	<LEV2b>	
628	R61 144 401	Linear expansion valve coil	PAM-MD12MD-19	1	1	1	1	P472111X01	<LEV2c>	
629	R61 145 401	Linear expansion valve coil	PAM-MD12MD-20	1	1	1	1	P472112X01	<LEV2d>	
630	R63 R34 401	Linear expansion valve	CAM-B35YGMD-2	1	1	1	1	P632416X01	<LEV9>	
631	R61 111 401	Linear expansion valve coil	CAM-MD12MD-125	1	1	1	1	P472113X01	<LEV9>	
632	R61 052 208	Pressure switch	ACB-1UB179W	1	1	1	1	P426346X01	<63H>	
633	R61 139 288	Pressure sensor	NSK-BH042D-501	1	1	1	1	KB00H904G34	<63HS>	
634	R61 140 288	Pressure sensor	NSK-BH017D-602	1	1	1	1	KB00H904G35	<63LS>	
635	R61 280 200	Thermistor	PXM-41E-M105-01Y	4	4	4	4	P418144X01	<TH3,5,7,15>	
636	R61 294 200	Thermistor	PX2M-56D-M2	1	1	1	1	P418110X01	<TH4>	
637	R63 852 860	Rubber mount		4	4	4	4	W897574H01	For compressor	
638	R61 001 310	Sensor holder		1	1	1	1	KB25B471G02		
639	R61 027 155	Attachment (HH)		4	4	4	4	KJ00F713G04		
640	R61 009 306	Bolt	M6	4	4	4	4	KJ12F711H05		

PURY-EP200,EP250,EP300YNW-A2  
 PURY-EP200,EP250,EP300YNW-A2-BS

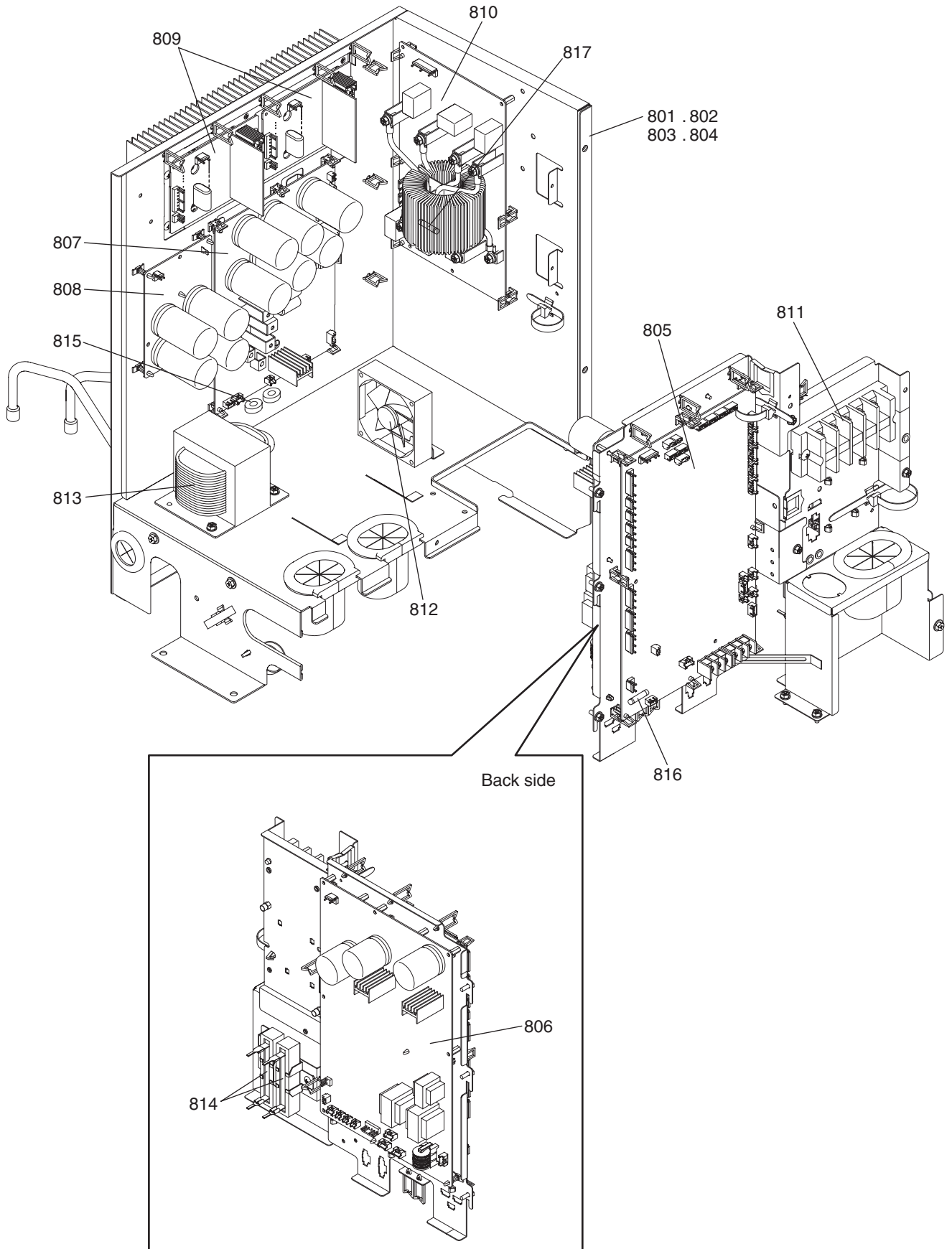
CONTROL BOX PARTS (1)



Notice: Consult your service agency when the wiring needs to be replaced.  
 (Replacing wiring will take about 2 months.)



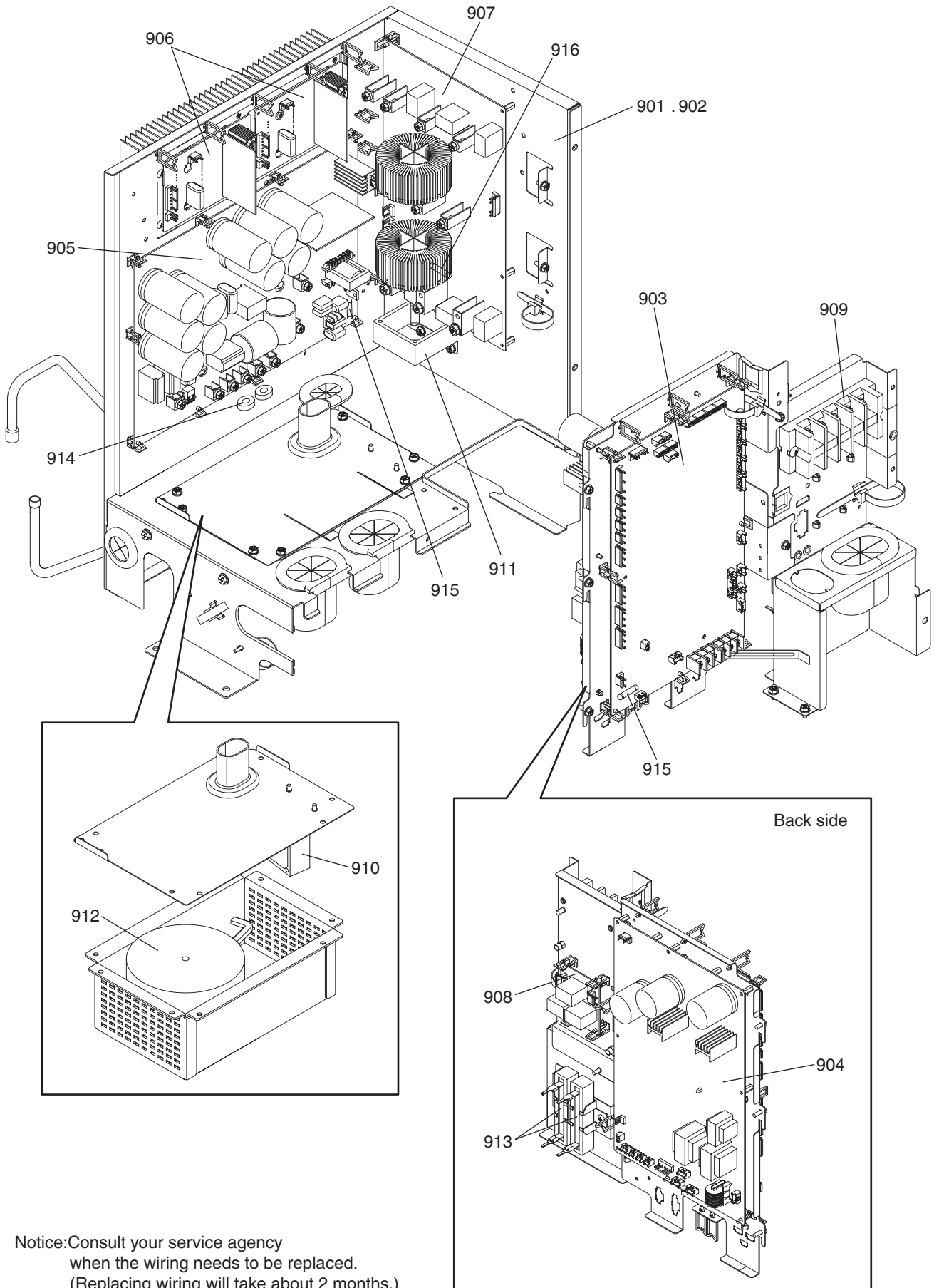




Notice: Consult your service agency when the wiring needs to be replaced.  
 (Replacing wiring will take about 2 months.)







Notice: Consult your service agency  
 when the wiring needs to be replaced.  
 (Replacing wiring will take about 2 months.)



**mitsubishi**  
**electric**  
**corporation**

---

BWE022070 (20220630)