

SERVICE PARTS LIST FOR MITSUBISHI ELECTRIC PACKAGED AIR-CONDITIONERS

Series : PURY-P·Y(S)NW-A2(-BS)

For use with the R410A

June 2022

BWE022060

INDEX
PURY-P200YNW-A2(-BS)
PURY-P250YNW-A2(-BS)
PURY-P300YNW-A2(-BS)
PURY-P350YNW-A2(-BS)
PURY-P400YNW-A2(-BS)
PURY-P450YNW-A2(-BS)
PURY-P500YNW-A2(-BS)
PURY-P550YNW-A2(-BS)

The Package name list

PURY-P400YSNW-A2(-BS) [PURY-P200YNW-A2(-BS)+PURY-P200YNW-A2(-BS)]

PURY-P450YSNW-A2(-BS) [PURY-P200YNW-A2(-BS)+PURY-P250YNW-A2(-BS)]

PURY-P500YSNW-A2(-BS) [PURY-P250YNW-A2(-BS)+PURY-P250YNW-A2(-BS)]

PURY-P550YSNW-A2(-BS) [PURY-P250YNW-A2(-BS)+PURY-P300YNW-A2(-BS)]

PURY-P600YSNW-A2(-BS) [PURY-P300YNW-A2(-BS)+PURY-P300YNW-A2(-BS)]

PURY-P650YSNW-A2(-BS) [PURY-P300YNW-A2(-BS)+PURY-P350YNW-A2(-BS)]

PURY-P700YSNW-A2(-BS) [PURY-P350YNW-A2(-BS)+PURY-P350YNW-A2(-BS)]

PURY-P750YSNW-A2(-BS) [PURY-P350YNW-A2(-BS)+PURY-P400YNW-A2(-BS)]

PURY-P800YSNW-A2(-BS) [PURY-P400YNW-A2(-BS)+PURY-P400YNW-A2(-BS)]

PURY-P850YSNW-A2(-BS) [PURY-P400YNW-A2(-BS)+PURY-P450YNW-A2(-BS)]

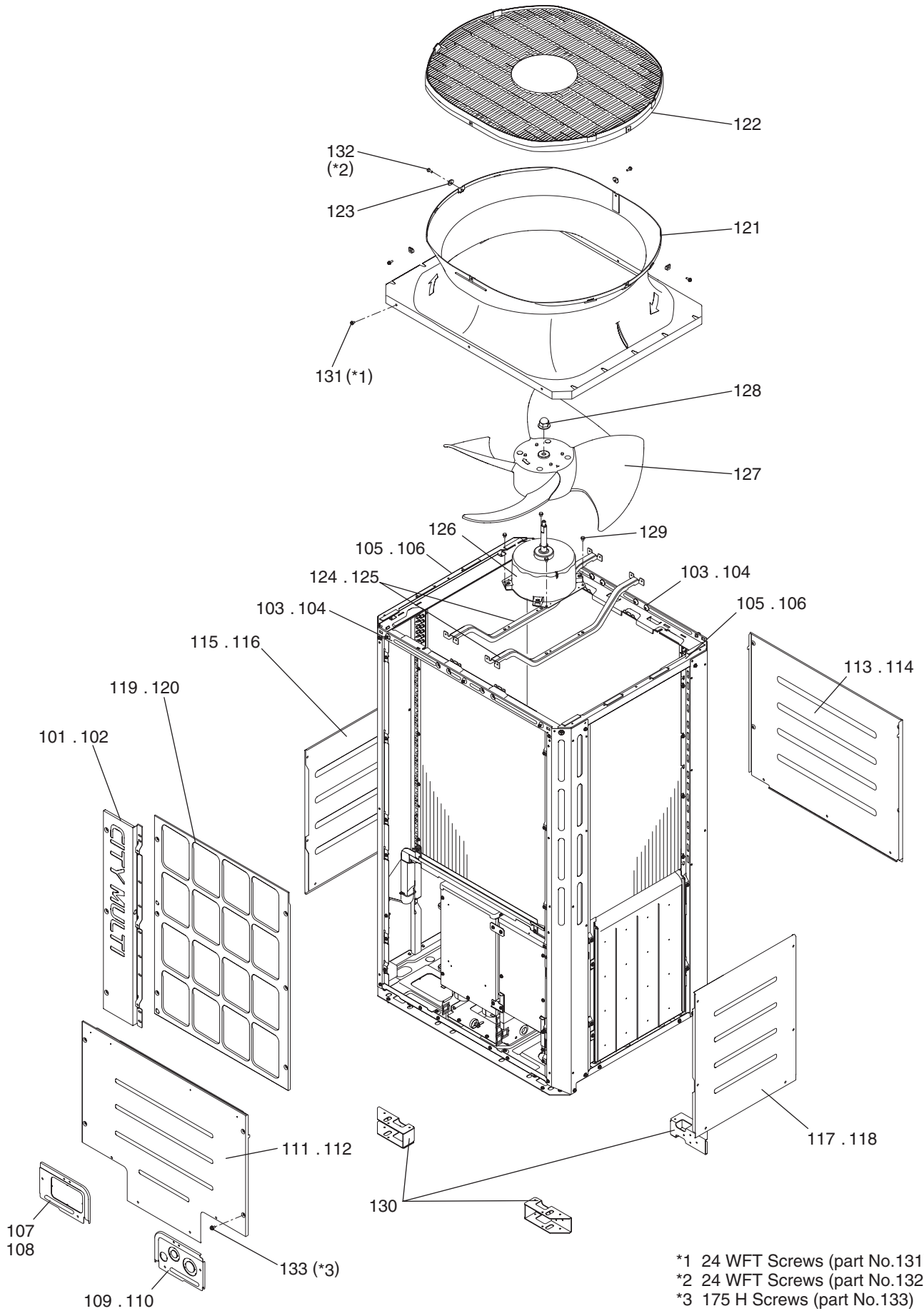
PURY-P900YSNW-A2(-BS) [PURY-P450YNW-A2(-BS)+PURY-P450YNW-A2(-BS)]

PURY-P950YSNW-A2(-BS) [PURY-P450YNW-A2(-BS)+PURY-P500YNW-A2(-BS)]

PURY-P1000YSNW-A2(-BS) [PURY-P500YNW-A2(-BS)+PURY-P500YNW-A2(-BS)]

PURY-P1050YSNW-A2(-BS) [PURY-P500YNW-A2(-BS)+PURY-P550YNW-A2(-BS)]

PURY-P1100YSNW-A2(-BS) [PURY-P550YNW-A2(-BS)+PURY-P550YNW-A2(-BS)]

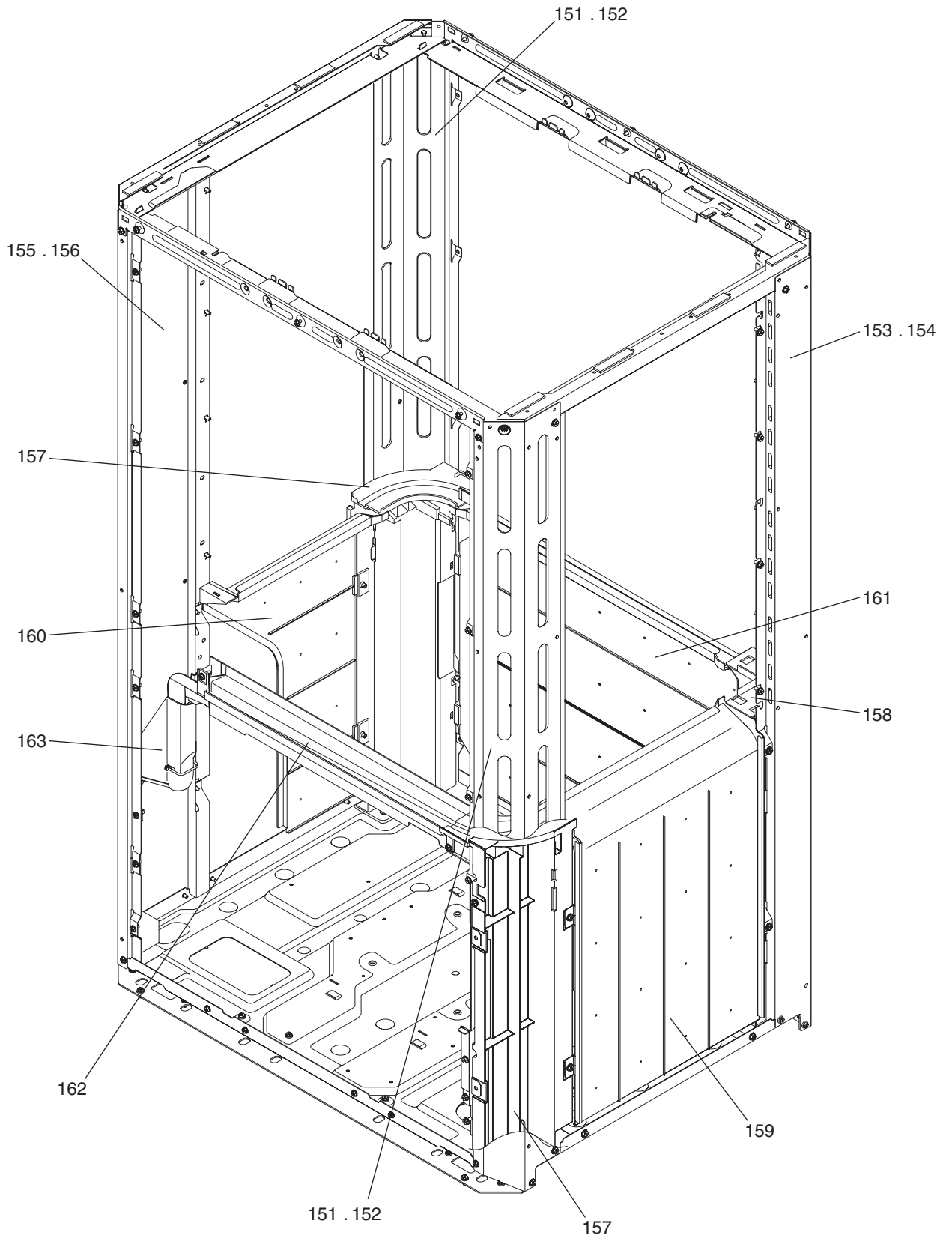


- *1 24 WFT Screws (part No.131)
- *2 24 WFT Screws (part No.132)
- *3 175 H Screws (part No.133)

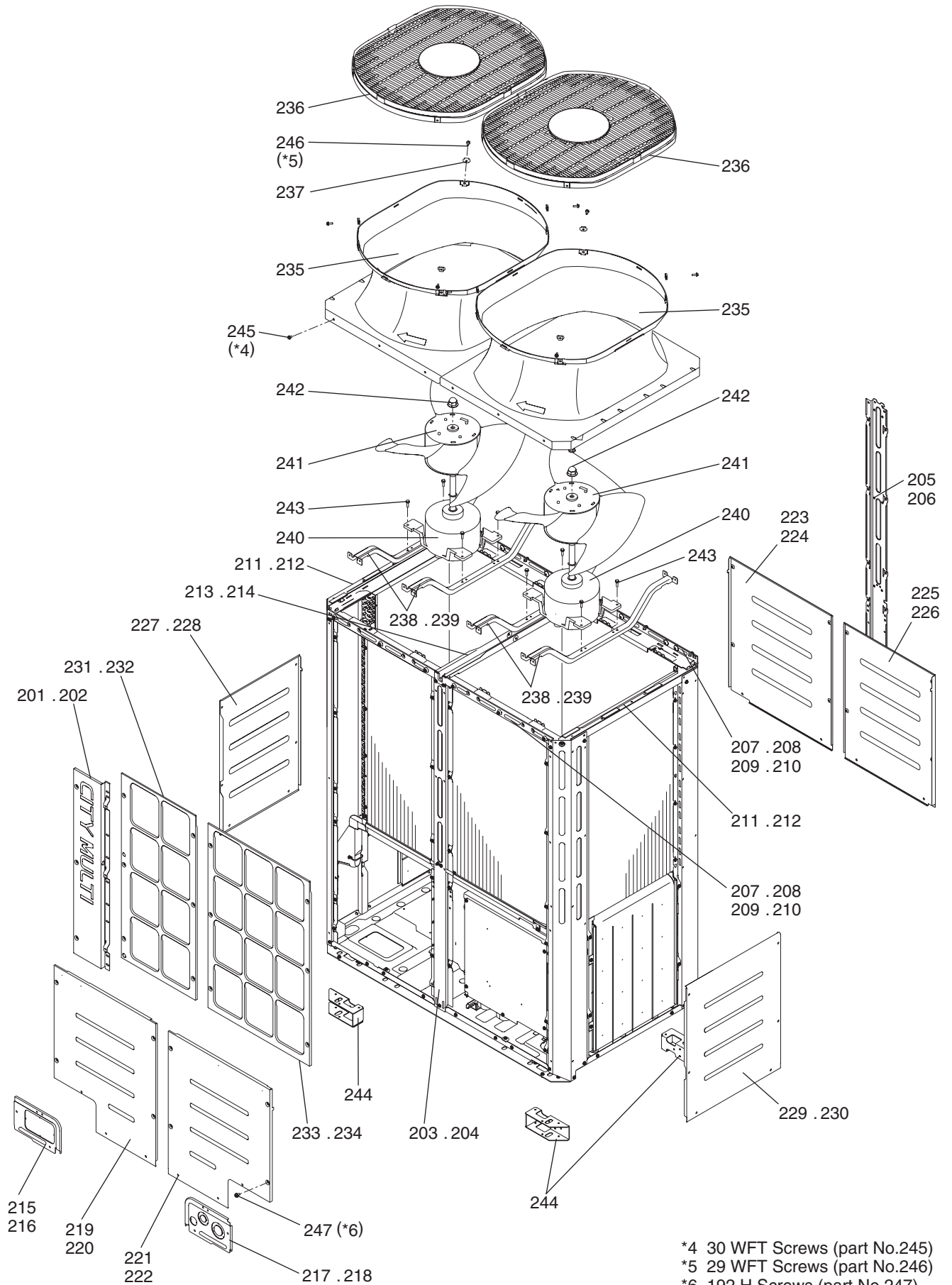
PURY-P200,P250,P300YNW-A2
PURY-P200,P250,P300YNW-A2-BS

EXTERNAL PARTS & BLOWER PARTS (1-1)

No.	Part No.	Part Name	Spec.							Dwg. No.	Notes for the models	Revision info.
				PURY-P200YNW-A2	PURY-P200YNW-A2-BS	PURY-P250YNW-A2	PURY-P250YNW-A2-BS	PURY-P300YNW-A2	PURY-P300YNW-A2-BS			
101	R61 043 626	Pillar LF2		1	1	1				KJ00F066G09		
102	R61 044 626	Pillar LF2	BS		1	1	1			KJ00F066G10		
103	R61 130 162	Frame assy FB		2	2	2				KL00G707G03		
104	R61 131 162	Frame assy FB	BS		2	2	2			KL00G707G04		
105	R61 171 162	Frame assy LR		2	2	2				KS00L332G15		
106	R61 172 162	Frame assy LR	BS		2	2	2			KS00L332G16		
107	R61 218 690	Piping cover		1	1	1				KJ00F069G05		
108	R61 219 690	Piping cover	BS		1	1	1			KJ00F069G06		
109	R61 220 690	Wiring cover		1	1	1				KJ00F070G05		
110	R61 221 690	Wiring cover	BS		1	1	1			KJ00F070G06		
111	R61 379 651	Panel F		1	1	1				KS00L334G07		
112	R61 380 651	Panel F	BS		1	1	1			KS00L334G08		
113	R61 381 651	Panel B		1	1	1				KD02B671H02		
114	R61 382 651	Panel B	BS		1	1	1			KS00R821G01		
115	R61 383 651	Panel L		1	1	1				KS02R320H02		
116	R61 384 651	Panel L	BS		1	1	1			KS00R822G01		
117	R61 385 651	Panel R		1	1	1				KS02R321H02		
118	R61 386 651	Panel R	BS		1	1	1			KS00R823G01		
119	R61 018 611	Fin guard		1	1	1				KD02B848H02		
120	R61 019 611	Fin guard	BS		1	1	1			KS00T209G02		
121	R61 004 119	Bell mouth		1	1	1	1	1	1	KB25A368H04		
122	R11 003 009	Fan guard		1	1	1	1	1	1	KB25V019H04		
123	R61 009 669	Plate fanguard		4	4	4	4	4	4	KD02D205H03		
124	R61 040 140	Base fan		2	2	2				KS02B161H01		
125	R61 041 140	Base fan	BS		2	2	2			KS02B161G01		
126	R61 349 220	Motor	DC920 Y	1	1	1	1	1	1	KMM00001B15		
127	R61 047 114	Fan	700D	1	1	1	1	1	1	KB25A993H02		
128	R63 4H6 122	Box nut	M12 CH	1	1	1	1	1	1	P552000X01		
129	R63 014 087	Upset screw	M6 x 10	4	4	4	4	4	4	P516047X01		
130	R61 042 130	Attachment leg		4	4	4	4	4	4	KJ00F064G02		
131	R63 006 087	WFT screw	M5 x 12(30pcs)	1	1	1	1	1	1	KB00H418G01	*1	
132	R63 029 087	WFT screw	M5 x 16(10pcs)	3	3	3	3	3	3	KD00H026G01	*2	
133	R61 048 087	H screw	M5 x 10 KNURLED(30pcs)	6	6	6	6	6	6	KB00H418G14	*3	



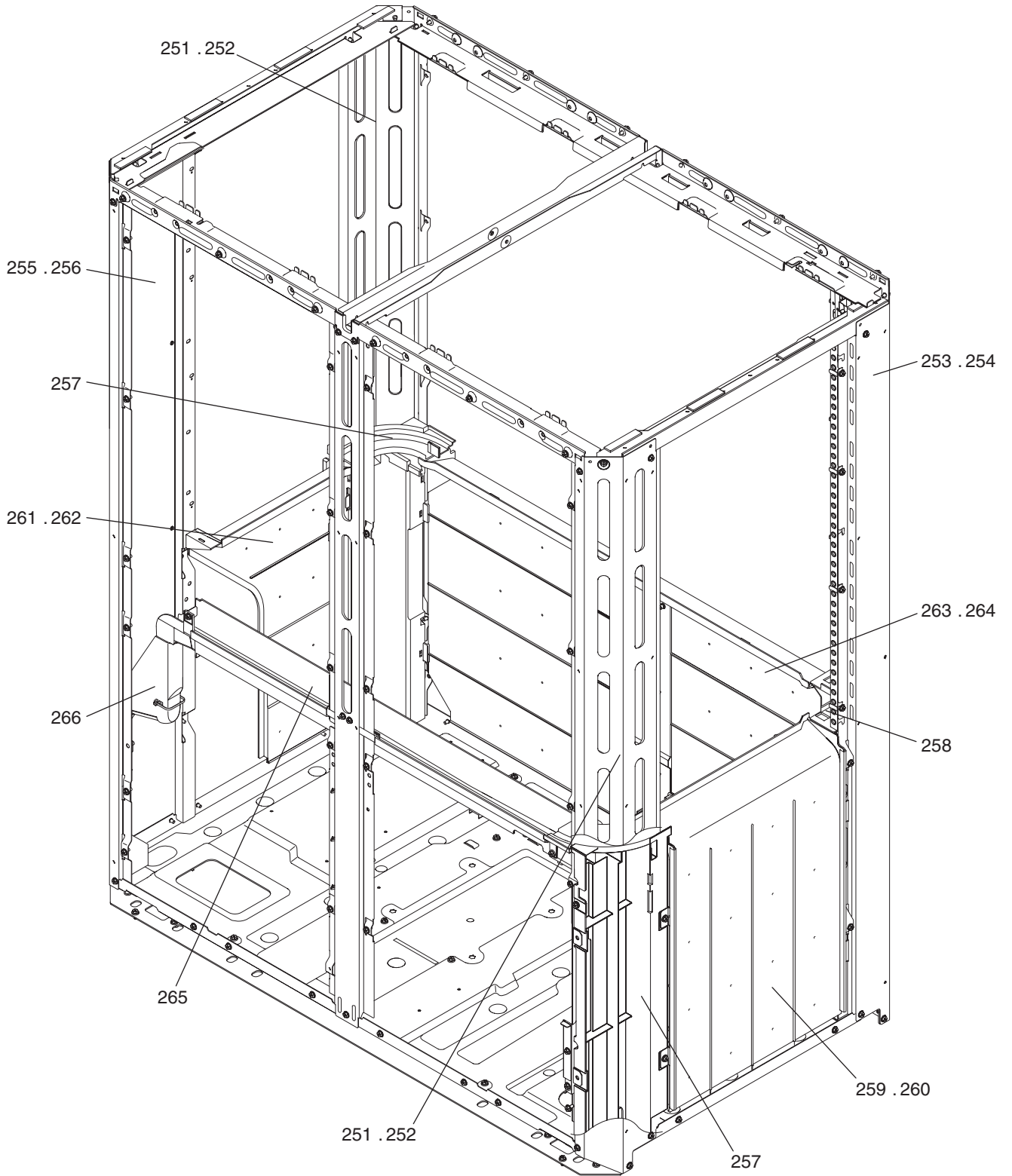
No.	Part No.	Part Name	Spec.	PURY-P200YNW-A2	PURY-P200YNW-A2-BS	PURY-P250YNW-A2	PURY-P250YNW-A2-BS	PURY-P300YNW-A2	PURY-P300YNW-A2-BS	Dwg. No.	Notes for the models	Revision info.
151	R61 045 626	Pillar RF		2		2		2		KS00L323G09		
152	R61 046 626	Pillar RF	BS		2		2		2	KS00L323G10		
153	R61 067 626	Pillar RB		1		1		1		KS00L324G13		
154	R61 068 626	Pillar RB	BS			1		1		KS00L324G14		
155	R61 078 626	Pillar LF1		1		1		1		KS00L325G13		
156	R61 079 626	Pillar LF1	BS			1		1		KS00L325G14		
157	R61 007 670	Support HEX assy 1		2	2	2	2	2	2	KS00L613G03		
158	R61 008 670	Support HEX assy 2		1	1	1	1	1	1	KS00L614G03		
159	R61 387 651	Inner panel assy R		1	1	1	1	1	1	KS00R845G09		
160	R61 388 651	Inner panel assy L		1	1	1	1	1	1	KS00L615G12		
161	R61 389 651	Inner panel assy B		1	1	1	1	1	1	KS00R846G13		
162	R61 194 529	Drain pan assy F		1	1	1	1	1	1	KS00D208G03		
163	R61 222 690	DEF cover assy		1	1	1	1	1	1	KS00L612G06		

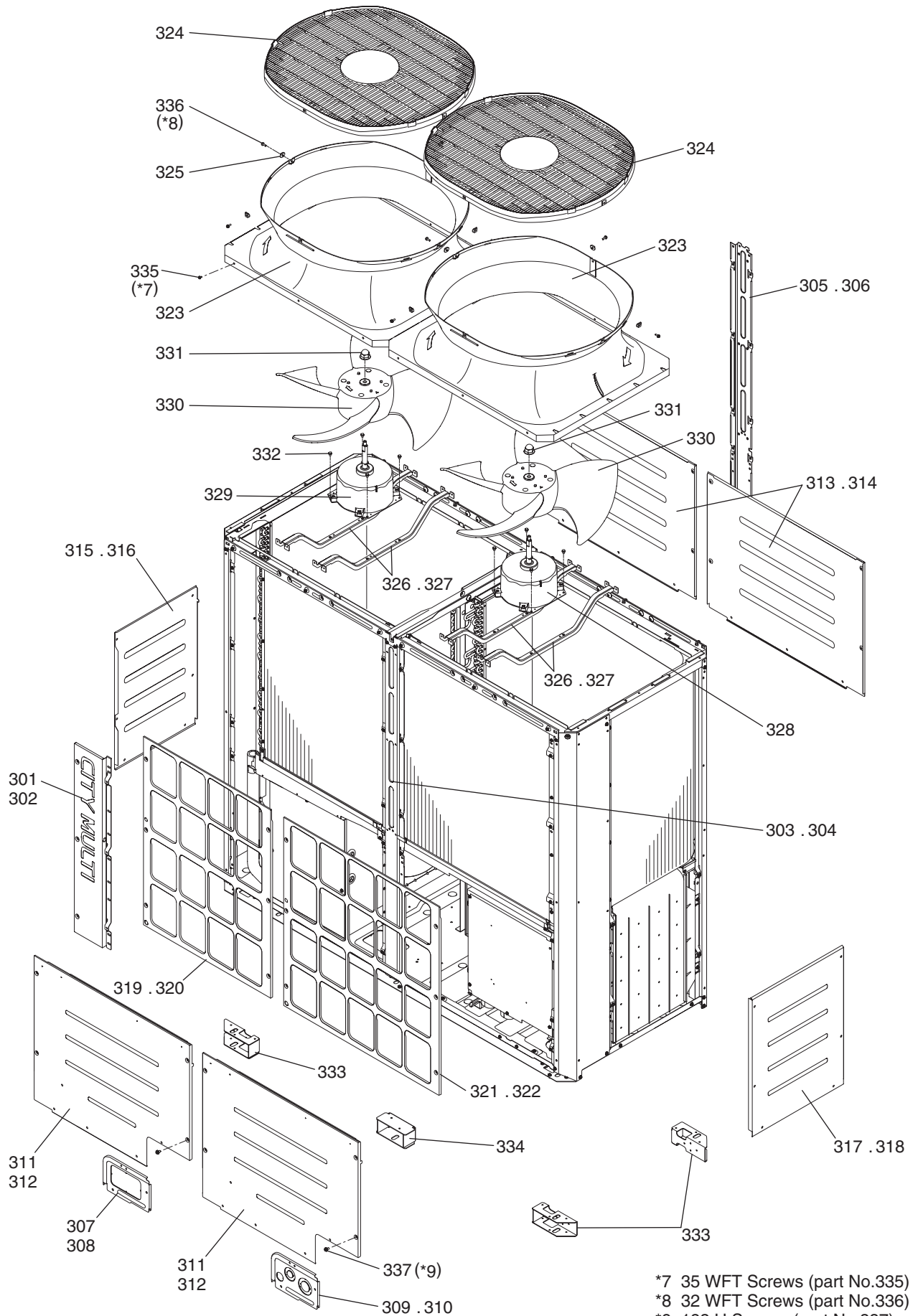


PURY-P350,P400,P450YNW-A2
PURY-P350,P400,P450YNW-A2-BS

EXTERNAL PARTS & BLOWER PARTS (2-1)

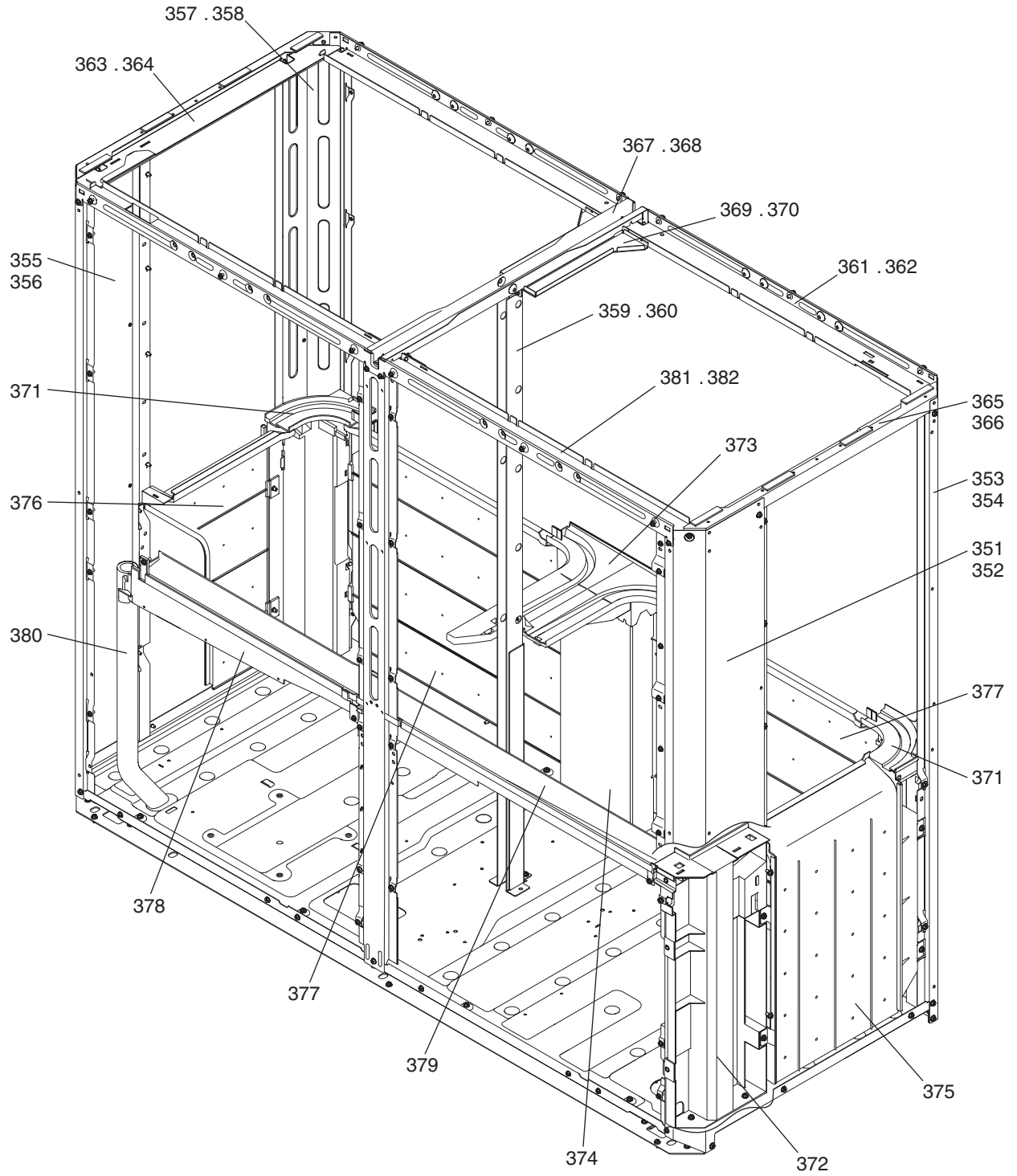
No.	Part No.	Part Name	Spec.	PURY-P350YNW-A2	PURY-P350YNW-A2-BS	PURY-P400YNW-A2	PURY-P400YNW-A2-BS	PURY-P450YNW-A2	PURY-P450YNW-A2-BS	Dwg. No.	Notes for the models	Revision info.
201	R61 043 626	Pillar LF2		1		1		1		KJ00F066G09		
202	R61 044 626	Pillar LF2	BS		1		1		1	KJ00F066G10		
203	R61 070 626	Pillar assy C		1		1		1		KS00L326G13		
204	R61 071 626	Pillar assy C	BS		1		1		1	KS00L326G14		
205	R61 082 626	Pillar C		1		1		1		KS00L327G13		
206	R61 083 626	Pillar C	BS		1		1		1	KS00L327G14		
207	R61 134 162	Frame assy FB		2		2				KL00G709G03		
208	R61 135 162	Frame assy FB	BS		2		2			KL00G709G04		
209	R61 136 162	Frame assy FB 3L						2		KL00G717G03		
210	R61 137 162	Frame assy FB 3L	BS					2		KL00G717G04		
211	R61 171 162	Frame assy LR		2		2		2		KS00L332G15		
212	R61 172 162	Frame assy LR	BS		2		2		2	KS00L332G16		
213	R61 162 162	Frame assy C		1		1		1		KJ00K843G01		
214	R61 163 162	Frame assy C	BS		1		1		1	KJ00K843G02		
215	R61 218 690	Piping cover		1		1		1		KJ00F069G05		
216	R61 219 690	Piping cover	BS		1		1		1	KJ00F069G06		
217	R61 220 690	Wiring cover		1		1		1		KJ00F070G05		
218	R61 221 690	Wiring cover	BS		1		1		1	KJ00F070G06		
219	R61 390 651	Panel FL		1		1		1		KS00L335G07		
220	R61 391 651	Panel FL	BS		1		1		1	KS00L335G08		
221	R61 392 651	Panel FR		1		1		1		KS00L336G09		
222	R61 393 651	Panel FR	BS		1		1		1	KS00L336G10		
223	R61 394 651	Panel BL		1		1		1		KD02B680H02		
224	R61 395 651	Panel BL	BS		1		1		1	KS00R824G01		
225	R61 396 651	Panel BR		1		1		1		KD02B681H02		
226	R61 397 651	Panel BR	BS		1		1		1	KS00R825G01		
227	R61 383 651	Panel L		1		1		1		KS02R320H02		
228	R61 384 651	Panel L	BS		1		1		1	KS00R822G01		
229	R61 385 651	Panel R		1		1		1		KS02R321H02		
230	R61 386 651	Panel R	BS		1		1		1	KS00R823G01		
231	R61 020 611	Fin guard FL		1		1		1		KD02B849H02		
232	R61 021 611	Fin guard FL	BS		1		1		1	KS00T210G02		
233	R61 022 611	Fin guard FR		1		1		1		KD02B850H01		
234	R61 023 611	Fin guard FR	BS		1		1		1	KS00T211G01		
235	R61 016 119	Bell mouth		2	2	2	2	2	2	KB25Y025H08		
236	R61 019 118	Fan guard		2	2	2	2	2	2	KB25Y024H05		
237	R61 009 669	Plate fanguard		8	8	8	8	8	8	KD02D205H03		
238	R61 040 140	Base fan		4		4		4		KS02B161H01		
239	R61 041 140	Base fan	BS		4		4		4	KS02B161G01		
240	R61 351 220	Motor	LM-750-F4-1	2	2	2	2	2	2	P780354X02		
241	R61 048 114	Fan	550D	2	2	2	2	2	2	KB25A994H02		
242	R63 4H6 122	Box nut	M12 CH	2	2	2	2	2	2	P552000X01		
243	R61 028 087	Upset screw	M6 x 22	8	8	8	8	8	8	P516049X01		
244	R61 042 130	Attachment leg		4	4	4	4	4	4	KJ00F064G02		
245	R63 006 087	WFT screw	M5 x 12(30pcs)	1	1	1	1	1	1	KB00H418G01	*4	



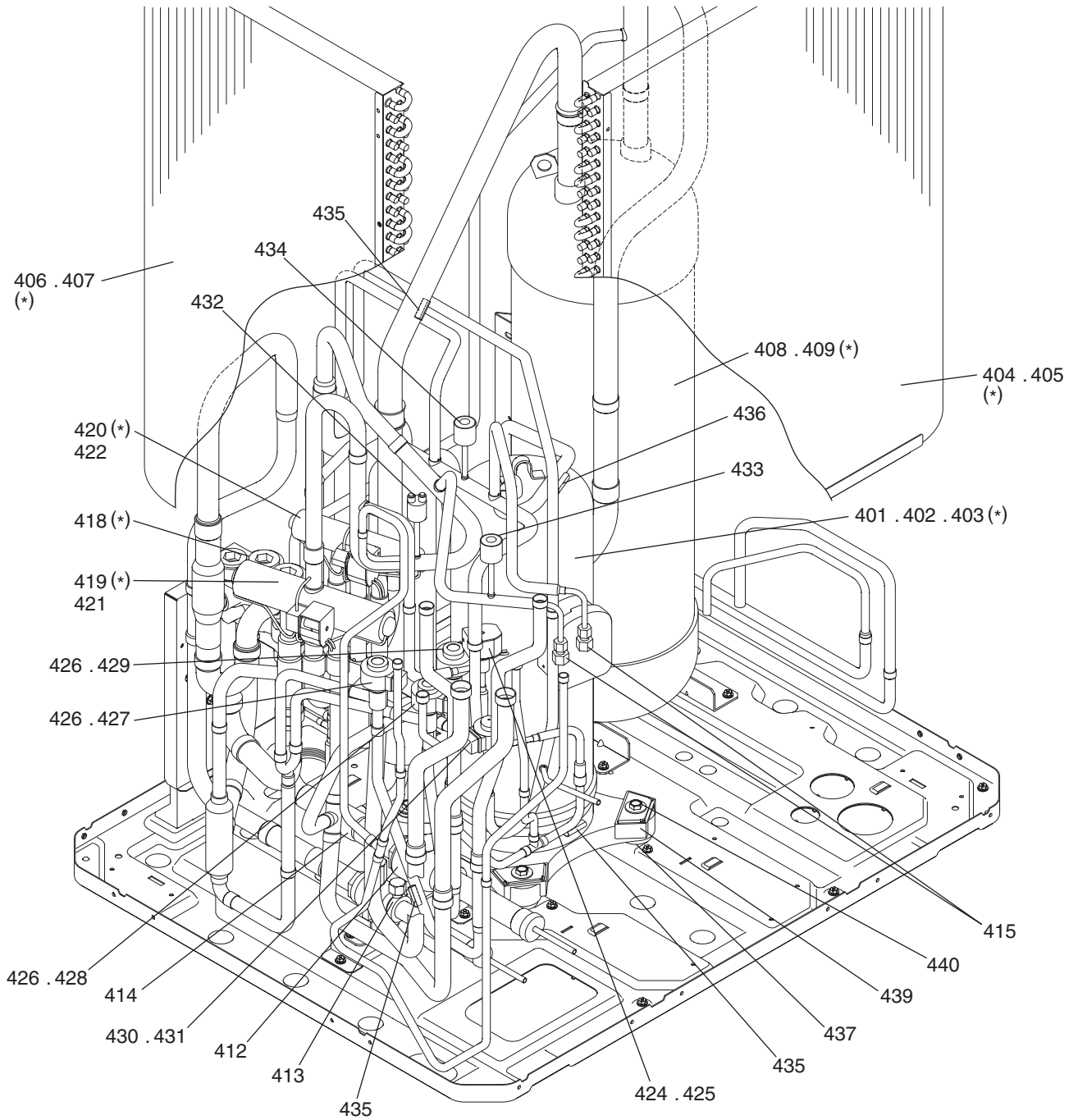


- *7 35 WFT Screws (part No.335)
- *8 32 WFT Screws (part No.336)
- *9 183 H Screws (part No.337)

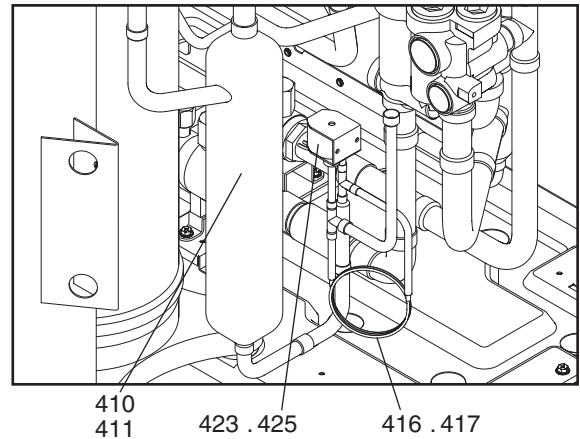
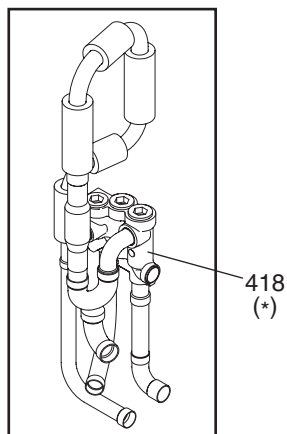
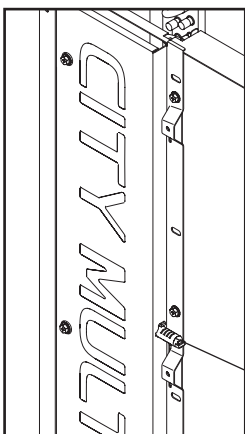
No.	Part No.	Part Name	Spec.	PURY-P500YNW-A2	PURY-P500YNW-A2-BS	PURY-P550YNW-A2	PURY-P550YNW-A2-BS	Dwg. No.	Notes for the models	Revision info.
301	R61 043 626	Pillar LF2		1		1		KJ00F066G09		
302	R61 044 626	Pillar LF2	BS		1	1		KJ00F066G10		
303	R61 070 626	Pillar assy C		1		1		KS00L326G13		
304	R61 071 626	Pillar assy C	BS		1	1		KS00L326G14		
305	R61 082 626	Pillar C		1		1		KS00L327G13		
306	R61 083 626	Pillar C	BS		1	1		KS00L327G14		
307	R61 223 690	Piping cover		1		1		KJ00F431G03		
308	R61 224 690	Piping cover	BS		1	1		KJ00F431G04		
309	R61 220 690	Wiring cover		1		1		KJ00F070G05		
310	R61 221 690	Wiring cover	BS		1	1		KJ00F070G06		
311	R61 403 651	Panel F		2		2		KS00R550G07		
312	R61 406 651	Panel F	BS		2	2		KS00R550G08		
313	R61 407 651	Panel B		2		2		KD02B773H01		
314	R61 408 651	Panel B	BS		2	2		KS00R841G01		
315	R61 383 651	Panel L		1		1		KS02R320H02		
316	R61 384 651	Panel L	BS		1	1		KS00R822G01		
317	R61 409 651	Panel R		1		1		KD02B774H01		
318	R61 410 651	Panel R	BS		1	1		KS00R842G01		
319	R61 018 611	Fin guard		1		1		KD02B848H02		
320	R61 019 611	Fin guard	BS		1	1		KS00T209G02		
321	R61 024 611	Fin guard		1		1		KD02B851H02		
322	R61 025 611	Fin guard	BS		1	1		KS00T212G02		
323	R61 005 119	Bell mouth		2	2	2	2	KB25A367H04		
324	R11 003 009	Fan guard		2	2	2	2	KB25V019H04		
325	R61 009 669	Plate fanguard		8	8	8	8	KD02D205H03		
326	R61 040 140	Base fan		4		4		KS02B161H01		
327	R61 041 140	Base fan	BS		4	4		KS02B161G01		
328	R61 349 220	Motor	DC920 Y (RIGHT)	1	1	1	1	KMM00001B15		
329	R61 353 220	Motor	DC920 Y (LEFT)	1	1	1	1	KMM00001B16		
330	R61 047 114	Fan	700D	2	2	2	2	KB25A993H02		
331	R63 4H6 122	Box nut	M12 CH	2	2	2	2	P552000X01		
332	R63 014 087	Upset screw	M6 x 10	8	8	8	8	P516047X01		
333	R61 042 130	Attachment leg		4	4	4	4	KJ00F064G02		
334	R61 025 130	Attachment leg		2	2	2	2	KD02T774G01		
335	R63 006 087	WFT screw	M5 x 12(30pcs)	2	2	2	2	KB00H418G01	*7	
336	R63 029 087	WFT screw	M5 x 16(10pcs)	4	4	4	4	KD00H026G01	*8	
337	R61 048 087	H screw	M5 x 10 KNURLED(30pcs)	7	7	7	7	KB00H418G14	*9	



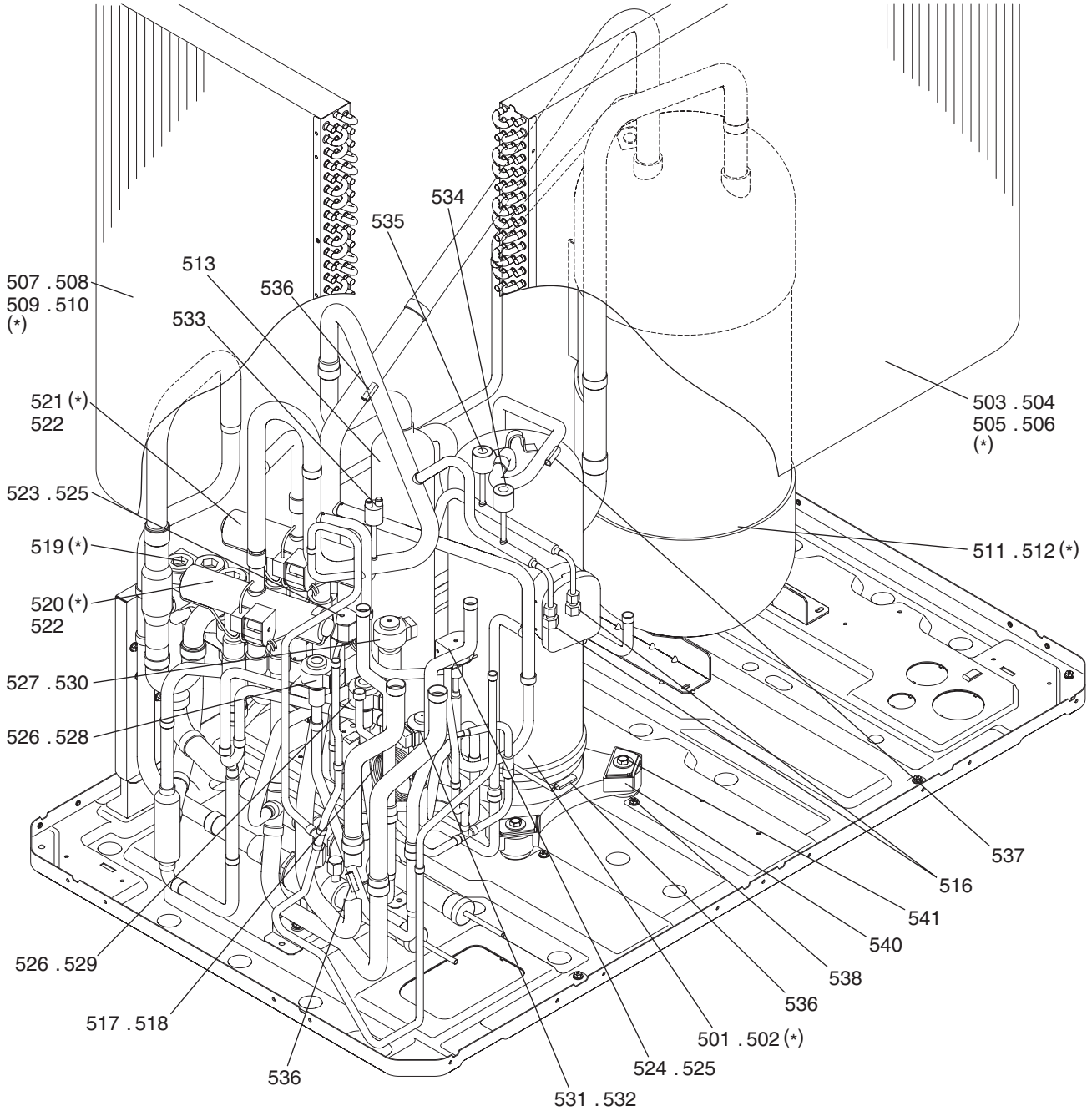
No.	Part No.	Part Name	Spec.	PURY-P500YNW-A2	PURY-P500YNW-A2-BS	PURY-P550YNW-A2	PURY-P550YNW-A2-BS	Dwg. No.	Notes for the models	Revision info.
351	R61 084 626	Pillar RF		1		1		KS00R542G11		
352	R61 085 626	Pillar RF	BS		1		1	KS00R542G12		
353	R61 086 626	Pillar RB		1		1		KS00R543G07		
354	R61 087 626	Pillar RB	BS		1		1	KS00R543G08		
355	R61 078 626	Pillar LF1		1		1		KS00L325G13		
356	R61 079 626	Pillar LF1	BS		1		1	KS00L325G14		
357	R61 045 626	Pillar RF		1		1		KS00L323G09		
358	R61 046 626	Pillar RF	BS		1		1	KS00L323G10		
359	R61 061 626	Pillar assy M		1		1		KL00G138G03		
360	R61 062 626	Pillar assy M	BS		1		1	KS00R664G07		
361	R61 140 162	Frame assy FB		1		1		KL00G722G03		
362	R61 141 162	Frame assy FB	BS		1		1	KL00G722G04		
363	R61 171 162	Frame assy LR		1		1		KS00L332G15		
364	R61 172 162	Frame assy LR	BS		1		1	KS00L332G16		
365	R61 173 162	Frame assy R		1		1		KS00R546G11		
366	R61 174 162	Frame assy R	BS		1		1	KS00R546G12		
367	R61 162 162	Frame assy C		1		1		KJ00K843G01		
368	R61 163 162	Frame assy C	BS		1		1	KJ00K843G02		
369	R61 022 642	Plate top assy		1		1		KS00R548G11		
370	R61 023 642	Plate top assy	BS		1		1	KS00R548G12		
371	R61 007 670	Support HEX assy 1		2	2	2	2	KS00L613G03		
372	R61 009 670	Support HEX assy 2		1	1	1	1	KS00R553G03		
373	R61 010 670	Support HEX assy MBT		1	1	1	1	KB25Y194H01		
374	R61 011 670	Support HEX assy MBB		1	1	1	1	KL00C299G04		
375	R61 411 651	Inner panel assy R		1	1	1	1	KS00T452G11		
376	R61 388 651	Inner panel assy L		1	1	1	1	KS00L615G12		
377	R61 412 651	Inner panel assy B		2	2	2	2	KS00T453G11		
378	R61 207 529	Drain pan front L		1	1	1	1	KB25Y192H02		
379	R61 197 529	Drain pan assy FR		1	1	1	1	KB00C0YSG01		
380	R61 272 690	DEF cover		1	1	1	1	KL33C263G04		
381	R61 144 162	Frame assy F		1		1		KL00G729G03		
382	R61 145 162	Frame assy F	BS		1		1	KL00G729G04		



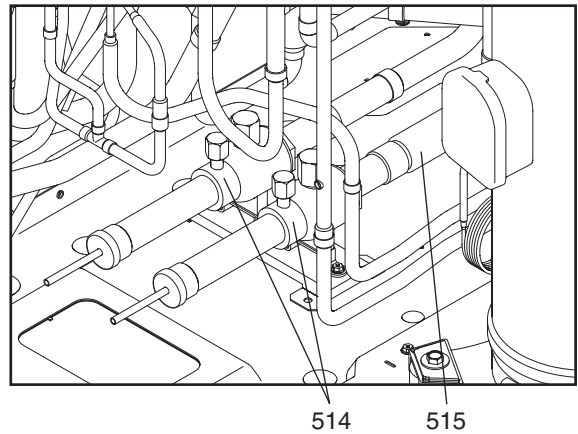
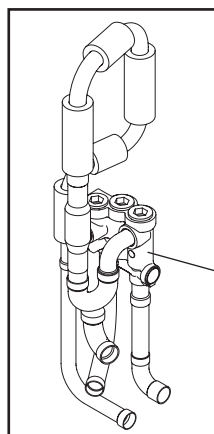
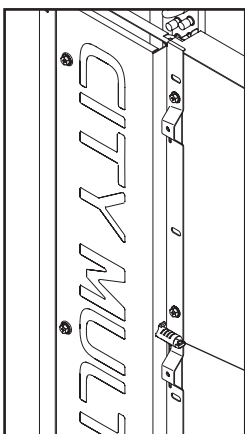
* with instructions



No.	Part No.	Part Name	Spec.	PURY-P200YNW-A2	PURY-P200YNW-A2-BS	PURY-P250YNW-A2	PURY-P250YNW-A2-BS	PURY-P300YNW-A2	PURY-P300YNW-A2-BS	Dwg. No.	Notes for the models	Revision info.
401	R69 163 478	Scroll compressor SP kit	ENB62FD-YEH	1	1					EP10132B16	*	
402	R69 187 478	Scroll compressor SP kit	HNS51FA-YE			1	1			EP10155B01	*	
403	R69 165 478	Scroll compressor SP kit	HNS68FA-YE					1	1	EP10157B01	*	
404	R61 G47 480	Heat exchanger SP kit	2L F	1		1		1		KJ00K921G03	*	
405	R61 G54 480	Heat exchanger SP kit	2L F BS		1		1		1	KJ00K921G04	*	
406	R61 G55 480	Heat exchanger SP kit	2L R	1		1		1		KJ00K922G03	*	
407	R61 G57 480	Heat exchanger SP kit	2L R BS		1		1		1	KJ00K922G04	*	
408	R61 176 484	Accumulator assy SP kit		1		1		1		KS00D242G26	*	
409	R61 177 484	Accumulator assy SP kit	BS		1		1		1	KS00D242G27	*	
410	R61 059 487	Oil separator assy		1	1					KL00L263G01		
411	R61 060 487	Oil separator assy				1	1	1	1	KL00L207G01		
412	R61 028 410	Ball valve	FQ-115-DN25	1	1	1	1	1	1	KJ00P917G01	<BV1>	
413	R61 029 410	Valve	FQ-115-DN20	1	1	1	1	1	1	KJ00P917G02	<BV2>	
414	R61 015 454	Strainer	28.6D-25.4D	1	1	1	1	1	1	P641144X01	<ST1>	
415	R61 007 413	Check joint L	TCJ-2GME-5	2	2	2	2	2	2	KR50C388H01	<CJ1,2>	
416	R63 002 425	Capillary tube assy		1	1	1	1			KB49F229G01	<CP1>	
417	R63 R34 425	Capillary tube assy						1	1	W905625G02	<CP1>	
418	R61 093 418	CV block SP kit		1	1	1	1	1	1	KS00D243G01	<CV BLOCK,CV5a>*	
419	R61 018 403	Four way valve A SP kit		1	1	1	1	1	1	KS00D244G01	<21S4a>*	
420	R61 019 403	Four way valve B SP kit		1	1	1	1	1	1	KS00D244G02	<21S4b>*	
421	R61 016 242	Four way valve coil	SQ-A2122G-005025-RK	1	1	1	1	1	1	P472115X02	<21S4a>	
422	R61 021 242	Four way valve coil	STF-H01AJ2355A1	1	1	1	1	1	1	P472118X01	<21S4b>	
423	R63 046 232	Solenoid valve	FDF2A77	1	1	1	1	1	1	P631312X01	<SV1a>	
424	R13 018 921	Solenoid valve	FDF4A-016-RK	1	1	1	1	1	1	P631311X01	<SV2>	
425	R61 055 243	Solenoid valve coil	FQ-A0122G-0015724	2	2	2	2	2	2	P472116X01	<SV1a,2>	
426	R61 107 401	Linear expansion valve	PAM-BB0YGMD-2	3	3	3	3	3	3	KR50C486H01	<LEV2a,2b,2d>	
427	R61 142 401	Linear expansion valve coil	PAM-MD12MD-17	1	1	1	1	1	1	P472109X01	<LEV2a>	
428	R61 143 401	Linear expansion valve coil	PAM-MD12MD-18	1	1	1	1	1	1	P472110X01	<LEV2b>	
429	R61 146 401	Linear expansion valve coil	PAM-MD12MD-25	1	1	1	1	1	1	KR50C487H01	<LEV2d>	
430	R63 R34 401	Linear expansion valve	CAM-B35YGMD-2	1	1	1	1	1	1	P632416X01	<LEV9>	
431	R61 111 401	Linear expansion valve coil	CAM-MD12MD-125	1	1	1	1	1	1	P472113X01	<LEV9>	
432	R61 052 208	Pressure switch	ACB-1UB179W	1	1	1	1	1	1	P426346X01	<63H>	
433	R61 137 288	Pressure sensor	NSK-BH042D-501	1	1	1	1	1	1	KB00H904G30	<63HS>	
434	R61 097 288	Pressure sensor	NSK-BH017D-602	1	1	1	1	1	1	KB00H904G31	<63LS>	
435	R61 280 200	Thermistor	PXM-41E-M105-01Y	4	4	4	4	4	4	P418144X01	<TH3,5,7,15>	
436	R61 294 200	Thermistor	PX2M-56D-M2	1	1	1	1	1	1	P418110X01	<TH4>	
437	R63 852 860	Rubber mount		4	4	4	4	4	4	W897574H01	For compressor	
438	R61 001 310	Sensor holder		1	1	1	1	1	1	KB25B471G02		
439	R61 027 155	Attachment (HH)		2	2	2	2	2	2	KJ00F713G04		
440	R61 009 306	Bolt	M6	4	4	4	4	4	4	KJ12F711H05		



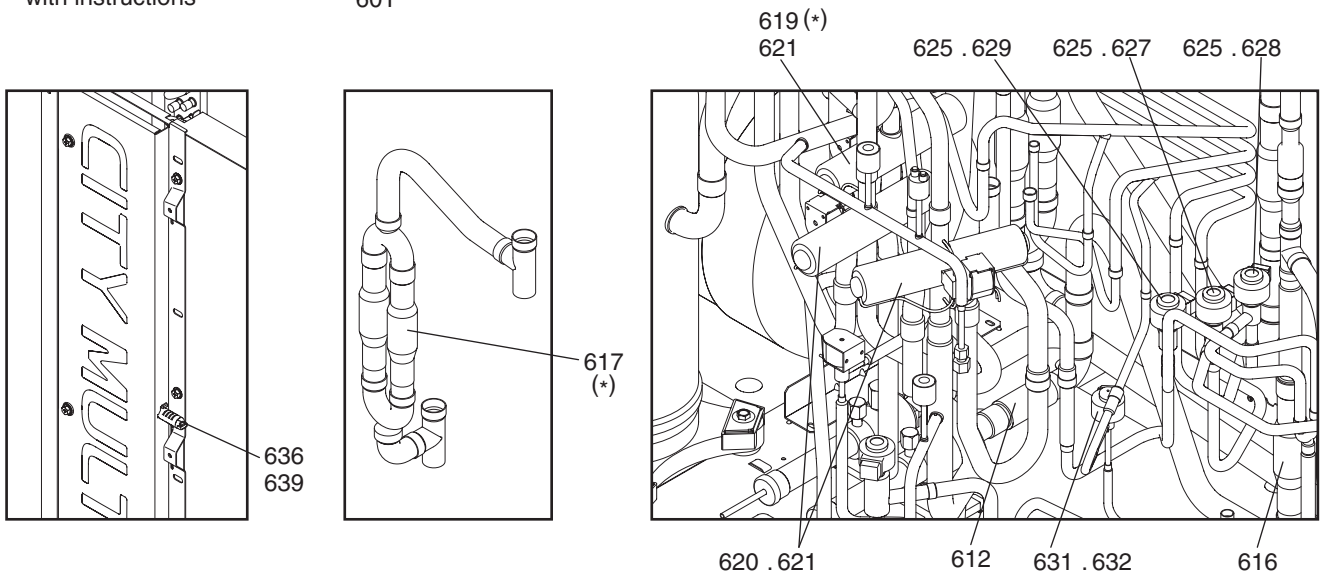
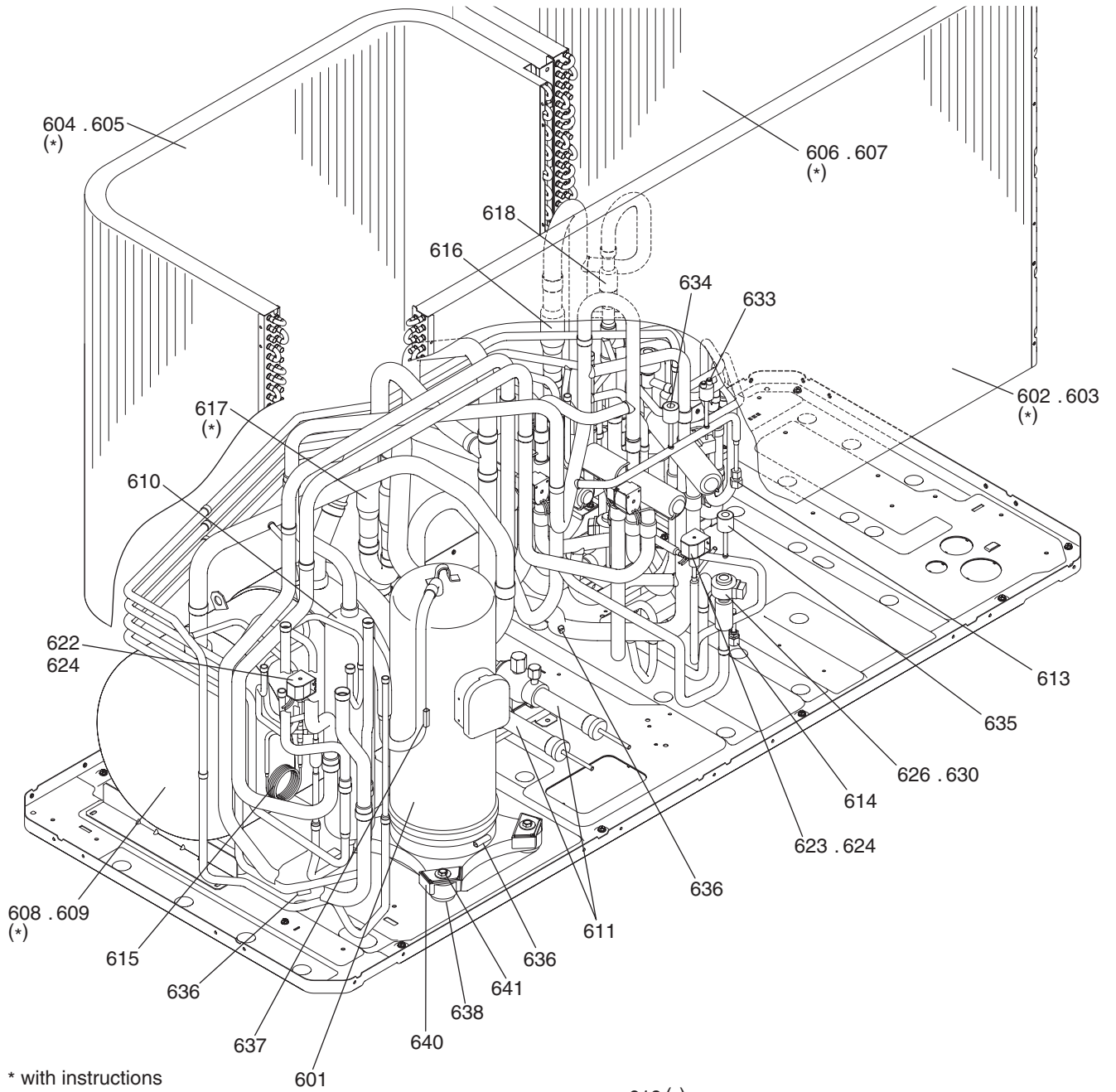
* with instructions



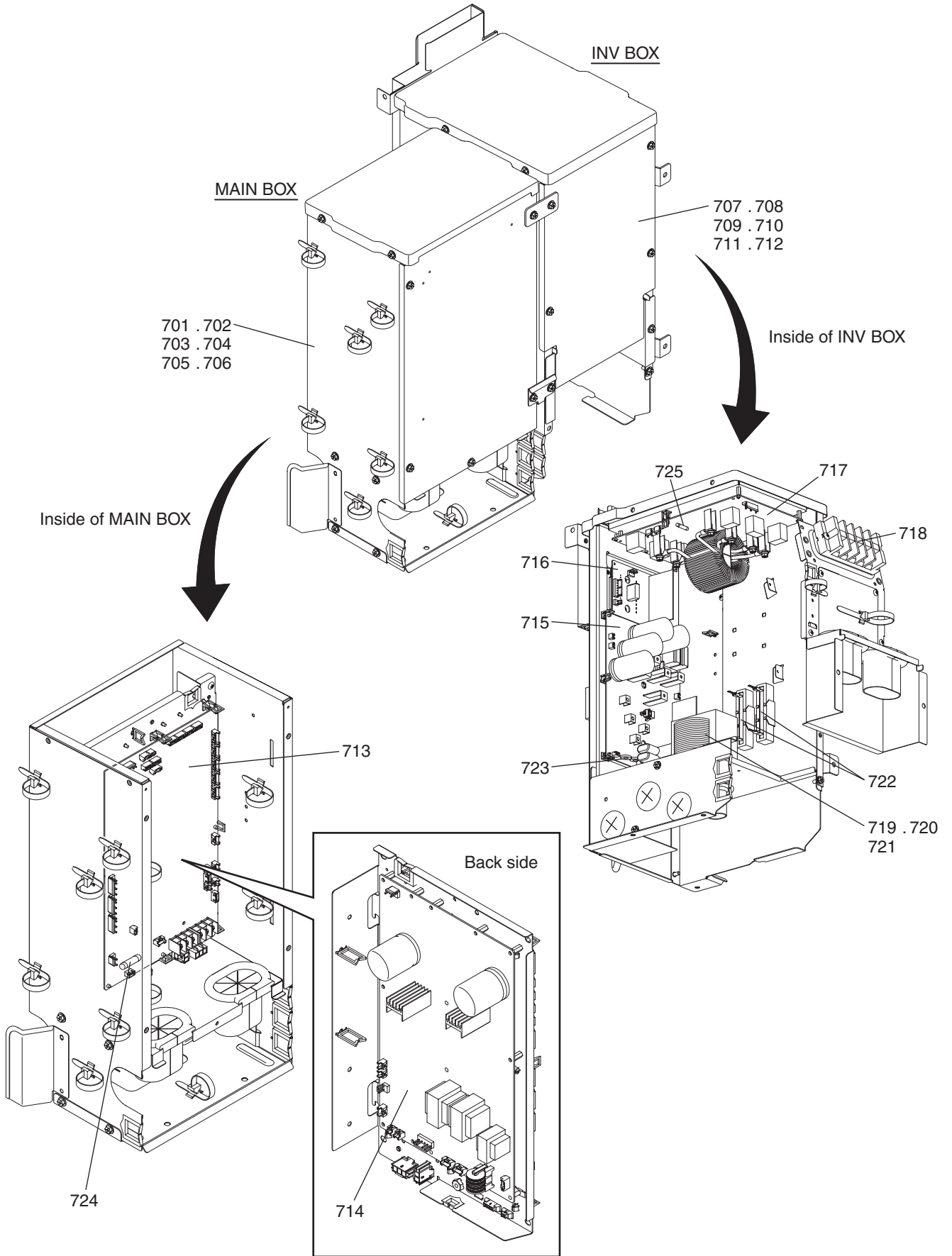
PURY-P350,P400,P450YNW-A2
PURY-P350,P400,P450YNW-A2-BS

FUNCTIONAL PARTS (2)

No.	Part No.	Part Name	Spec.	PURY-P350YNW-A2	PURY-P350YNW-A2-BS	PURY-P400YNW-A2	PURY-P400YNW-A2-BS	PURY-P450YNW-A2	PURY-P450YNW-A2-BS	Dwg. No.	Notes for the models	Revision info.
501	R69 165 478	Scroll compressor SP kit	HNS68FA-YE	1	1					EP10157B01	*	
502	R69 188 478	Scroll compressor SP kit	HNB84FE-YE			1	1	1	1	EP10126B07	*	
503	R61 G09 480	Heat exchanger SP kit	2L F	1		1				KJ00H791G01	*	
504	R61 H46 480	Heat exchanger SP kit	2L F BS		1		1			KJ00H791G02	*	
505	R61 G34 480	Heat exchanger SP kit	3L F					1		KJ00H793G01	*	
506	R61 H48 480	Heat exchanger SP kit	3L F BS						1	KJ00H793G02	*	
507	R61 G31 480	Heat exchanger SP kit	2L R	1		1				KJ00H792G01	*	
508	R61 H47 480	Heat exchanger SP kit	2L R BS		1		1			KJ00H792G02	*	
509	R61 G37 480	Heat exchanger SP kit	3L R					1		KJ00H794G01	*	
510	R61 H49 480	Heat exchanger SP kit	3L R BS						1	KJ00H794G02	*	
511	R61 178 484	Accumulator assy SP kit		1		1		1		KS00D242G28	*	
512	R61 179 484	Accumulator assy SP kit	BS		1		1		1	KS00D242G29	*	
513	R61 061 487	Oil separator assy		1	1	1	1	1	1	KL00L287G01		
514	R61 028 410	Ball valve	FQ-115-DN25	2	2	2	2	2	2	KJ00P917G01	<BV1,2>	
515	R61 015 454	Strainer	28.6D-25.4D	1	1	1	1	1	1	P641144X01	<ST1>	
516	R61 007 413	Check joint L	TCJ-2GME-5	2	2	2	2	2	2	KR50C388H01	<CJ1,2>	
517	R63 R34 425	Capillary tube assy		1	1					W905625G02	<CP1>	
518	R61 014 425	Capillary tube assy				1	1	1	1	KB49M503G01	<CP1>	
519	R61 092 418	CV block SP kit		1	1	1	1	1	1	KS00D243G02	<CV BLOCK,CV5a>*	
520	R61 020 403	Four way valve A SP kit		1	1	1	1	1	1	KS00D244G03	<21S4a>*	
521	R61 021 403	Four way valve B SP kit		1	1	1	1	1	1	KS00D244G04	<21S4b>*	
522	R61 016 242	Four way valve coil	SQ-A2122G-005025-RK	2	2	2	2	2	2	P472115X02	<21S4a,4b>	
523	R63 046 232	Solenoid valve	FDF2A77	1	1	1	1	1	1	P631312X01	<SV1a>	
524	R13 018 921	Solenoid valve	FDF4A-016-RK	1	1	1	1	1	1	P631311X01	<SV2>	
525	R61 055 243	Solenoid valve coil	FQ-A0122G-0015724	2	2	2	2	2	2	P472116X01	<SV1a,2>	
526	R61 107 401	Linear expansion valve	PAM-BB0YGMD-2	2	2	2	2	2	2	KR50C486H01	<LEV2a,2b>	
527	R61 112 401	Linear expansion valve	PDM-BD130MD-1	1	1	1	1	1	1	P632630X01	<LEV2d>	
528	R61 142 401	Linear expansion valve coil	PAM-MD12MD-17	1	1	1	1	1	1	P472109X01	<LEV2a>	
529	R61 143 401	Linear expansion valve coil	PAM-MD12MD-18	1	1	1	1	1	1	P472110X01	<LEV2b>	
530	R61 145 401	Linear expansion valve coil	PAM-MD12MD-20	1	1	1	1	1	1	P472112X01	<LEV2d>	
531	R63 R34 401	Linear expansion valve	CAM-B35YGMD-2	1	1	1	1	1	1	P632416X01	<LEV9>	
532	R61 111 401	Linear expansion valve coil	CAM-MD12MD-125	1	1	1	1	1	1	P472113X01	<LEV9>	
533	R61 052 208	Pressure switch	ACB-1UB179W	1	1	1	1	1	1	P426346X01	<63H>	
534	R61 098 288	Pressure sensor	NSK-BH042D-501	1	1	1	1	1	1	KB00H904G32	<63HS>	
535	R61 138 288	Pressure sensor	NSK-BH017D-602	1	1	1	1	1	1	KB00H904G33	<63LS>	
536	R61 280 200	Thermistor	PXM-41E-M105-01Y	4	4	4	4	4	4	P418144X01	<TH3,5,7,15>	
537	R61 294 200	Thermistor	PX2M-56D-M2	1	1	1	1	1	1	P418110X01	<TH4>	
538	R63 852 860	Rubber mount		4	4	4	4	4	4	W897574H01	For compressor	
539	R61 001 310	Sensor holder		1	1	1	1	1	1	KB25B471G02		
540	R61 027 155	Attachment (HH)		2	2	2	2	2	2	KJ00F713G04		
541	R61 009 306	Bolt	M6	4	4	4	4	4	4	KJ12F711H05		

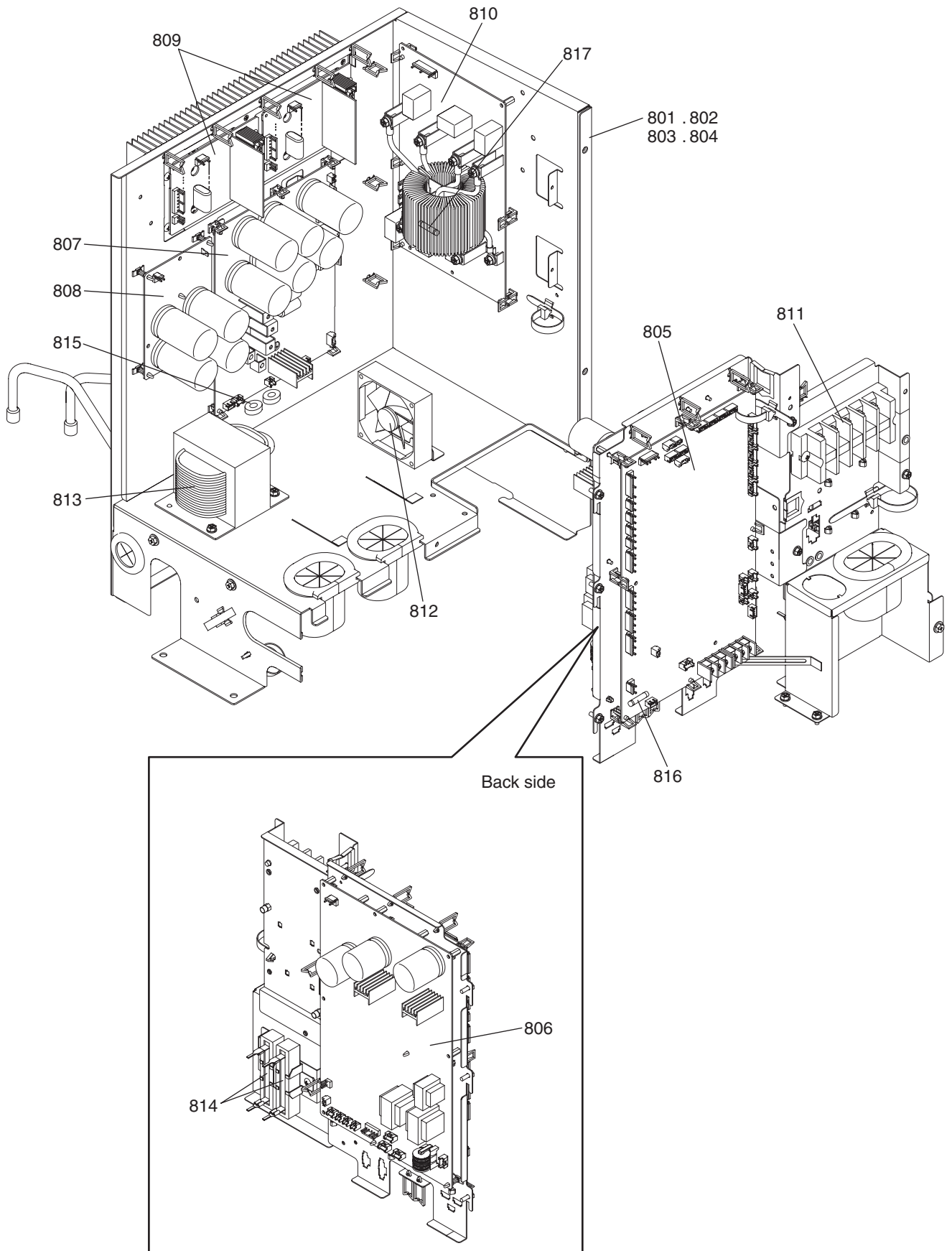


No.	Part No.	Part Name	Spec.					Dwg. No.	Notes for the models	Revision info.
				PURY-P500YNW-A2	PURY-P500YNW-A2-BS	PURY-P550YNW-A2	PURY-P550YNW-A2-BS			
601	R69 171 478	Scroll compressor	HNB97FB-YE	1	1	1	1	EP10148B04		
602	R61 G08 480	Heat exchanger SP kit	2L F	1		1		KJ00H795G01	*	
603	R61 H50 480	Heat exchanger SP kit	2L F BS		1		1	KJ00H795G02	*	
604	R61 G12 480	Heat exchanger SP kit	2L L	1		1		KJ00H796G01	*	
605	R61 H52 480	Heat exchanger SP kit	2L L BS		1		1	KJ00H796G02	*	
606	R61 G13 480	Heat exchanger SP kit	2L R	1		1		KJ00H797G01	*	
607	R61 K79 480	Heat exchanger SP kit	2L R BS		1		1	KJ00H797G02	*	
608	R61 180 484	Accumulator assy SP kit		1		1		KS00D242G30	*	
609	R61 181 484	Accumulator assy SP kit	BS		1		1	KS00D242G31	*	
610	R61 062 487	Oil separator assy		1	1	1	1	KL00L164G01		
611	R61 028 410	Ball valve	FQ-115-DN25	2	2	2	2	KJ00P917G01	<BV1,2>	
612	R61 016 454	Strainer	28.6D-28.8D	1	1	1	1	P641146X01	<ST1>	
613	R61 008 413	Check joint	TCJ-2GME-4	1	1	1	1	KR50C379H01	<CJ1>	
614	R63 R34 413	Check joint L	R410A	1	1	1	1	P666004X02	<CJ2>	
615	R63 R55 425	Capillary tube assy		1	1	1	1	W905191G02	<CP1>	
616	R61 065 418	Check valve	YBV-22Y9GMD-4	2	2	2	2	P639196X01	<CV3a,5a>	
617	R61 091 418	CV assy SP kit		1	1	1	1	KS00D243G04	<CV2a,2b>*	
618	R61 019 418	Check valve	UCV-A1507DQ4	1	1	1	1	P633135X01	<CV6a>	
619	R61 022 403	Four way valve A SP kit		1	1	1	1	KS00D244G05	<21S4a>*	
620	R61 013 403	Four way valve	STF-H0731	2	2	2	2	P633130X01	<21S4b,4c>	
621	R61 021 242	Four way valve coil	STF-H01AJ2355A1	3	3	3	3	P472118X01	<21S4a,4b,4c>	
622	R63 046 232	Solenoid valve	FDF2A77	1	1	1	1	P631312X01	<SV1a>	
623	R13 018 921	Solenoid valve	FDF4A-016-RK	1	1	1	1	P631311X01	<SV2>	
624	R61 055 243	Solenoid valve coil	FQ-A0122G-0015724	2	2	2	2	P472116X01	<SV1a,2>	
625	R61 107 401	Linear expansion valve	PAM-BB0YGMD-2	3	3	3	3	KR50C486H01	<LEV2a,2b,2c>	
626	R61 112 401	Linear expansion valve	PDM-BD130MD-1	1	1	1	1	P632630X01	<LEV2d>	
627	R61 142 401	Linear expansion valve coil	PAM-MD12MD-17	1	1	1	1	P472109X01	<LEV2a>	
628	R61 143 401	Linear expansion valve coil	PAM-MD12MD-18	1	1	1	1	P472110X01	<LEV2b>	
629	R61 144 401	Linear expansion valve coil	PAM-MD12MD-19	1	1	1	1	P472111X01	<LEV2c>	
630	R61 145 401	Linear expansion valve coil	PAM-MD12MD-20	1	1	1	1	P472112X01	<LEV2d>	
631	R63 R34 401	Linear expansion valve	CAM-B35YGMD-2	1	1	1	1	P632416X01	<LEV9>	
632	R61 111 401	Linear expansion valve coil	CAM-MD12MD-125	1	1	1	1	P472113X01	<LEV9>	
633	R61 052 208	Pressure switch	ACB-1UB179W	1	1	1	1	P426346X01	<63H>	
634	R61 139 288	Pressure sensor	NSK-BH042D-501	1	1	1	1	KB00H904G34	<63HS>	
635	R61 140 288	Pressure sensor	NSK-BH017D-602	1	1	1	1	KB00H904G35	<63LS>	
636	R61 280 200	Thermistor	PXM-41E-M105-01Y	4	4	4	4	P418144X01	<TH3,5,7,15>	
637	R61 294 200	Thermistor	PX2M-56D-M2	1	1	1	1	P418110X01	<TH4>	
638	R63 852 860	Rubber mount		4	4	4	4	W897574H01	For compressor	
639	R61 001 310	Sensor holder		1	1	1	1	KB25B471G02		
640	R61 027 155	Attachment (HH)		4	4	4	4	KJ00F713G04		
641	R61 009 306	Bolt	M6	4	4	4	4	KJ12F711H05		

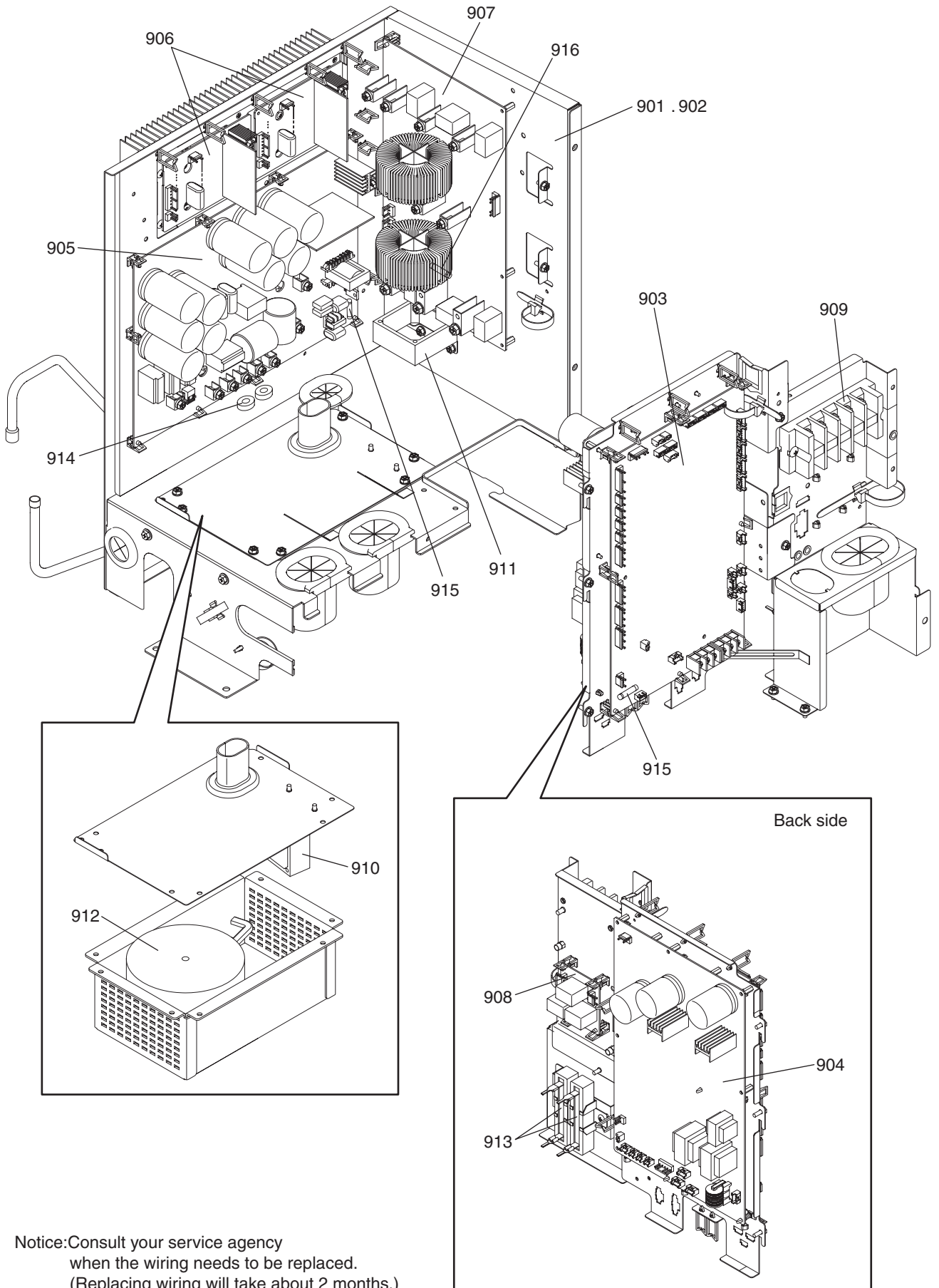


Notice: Consult your service agency when the wiring needs to be replaced.
 (Replacing wiring will take about 2 months.)

No.	Part No.	Part Name	Spec.	PURY-P200YNW-A2	PURY-P200YNW-A2-BS	PURY-P250YNW-A2	PURY-P250YNW-A2-BS	PURY-P300YNW-A2	PURY-P300YNW-A2-BS	Dwg. No.	Notes for the models	Revision info.
701	R61 G74 305	Control box	R-P200	1						KE00J169G99	<MAIN BOX>	
702	R61 G75 305	Control box	R-P200 BS		1					KE00J169GA0	<MAIN BOX>	
703	R61 G76 305	Control box	R-P250			1				KE00J169GA1	<MAIN BOX>	
704	R61 G77 305	Control box	R-P250 BS				1			KE00J169GA2	<MAIN BOX>	
705	R61 G78 305	Control box	R-P300					1		KE00J169GA3	<MAIN BOX>	
706	R61 G79 305	Control box	R-P300 BS						1	KE00J169GA4	<MAIN BOX>	
707	R61 A31 305	Control box	R-P200	1						KE00J170G25	<INV BOX>	
708	R61 A32 305	Control box	R-P200 BS		1					KE00J170G26	<INV BOX>	
709	R61 A33 305	Control box	R-P250			1				KE00J170G27	<INV BOX>	
710	R61 A34 305	Control box	R-P250 BS				1			KE00J170G28	<INV BOX>	
711	R61 A35 305	Control box	R-P300					1		KE00J170G29	<INV BOX>	
712	R61 A36 305	Control box	R-P300 BS						1	KE00J170G30	<INV BOX>	
713	R61 769 280	Control board		1	1	1	1	1	1	KE80G597G07	<MAIN12>	
714	R61 618 280	PS board		1	1	1	1	1	1	KE80G590G04	<PS02>	
715	R61 747 280	INV board		1	1	1	1	1	1	KE80G592G12	<INV35Y>	
716	R61 620 280	Fan board		1	1	1	1	1	1	KE80G738G04	<INV/S19Y>	
717	R61 054 293	Noise filter		1	1	1	1	1	1	KE80G598G03	<Noise filter>	
718	R61 007 246	Terminal block		1	1	1	1	1	1	S436005H12	<TB1>	
719	R61 073 259	Reactor		1	1					KR65C399H02	<DCL>	
720	R61 084 259	Reactor				1	1			KR65C400H03	<DCL>	
721	R61 085 259	Reactor						1	1	KR65C401H03	<DCL>	
722	R61 001 234	Resistor		2	2	2	2	2	2	P411151X01	<R1,5>	
723	R61 015 287	AC Current sensor		1	1	1	1	1	1	P418087X01	<ACCT1,2>	
724	R61 018 239	Fuse	3.15A AC250V T	1	1	1	1	1	1	YE81D827H02		
725	R61 006 239	Fuse	6.3A AC250V T	1	1	1	1	1	1	S423001H42		



Notice: Consult your service agency when the wiring needs to be replaced.
 (Replacing wiring will take about 2 months.)



Notice: Consult your service agency when the wiring needs to be replaced. (Replacing wiring will take about 2 months.)

mitsubishi
electric
corporation

BWE022060 (20220630)