

# SERVICE PARTS LIST FOR MITSUBISHI ELECTRIC PACKAGED AIR-CONDITIONERS

Series : SFZ-M•VA(-ET).TH

REVISED

May 2022

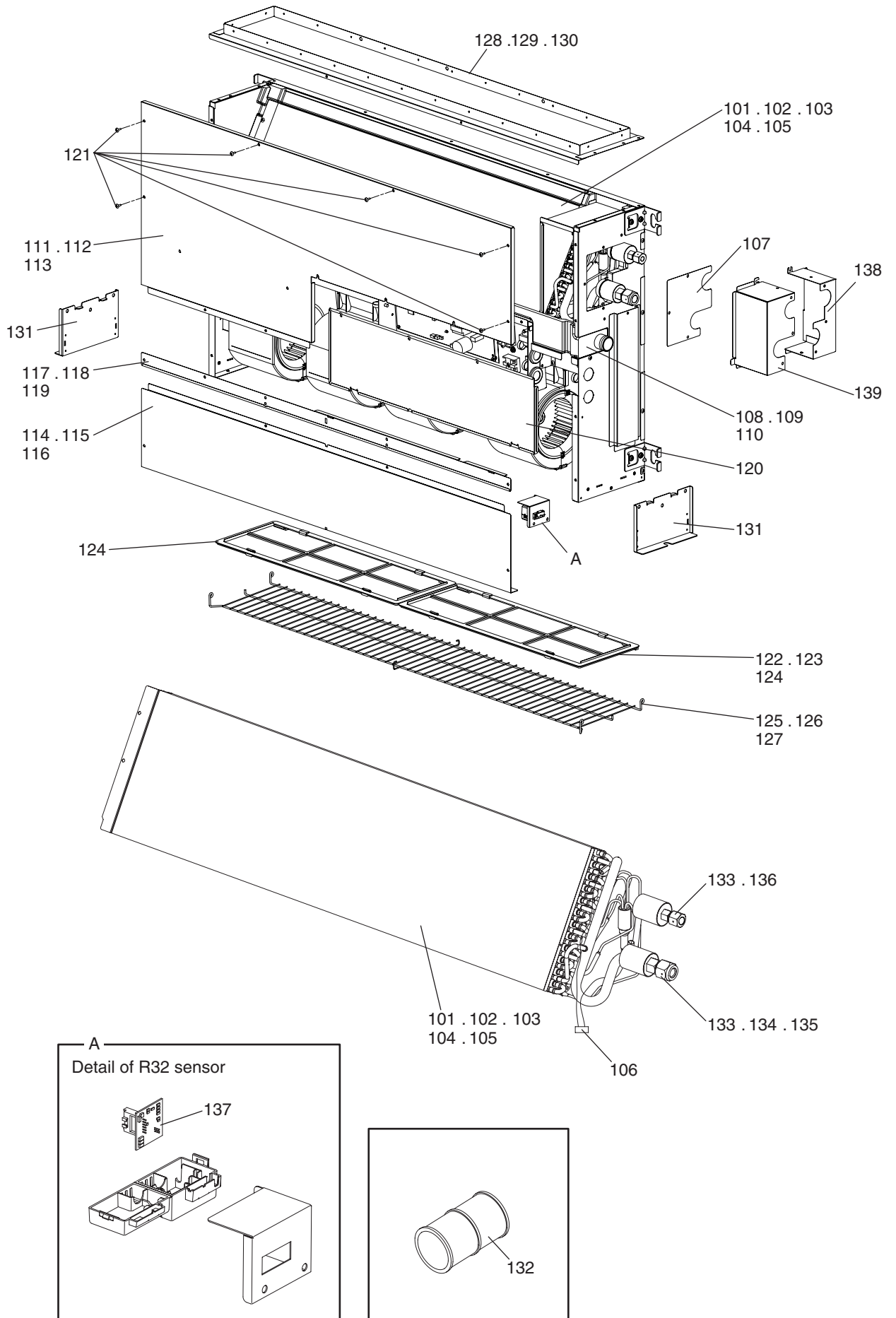
BWE01921A

INDEX
SFZ-M25VA.TH
SFZ-M35VA.TH
SFZ-M50VA.TH
SFZ-M60VA.TH
SFZ-M71VA.TH
SFZ-M25VA-ET.TH
SFZ-M35VA-ET.TH
SFZ-M50VA-ET.TH
SFZ-M60VA-ET.TH
SFZ-M71VA-ET.TH

Part information update day : 2022/05/12

Please change the old catalog (issued Dec. 2019, No.BWE019210) to this new catalog.  
Content of revision : Some of parts are changed.





SFZ-M25,M35,M50,M60,M71VA.TH  
 SFZ-M25,M35,M50,M60,M71VA-ET.TH

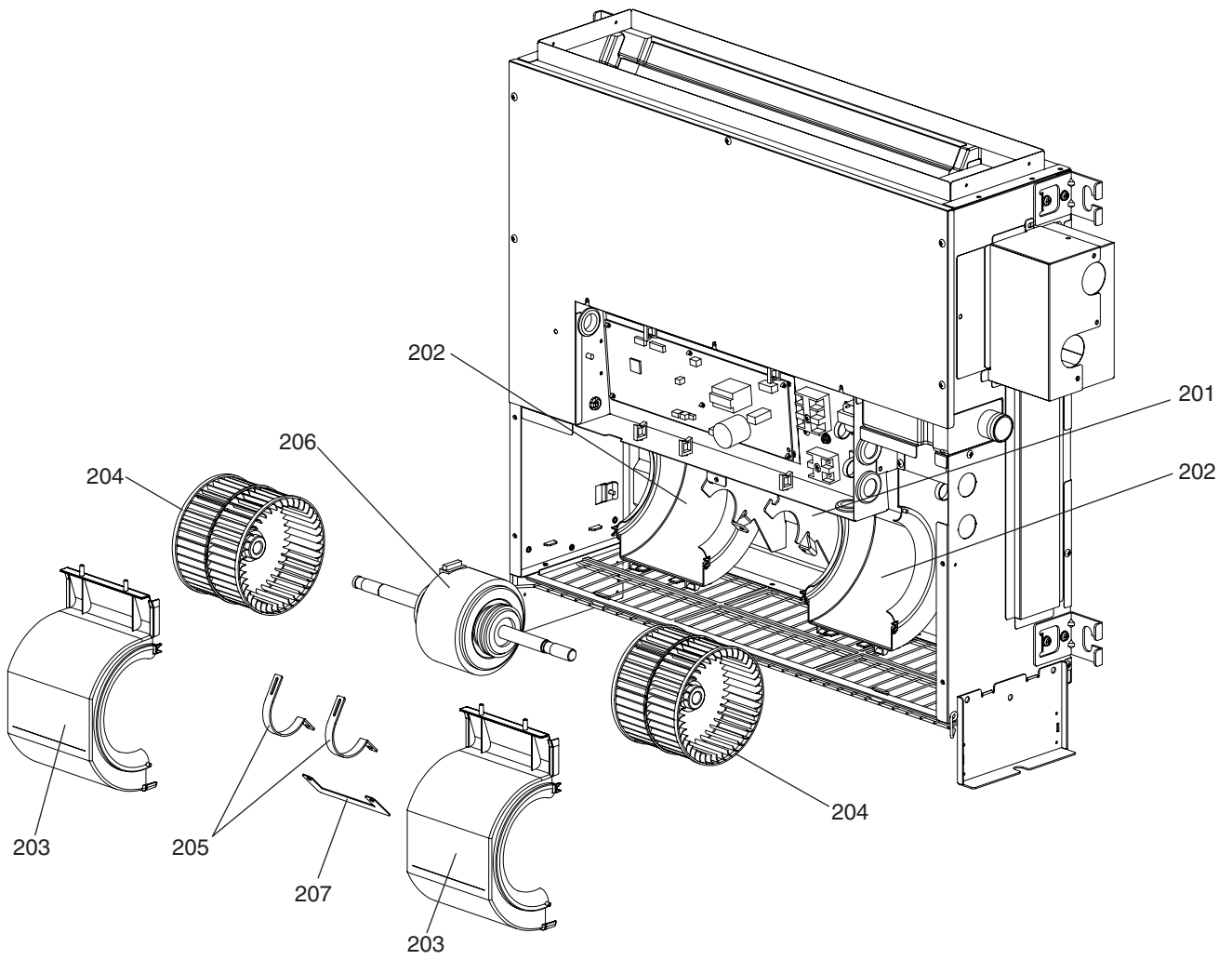
EXTERNAL PARTS

No.	Part No.	Part Name	Spec.	SFZ-M25VA.TH	SFZ-M35VA.TH	SFZ-M50VA.TH	SFZ-M60VA.TH	SFZ-M71VA.TH	SFZ-M25VA-ET.TH	Dwg. No.	Notes for the models	Revision info.
101	E27 Y80 620	HEAT EXCHANGER		1					1	VQ00A359B01		
102	E27 Y81 620	HEAT EXCHANGER			1					VQ00A360B01		
103	E27 Y82 620	HEAT EXCHANGER				1				VQ00A360B02		
104	E27 Y83 620	HEAT EXCHANGER					1			VQ00A361B01		
105	E27 Y84 620	HEAT EXCHANGER						1		VQ00A361B02		
106	E27 P45 307	THERMISTOR		1	1	1	1	1	1	RG71V202G04		
107	E27 P45 690	COVER PIPE INS		1	1	1	1	1	1	VR00C427G02		
108	E27 P45 700	DRAIN PAN S INS		1					1	VR00B114G13		Chg.
109	E27 P48 700	DRAIN PAN M INS			1	1				VR00B114G14		Chg.
110	E27 P50 700	DRAIN PAN L INS					1	1		VR00B114G15		Chg.
111	E27 P45 232	PANEL F T S INS		1					1	VR00B115G07		
112	E27 P48 232	PANEL F T M INS			1	1				VR00B115G08		
113	E27 P50 232	PANEL F T L INS					1	1		VR00B115G09		
114	E27 P40 232	PANEL F B S		1					1	VR02B100G02		Chg.
115	E27 P43 232	PANEL F B M			1	1				VR02B101G02		Chg.
116	E27 P44 232	PANEL F B L					1	1		VR02B102G02		Chg.
117	E27 P45 648	SUPPORT PANEL F S		1					1	VR02C380G02		Chg.
118	E27 P48 648	SUPPORT PANEL F M			1	1				VR02C381G02		Chg.
119	E27 P50 648	SUPPORT PANEL F L					1	1		VR02C382G03		Chg.
120	E27 Y80 449	COVER CONT.BOX INS		1	1	1	1	1	1	VR00C429G05		
121	E27 319 250	SCREW ADD. WORK DWG		5	5	5	6	6	5	KB12H389G01		
122	E27 319 100	FILTER	M25	1					1	KB35B272G02		
123	E27 320 100	FILTER	M35,M50		1	1				KB35B207G02		
124	E27 Y83 100	FILTER	M60,M71				2	2		VR00C624G01		Chg.
125	E27 P45 520	FAN GUARD S		1					1	VR00B107G04		
126	E27 P48 520	FAN GUARD M			1	1				VR00B106G03		
127	E27 P50 520	FAN GUARD L					1	1		VR00B105G03		
128	E27 P45 800	PANEL DUCT S INS		1					1	VR00C320G07		Chg.
129	E27 P48 800	PANEL DUCT M INS			1	1				VR00C320G08		Chg.
130	E27 P50 800	PANEL DUCT L INS					1	1		VR00C320G09		Chg.
131	E27 P45 808	LEG		2	2	2	2	2	2	KL02C727G01		
132	E27 580 704	SOCKET		1	1	1	1	1	1	BB25D449K01		
133	E27 K90 660	NUT FLARE	3/8(HOLE)	1	1			1	1	RG12F173K01		
134	E27 W36 660	NUT FLARE	1/2(HOLE)			1				RG12F246K01		
135	E27 K92 660	NUT FLARE	5/8(HOLE)				1	1		RG12F174K01		
136	E27 W37 660	NUT FLARE	1/4(HOLE)	1	1	1	1		1	DG12H158K01		Chg.
137	E27 Y80 391	R32 SENSOR		1	1	1	1	1	1	BH71N632S03		Chg.
138	E27 Y80 690	COVER REF 2		1	1	1	1	1	1	VR00D572G01		Add.
139	E27 Y81 690	COVER REF 3		1	1	1	1	1	1	VR00D573G02		Add.

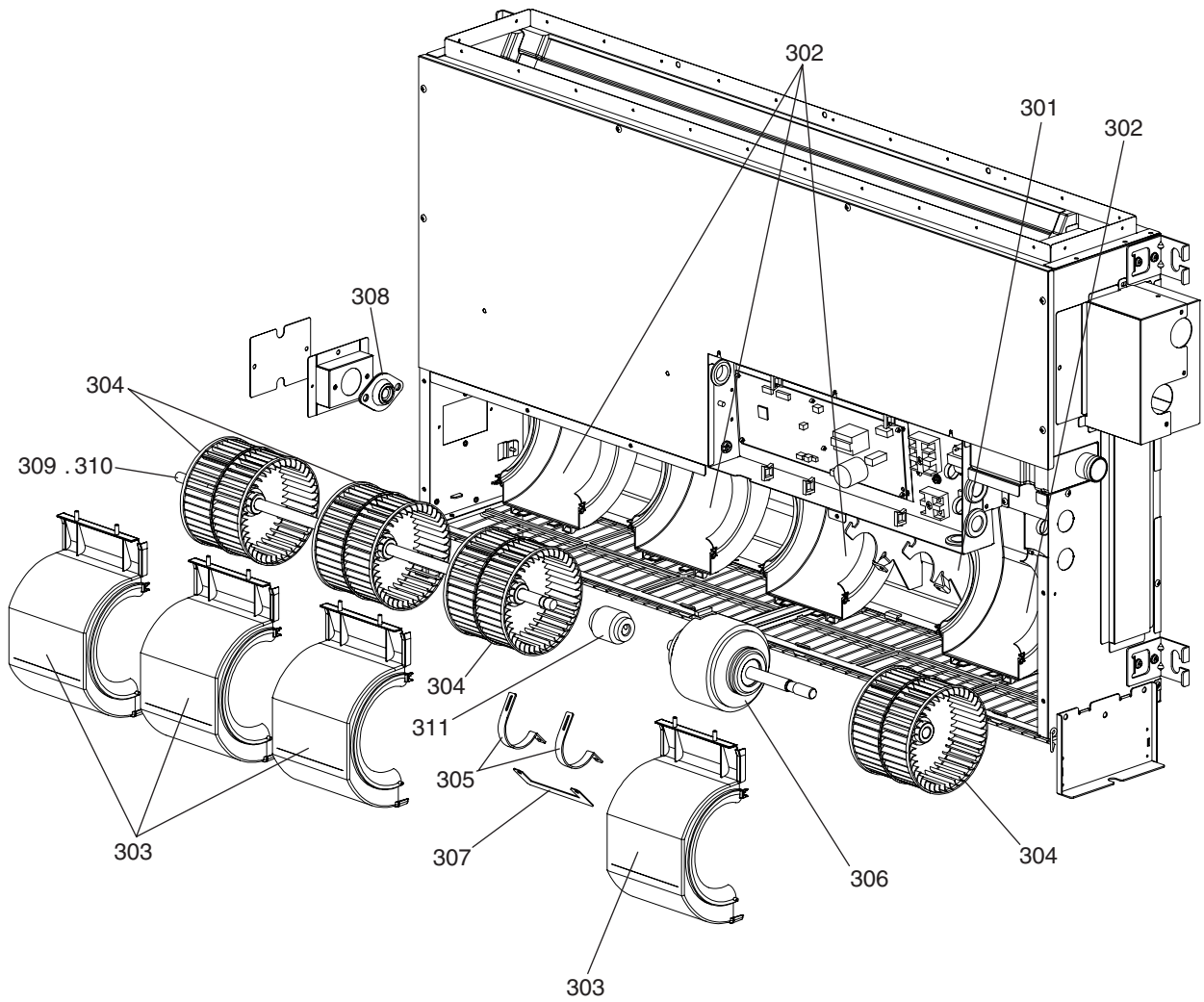
SFZ-M25,M35,M50,M60,M71VA.TH  
 SFZ-M25,M35,M50,M60,M71VA-ET.TH

EXTERNAL PARTS

No.	Part No.	Part Name	Spec.	SFZ-M25VA-ET.TH	SFZ-M35VA-ET.TH	SFZ-M50VA-ET.TH	SFZ-M60VA-ET.TH	SFZ-M71VA-ET.TH		Dwg. No.	Notes for the models	Revision info.
101	E27 Y80 620	HEAT EXCHANGER								VQ00A359B01		
102	E27 Y81 620	HEAT EXCHANGER		1						VQ00A360B01		
103	E27 Y82 620	HEAT EXCHANGER			1					VQ00A360B02		
104	E27 Y83 620	HEAT EXCHANGER				1				VQ00A361B01		
105	E27 Y84 620	HEAT EXCHANGER					1			VQ00A361B02		
106	E27 P45 307	THERMISTOR		1	1	1	1			RG71V202G04		
107	E27 P45 690	COVER PIPE INS		1	1	1	1			VR00C427G02		
108	E27 P45 700	DRAIN PAN S INS								VR00B114G13		Chg.
109	E27 P48 700	DRAIN PAN M INS		1	1					VR00B114G14		Chg.
110	E27 P50 700	DRAIN PAN L INS				1	1			VR00B114G15		Chg.
111	E27 P45 232	PANEL F T S INS								VR00B115G07		
112	E27 P48 232	PANEL F T M INS		1	1					VR00B115G08		
113	E27 P50 232	PANEL F T L INS				1	1			VR00B115G09		
114	E27 P40 232	PANEL F B S								VR02B100G02		Chg.
115	E27 P43 232	PANEL F B M		1	1					VR02B101G02		Chg.
116	E27 P44 232	PANEL F B L				1	1			VR02B102G02		Chg.
117	E27 P45 648	SUPPORT PANEL F S								VR02C380G02		Chg.
118	E27 P48 648	SUPPORT PANEL F M		1	1					VR02C381G02		Chg.
119	E27 P50 648	SUPPORT PANEL F L				1	1			VR02C382G03		Chg.
120	E27 Y80 449	COVER CONT.BOX INS		1	1	1	1			VR00C429G05		
121	E27 319 250	SCREW ADD. WORK DWG		5	5	6	6			KB12H389G01		
122	E27 319 100	FILTER	M25							KB35B272G02		
123	E27 320 100	FILTER	M35,M50	1	1					KB35B207G02		
124	E27 Y83 100	FILTER	M60,M71			2	2			VR00C624G01		Chg.
125	E27 P45 520	FAN GUARD S								VR00B107G04		
126	E27 P48 520	FAN GUARD M		1	1					VR00B106G03		
127	E27 P50 520	FAN GUARD L				1	1			VR00B105G03		
128	E27 P45 800	PANEL DUCT S INS								VR00C320G07		Chg.
129	E27 P48 800	PANEL DUCT M INS		1	1					VR00C320G08		Chg.
130	E27 P50 800	PANEL DUCT L INS				1	1			VR00C320G09		Chg.
131	E27 P45 808	LEG		2	2	2	2			KL02C727G01		
132	E27 580 704	SOCKET		1	1	1	1			BB25D449K01		
133	E27 K90 660	NUT FLARE	3/8(HOLE)	1			1			RG12F173K01		
134	E27 W36 660	NUT FLARE	1/2(HOLE)		1					RG12F246K01		
135	E27 K92 660	NUT FLARE	5/8(HOLE)			1	1			RG12F174K01		
136	E27 W37 660	NUT FLARE	1/4(HOLE)	1	1	1				DG12H158K01		Chg.
137	E27 Y80 391	R32 SENSOR		1	1	1	1			BH71N632S03		Chg.
138	E27 Y80 690	COVER REF 2		1	1	1	1			VR00D572G01		Add.
139	E27 Y81 690	COVER REF 3		1	1	1	1			VR00D573G02		Add.



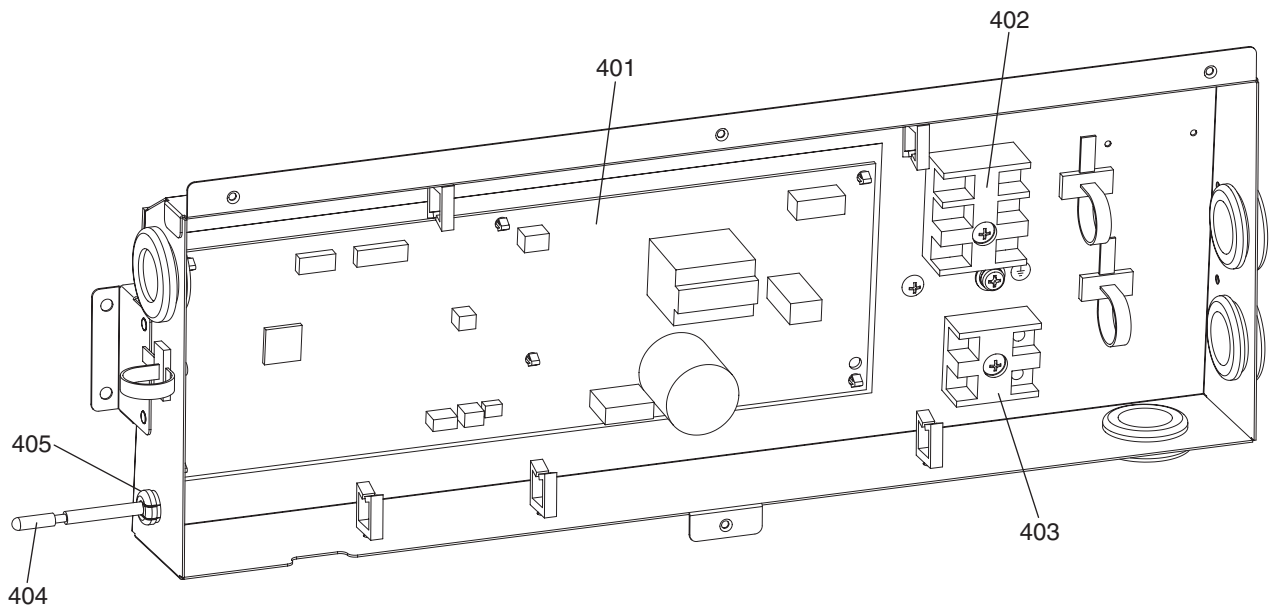




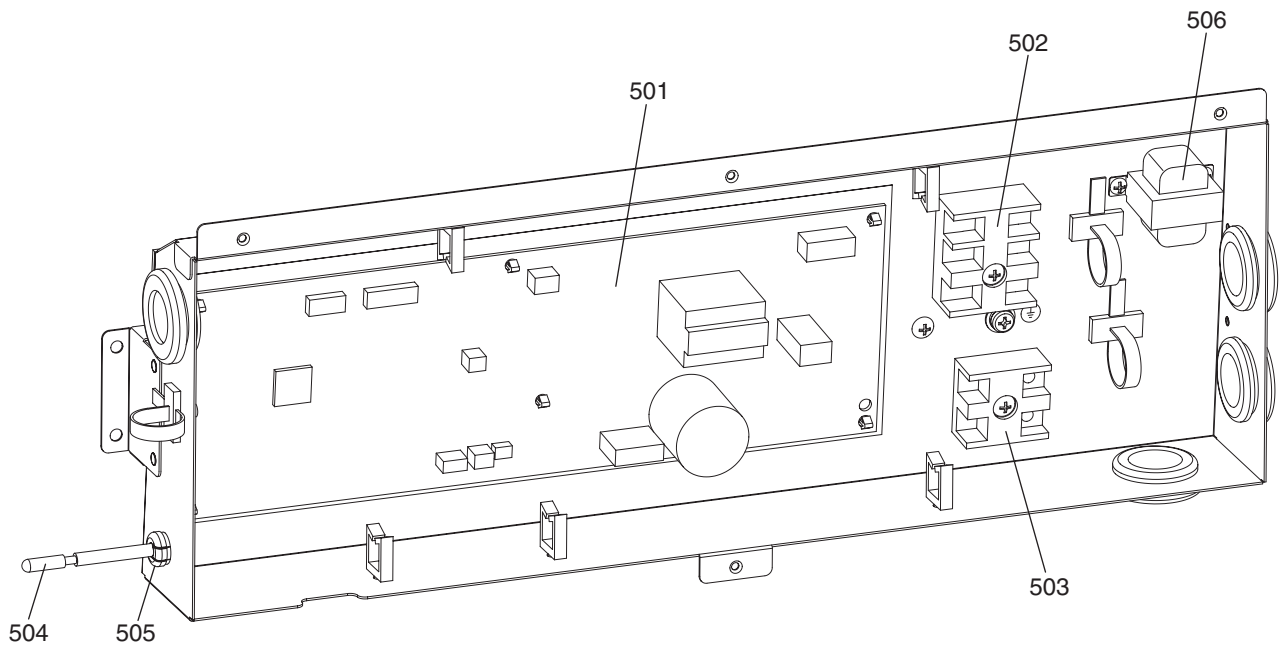
No.	Part No.	Part Name	Spec.	SFZ-M35VA.TH	SFZ-M50VA.TH	SFZ-M60VA.TH	SFZ-M71VA.TH	SFZ-M35VA-ET.TH	SFZ-M50VA-ET.TH	Dwg. No.	Notes for the models	Revision info.
301	E27 319 128	MOTOR BASE		1	1	1	1	1	1	KB02B464G02		
302	E27 319 129	FAN CASE A ASSY		3	3	4	4	3	3	KB00G773G05		Chg.
303	E27 P33 129	FAN CASE B ASSY		3	3	4	4	3	3	KB00G774G07		Chg.
304	E27 319 500	SIROCCO FAN ASSY		3	3	4	4	3	3	KB00H341G01		
305	E27 47G 534	ATTACHMENT		2	2	2	2	2	2	KB02H047G02		Chg.
306	E27 C46 300	MOTOR	D896-2E	1	1	1	1	1	1	KR61B219H01		
307	KB02U467G01	ATTACHMENT (M-LOCK)		1	1	1	1	1	1	KB02U467G01		
308	E27 321 509	BEARING		1	1	1	1	1	1	KB58C793G02		
309	E27 321 499	SHAFT	3FAN	1	1			1	1	KB10B485H05		
310	E27 326 499	SHAFT	4FAN			1	1			KB10B486H05		
311	E27 321 518	FAN JOINT ASSY		1	1	1	1	1	1	KB00R475G01		



No.	Part No.	Part Name	Spec.	SFZ-M60VA-ET.TH	SFZ-M71VA-ET.TH				Dwg. No.	Notes for the models	Revision info.
301	E27 319 128	MOTOR BASE		1	1				KB02B464G02		
302	E27 319 129	FAN CASE A ASSY		4	4				KB00G773G05		Chg.
303	E27 P33 129	FAN CASE B ASSY		4	4				KB00G774G07		Chg.
304	E27 319 500	SIROCCO FAN ASSY		4	4				KB00H341G01		
305	E27 47G 534	ATTACHMENT		2	2				KB02H047G02		Chg.
306	E27 C46 300	MOTOR	D896-2E	1	1				KR61B219H01		
307	KB02U467G01	ATTACHMENT (M-LOCK)		1	1				KB02U467G01		
308	E27 321 509	BEARING		1	1				KB58C793G02		
309	E27 321 499	SHAFT	3FAN						KB10B485H05		
310	E27 326 499	SHAFT	4FAN	1	1				KB10B486H05		
311	E27 321 518	FAN JOINT ASSY		1	1				KB00R475G01		



No.	Part No.	Part Name	Spec.	SFZ-M25VA.TH	SFZ-M35VA.TH	SFZ-M25VA-ET.TH	SFZ-M35VA-ET.TH			Dwg. No.	Notes for the models	Revision info.
401	E27 Y80 447	PRINTED CIRCUIT ASSEMBLY	INDOOR	1	1	1	1			KE01H502B01		
402	E27 162 375	TERMINAL BED ASSY		1	1	1	1			BH00C267G02		
403	E27 156 375	TERMINAL BED ASSY		1	1	1	1			BG00R200G62		
404	E27 319 308	THERMISTOR-S	250XAP	1	1	1	1			RG71J628H01		
405	E27 319 013	BUSH	SRB-R-2	1	1	1	1			KB32K138H01		





**mitsubishi**  
**electric**  
**corporation**

---

BWE01921A (20220531)