

SERVICE PARTS LIST FOR MITSUBISHI ELECTRIC PACKAGED AIR-CONDITIONERS

Series : PFFY-P•VEM-E.TH(-RU,-TR,-IN)

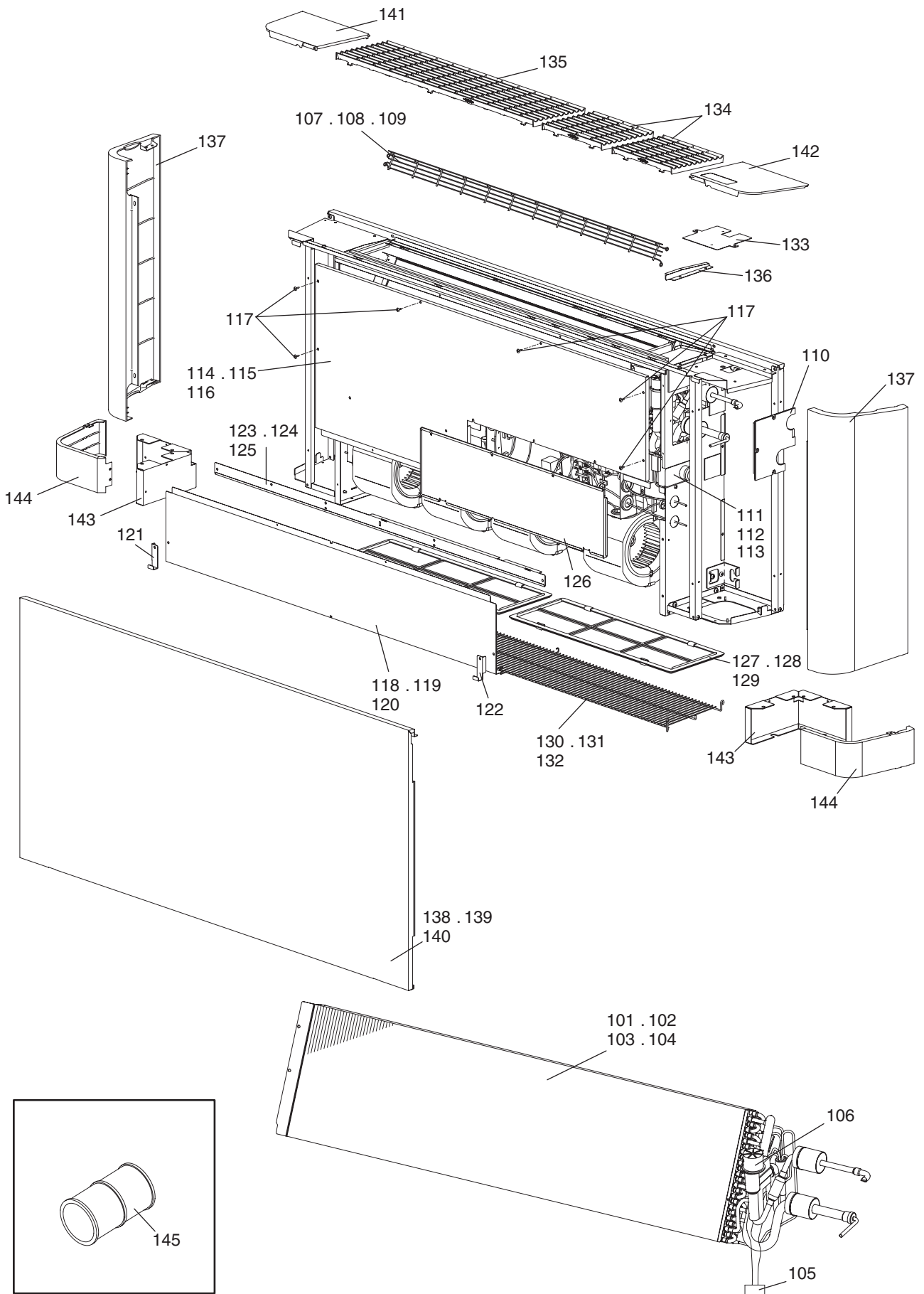
June 2023

BWE023030

INDEX
PFFY-P20VEM-E.TH(-RU,-TR,-IN)
PFFY-P25VEM-E.TH(-RU,-TR,-IN)
PFFY-P32VEM-E.TH(-RU,-TR,-IN)
PFFY-P40VEM-E.TH(-RU,-TR,-IN)
PFFY-P50VEM-E.TH(-RU,-TR,-IN)
PFFY-P63VEM-E.TH(-RU,-TR,-IN)

PFFY-P20,P25,P32VEM-E.TH(-RU,-TR,-IN)
PFFY-P40,P50,P63VEM-E.TH(-RU,-TR,-IN)

EXTERNAL PARTS



PFFY-P20,P25,P32VEM-E.TH(-RU,-TR,-IN)
PFFY-P40,P50,P63VEM-E.TH(-RU,-TR,-IN)

EXTERNAL PARTS

No.	Part No.	Part Name	Spec.	PFFY-P20VEM-E.TH						Dwg. No.	Notes for the models	Revision info.
				PFFY-P20VEM-E.TH	PFFY-P25VEM-E.TH	PFFY-P32VEM-E.TH	PFFY-P40VEM-E.TH	PFFY-P50VEM-E.TH	PFFY-P63VEM-E.TH			
101	E27 13R 620	HEAT EXCHANGER	P20,P25	1	1					VQ00A174B03		
102	E27 15R 620	HEAT EXCHANGER	P32			1				VQ00A175B03		
103	E27 16R 620	HEAT EXCHANGER	P40,P50				1	1		VQ00A177B06		
104	E27 17R 620	HEAT EXCHANGER	P63						1	VQ00A177B05		
105	E27 P45 307	THERMISTOR		1	1	1	1	1	1	RG71V202G04		
106	E27 P49 640	LINEAR EXPANSION VALVE	EFM-40YGMD-301	1	1	1	1	1	1	KR50B246H01		
107	E27 13R 523	FIN GUARD WELD S		1	1	1				VR00B200G03		
108	E27 16R 523	FIN GUARD WELD M					1	1		VR00B201G02		
109	E27 18R 523	FIN GUARD WELD L							1	VR00B202G02		
110	E27 P45 690	COVER PIPE INS		1	1	1	1	1	1	VR00C427G02		
111	E27 P45 700	DRAIN PAN S INS		1	1	1				VR00B114G13		
112	E27 P48 700	DRAIN PAN M INS					1	1		VR00B114G14		
113	E27 P50 700	DRAIN PAN L INS							1	VR00B114G15		
114	E27 P45 232	PANEL F T S INS		1	1	1				VR00B115G07		
115	E27 P48 232	PANEL F T M INS					1	1		VR00B115G08		
116	E27 P50 232	PANEL F T L INS							1	VR00B115G09		
117	E27 319 250	SCREW ADD. WORK DWG		5	5	5	6	6	6	KB12H389G01		
118	E27 P40 232	PANEL F B S		1	1	1				VR02B100G02		
119	E27 P43 232	PANEL F B M					1	1		VR02B101G02		
120	E27 P44 232	PANEL F B L							1	VR02B102G02		
121	E27 14R 534	ATTACHMENT F SL		1	1	1	1	1	1	VR00C701G02		
122	E27 15R 534	ATTACHMENT F SR		1	1	1	1	1	1	VR00C702G02		
123	E27 P45 648	SUPPORT PANEL F S		1	1	1				VR02C380G02		
124	E27 P48 648	SUPPORT PANEL F M					1	1		VR02C381G02		
125	E27 P50 648	SUPPORT PANEL F L							1	VR02C382G03		
126	E27 13R 449	COVER CONT.BOX INS		1	1	1	1	1	1	VR00C429G06		
127	E27 319 100	FILTER	P20,P25,P32	1	1	1				KB35B272G02		
128	E27 320 100	FILTER	P40,P50				1	1		KB35B207G02		
129	E27 326 100	FILTER	P63						2	KB35B208G02		
130	E27 P45 520	FAN GUARD S		1	1	1				VR00B107G04		
131	E27 P48 520	FAN GUARD M					1	1		VR00B106G03		
132	E27 P50 520	FAN GUARD L							1	VR00B105G03		
133	E27 13R 810	PLATE RC ASSY		1	1	1	1	1	1	VR00C690G01		
134	E27 16R 010	GRILLE S					1	1	2	VR25A043G04		
135	E27 13R 010	GRILLE L		1	1	1	1	1	1	VR25A044G04		
136	E27 16R 534	ATTACHMENT GRILLE		1	1	1	1	1	1	VR00D571G02		
137	E27 13R 232	PANEL S		2	2	2	2	2	2	VR25A042G08		
138	E27 14R 232	PANEL F INS S		1	1	1				VR00B212G04		
139	E27 16R 232	PANEL F INS M					1	1		VR00B212G05		
140	E27 18R 232	PANEL F INS L							1	VR00B212G06		
141	E27 13R 690	COVER RC SL		1	1	1	1	1	1	VR00C846G01		
142	E27 14R 690	COVER RC SR		1	1	1	1	1	1	VR00C847G01		
143	E27 13R 808	LEG		2	2	2	2	2	2	VR00C678G01		
144	E27 15R 690	COVER LEG		2	2	2	2	2	2	VR25A047G07		
145	E27 580 704	SOCKET		1	1	1	1	1	1	BB25D449K01		

PFFY-P20,P25,P32VEM-E.TH(-RU,-TR,-IN)
PFFY-P40,P50,P63VEM-E.TH(-RU,-TR,-IN)

EXTERNAL PARTS

No.	Part No.	Part Name	Spec.	PFFY-P20VEM-E.TH-RU	PFFY-P20VEM-E.TH-TR	PFFY-P20VEM-E.TH-IN	PFFY-P40VEM-E.TH-RU	PFFY-P40VEM-E.TH-TR	PFFY-P40VEM-E.TH-IN	PFFY-P50VEM-E.TH-RU	PFFY-P50VEM-E.TH-TR	PFFY-P50VEM-E.TH-IN	Dwg. No.	Notes for the models	Revision info.
101	E27 13R 620	HEAT EXCHANGER	P20,P25	1	1								VQ00A174B03		
102	E27 15R 620	HEAT EXCHANGER	P32			1							VQ00A175B03		
103	E27 16R 620	HEAT EXCHANGER	P40,P50				1	1					VQ00A177B06		
104	E27 17R 620	HEAT EXCHANGER	P63									1	VQ00A177B05		
105	E27 P45 307	THERMISTOR		1	1	1	1	1	1	1	1	1	RG71V202G04		
106	E27 P49 640	LINEAR EXPANSION VALVE	EFM-40YGMD-301	1	1	1	1	1	1	1	1	1	KR50B246H01		
107	E27 13R 523	FIN GUARD WELD S		1	1	1							VR00B200G03		
108	E27 16R 523	FIN GUARD WELD M					1	1					VR00B201G02		
109	E27 18R 523	FIN GUARD WELD L										1	VR00B202G02		
110	E27 P45 690	COVER PIPE INS		1	1	1	1	1	1	1	1	1	VR00C427G02		
111	E27 P45 700	DRAIN PAN S INS		1	1	1							VR00B114G13		
112	E27 P48 700	DRAIN PAN M INS					1	1					VR00B114G14		
113	E27 P50 700	DRAIN PAN L INS										1	VR00B114G15		
114	E27 P45 232	PANEL F T S INS		1	1	1							VR00B115G07		
115	E27 P48 232	PANEL F T M INS					1	1					VR00B115G08		
116	E27 P50 232	PANEL F T L INS										1	VR00B115G09		
117	E27 319 250	SCREW ADD. WORK DWG		5	5	5	6	6	6	6	6	6	KB12H389G01		
118	E27 P40 232	PANEL F B S		1	1	1							VR02B100G02		
119	E27 P43 232	PANEL F B M					1	1					VR02B101G02		
120	E27 P44 232	PANEL F B L										1	VR02B102G02		
121	E27 14R 534	ATTACHMENT F SL		1	1	1	1	1	1	1	1	1	VR00C701G02		
122	E27 15R 534	ATTACHMENT F SR		1	1	1	1	1	1	1	1	1	VR00C702G02		
123	E27 P45 648	SUPPORT PANEL F S		1	1	1							VR02C380G02		
124	E27 P48 648	SUPPORT PANEL F M					1	1					VR02C381G02		
125	E27 P50 648	SUPPORT PANEL F L										1	VR02C382G03		
126	E27 13R 449	COVER CONT.BOX INS		1	1	1	1	1	1	1	1	1	VR00C429G06		
127	E27 319 100	FILTER	P20,P25,P32	1	1	1							KB35B272G02		
128	E27 320 100	FILTER	P40,P50				1	1					KB35B207G02		
129	E27 326 100	FILTER	P63									2	KB35B208G02		
130	E27 P45 520	FAN GUARD S		1	1	1							VR00B107G04		
131	E27 P48 520	FAN GUARD M					1	1					VR00B106G03		
132	E27 P50 520	FAN GUARD L										1	VR00B105G03		
133	E27 13R 810	PLATE RC ASSY		1	1	1	1	1	1	1	1	1	VR00C690G01		
134	E27 16R 010	GRILLE S					1	1	2				VR25A043G04		
135	E27 13R 010	GRILLE L		1	1	1	1	1	1	1	1	1	VR25A044G04		
136	E27 16R 534	ATTACHMENT GRILLE		1	1	1	1	1	1	1	1	1	VR00D571G02		
137	E27 13R 232	PANEL S		2	2	2	2	2	2	2	2	2	VR25A042G08		
138	E27 14R 232	PANEL F INS S		1	1	1							VR00B212G04		
139	E27 16R 232	PANEL F INS M					1	1					VR00B212G05		
140	E27 18R 232	PANEL F INS L										1	VR00B212G06		
141	E27 13R 690	COVER RC SL		1	1	1	1	1	1	1	1	1	VR00C846G01		
142	E27 14R 690	COVER RC SR		1	1	1	1	1	1	1	1	1	VR00C847G01		
143	E27 13R 808	LEG		2	2	2	2	2	2	2	2	2	VR00C678G01		
144	E27 15R 690	COVER LEG		2	2	2	2	2	2	2	2	2	VR25A047G07		
145	E27 580 704	SOCKET		1	1	1	1	1	1	1	1	1	BB25D449K01		

PFFY-P20,P25,P32VEM-E.TH(-RU,-TR,-IN)
PFFY-P40,P50,P63VEM-E.TH(-RU,-TR,-IN)

EXTERNAL PARTS

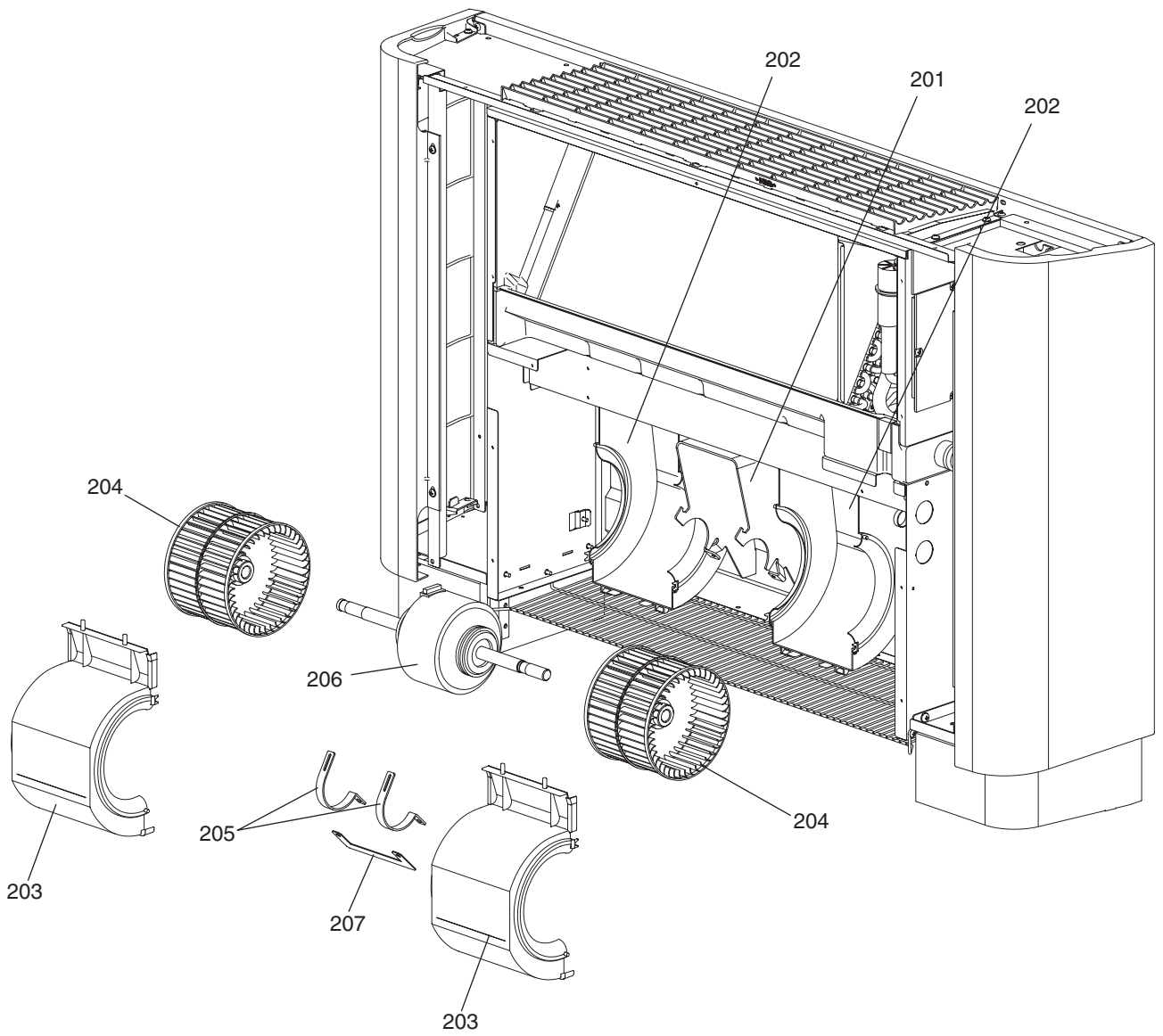
No.	Part No.	Part Name	Spec.	PFFY-P20VEM-E.TH-TR						Dwg. No.	Notes for the models	Revision info.
101	E27 13R 620	HEAT EXCHANGER	P20,P25	1	1					VQ00A174B03		
102	E27 15R 620	HEAT EXCHANGER	P32			1				VQ00A175B03		
103	E27 16R 620	HEAT EXCHANGER	P40,P50				1	1		VQ00A177B06		
104	E27 17R 620	HEAT EXCHANGER	P63						1	VQ00A177B05		
105	E27 P45 307	THERMISTOR		1	1	1	1	1	1	RG71V202G04		
106	E27 P49 640	LINEAR EXPANSION VALVE	EFM-40YGMD-301	1	1	1	1	1	1	KR50B246H01		
107	E27 13R 523	FIN GUARD WELD S		1	1	1				VR00B200G03		
108	E27 16R 523	FIN GUARD WELD M					1	1		VR00B201G02		
109	E27 18R 523	FIN GUARD WELD L							1	VR00B202G02		
110	E27 P45 690	COVER PIPE INS		1	1	1	1	1	1	VR00C427G02		
111	E27 P45 700	DRAIN PAN S INS		1	1	1				VR00B114G13		
112	E27 P48 700	DRAIN PAN M INS					1	1		VR00B114G14		
113	E27 P50 700	DRAIN PAN L INS							1	VR00B114G15		
114	E27 P45 232	PANEL F T S INS		1	1	1				VR00B115G07		
115	E27 P48 232	PANEL F T M INS					1	1		VR00B115G08		
116	E27 P50 232	PANEL F T L INS							1	VR00B115G09		
117	E27 319 250	SCREW ADD. WORK DWG		5	5	5	6	6	6	KB12H389G01		
118	E27 P40 232	PANEL F B S		1	1	1				VR02B100G02		
119	E27 P43 232	PANEL F B M					1	1		VR02B101G02		
120	E27 P44 232	PANEL F B L							1	VR02B102G02		
121	E27 14R 534	ATTACHMENT F SL		1	1	1	1	1	1	VR00C701G02		
122	E27 15R 534	ATTACHMENT F SR		1	1	1	1	1	1	VR00C702G02		
123	E27 P45 648	SUPPORT PANEL F S		1	1	1				VR02C380G02		
124	E27 P48 648	SUPPORT PANEL F M					1	1		VR02C381G02		
125	E27 P50 648	SUPPORT PANEL F L							1	VR02C382G03		
126	E27 13R 449	COVER CONT.BOX INS		1	1	1	1	1	1	VR00C429G06		
127	E27 319 100	FILTER	P20,P25,P32	1	1	1				KB35B272G02		
128	E27 320 100	FILTER	P40,P50				1	1		KB35B207G02		
129	E27 326 100	FILTER	P63						2	KB35B208G02		
130	E27 P45 520	FAN GUARD S		1	1	1				VR00B107G04		
131	E27 P48 520	FAN GUARD M					1	1		VR00B106G03		
132	E27 P50 520	FAN GUARD L							1	VR00B105G03		
133	E27 13R 810	PLATE RC ASSY		1	1	1	1	1	1	VR00C690G01		
134	E27 16R 010	GRILLE S					1	1	2	VR25A043G04		
135	E27 13R 010	GRILLE L		1	1	1	1	1	1	VR25A044G04		
136	E27 16R 534	ATTACHMENT GRILLE		1	1	1	1	1	1	VR00D571G02		
137	E27 13R 232	PANEL S		2	2	2	2	2	2	VR25A042G08		
138	E27 14R 232	PANEL F INS S		1	1	1				VR00B212G04		
139	E27 16R 232	PANEL F INS M					1	1		VR00B212G05		
140	E27 18R 232	PANEL F INS L							1	VR00B212G06		
141	E27 13R 690	COVER RC SL		1	1	1	1	1	1	VR00C846G01		
142	E27 14R 690	COVER RC SR		1	1	1	1	1	1	VR00C847G01		
143	E27 13R 808	LEG		2	2	2	2	2	2	VR00C678G01		
144	E27 15R 690	COVER LEG		2	2	2	2	2	2	VR25A047G07		
145	E27 580 704	SOCKET		1	1	1	1	1	1	BB25D449K01		

PFFY-P20,P25,P32VEM-E.TH(-RU,-TR,-IN)
PFFY-P40,P50,P63VEM-E.TH(-RU,-TR,-IN)

EXTERNAL PARTS

No.	Part No.	Part Name	Spec.	PFFY-P20VEM-E.TH-IN						Dwg. No.	Notes for the models	Revision info.
101	E27 13R 620	HEAT EXCHANGER	P20,P25	1	1					VQ00A174B03		
102	E27 15R 620	HEAT EXCHANGER	P32			1				VQ00A175B03		
103	E27 16R 620	HEAT EXCHANGER	P40,P50				1	1		VQ00A177B06		
104	E27 17R 620	HEAT EXCHANGER	P63						1	VQ00A177B05		
105	E27 P45 307	THERMISTOR		1	1	1	1	1	1	RG71V202G04		
106	E27 P49 640	LINEAR EXPANSION VALVE	EFM-40YGMD-301	1	1	1	1	1	1	KR50B246H01		
107	E27 13R 523	FIN GUARD WELD S		1	1	1				VR00B200G03		
108	E27 16R 523	FIN GUARD WELD M					1	1		VR00B201G02		
109	E27 18R 523	FIN GUARD WELD L							1	VR00B202G02		
110	E27 P45 690	COVER PIPE INS		1	1	1	1	1	1	VR00C427G02		
111	E27 P45 700	DRAIN PAN S INS		1	1	1				VR00B114G13		
112	E27 P48 700	DRAIN PAN M INS					1	1		VR00B114G14		
113	E27 P50 700	DRAIN PAN L INS							1	VR00B114G15		
114	E27 P45 232	PANEL F T S INS		1	1	1				VR00B115G07		
115	E27 P48 232	PANEL F T M INS					1	1		VR00B115G08		
116	E27 P50 232	PANEL F T L INS							1	VR00B115G09		
117	E27 319 250	SCREW ADD. WORK DWG		5	5	5	6	6	6	KB12H389G01		
118	E27 P40 232	PANEL F B S		1	1	1				VR02B100G02		
119	E27 P43 232	PANEL F B M					1	1		VR02B101G02		
120	E27 P44 232	PANEL F B L							1	VR02B102G02		
121	E27 14R 534	ATTACHMENT F SL		1	1	1	1	1	1	VR00C701G02		
122	E27 15R 534	ATTACHMENT F SR		1	1	1	1	1	1	VR00C702G02		
123	E27 P45 648	SUPPORT PANEL F S		1	1	1				VR02C380G02		
124	E27 P48 648	SUPPORT PANEL F M					1	1		VR02C381G02		
125	E27 P50 648	SUPPORT PANEL F L							1	VR02C382G03		
126	E27 13R 449	COVER CONT.BOX INS		1	1	1	1	1	1	VR00C429G06		
127	E27 319 100	FILTER	P20,P25,P32	1	1	1				KB35B272G02		
128	E27 320 100	FILTER	P40,P50				1	1		KB35B207G02		
129	E27 326 100	FILTER	P63						2	KB35B208G02		
130	E27 P45 520	FAN GUARD S		1	1	1				VR00B107G04		
131	E27 P48 520	FAN GUARD M					1	1		VR00B106G03		
132	E27 P50 520	FAN GUARD L							1	VR00B105G03		
133	E27 13R 810	PLATE RC ASSY		1	1	1	1	1	1	VR00C690G01		
134	E27 16R 010	GRILLE S					1	1	2	VR25A043G04		
135	E27 13R 010	GRILLE L		1	1	1	1	1	1	VR25A044G04		
136	E27 16R 534	ATTACHMENT GRILLE		1	1	1	1	1	1	VR00D571G02		
137	E27 13R 232	PANEL S		2	2	2	2	2	2	VR25A042G08		
138	E27 14R 232	PANEL F INS S		1	1	1				VR00B212G04		
139	E27 16R 232	PANEL F INS M					1	1		VR00B212G05		
140	E27 18R 232	PANEL F INS L							1	VR00B212G06		
141	E27 13R 690	COVER RC SL		1	1	1	1	1	1	VR00C846G01		
142	E27 14R 690	COVER RC SR		1	1	1	1	1	1	VR00C847G01		
143	E27 13R 808	LEG		2	2	2	2	2	2	VR00C678G01		
144	E27 15R 690	COVER LEG		2	2	2	2	2	2	VR25A047G07		
145	E27 580 704	SOCKET		1	1	1	1	1	1	BB25D449K01		

PFFY-P20,P25,P32VEM-E.TH(-RU,-TR,-IN) BLOWER PARTS (1)



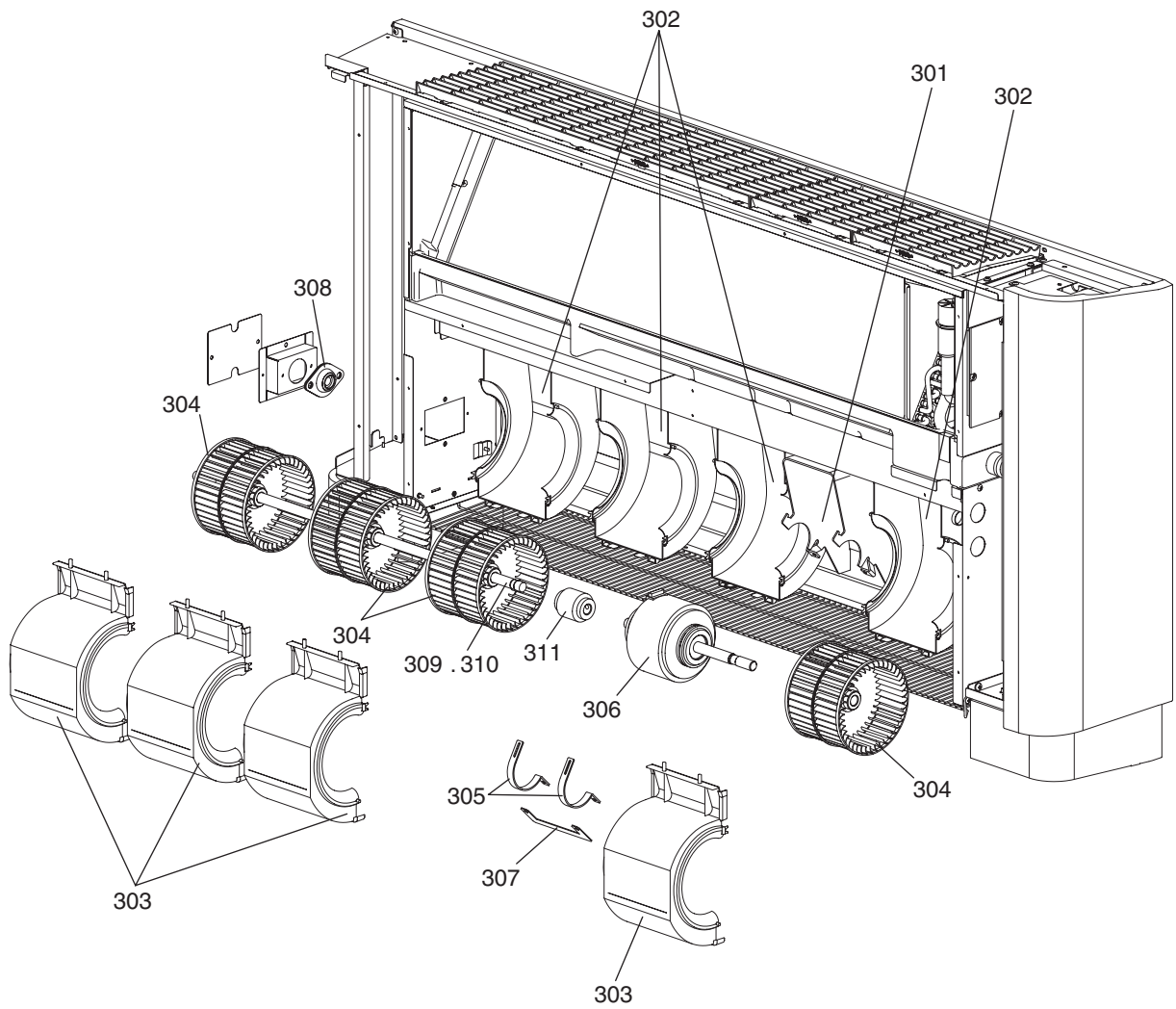
PFFY-P20,P25,P32VEM-E.TH(-RU,-TR,-IN) BLOWER PARTS (1)

No.	Part No.	Part Name	Spec.	PFFY-P20VEM-E.TH	PFFY-P25VEM-E.TH	PFFY-P32VEM-E.TH	PFFY-P20VEM-E.TRHU	PFFY-P25VEM-E.TRHU	PFFY-P32VEM-E.TRHU	Dwg. No.	Notes for the models	Revision info.
201	E27 319 128	MOTOR BASE		1	1	1	1	1	1	KB02B464G02		
202	E27 319 129	FAN CASE A ASSY		2	2	2	2	2	2	KB00G773G05		
203	E27 P33 129	FAN CASE B ASSY		2	2	2	2	2	2	KB00G774G07		
204	E27 319 500	SIROCCO FAN ASSY		2	2	2	2	2	2	KB00H341G01		
205	E27 47G 534	ATTACHMENT		2	2	2	2	2	2	KB02H047G02		
206	E27 C45 300	MOTOR	D8114-1E	1	1	1	1	1	1	KR61B218H01		
207	E27 13R 534	ATTACHMENT (M-LOCK)		1	1	1	1	1	1	KB02U467G01		

PFFY-P20,P25,P32VEM-E.TH(-RU,-TR,-IN) BLOWER PARTS (1)

No.	Part No.	Part Name	Spec.	PFFY-P20VEM-E.TH-TR	PFFY-P25VEM-E.TH-TR	PFFY-P32VEM-E.TH-TR	PFFY-P20VEM-E.TH-IN	PFFY-P25VEM-E.TH-IN	PFFY-P32VEM-E.TH-IN	Dwg. No.	Notes for the models	Revision info.
201	E27 319 128	MOTOR BASE		1	1	1	1	1	1	KB02B464G02		
202	E27 319 129	FAN CASE A ASSY		2	2	2	2	2	2	KB00G773G05		
203	E27 P33 129	FAN CASE B ASSY		2	2	2	2	2	2	KB00G774G07		
204	E27 319 500	SIROCCO FAN ASSY		2	2	2	2	2	2	KB00H341G01		
205	E27 47G 534	ATTACHMENT		2	2	2	2	2	2	KB02H047G02		
206	E27 C45 300	MOTOR	D8114-1E	1	1	1	1	1	1	KR61B218H01		
207	E27 13R 534	ATTACHMENT (M-LOCK)		1	1	1	1	1	1	KB02U467G01		

PFFY-P40,P50,P63VEM-E.TH(-RU,-TR,-IN) BLOWER PARTS (2)



PFFY-P40,P50,P63VEM-E.TH(-RU,-TR,-IN) BLOWER PARTS (2)

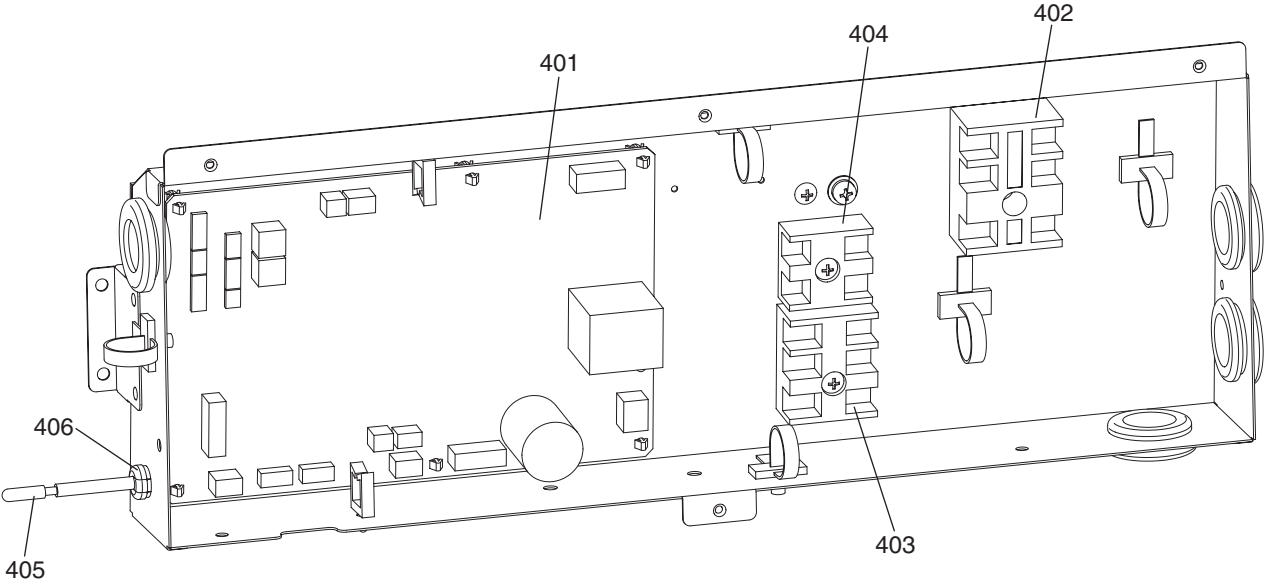
No.	Part No.	Part Name	Spec.	PFFY-P40VEM-E.TH	PFFY-P50VEM-E.TH	PFFY-P63VEM-E.TH	PFFY-P40VEM-E.THRU	PFFY-P50VEM-E.THRU	PFFY-P63VEM-E.THRU	Dwg. No.	Notes for the models	Revision info.
301	E27 319 128	MOTOR BASE		1	1	1	1	1	1	KB02B464G02		
302	E27 319 129	FAN CASE A ASSY		3	3	4	3	3	4	KB00G773G05		
303	E27 P33 129	FAN CASE B ASSY		3	3	4	3	3	4	KB00G774G07		
304	E27 319 500	SIROCCO FAN ASSY		3	3	4	3	3	4	KB00H341G01		
305	E27 47G 534	ATTACHMENT		2	2	2	2	2	2	KB02H047G02		
306	E27 C46 300	MOTOR	D896-2E	1	1	1	1	1	1	KR61B219H01		
307	E27 13R 534	ATTACHMENT (M-LOCK)		1	1	1	1	1	1	KB02U467G01		
308	E27 321 509	BEARING		1	1	1	1	1	1	KB58C793G02		
309	E27 321 499	SHAFT	3FAN	1	1		1	1		KB10B485H05		
310	E27 326 499	SHAFT	4FAN			1			1	KB10B486H05		
311	E27 321 518	FAN JOINT ASSY		1	1	1	1	1	1	KB00R475G01		

PFFY-P40,P50,P63VEM-E.TH(-RU,-TR,-IN) BLOWER PARTS (2)

No.	Part No.	Part Name	Spec.	PFFY-P40VEM-E.TH-TR	PFFY-P50VEM-E.TH-TR	PFFY-P63VEM-E.TH-TR	PFFY-P40VEM-E.TH-IN	PFFY-P50VEM-E.TH-IN	PFFY-P63VEM-E.TH-IN	Dwg. No.	Notes for the models	Revision info.
301	E27 319 128	MOTOR BASE		1	1	1	1	1	1	KB02B464G02		
302	E27 319 129	FAN CASE A ASSY		3	3	4	3	3	4	KB00G773G05		
303	E27 P33 129	FAN CASE B ASSY		3	3	4	3	3	4	KB00G774G07		
304	E27 319 500	SIROCCO FAN ASSY		3	3	4	3	3	4	KB00H341G01		
305	E27 47G 534	ATTACHMENT		2	2	2	2	2	2	KB02H047G02		
306	E27 C46 300	MOTOR	D896-2E	1	1	1	1	1	1	KR61B219H01		
307	E27 13R 534	ATTACHMENT (M-LOCK)		1	1	1	1	1	1	KB02U467G01		
308	E27 321 509	BEARING		1	1	1	1	1	1	KB58C793G02		
309	E27 321 499	SHAFT	3FAN	1	1		1	1		KB10B485H05		
310	E27 326 499	SHAFT	4FAN			1			1	KB10B486H05		
311	E27 321 518	FAN JOINT ASSY		1	1	1	1	1	1	KB00R475G01		

PFFY-P20,P25,P32VEM-E.TH(-RU,-TR,-IN)
PFFY-P40,P50VEM-E.TH(-RU,-TR,-IN)

CONTROL BOX PARTS (1)



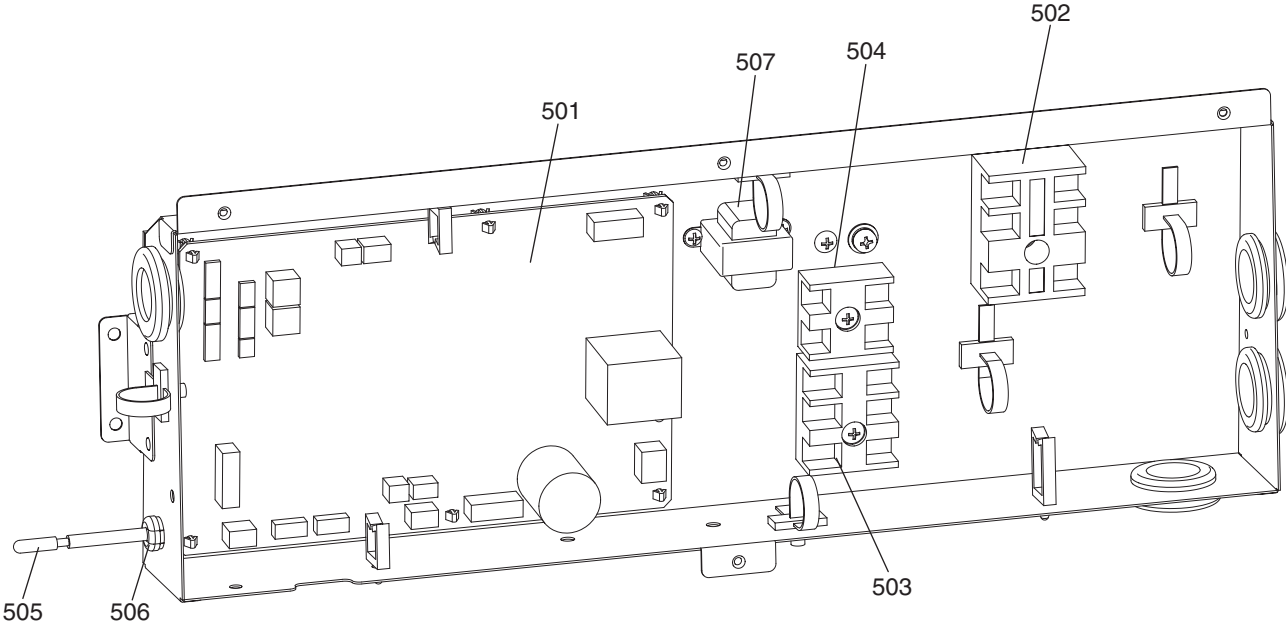
No.	Part No.	Part Name	Spec.	PFFY-P20VEM-E.TH	PFFY-P25VEM-E.TH	PFFY-P32VEM-E.TH	PFFY-P40VEM-E.TH	PFFY-P50VEM-E.TH	PFFY-P20VEM-E.TH+U	Dwg. No.	Notes for the models	Revision info.
401	E27 13R 447	PRINTED CIRCUIT ASSEMBLY	INDOOR	1	1	1	1	1	1	KE01H550B01		
402	E27 155 375	TERMINAL BED ASSY		1	1	1	1	1	1	BG00R200G26		
403	E27 154 375	TERMINAL BED ASSY		1	1	1	1	1	1	BH00C267G04		
404	E27 156 375	TERMINAL BED ASSY		1	1	1	1	1	1	BG00R200G62		
405	E27 319 308	THERMISTOR-S	250XAP	1	1	1	1	1	1	RG71J628H01		
406	E27 319 013	BUSH	SRB-R-2	1	1	1	1	1	1	KB32K138H01		

No.	Part No.	Part Name	Spec.	PFFY- <small>P20,P25,P32</small> VEM-E.TH(-RU,-TR,-IN)						Dwg. No.	Notes for the models	Revision info.
				PFFY-P20VEM-E.TH-R	PFFY-P25VEM-E.TH-R	PFFY-P32VEM-E.TH-R	PFFY-P20VEM-E.TH-N	PFFY-P25VEM-E.TH-N	PFFY-P32VEM-E.TH-N			
401	E27 13R 447	PRINTED CIRCUIT ASSEMBLY	INDOOR	1	1	1	1	1	1	KE01H550B01		
402	E27 155 375	TERMINAL BED ASSY		1	1	1	1	1	1	BG00R200G26		
403	E27 154 375	TERMINAL BED ASSY		1	1	1	1	1	1	BH00C267G04		
404	E27 156 375	TERMINAL BED ASSY		1	1	1	1	1	1	BG00R200G62		
405	E27 319 308	THERMISTOR-S	250XAP	1	1	1	1	1	1	RG71J628H01		
406	E27 319 013	BUSH	SRB-R-2	1	1	1	1	1	1	KB32K138H01		

**PFFY-P20,P25,P32VEM-E.TH(-RU,-TR,-IN)
PFFY-P40,P50VEM-E.TH(-RU,-TR,-IN)**

CONTROL BOX PARTS (1)

No.	Part No.	Part Name	Spec.	PFFY-P40VEM-E.TH-IN	PFFY-P50VEM-E.TH-IN										Revision info.	
						Dwg. No.	Notes for the models									
401	E27 13R 447	PRINTED CIRCUIT ASSEMBLY	INDOOR	1	1										KE01H550B01	
402	E27 155 375	TERMINAL BED ASSY		1	1										BG00R200G26	
403	E27 154 375	TERMINAL BED ASSY		1	1										BH00C267G04	
404	E27 156 375	TERMINAL BED ASSY		1	1										BG00R200G62	
405	E27 319 308	THERMISTOR-S	250XAP	1	1										RG71J628H01	
406	E27 319 013	BUSH	SRB-R-2	1	1										KB32K138H01	



No.	Part No.	Part Name	Spec.	PFFY-P63VEM-E.TH	PFFY-P63VEM-E.THRU	PFFY-P63VEM-E.TR	PFFY-P63VEM-E.THN		Dwg. No.	Notes for the models	Revision info.
501	E27 13R 447	PRINTED CIRCUIT ASSEMBLY	INDOOR	1	1	1	1		KE01H550B01		
502	E27 155 375	TERMINAL BED ASSY		1	1	1	1		BG00R200G26		
503	E27 154 375	TERMINAL BED ASSY		1	1	1	1		BH00C267G04		
504	E27 156 375	TERMINAL BED ASSY		1	1	1	1		BG00R200G62		
505	E27 319 308	THERMISTOR-S	250XAP	1	1	1	1		RG71J628H01		
506	E27 319 013	BUSH	SRB-R-2	1	1	1	1		KB32K138H01		
507	E27 P39 337	REACTOR	1.5A 2.87MH	1	1	1	1		KR65C560H01		

mitsubishi
electric
corporation

BWE023030 (20230630)