

**Revision E:**

• MSZ-SF25/35/42/50VE3- **E1**, **EN1**, **ER1** have been added.

Please void OBB600 REVISED EDITION-D.

# INDOOR UNIT PARTS CATALOG

**No. OBB600  
REVISED EDITION-E**

## Models

**MSZ-SF25VE** - **E1**, **E2**, **EN1**, **EN2**, **ER2**

**MSZ-SF35VE** - **E1**, **E2**, **EN1**, **EN2**, **ER2**

**MSZ-SF42VE** - **E1**, **E2**, **EN1**, **EN2**, **ER2**

**MSZ-SF50VE** - **E1**, **E2**, **EN1**, **EN2**, **ER2**

**MSZ-SF25VE2** - **E1**, **EN1**, **ER1**

**MSZ-SF35VE2** - **E1**, **EN1**, **ER1**

**MSZ-SF42VE2** - **E1**, **EN1**, **ER1**

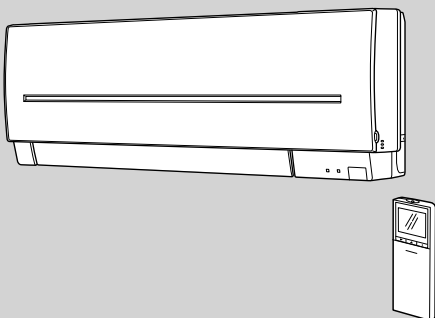
**MSZ-SF50VE2** - **E1**, **EN1**, **ER1**

**MSZ-SF25VE3** - **E1**, **EN1**, **ER1**

**MSZ-SF35VE3** - **E1**, **EN1**, **ER1**

**MSZ-SF42VE3** - **E1**, **EN1**, **ER1**

**MSZ-SF50VE3** - **E1**, **EN1**, **ER1**



## CONTENTS

1. RoHS PARTS LIST.....	2
2. OPTIONAL PARTS.....	22

**SERVICE MANUAL (OBH600)**

**NOTE:**

RoHS compliant products have <G> mark on the spec name plate.

**Revision A:**

• Part number of "INDOOR COIL THERMISTOR" has been changed.

**Revision B:**

• MSZ-SF25/35/42/50VE- [E2] and MSZ-SF25/35/42/50VE- [EN2] have been added.

**Revision C:**

• MSZ-SF25/35/42/50VE- [ER2] have been added.

**Revision D:**

• MSZ-SF25/35/42/50VE2- [E1], [EN1], [ER1] have been added.

**Revision E:**

• MSZ-SF25/35/42/50VE3- [E1], [EN1], [ER1] have been added.

# 1 RoHS PARTS LIST

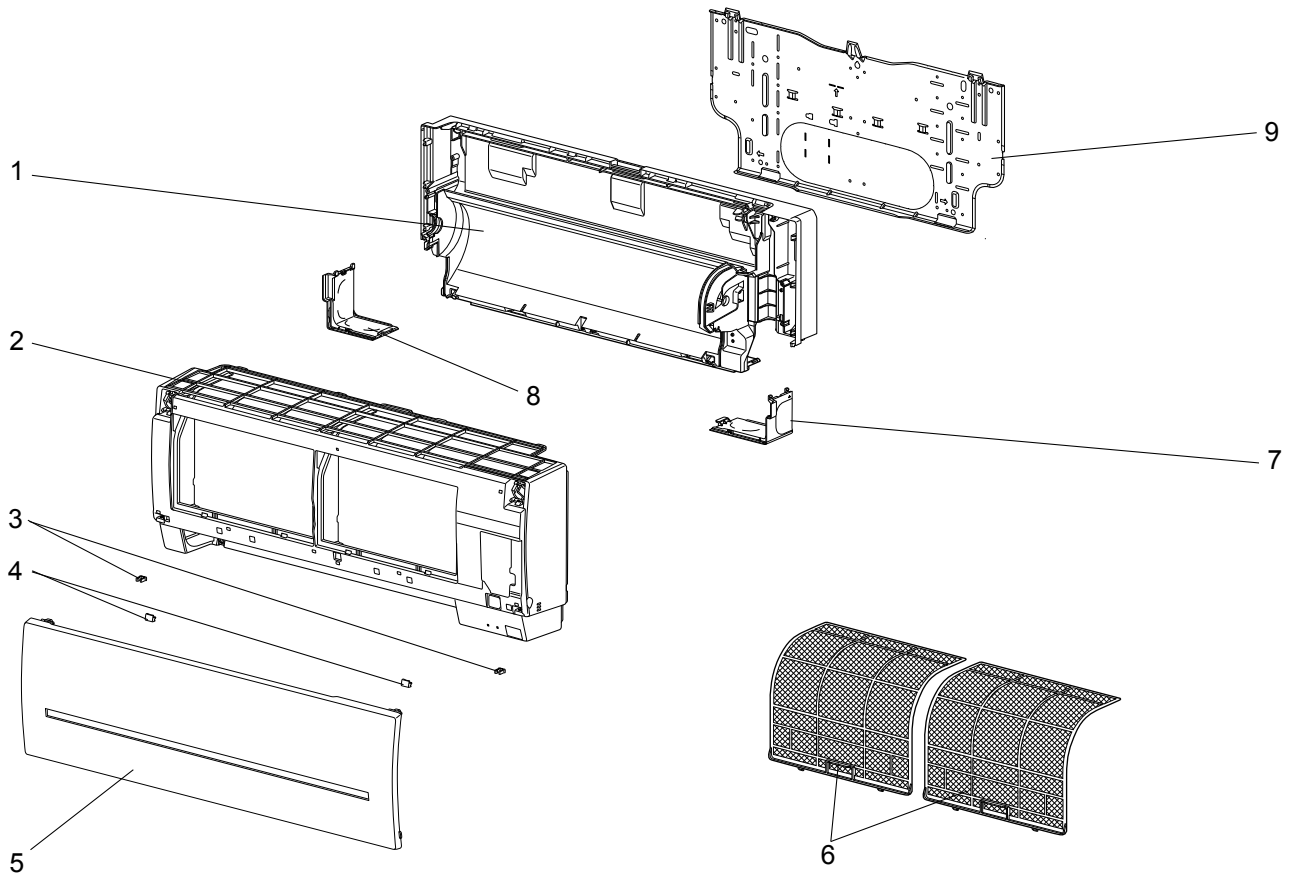
MSZ-SF25VE- [E1], [E2], [EN1], [EN2]

MSZ-SF35VE- [E1], [E2], [EN1], [EN2]

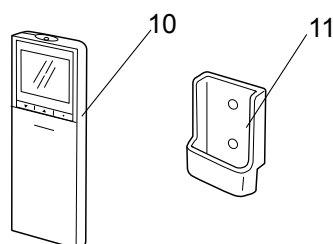
MSZ-SF42VE- [E1], [E2], [EN1], [EN2]

MSZ-SF50VE- [E1], [E2], [EN1], [EN2]

## 1-1. INDOOR UNIT STRUCTURAL PARTS



## 1-2. ACCESSORY AND REMOTE CONTROLLER



# RoHS PARTS LIST

## 1-1. INDOOR UNIT STRUCTURAL PARTS

No.	RoHS	Part No.	Part name	Symbol in Wiring Diagram	Q'ty/unit																Remarks
					MSZ-SF																
					25				35				42				50				
					VE	VE	VE	VE	VE	VE	VE	VE	VE	VE	VE	VE	VE	VE	VE	VE	
					-E1	-E2	-EN1	-EN2	-E1	-E2	-EN1	-EN2	-E1	-E2	-EN1	-EN2	-E1	-E2	-EN1	-EN2	
1	G	E12 H14 234	BOX ASSEMBLY		1	1	1	1	1	1	1	1	1	1	1	1	1	1	1	1	
2	G	E12 H14 000	PANEL ASSEMBLY		1	1	1	1	1	1	1	1	1	1	1	1	1	1	1	1	Including No. 3,4,5
3	G	E12 F95 142	CATCH		2	2	2	2	2	2	2	2	2	2	2	2	2	2	2	2	2 PCS/SET
4	G	E12 913 067	SCREW CAP		2	2	2	2	2	2	2	2	2	2	2	2	2	2	2	2	2 PCS/SET
5	G	E12 H14 010	FRONT PANEL		1	1	1	1	1	1	1	1	1	1	1	1	1	1	1	1	
6	G	E12 H14 100	NANO PLATINUM FILTER		2	2	2	2	2	2	2	2	2	2	2	2	2	2	2	2	1 PC/SET
7	G	E12 H14 975	CORNER BOX RIGHT		1	1	1	1	1	1	1	1	1	1	1	1	1	1	1	1	
8	G	E12 H14 976	CORNER BOX LEFT		1	1	1	1	1	1	1	1	1	1	1	1	1	1	1	1	
9	G	E12 H14 970	INSTALLATION PLATE		1	1	1	1	1	1	1	1	1	1	1	1	1	1	1	1	

## 1-2. ACCESSORY AND REMOTE CONTROLLER

No.	RoHS	Part No.	Part name	Symbol in Wiring Diagram	Q'ty/unit																Remarks
					MSZ-SF																
					25				35				42				50				
					VE	VE	VE	VE	VE	VE	VE	VE	VE	VE	VE	VE	VE	VE	VE	VE	
					-E1	-E2	-EN1	-EN2	-E1	-E2	-EN1	-EN2	-E1	-E2	-EN1	-EN2	-E1	-E2	-EN1	-EN2	
10	G	E12 F95 426	REMOTE CONTROLLER		1	1	1	1	1	1	1	1	1	1	1	1	1	1	1	1	SG11D
11	G	E12 F28 083	REMOTE CONTROLLER HOLDER		1	1	1	1	1	1	1	1	1	1	1	1	1	1	1	1	

# RoHS PARTS LIST

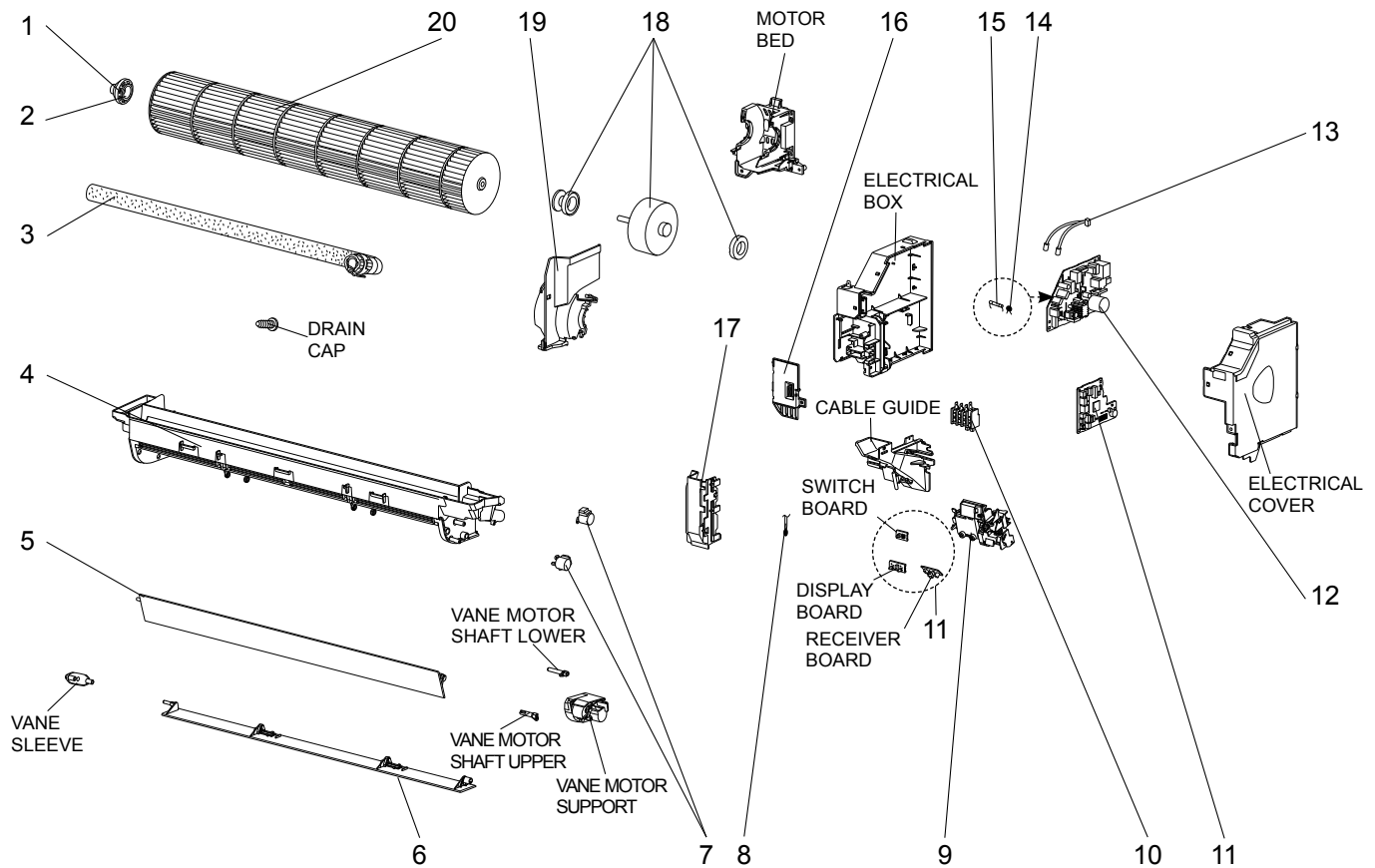
MSZ-SF25VE- E1, E2, EN1, EN2

MSZ-SF35VE- E1, E2, EN1, EN2

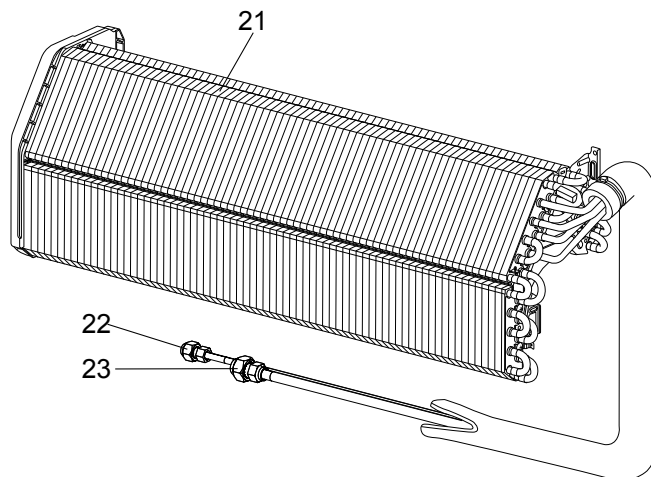
MSZ-SF42VE- E1, E2, EN1, EN2

MSZ-SF50VE- E1, E2, EN1, EN2

## 1-3. INDOOR UNIT ELECTRICAL PARTS AND FUNCTIONAL PARTS



## 1-4. INDOOR UNIT HEAT EXCHANGER



# RoHS PARTS LIST

## 1-3. INDOOR UNIT ELECTRICAL PARTS AND FUNCTIONAL PARTS

No.	RoHS	Part No.	Part name	Symbol in Wiring Diagram	Q'ty/unit																Remarks
					MSZ-SF																
					25				35				42				50				
VE	VE	VE	VE	VE	VE	VE	VE	VE	VE	VE	VE	VE	VE	VE	VE	VE	VE	VE	VE		
-E1	-E2	-EN1	-EN2	-E1	-E2	-EN1	-EN2	-E1	-E2	-EN1	-EN2	-E1	-E2	-EN1	-EN2	-E1	-E2	-EN1	-EN2		
1	G	E12 751 509	BEARING MOUNT		1	1	1	1	1	1	1	1	1	1	1	1	1	1	1		
2	G	E12 001 504	SLEEVE BEARING		1	1	1	1	1	1	1	1	1	1	1	1	1	1	1		
3	G	E12 897 702	DRAIN HOSE		1	1	1	1	1	1	1	1	1	1	1	1	1	1	1		
4	G	E12 H14 235	NOZZLE ASSEMBLY		1	1	1	1	1	1	1	1	1	1	1	1	1	1	1		
5	G	E12 H14 040	VANE UPPER		1	1	1	1	1	1	1	1	1	1	1	1	1	1	1		
6	G	E12 H14 041	VANE LOWER		1	1	1	1	1	1	1	1	1	1	1	1	1	1	1		
7	G	E12 A89 303	VANE MOTOR	MV	2	2	2	2	2	2	2	2	2	2	2	2	2	2	2	UP & DOWN, 1 PC/SET	
8	G	E12 H14 308	ROOM TEMPERATURE THERMISTOR	RT11	1	1	1	1	1	1	1	1	1	1	1	1	1	1	1		
9	G	E12 H14 095	DISPLAY P.C. BOARD HOLDER ASSEMBLY		1	1	1	1	1	1	1	1	1	1	1	1	1	1	1		
10	G	E12 F95 375	TERMINAL BLOCK	TB	1	1	1	1	1	1	1	1	1	1	1	1	1	1	1		
11	G	E12 H14 452	ELECTRONIC CONTROL P.C. BOARD ※1		1		1														
	G	E12 J53 452				1		1													
	G	E12 H15 452						1		1											
	G	E12 J54 452								1		1									
	G	E12 H16 452										1		1							
	G	E12 J55 452												1		1					
	G	E12 H17 452														1		1			
12	G	E12 H14 440	POWER P.C. BOARD		1		1					1		1							
	G	E12 J53 440				1		1				1		1							
	G	E12 H15 440						1		1					1		1				
	G	E12 J55 440								1		1					1		1		
13	G	E12 H14 307	INDOOR COIL THERMISTOR	RT12,RT13	1	1	1	1	1	1	1	1	1	1	1	1	1	1	1		
14	G	E12 B75 385	VARISTOR	NR11	1	1	1	1	1	1	1	1	1	1	1	1	1	1	1		
15	G	E12 A49 382	FUSE	F11	1	1	1	1	1	1	1	1	1	1	1	1	1	1	1	T3.15AL250V	
16	G	E12 F95 784	V.A. CLAMP		1	1	1	1	1	1	1	1	1	1	1	1	1	1	1		
17	G	E12 H14 541	WATER CUT ASSEMBLY		1	1	1	1	1	1	1	1	1	1	1	1	1	1	1		
18	G	E12 H14 300	INDOOR FAN MOTOR ※2	MF	1	1	1	1	1	1	1	1	1	1	1	1	1	1	1	RC0J21-□□	
19	G	E12 F95 333	MOTOR BAND		1	1	1	1	1	1	1	1	1	1	1	1	1	1	1		
20	G	E12 H14 302	LINE FLOW FAN		1	1	1	1	1	1	1	1	1	1	1	1	1	1	1		

※1 Including RECEIVER BOARD, DISPLAY BOARD and SWITCH BOARD.

※2 Including FAN MOTOR RUBBER MOUNT (2 PCS/SET)

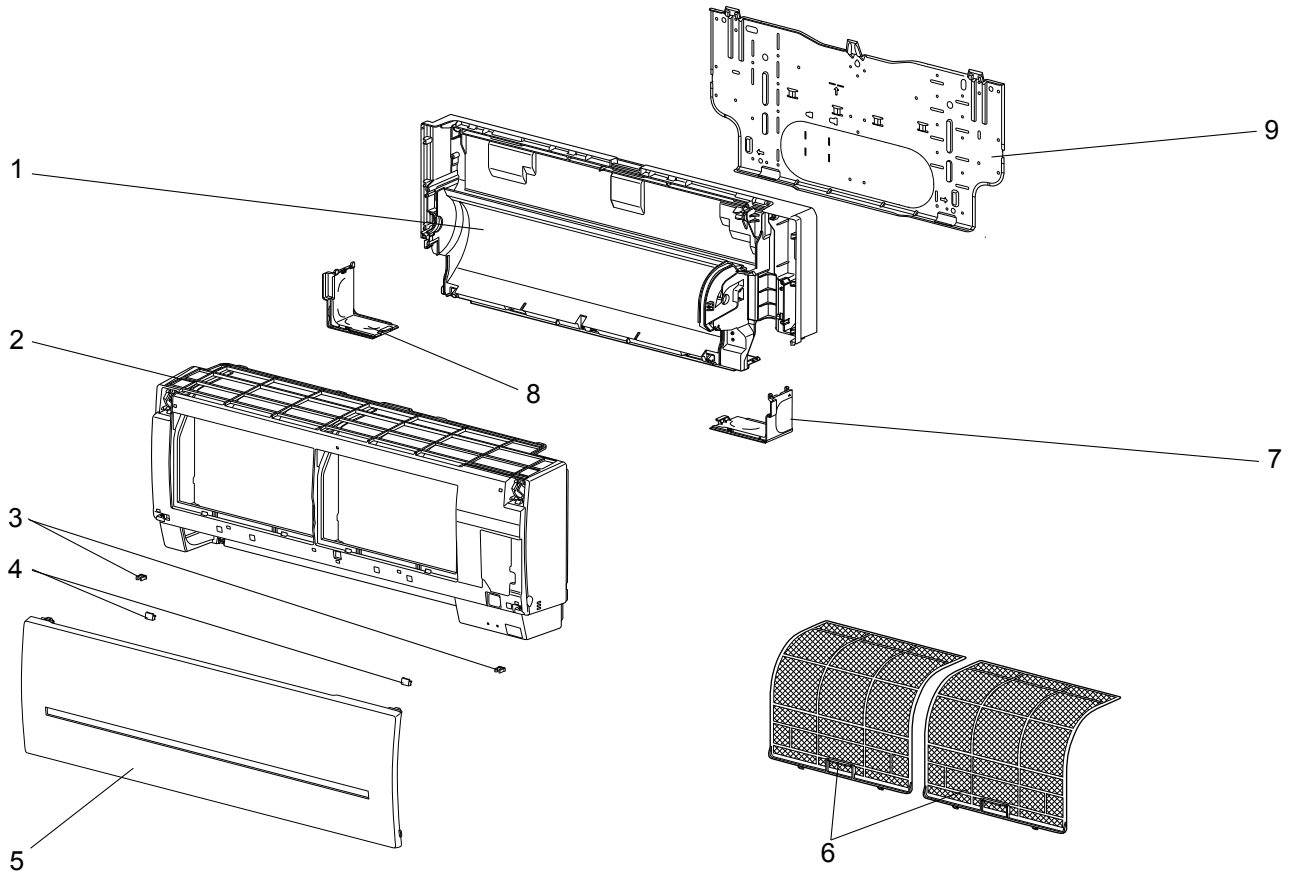
## 1-4. INDOOR UNIT HEAT EXCHANGER

No.	RoHS	Part No.	Part name	Symbol in Wiring Diagram	Q'ty/unit																Remarks
					MSZ-SF																
					25				35				42				50				
VE	VE	VE	VE	VE	VE	VE	VE	VE	VE	VE	VE	VE	VE	VE	VE	VE	VE	VE	VE		
-E1	-E2	-EN1	-EN2	-E1	-E2	-EN1	-EN2	-E1	-E2	-EN1	-EN2	-E1	-E2	-EN1	-EN2	-E1	-E2	-EN1	-EN2		
21	G	E12 H14 620	INDOOR HEAT EXCHANGER		1	1			1	1			1	1							
	G	E12 H90 620					1	1					1	1							
	G	E12 H17 620														1	1				
	G	E12 H93 620																1	1		
22	G	E12 151 667	UNION (LIQUID)		1	1	1	1	1	1	1	1	1	1	1	1	1	1	1	ø6.35	
23	G	E12 815 666	UNION (GAS)		1	1	1	1	1	1	1	1	1	1	1					ø9.52	
	G	E12 155 666														1	1	1	1	ø12.7	

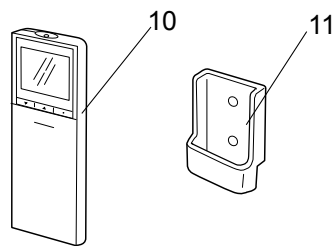
# RoHS PARTS LIST

MSZ-SF25VE2-   MSZ-SF35VE2-    
MSZ-SF42VE2-   MSZ-SF50VE2-  

## 1-5. INDOOR UNIT STRUCTURAL PARTS



## 1-6. ACCESSORY AND REMOTE CONTROLLER



# RoHS PARTS LIST

## 1-5. INDOOR UNIT STRUCTURAL PARTS

No.	RoHS	Part No.	Part name	Symbol in Wiring Diagram	Q'ty/unit								Remarks
					MSZ-SF								
					25		35		42		50		
					VE2 -E1	VE2 -EN1	VE2 -E1	VE2 -EN1	VE2 -E1	VE2 -EN1	VE2 -E1	VE2 -EN1	
1	G	E12 H14 234	BOX ASSEMBLY		1	1	1	1	1	1	1	1	
2	G	E12 H14 000	PANEL ASSEMBLY		1	1	1	1	1	1	1	1	Including No. 3,4,5
3	G	E12 F95 142	CATCH		2	2	2	2	2	2	2	2	2 PCS/SET
4	G	E12 913 067	SCREW CAP		2	2	2	2	2	2	2	2	2 PCS/SET
5	G	E12 H14 010	FRONT PANEL		1	1	1	1	1	1	1	1	
6	G	E12 H14 100	NANO PLATINUM FILTER		2	2	2	2	2	2	2	2	1 PC/SET
7	G	E12 H14 975	CORNER BOX RIGHT		1	1	1	1	1	1	1	1	
8	G	E12 H14 976	CORNER BOX LEFT		1	1	1	1	1	1	1	1	
9	G	E12 H14 970	INSTALLATION PLATE		1	1	1	1	1	1	1	1	

## 1-6. ACCESSORY AND REMOTE CONTROLLER

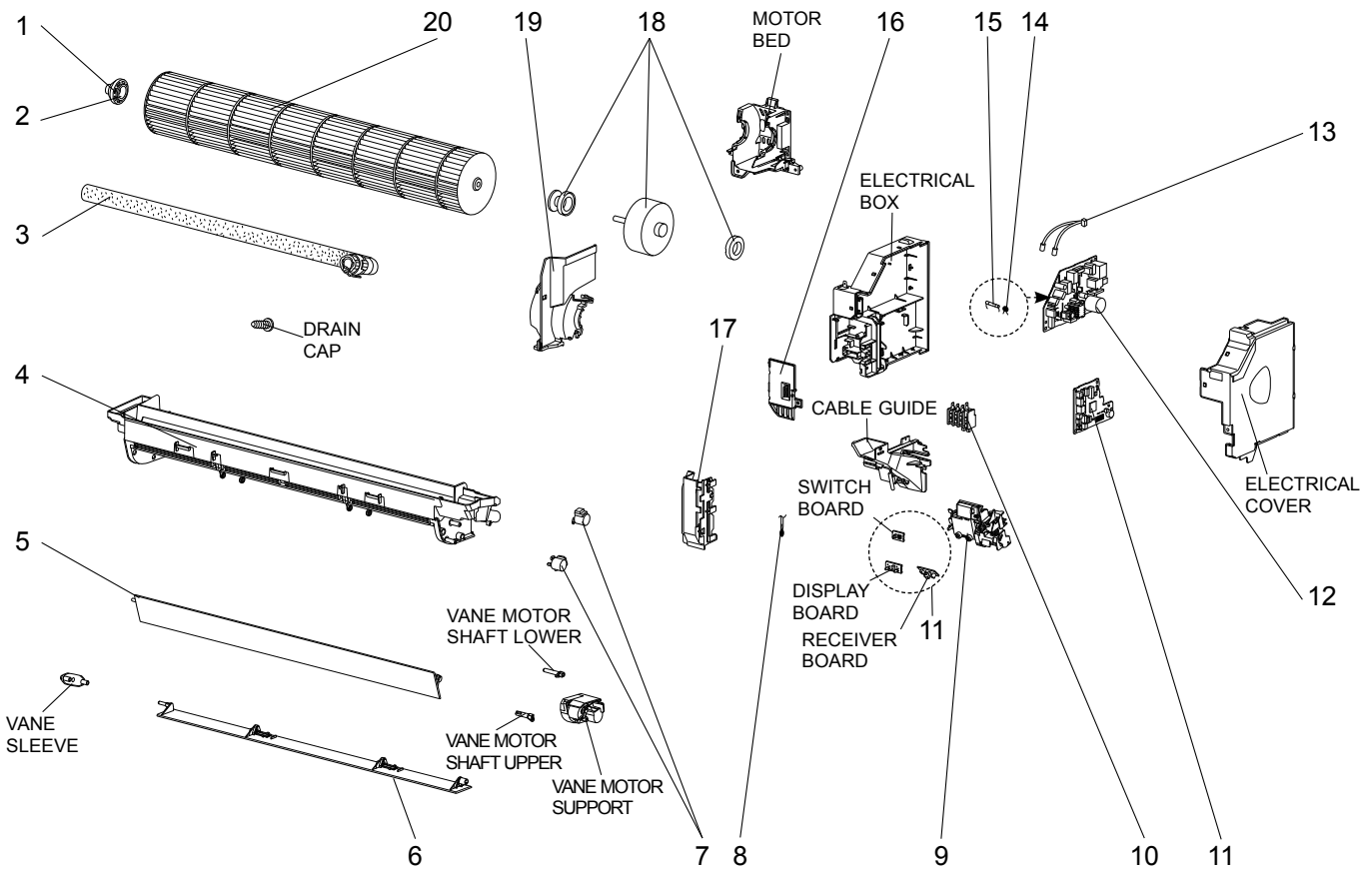
No.	RoHS	Part No.	Part name	Symbol in Wiring Diagram	Q'ty/unit								Remarks
					MSZ-SF								
					25		35		42		50		
					VE2 -E1	VE2 -EN1	VE2 -E1	VE2 -EN1	VE2 -E1	VE2 -EN1	VE2 -E1	VE2 -EN1	
10	G	E12 M42 426	REMOTE CONTROLLER		1	1	1	1	1	1	1	1	SG14D
11	G	E12 F28 083	REMOTE CONTROLLER HOLDER		1	1	1	1	1	1	1	1	

# RoHS PARTS LIST

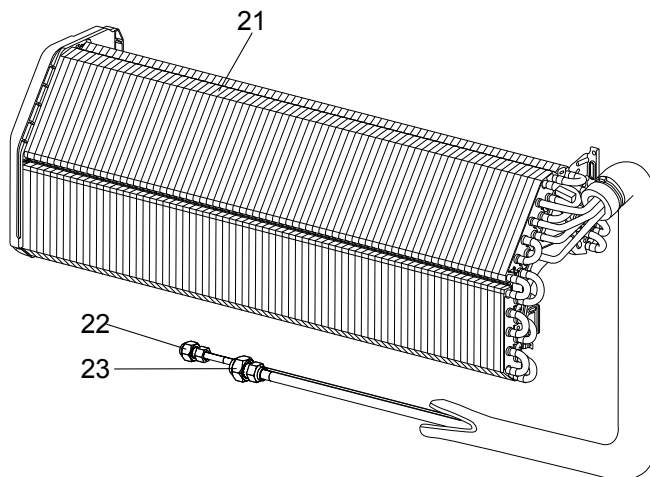
MSZ-SF25VE2- E1, EN1 MSZ-SF35VE2- E1, EN1

MSZ-SF42VE2- E1, EN1 MSZ-SF50VE2- E1, EN1

## 1-7. INDOOR UNIT ELECTRICAL PARTS AND FUNCTIONAL PARTS



## 1-8. INDOOR UNIT HEAT EXCHANGER





# RoHS PARTS LIST

## 1-7. INDOOR UNIT ELECTRICAL PARTS AND FUNCTIONAL PARTS

No.	RoHS	Part No.	Part name	Symbol in Wiring Diagram	Q'ty/unit								Remarks
					MSZ-SF								
					25		35		42		50		
VE2 -E1	VE2 -EN1	VE2 -E1	VE2 -EN1	VE2 -E1	VE2 -EN1	VE2 -E1	VE2 -EN1						
1	G	E12 751 509	BEARING MOUNT		1	1	1	1	1	1	1	1	
2	G	E12 001 504	SLEEVE BEARING		1	1	1	1	1	1	1	1	
3	G	E12 897 702	DRAIN HOSE		1	1	1	1	1	1	1	1	
4	G	E12 H14 235	NOZZLE ASSEMBLY		1	1	1	1	1	1	1	1	
5	G	E12 H14 040	VANE UPPER		1	1	1	1	1	1	1	1	
6	G	E12 H14 041	VANE LOWER		1	1	1	1	1	1	1	1	
7	G	E12 A89 303	VANE MOTOR	MV	2	2	2	2	2	2	2	2	UP & DOWN, 1 PC/SET
8	G	E12 H14 308	ROOM TEMPERATURE THERMISTOR	RT11	1	1	1	1	1	1	1	1	
9	G	E12 H14 095	DISPLAY P.C. BOARD HOLDER ASSEMBLY		1	1	1	1	1	1	1	1	
10	G	E12 F95 375	TERMINAL BLOCK	TB	1	1	1	1	1	1	1	1	
11	G	E12 P83 452	ELECTRONIC CONTROL P.C. BOARD ※1		1	1							
	G	E12 P84 452					1	1					
	G	E12 P85 452							1	1			
	G	E12 P86 452									1	1	
12	G	E12 J53 440	POWER P.C. BOARD		1	1			1	1			
	G	E12 J55 440					1	1			1	1	
13	G	E12 H14 307	INDOOR COIL THERMISTOR	RT12, RT13	1	1	1	1	1	1	1	1	
14	G	E12 B75 385	VARISTOR	NR11	1	1	1	1	1	1	1	1	
15	G	E12 A49 382	FUSE	F11	1	1	1	1	1	1	1	1	T3.15AL250V
16	G	E12 F95 784	V.A. CLAMP		1	1	1	1	1	1	1	1	
17	G	E12 H14 541	WATER CUT ASSEMBLY		1	1	1	1	1	1	1	1	
18	G	E12 H14 300	INDOOR FAN MOTOR ※2	MF	1	1	1	1	1	1	1	1	RC0J21-□□
19	G	E12 F95 333	MOTOR BAND		1	1	1	1	1	1	1	1	
20	G	E12 H14 302	LINE FLOW FAN		1	1	1	1	1	1	1	1	

※1 Including RECEIVER BOARD, DISPLAY BOARD and SWITCH BOARD.

※2 Including FAN MOTOR RUBBER MOUNT (2 PCS/SET)

## 1-8. INDOOR UNIT HEAT EXCHANGER

No.	RoHS	Part No.	Part name	Symbol in Wiring Diagram	Q'ty/unit								Remarks
					MSZ-SF								
					25		35		42		50		
VE2 -E1	VE2 -EN1	VE2 -E1	VE2 -EN1	VE2 -E1	VE2 -EN1	VE2 -E1	VE2 -EN1						
21	G	E12 H14 620	INDOOR HEAT EXCHANGER		1		1		1				
	G	E12 H90 620				1		1		1			
	G	E12 H17 620									1		
	G	E12 H93 620										1	
22	G	E12 151 667	UNION (LIQUID)		1	1	1	1	1	1	1	1	ø6.35
23	G	E12 815 666	UNION (GAS)		1	1	1	1	1	1			ø9.52
	G	E12 155 666									1	1	ø12.7

# RoHS PARTS LIST

MSZ-SF25VE-ER2

MSZ-SF35VE-ER2

MSZ-SF42VE-ER2

MSZ-SF50VE-ER2

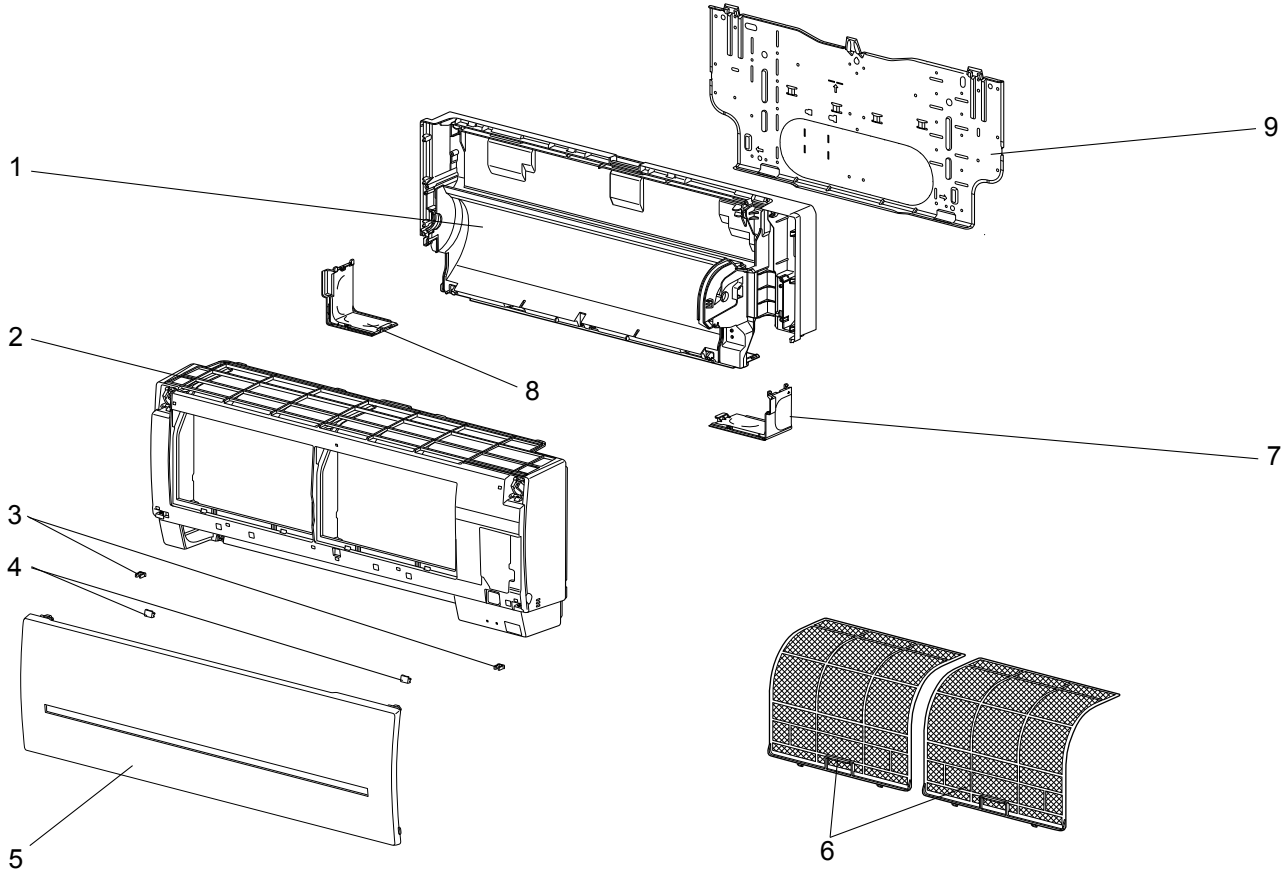
MSZ-SF25VE2-ER1

MSZ-SF35VE2-ER1

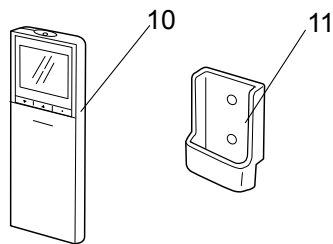
MSZ-SF42VE2-ER1

MSZ-SF50VE2-ER1

## 1-9. INDOOR UNIT STRUCTURAL PARTS



## 1-10. ACCESSORY AND REMOTE CONTROLLER



# RoHS PARTS LIST

## 1-9. INDOOR UNIT STRUCTURAL PARTS

No.	RoHS	Part No.	Part name	Symbol in Wiring Diagram	Q'ty/unit								Remarks
					MSZ-SF								
					25		35		42		50		
					VE	VE2	VE	VE2	VE	VE2	VE	VE2	
-ER2		-ER1		-ER2		-ER1		-ER2		-ER1			
1	G	E12 H14 234	BOX ASSEMBLY		1	1	1	1	1	1	1	1	
2	G	E12 H14 000	PANEL ASSEMBLY		1	1	1	1	1	1	1	1	Including No. 3,4,5
3	G	E12 F95 142	CATCH		2	2	2	2	2	2	2	2	2 PCS/SET
4	G	E12 913 067	SCREW CAP		2	2	2	2	2	2	2	2	2 PCS/SET
5	G	E12 H14 010	FRONT PANEL		1	1	1	1	1	1	1	1	
6	G	E12 H14 100	NANO PLATINUM FILTER		2	2	2	2	2	2	2	2	1 PC/SET
7	G	E12 H14 975	CORNER BOX RIGHT		1	1	1	1	1	1	1	1	
8	G	E12 H14 976	CORNER BOX LEFT		1	1	1	1	1	1	1	1	
9	G	E12 H14 970	INSTALLATION PLATE		1	1	1	1	1	1	1	1	

## 1-10. ACCESSORY AND REMOTE CONTROLLER

No.	RoHS	Part No.	Part name	Symbol in Wiring Diagram	Q'ty/unit								Remarks
					MSZ-SF								
					25		35		42		50		
					VE	VE2	VE	VE2	VE	VE2	VE	VE2	
-ER2		-ER1		-ER2		-ER1		-ER2		-ER1			
10	G	E12 F95 426	REMOTE CONTROLLER		1		1		1		1		SG11D
	G	E12 M42 426				1		1		1		1	
11	G	E12 F28 083	REMOTE CONTROLLER HOLDER		1	1	1	1	1	1	1	1	

# RoHS PARTS LIST

MSZ-SF25VE-ER2

MSZ-SF35VE-ER2

MSZ-SF42VE-ER2

MSZ-SF50VE-ER2

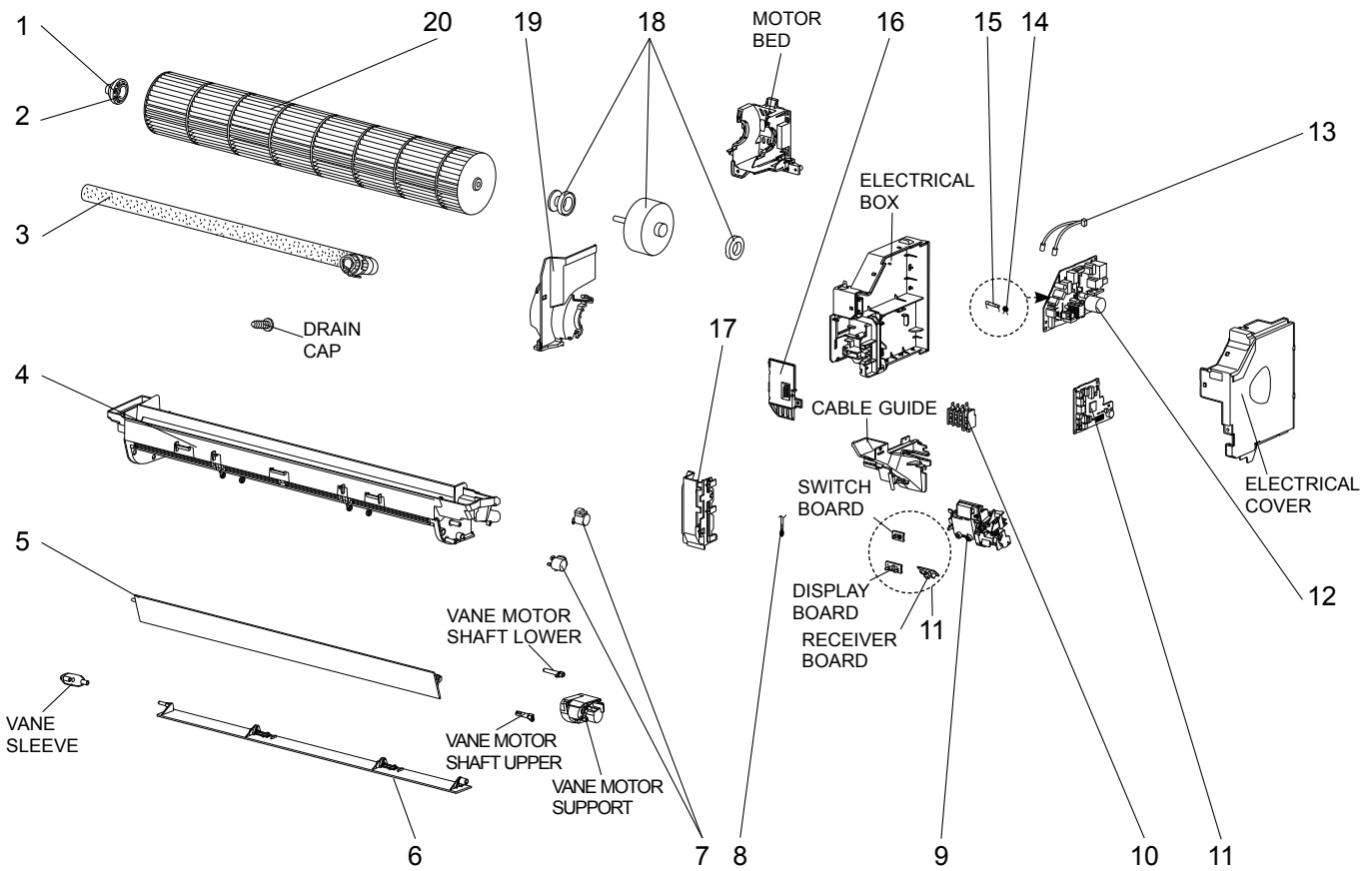
MSZ-SF25VE2-ER1

MSZ-SF35VE2-ER1

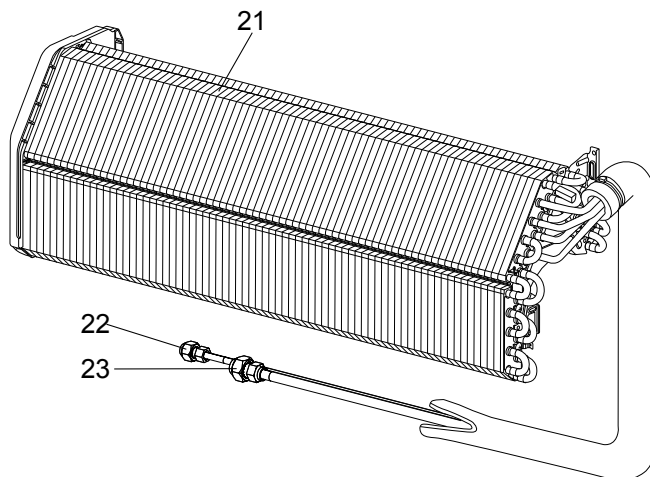
MSZ-SF42VE2-ER1

MSZ-SF50VE2-ER1

## 1-11. INDOOR UNIT ELECTRICAL PARTS AND FUNCTIONAL PARTS



## 1-12. INDOOR UNIT HEAT EXCHANGER



# RoHS PARTS LIST

## 1-11. INDOOR UNIT ELECTRICAL PARTS AND FUNCTIONAL PARTS

No.	RoHS	Part No.	Part name	Symbol in Wiring Diagram	Q'ty/unit								Remarks
					MSZ-SF								
					25		35		42		50		
					VE -ER2	VE2 -ER1	VE -ER2	VE2 -ER1	VE -ER2	VE2 -ER1	VE -ER2	VE2 -ER1	
1	G	E12 751 509	BEARING MOUNT		1	1	1	1	1	1	1	1	
2	G	E12 001 504	SLEEVE BEARING		1	1	1	1	1	1	1	1	
3	G	E12 897 702	DRAIN HOSE		1	1	1	1	1	1	1	1	
4	G	E12 H14 235	NOZZLE ASSEMBLY		1	1	1	1	1	1	1	1	
5	G	E12 H14 040	VANE UPPER		1	1	1	1	1	1	1	1	
6	G	E12 H14 041	VANE LOWER		1	1	1	1	1	1	1	1	
7	G	E12 A89 303	VANE MOTOR	MV	2	2	2	2	2	2	2	2	UP & DOWN, 1 PC/SET
8	G	E12 H14 308	ROOM TEMPERATURE THERMISTOR	RT11	1	1	1	1	1	1	1	1	
9	G	E12 H14 095	DISPLAY P.C. BOARD HOLDER ASSEMBLY		1	1	1	1	1	1	1	1	
10	G	E12 F95 375	TERMINAL BLOCK	TB	1	1	1	1	1	1	1	1	
11	G	E12 J53 452	ELECTRONIC CONTROL P.C. BOARD ※1		1								
	G	E12 P83 452				1							
	G	E12 J54 452					1						
	G	E12 P84 452						1					
	G	E12 J55 452							1				
	G	E12 P85 452								1			
	G	E12 J56 452									1		
12	G	E12 J53 440	POWER P.C. BOARD		1	1			1	1			
	G	E12 J55 440					1	1			1	1	
13	G	E12 H14 307	INDOOR COIL THERMISTOR	RT12, RT13	1	1	1	1	1	1	1	1	
14	G	E12 B75 385	VARISTOR	NR11	1	1	1	1	1	1	1	1	
15	G	E12 A49 382	FUSE	F11	1	1	1	1	1	1	1	1	T3.15AL250V
16	G	E12 F95 784	V.A. CLAMP		1	1	1	1	1	1	1	1	
17	G	E12 H14 541	WATER CUT ASSEMBLY		1	1	1	1	1	1	1	1	
18	G	E12 H14 300	INDOOR FAN MOTOR ※2	MF	1	1	1	1	1	1	1	1	RC0J21-□□
19	G	E12 F95 333	MOTOR BAND		1	1	1	1	1	1	1	1	
20	G	E12 H14 302	LINE FLOW FAN		1	1	1	1	1	1	1	1	

※1 Including RECEIVER BOARD, DISPLAY BOARD and SWITCH BOARD.

※2 Including FAN MOTOR RUBBER MOUNT (2 PCS/SET)

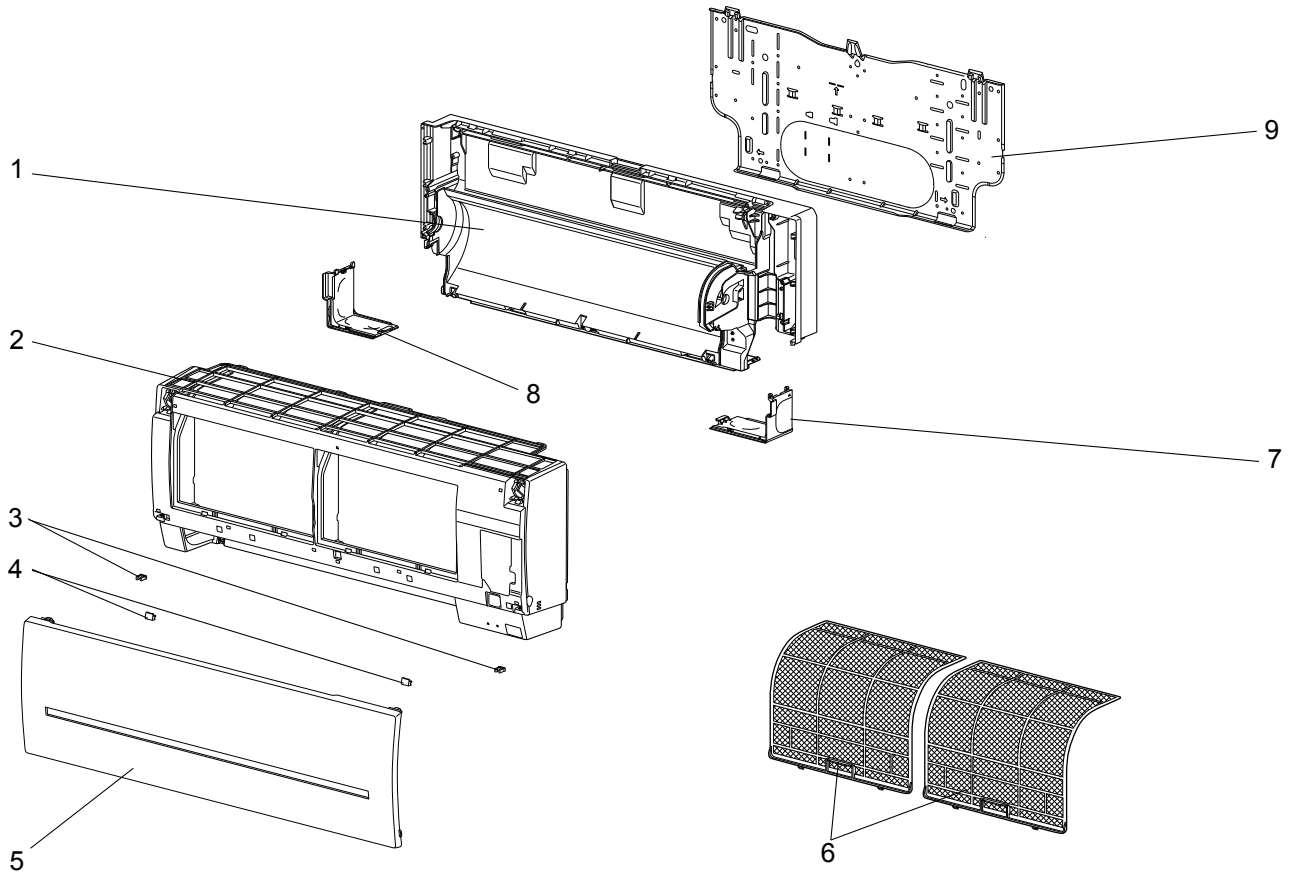
## 1-12. INDOOR UNIT HEAT EXCHANGER

No.	RoHS	Part No.	Part name	Symbol in Wiring Diagram	Q'ty/unit								Remarks
					MSZ-SF								
					25		35		42		50		
					VE -ER2	VE2 -ER1	VE -ER2	VE2 -ER1	VE -ER2	VE2 -ER1	VE -ER2	VE2 -ER1	
21	G	E12 H14 620	INDOOR HEAT EXCHANGER		1	1	1	1	1	1			
	G	E12 H17 620								1	1		
22	G	E12 151 667	UNION (LIQUID)		1	1	1	1	1	1	1	1	ø6.35
23	G	E12 815 666	UNION (GAS)		1	1	1	1	1	1			ø9.52
	G	E12 155 666								1	1		ø12.7

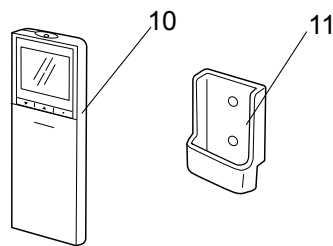
# RoHS PARTS LIST

MSZ-SF25VE3-   MSZ-SF35VE3-    
MSZ-SF42VE3-   MSZ-SF50VE3-  

## 1-13. INDOOR UNIT STRUCTURAL PARTS



## 1-14. ACCESSORY AND REMOTE CONTROLLER



# RoHS PARTS LIST

## 1-13. INDOOR UNIT STRUCTURAL PARTS

No.	RoHS	Part No.	Part name	Symbol in Wiring Diagram	Q'ty/unit								Remarks
					MSZ-SF								
					25		35		42		50		
					VE3 -E1	VE3 -EN1	VE3 -E1	VE3 -EN1	VE3 -E1	VE3 -EN1	VE3 -E1	VE3 -EN1	
1	G	E12 H14 234	BOX ASSEMBLY		1	1	1	1	1	1	1	1	
2	G	E12 W74 000	PANEL ASSEMBLY		1	1	1	1	1	1	1	1	Including No. 3,4,5
3	G	E12 F95 142	CATCH		2	2	2	2	2	2	2	2	2 PCS/SET
4	G	E12 913 067	SCREW CAP		2	2	2	2	2	2	2	2	2 PCS/SET
5	G	E12 W74 010	FRONT PANEL		1	1	1	1	1	1	1	1	
6	G	E12 W74 100	AIR PURIFYING FILTER		2	2	2	2	2	2	2	2	1 PC/SET
7	G	E12 H14 975	CORNER BOX RIGHT		1	1	1	1	1	1	1	1	
8	G	E12 H14 976	CORNER BOX LEFT		1	1	1	1	1	1	1	1	
9	G	E12 H14 970	INSTALLATION PLATE		1	1	1	1	1	1	1	1	

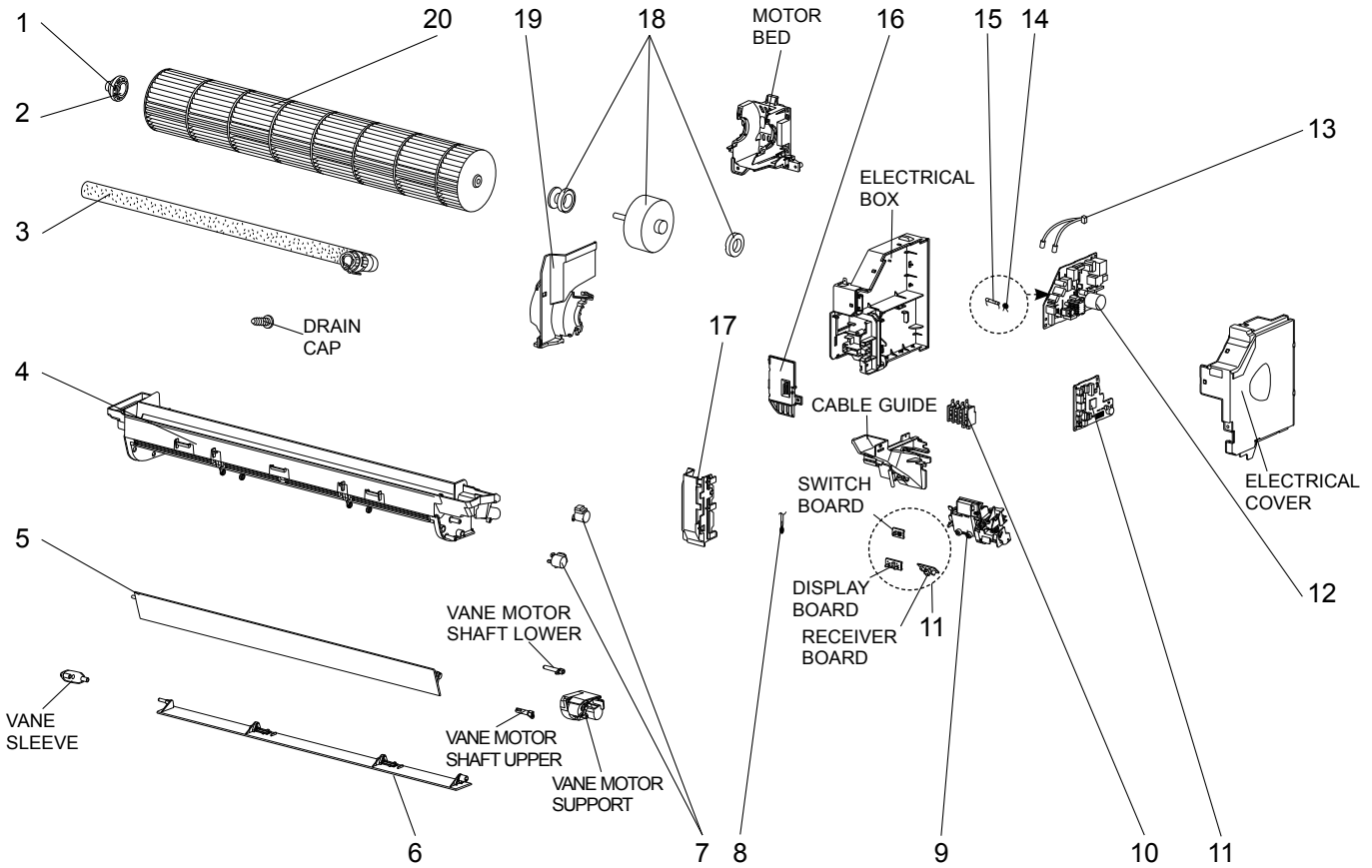
## 1-14. ACCESSORY AND REMOTE CONTROLLER

No.	RoHS	Part No.	Part name	Symbol in Wiring Diagram	Q'ty/unit								Remarks
					MSZ-SF								
					25		35		42		50		
					VE3 -E1	VE3 -EN1	VE3 -E1	VE3 -EN1	VE3 -E1	VE3 -EN1	VE3 -E1	VE3 -EN1	
10	G	E12 R80 426	REMOTE CONTROLLER		1	1	1	1	1	1	1	1	SG15D
11	G	E12 F28 083	REMOTE CONTROLLER HOLDER		1	1	1	1	1	1	1	1	

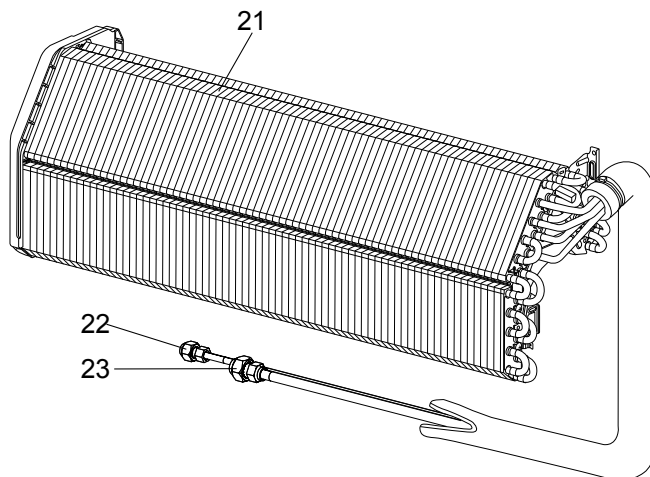
# RoHS PARTS LIST

MSZ-SF25VE3- E1, EN1 MSZ-SF35VE3- E1, EN1  
 MSZ-SF42VE3- E1, EN1 MSZ-SF50VE3- E1, EN1

## 1-15. INDOOR UNIT ELECTRICAL PARTS AND FUNCTIONAL PARTS



## 1-16. INDOOR UNIT HEAT EXCHANGER





# RoHS PARTS LIST

## 1-15. INDOOR UNIT ELECTRICAL PARTS AND FUNCTIONAL PARTS

No.	RoHS	Part No.	Part name	Symbol in Wiring Diagram	Q'ty/unit								Remarks
					MSZ-SF								
					25		35		42		50		
VE3 -E1	VE3 -EN1	VE3 -E1	VE3 -EN1	VE3 -E1	VE3 -EN1	VE3 -E1	VE3 -EN1	VE3 -E1	VE3 -EN1				
1	G	E12 751 509	BEARING MOUNT		1	1	1	1	1	1	1	1	
2	G	E12 001 504	SLEEVE BEARING		1	1	1	1	1	1	1	1	
3	G	E12 897 702	DRAIN HOSE		1	1	1	1	1	1	1	1	
4	G	E12 H14 235	NOZZLE ASSEMBLY		1	1	1	1	1	1	1	1	
5	G	E12 H14 040	VANE UPPER		1	1	1	1	1	1	1	1	
6	G	E12 H14 041	VANE LOWER		1	1	1	1	1	1	1	1	
7	G	E12 A89 303	VANE MOTOR	MV	2	2	2	2	2	2	2	2	UP & DOWN, 1 PC/SET
8	G	E12 H14 308	ROOM TEMPERATURE THERMISTOR	RT11	1	1	1	1	1	1	1	1	
9	G	E12 H14 095	DISPLAY P.C. BOARD HOLDER ASSEMBLY		1	1	1	1	1	1	1	1	
10	G	E12 T21 375	TERMINAL BLOCK	TB	1	1	1	1	1	1	1	1	
11	G	E12 P83 452	ELECTRONIC CONTROL P.C. BOARD ※1		1	1							
	G	E12 P84 452					1	1					
	G	E12 P85 452							1	1			
	G	E12 P86 452									1	1	
12	G	E12 J53 440	POWER P.C. BOARD		1	1			1	1			
	G	E12 J55 440					1	1			1	1	
13	G	E12 H14 307	INDOOR COIL THERMISTOR	RT12, RT13	1	1	1	1	1	1	1	1	
14	G	E12 B75 385	VARISTOR	NR11	1	1	1	1	1	1	1	1	
15	G	E12 A49 382	FUSE	F11	1	1	1	1	1	1	1	1	T3.15AL250V
16	G	E12 F95 784	V.A. CLAMP		1	1	1	1	1	1	1	1	
17	G	E12 H14 541	WATER CUT ASSEMBLY		1	1	1	1	1	1	1	1	
18	G	E12 H14 300	INDOOR FAN MOTOR ※2	MF	1	1	1	1	1	1	1	1	RC0J21-□□
19	G	E12 F95 333	MOTOR BAND		1	1	1	1	1	1	1	1	
20	G	E12 H14 302	LINE FLOW FAN		1	1	1	1	1	1	1	1	

※1 Including RECEIVER BOARD, DISPLAY BOARD and SWITCH BOARD.

※2 Including FAN MOTOR RUBBER MOUNT (2 PCS/SET)

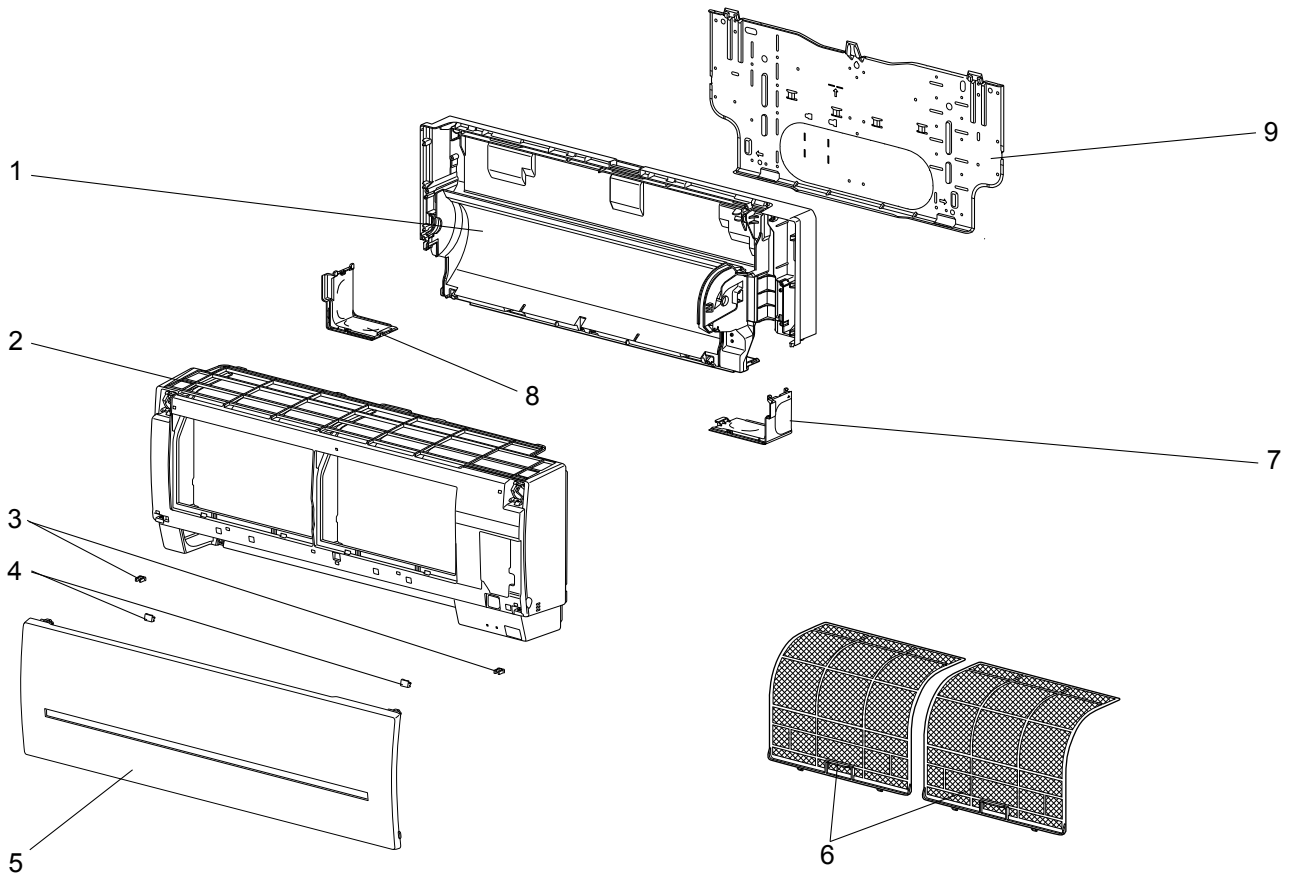
## 1-16. INDOOR UNIT HEAT EXCHANGER

No.	RoHS	Part No.	Part name	Symbol in Wiring Diagram	Q'ty/unit								Remarks
					MSZ-SF								
					25		35		42		50		
VE3 -E1	VE3 -EN1	VE3 -E1	VE3 -EN1	VE3 -E1	VE3 -EN1	VE3 -E1	VE3 -EN1	VE3 -E1	VE3 -EN1				
21	G	E12 H14 620	INDOOR HEAT EXCHANGER		1		1		1				
	G	E12 H90 620				1		1		1			
	G	E12 H17 620									1		
	G	E12 H93 620										1	
22	G	E12 151 667	UNION (LIQUID)		1	1	1	1	1	1	1	1	ø6.35
23	G	E12 815 666	UNION (GAS)		1	1	1	1	1	1			ø9.52
	G	E12 155 666									1	1	ø12.7

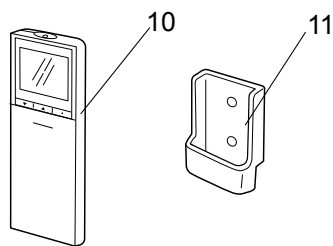
# RoHS PARTS LIST

MSZ-SF25VE3-ER1 MSZ-SF35VE3-ER1 MSZ-SF42VE3-ER1 MSZ-SF50VE3-ER1

## 1-17. INDOOR UNIT STRUCTURAL PARTS



## 1-18. ACCESSORY AND REMOTE CONTROLLER



# RoHS PARTS LIST

## 1-17. INDOOR UNIT STRUCTURAL PARTS

No.	RoHS	Part No.	Part name	Symbol in Wiring Diagram	Q'ty/unit				Remarks
					MSZ-SF				
					25	35	42	50	
					VE3- <del>ER1</del>	VE3- <del>ER1</del>	VE3- <del>ER1</del>	VE3- <del>ER1</del>	
1	G	E12 H14 234	BOX ASSEMBLY		1	1	1	1	
2	G	E12 W82 000	PANEL ASSEMBLY		1	1	1	1	Including No. 3,4,5
3	G	E12 F95 142	CATCH		2	2	2	2	2 PCS/SET
4	G	E12 913 067	SCREW CAP		2	2	2	2	2 PCS/SET
5	G	E12 W74 010	FRONT PANEL		1	1	1	1	
6	G	E12 W74 100	AIR PURIFYING FILTER		2	2	2	2	1 PC/SET
7	G	E12 H14 975	CORNER BOX RIGHT		1	1	1	1	
8	G	E12 H14 976	CORNER BOX LEFT		1	1	1	1	
9	G	E12 H14 970	INSTALLATION PLATE		1	1	1	1	

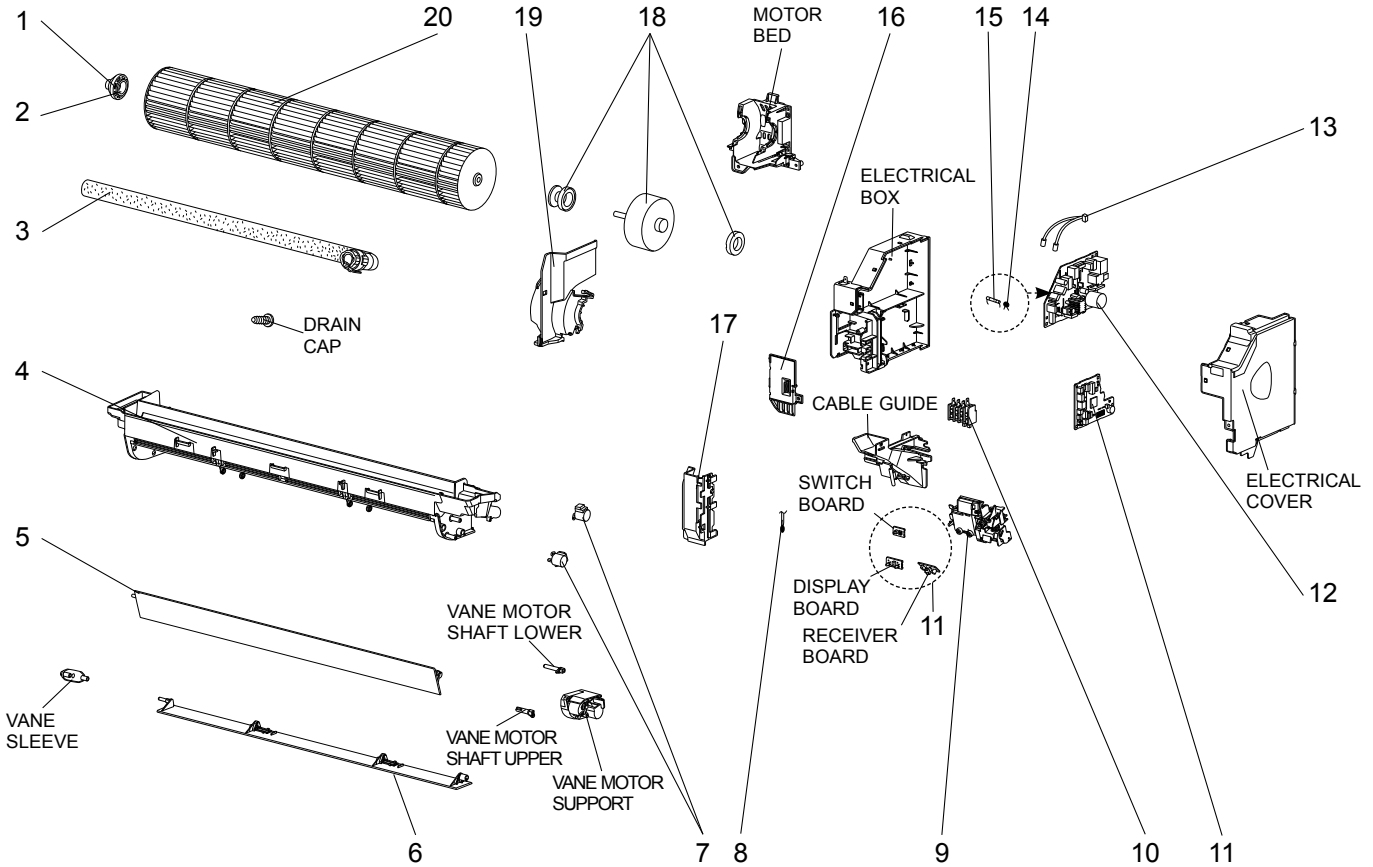
## 1-18. ACCESSORY AND REMOTE CONTROLLER

No.	RoHS	Part No.	Part name	Symbol in Wiring Diagram	Q'ty/unit				Remarks
					MSZ-SF				
					25	35	42	50	
					VE3- <del>ER1</del>	VE3- <del>ER1</del>	VE3- <del>ER1</del>	VE3- <del>ER1</del>	
10	G	E12 R80 426	REMOTE CONTROLLER		1	1	1	1	SG15D
11	G	E12 F28 083	REMOTE CONTROLLER HOLDER		1	1	1	1	

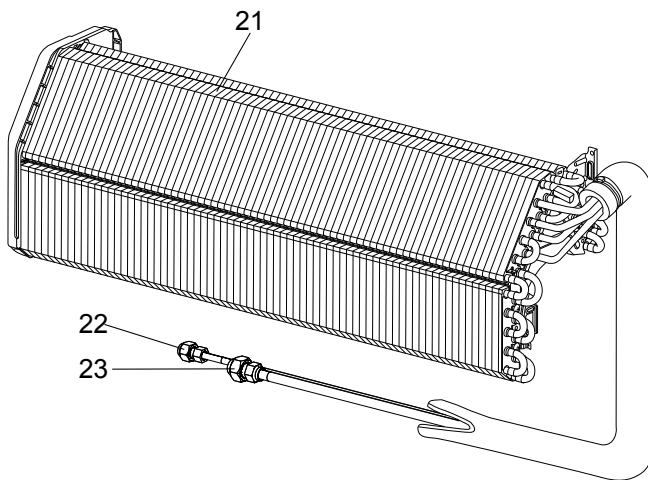
# RoHS PARTS LIST

MSZ-SF25VE3-ER1 MSZ-SF35VE3-ER1 MSZ-SF42VE3-ER1 MSZ-SF50VE3-ER1

## 1-19. INDOOR UNIT ELECTRICAL PARTS AND FUNCTIONAL PARTS



## 1-20. INDOOR UNIT HEAT EXCHANGER



# RoHS PARTS LIST

## 1-19. INDOOR UNIT ELECTRICAL PARTS AND FUNCTIONAL PARTS

No.	RoHS	Part No.	Part name	Symbol in Wiring Diagram	Q'ty/unit				Remarks
					MSZ-SF				
					25	35	42	50	
					VE3- <small>ER1</small>	VE3- <small>ER1</small>	VE3- <small>ER1</small>	VE3- <small>ER1</small>	
1	G	E12 751 509	BEARING MOUNT		1	1	1	1	
2	G	E12 001 504	SLEEVE BEARING		1	1	1	1	
3	G	E12 897 702	DRAIN HOSE		1	1	1	1	
4	G	E12 H14 235	NOZZLE ASSEMBLY		1	1	1	1	
5	G	E12 H14 040	VANE UPPER		1	1	1	1	
6	G	E12 H14 041	VANE LOWER		1	1	1	1	
7	G	E12 A89 303	VANE MOTOR	MV	2	2	2	2	UP & DOWN, 1 PC/SET
8	G	E12 H14 308	ROOM TEMPERATURE THERMISTOR	RT11	1	1	1	1	
9	G	E12 H14 095	DISPLAY P.C. BOARD HOLDER ASSEMBLY		1	1	1	1	
10	G	E12 T21 375	TERMINAL BLOCK	TB	1	1	1	1	
11	G	E12 P83 452	ELECTRONIC CONTROL P.C. BOARD ※1		1				
	G	E12 P84 452				1			
	G	E12 P85 452					1		
	G	E12 P86 452						1	
12	G	E12 J53 440	POWER P.C. BOARD		1		1		
	G	E12 J55 440				1		1	
13	G	E12 H14 307	INDOOR COIL THERMISTOR	RT12, RT13	1	1	1	1	
14	G	E12 B75 385	VARISTOR	NR11	1	1	1	1	
15	G	E12 A49 382	FUSE	F11	1	1	1	1	T3.15AL250V
16	G	E12 F95 784	V.A. CLAMP		1	1	1	1	
17	G	E12 H14 541	WATER CUT ASSEMBLY		1	1	1	1	
18	G	E12 H14 300	INDOOR FAN MOTOR ※2	MF	1	1	1	1	RC0J21-□□
19	G	E12 F95 333	MOTOR BAND		1	1	1	1	
20	G	E12 H14 302	LINE FLOW FAN		1	1	1	1	

※1 Including RECEIVER BOARD, DISPLAY BOARD and SWITCH BOARD.

※2 Including FAN MOTOR RUBBER MOUNT (2 PCS/SET)

## 1-20. INDOOR UNIT HEAT EXCHANGER

No.	RoHS	Part No.	Part name	Symbol in Wiring Diagram	Q'ty/unit				Remarks
					MSZ-SF				
					25	35	42	50	
					VE3- <small>ER1</small>	VE3- <small>ER1</small>	VE3- <small>ER1</small>	VE3- <small>ER1</small>	
21	G	E12 H14 620	INDOOR HEAT EXCHANGER		1	1	1		
	G	E12 H17 620						1	
22	G	E12 151 667	UNION (LIQUID)		1	1	1	1	ø6.35
23	G	E12 815 666	UNION (GAS)		1	1	1		ø9.52
	G	E12 155 666						1	ø12.7

## 2-1. AIR CLEANING FILTER

(ELECTROSTATIC ANTI-ALLERGY ENZYME FILTER: MSZ-SF-VE, MSZ-SF-VE2)

(SILVER-IONIZED AIR PURIFIER FILTER: MSZ-SF-VE3)

Every 3 months:

- Remove dirt by a vacuum cleaner.

**When dirt cannot be removed by vacuum cleaning:**

- Soak the filter and its frame in lukewarm water before rinsing it.
- After washing, dry it well in shade. Install all tabs of the air filter.

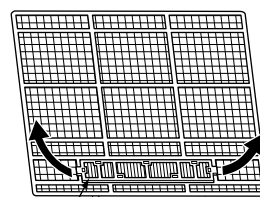
Every year:

- Replace it with a new air cleaning filter for best performance.

**NOTE 1:** Clean the filters regularly for best performance and to reduce power consumption.**NOTE 2:** Dirty filters cause condensation in the air conditioner which will contribute to the growth of fungi such as mold. It is therefore recommended to clean air filters every 2 weeks.

Model	Part No.
MSZ-SF25VE MSZ-SF35VE MSZ-SF42VE MSZ-SF50VE MSZ-SF25VE2 MSZ-SF35VE2 MSZ-SF42VE2 MSZ-SF50VE2	MAC-2320FT
MSZ-SF25VE3 MSZ-SF35VE3 MSZ-SF42VE3 MSZ-SF50VE3	MAC-2370FT-E

Pull to remove from the air filter



Air cleaning filter

MSZ-SF-VE, MSZ-SF-VE2

(Electrostatic anti-allergy enzyme filter)

MSZ-SF-VE3

(Silver-ionized air purifier filter)

## MITSUBISHI ELECTRIC CORPORATION

HEAD OFFICE: TOKYO BLDG., 2-7-3, MARUNOUCHI, CHIYODA-KU, TOKYO 100-8310, JAPAN

© Copyright 2011 MITSUBISHI ELECTRIC CORPORATION  
 Distributed in Jan. 2016. No.OBB600 REVISED EDITION-E  
 Distributed in Nov. 2014. No.OBB600 REVISED EDITION-D  
 Distributed in Dec. 2013. No.OBB600 REVISED EDITION-C  
 Distributed in Nov. 2012. No.OBB600 REVISED EDITION-B  
 Distributed in Jan. 2012. No.OBB600 REVISED EDITION-A  
 Distributed in Nov. 2011. No.OBB600  
 Made in Japan

New publication, effective Jan. 2016  
 Specifications are subject to change without notice.