

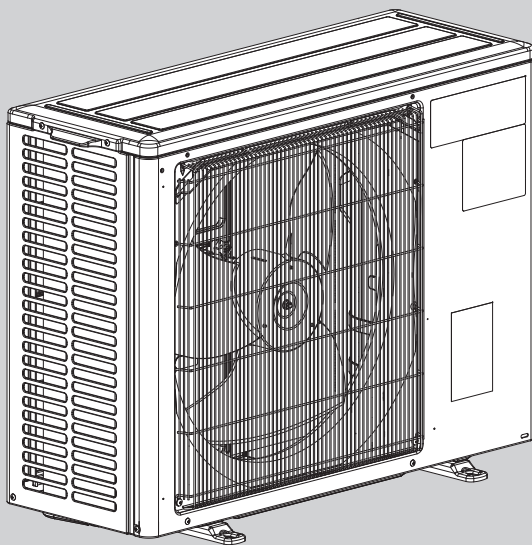
PARTS CATALOG

R32

Outdoor unit
[Model Name]

[Service Ref.]

PUZ-ZM35VKA2	PUZ-ZM35VKA2
PUZ-ZM50VKA2	PUZ-ZM50VKA2
PUZ-ZM35VKA2-ET	PUZ-ZM35VKA2-ET
PUZ-ZM50VKA2-ET	PUZ-ZM50VKA2-ET
PUZ-ZM35VKA2-ER	PUZ-ZM35VKA2-ER
PUZ-ZM50VKA2-ER	PUZ-ZM50VKA2-ER



CONTENTS

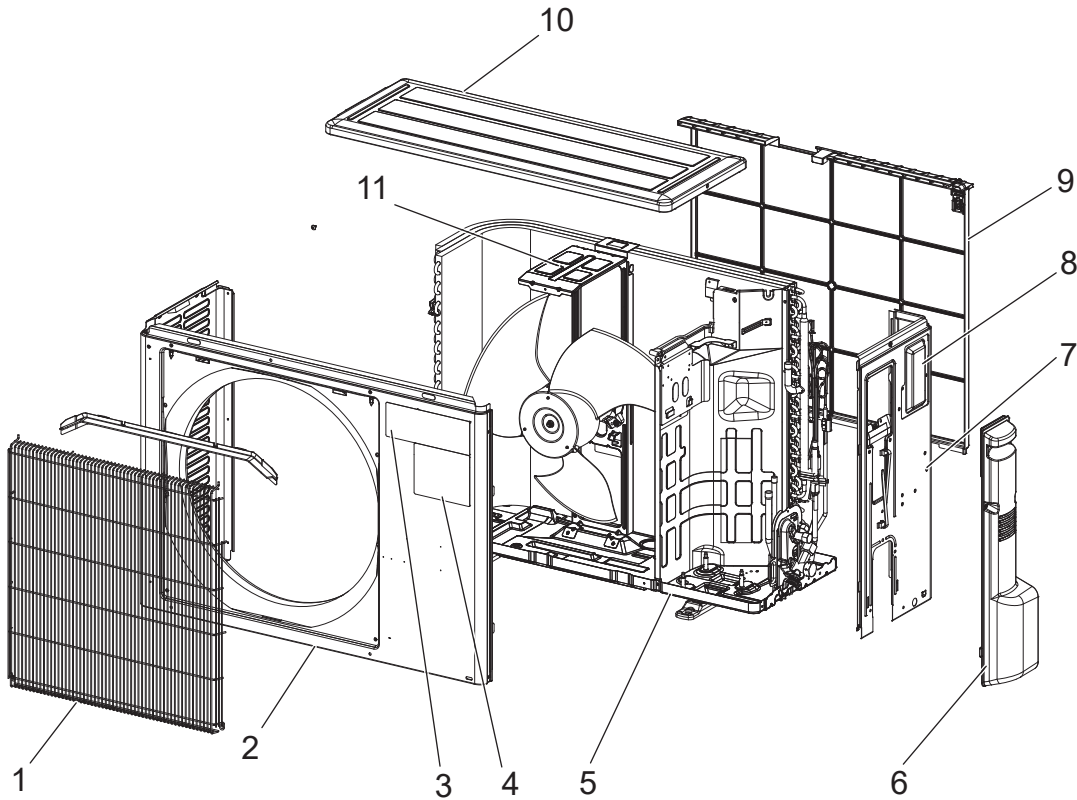
1. SERVICE PARTS LIST 2

SERVICE MANUAL (OCH751)

1

SERVICE PARTS LIST

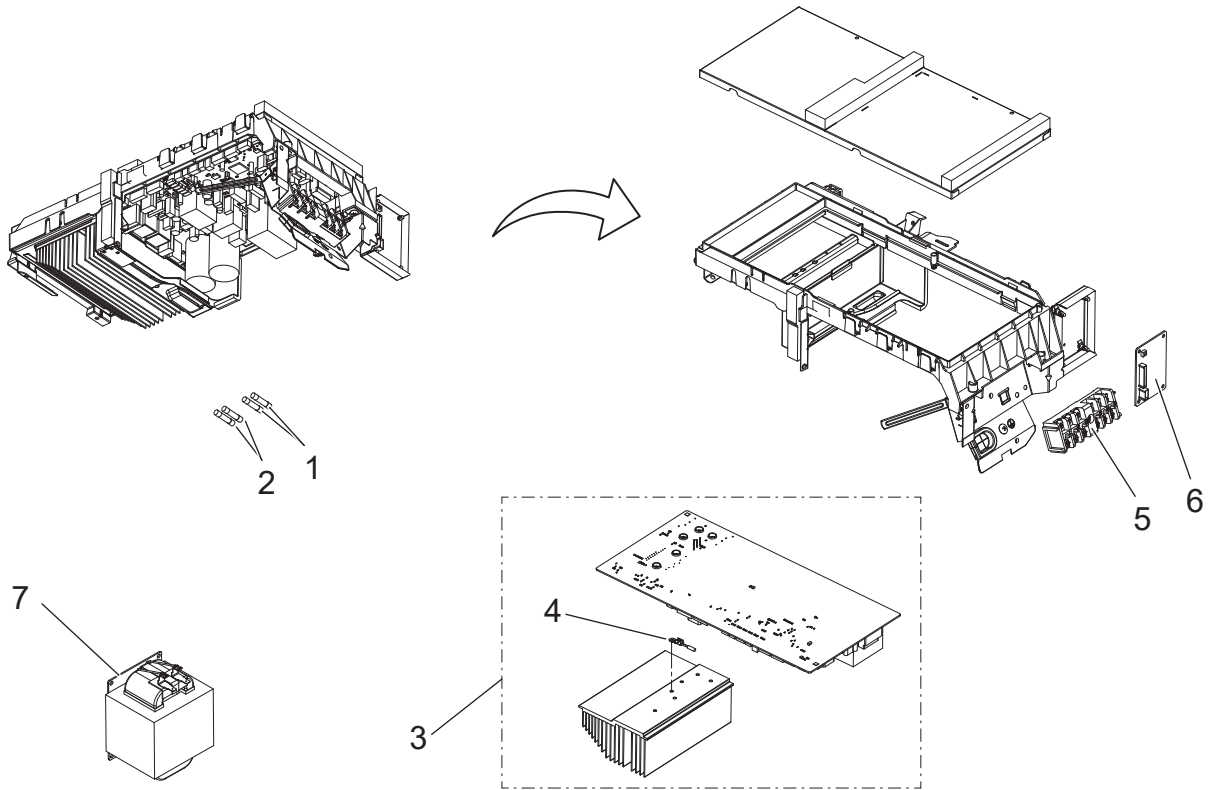
STRUCTURAL PARTS



1. The part quantity below indicates the required number of pieces per unit.
2. The circled No. indicates that the part is not shown in the figure.

No.	Parts No.	Parts Name							Wiring Diagram Symbol	Remarks
			PUZ-ZM35VKA2	PUZ-ZM50VKA2	PUZ-ZM35VKA2-ET	PUZ-ZM50VKA2-ET	PUZ-ZM35VKA2-ER	PUZ-ZM50VKA2-ER		
1	T7W E11 691	WIRE GRILLE	1	1	1	1	1	1		
2	R01 E21 668	FRONT PANEL	1	1	1	1	1	1		
3	R01 A13 005	BRAND LABEL	1	1	1	1	1	1		
4	T7W A12 005	BRAND LABEL (MR.SLIM)	1	1	1	1	1	1		
5	R01 E43 686	BASE ASSY	1	1	1	1	1	1		
6	R01 E28 667	SERVICE PANEL	1	1	1	1	1	1		
7	T7W H14 682	BACK PANEL	1	1				1	1	Includes SERVICE PLATE
7	T7W H15 682	BACK PANEL			1	1				Includes SERVICE PLATE
8	R01 E03 633	SERVICE PLATE	1	1	1	1	1	1		
9	R01 E05 684	REAR GUARD	1	1	1	1	1	1		
10	T7W E15 641	TOP PANEL	1	1	1	1	1	1		
11	R01 E46 130	MOTOR SUPPORT	1	1	1	1	1	1		

ELECTRICAL PARTS



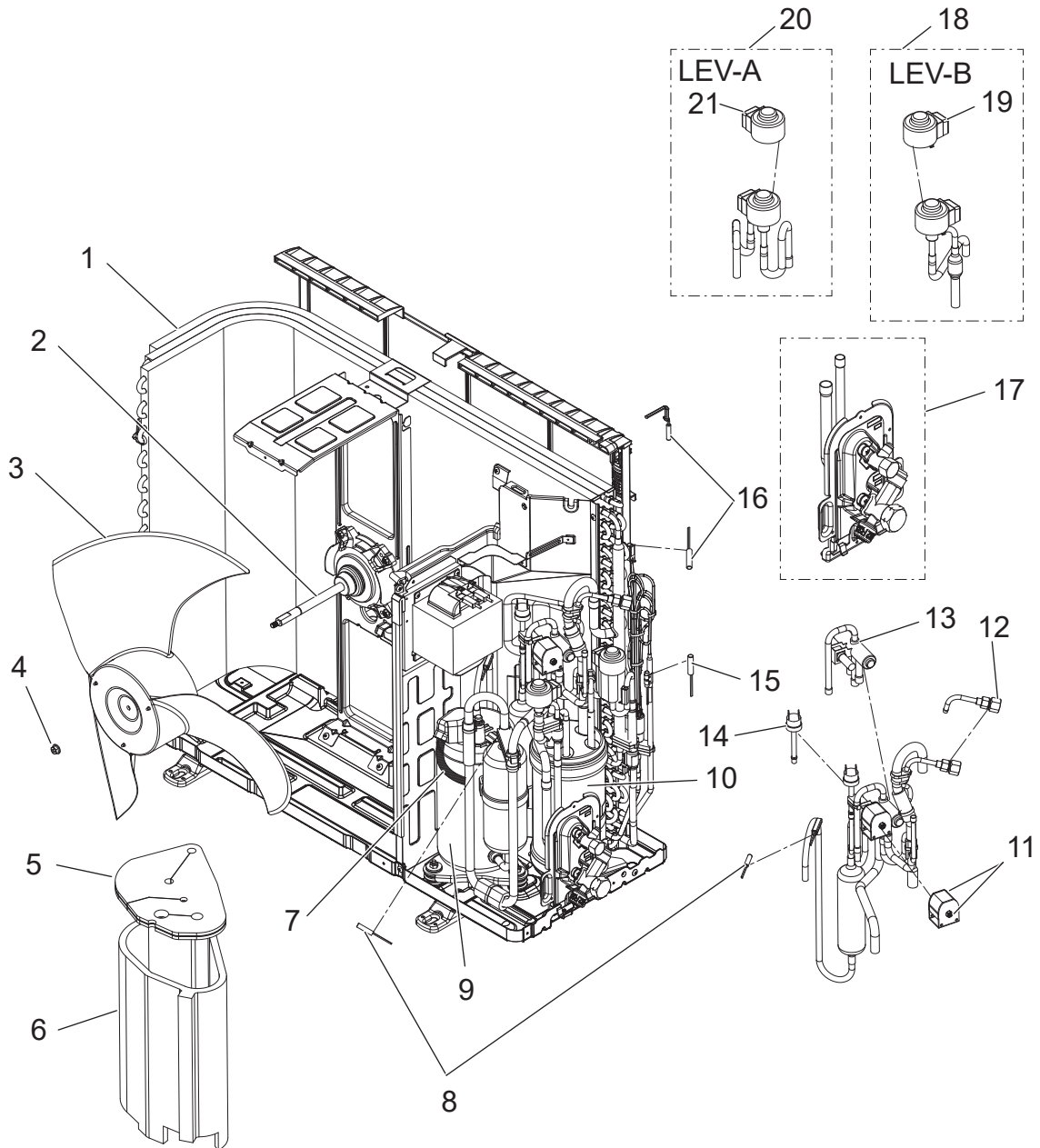
1. The part quantity below indicates the required number of pieces per unit.
 2. The circled No. indicates that the part is not shown in the figure.

No.	Parts No.	Parts Name	PUZ-ZM35VKA2	PUZ-ZM50VKA2	PUZ-ZM35VKA2-ET	PUZ-ZM50VKA2-ET	PUZ-ZM35VKA2-ER	PUZ-ZM50VKA2-ER	Wiring Diagram Symbol	Remarks
1	R01 E21 239	FUSE 10A 250V	2	2	2	2	2	2	F1, F2	
2	R01 E17 239	FUSE 3.15A 250V	2	2	2	2	2	2	F3, F4	
3	T7W S34 315	CONTROLLER BOARD	1	1	1	1	1	1	C.B.	
4	R01 M11 202	THERMISTOR(HS)	1	1	1	1	1	1	TH8 (Heat Sink)	
5	T7W E71 716	T.B./LNE.S1.S2.S3	1	1	1	1	1	1	TB1	
6	R01 E01 316	SWITCH BOARD	1	1	1	1	1	1	S.B.	
7	T7W E36 259	REACTOR	1	1	1	1	1	1	ACL	

FUNCTIONAL PARTS

PUZ-ZM35VKA2
PUZ-ZM35VKA2-ET
PUZ-ZM35VKA2-ER

PUZ-ZM50VKA2
PUZ-ZM50VKA2-ET
PUZ-ZM50VKA2-ER



1. The part quantity below indicates the required number of pieces per unit.
2. The circled No. indicates that the part is not shown in the figure.

No.	Parts No.	Parts Name	PUZ-ZM35VKA2	PUZ-ZM50VKA2	PUZ-ZM35VKA2-ET	PUZ-ZM50VKA2-ET	PUZ-ZM35VKA2-ER	PUZ-ZM50VKA2-ER	Wiring Diagram Symbol	Remarks
1	R 01 H 50 4 0 8	HEAT EXCHANGER	1	1	1	1	1	1		
2	R 01 E 55 2 2 1	FAN MOTOR	1	1	1	1	1	1	MF1	
3	R 01 E 11 1 1 5	PROPELLER FAN	1	1	1	1	1	1		
4	R 01 E 03 0 9 7	NUT M6-L	1	1	1	1	1	1		
5	R 01 A 53 6 0 2	COMP FELT(TOP)	1	1	1	1	1	1		
6	R 01 A 52 6 0 2	COMP FELT(BODY)	1	1	1	1	1	1		
7	R 01 E 11 5 1 0	LEAD ASSY COMP	1	1	1	1	1	1		
8	R 01 N 24 2 0 2	THERMISTOR DS	1	1	1	1	1	1	TH33 (Compressor) TH4 (Discharge)	
9	T 97 4 2 5 6 0 7	COMPRESSOR	1	1	1	1	1	1	MC	SVB140FFSM Includes RUBBER MOUNTS
10	T 7W R 01 4 4 0	POWER RECEIVER	1	1	1	1	1	1		
11	T 7W H 01 2 4 2	SOLENOID COIL(21S4)	1	1	1	1	1	1	21S4	Includes SCREW
12	R 01 E 31 4 1 3	CHARGE PLUG/LB90	1	1	1	1	1	1		
13	R 01 E 41 4 0 3	4WAY VALVE	1	1	1	1	1	1	21S4	
14	R 01 H 06 2 0 8	HIGH PRESSURE SWITCH	1	1	1	1	1	1	63H	
15	R 01 N 25 2 0 2	THERMISTOR	1	1	1	1	1	1	TH3 (Liquid)	
16	R 01 H 83 2 0 2	THERMISTOR W	1	1	1	1	1	1	TH6 (2-Phase Pipe) TH7 (Ambient)	Combined Port
17	T 7W E 10 4 1 0	STOP VALVE ASSY	1	1	1	1	1	1		Includes STRAINER
18	R 01 R 90 4 0 1	LEV ASSY-B/REC-V	1	1	1	1	1	1	LEV-B	
19	R 01 H 38 2 4 2	COIL(LEV)/XAP-5P RED	1	1	1	1	1	1	LEV-B	
20	R 01 R 15 4 0 1	LEV ASSY-A/C-REC	1	1	1	1	1	1	LEV-A	
21	R 01 H 37 2 4 2	COIL(LEV)/XAP-5P WH	1	1	1	1	1	1	LEV-A	

Mr. SLIM

mitsubishi electric corporation

HEAD OFFICE: TOKYO BUILDING, 2-7-3, MARUNOUCHI, CHIYODA-KU, TOKYO 100-8310, JAPAN